

GENERAL CATALOGUE

PREMIUM HYDRAULIC VALVES
2018



GENERAL TERMS

1. Technical Modifications

Technical specifications and drawings are subject to change without notice.

2. Warranty

Products are covered by warranty for a period of 12 months with effect from the date of shipment from OMPI srl premises.

3. Jurisdiction

Sole jurisdiction for the settlement of any disputes involving OMPI srl lies with the Law Court of Reggio Emilia, Italy.

TECHNICAL SPECIFICATIONS

1. Seals

Standard seals are made of Acryl-Nitrile Butadiene NBR (BUNA-N), their working temperature range is between -20°C and +90°C.

2. Storage

Valves are supposed to be stored in their original packing and not exposed to the direct sun light or sources of heat or ozone.

Recommended storage temperature is between -10°C and +50°C.

3. Fluid Filtration

Statistically over 70% of the hydraulic failures are due to fluid contamination.

We recommend the following filtration levels:

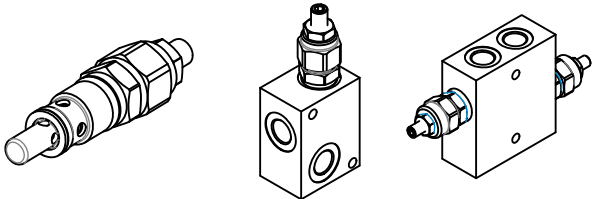
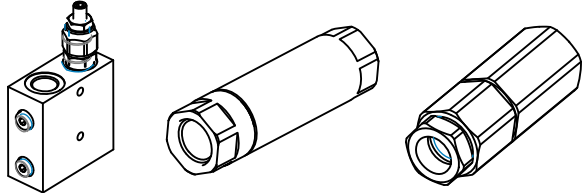
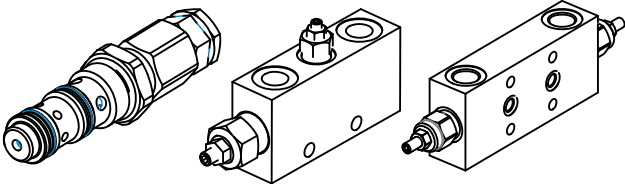
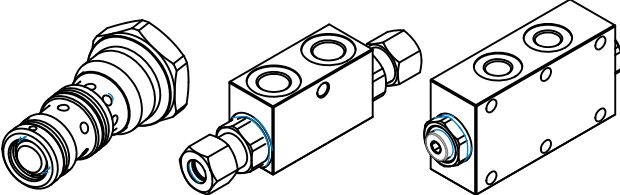
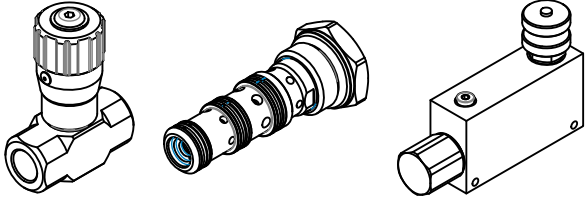
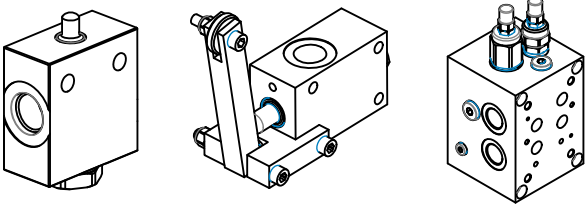
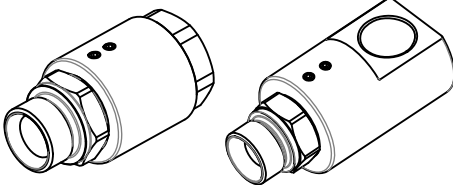
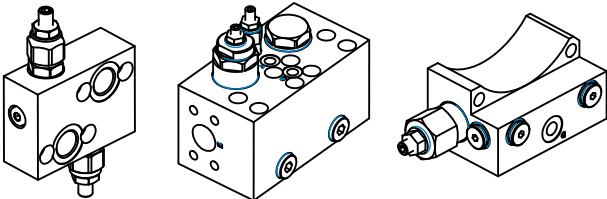
SYSTEM WORKING PRESSURE	NOMINAL FILTRATION	CONTAMINATION CLASS
> 250 bar	10 µm	ISO 4406: 17/14 NAS 1638: 8
between 100-250 bar	15 µm	ISO 4406: 18/14 NAS 1638: 9
< 100 bar	25 µm	ISO 4406: 19/15 NAS 1638: 10-11

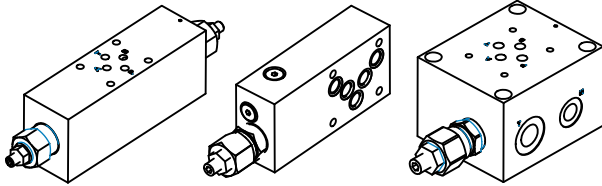
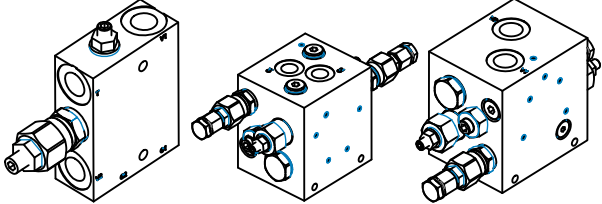

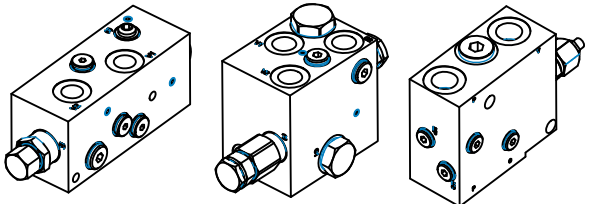
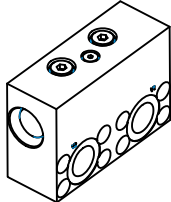
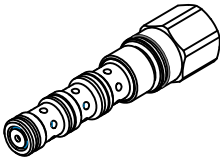
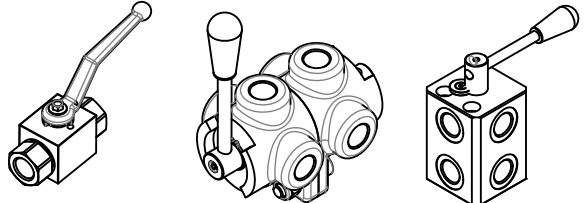
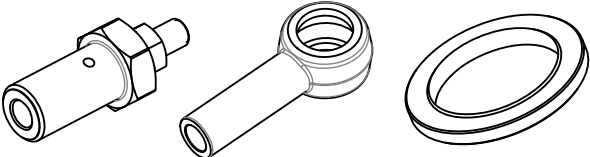
4. Internal Leakage

Under the normal run of things our valves have a leak proof seat design allowing a max leakage of 15/20 drops per minute with 46 cSt oil at 40°C. Leakages tend to decrease considerably or vanish totally after few seconds of rest of the valve.

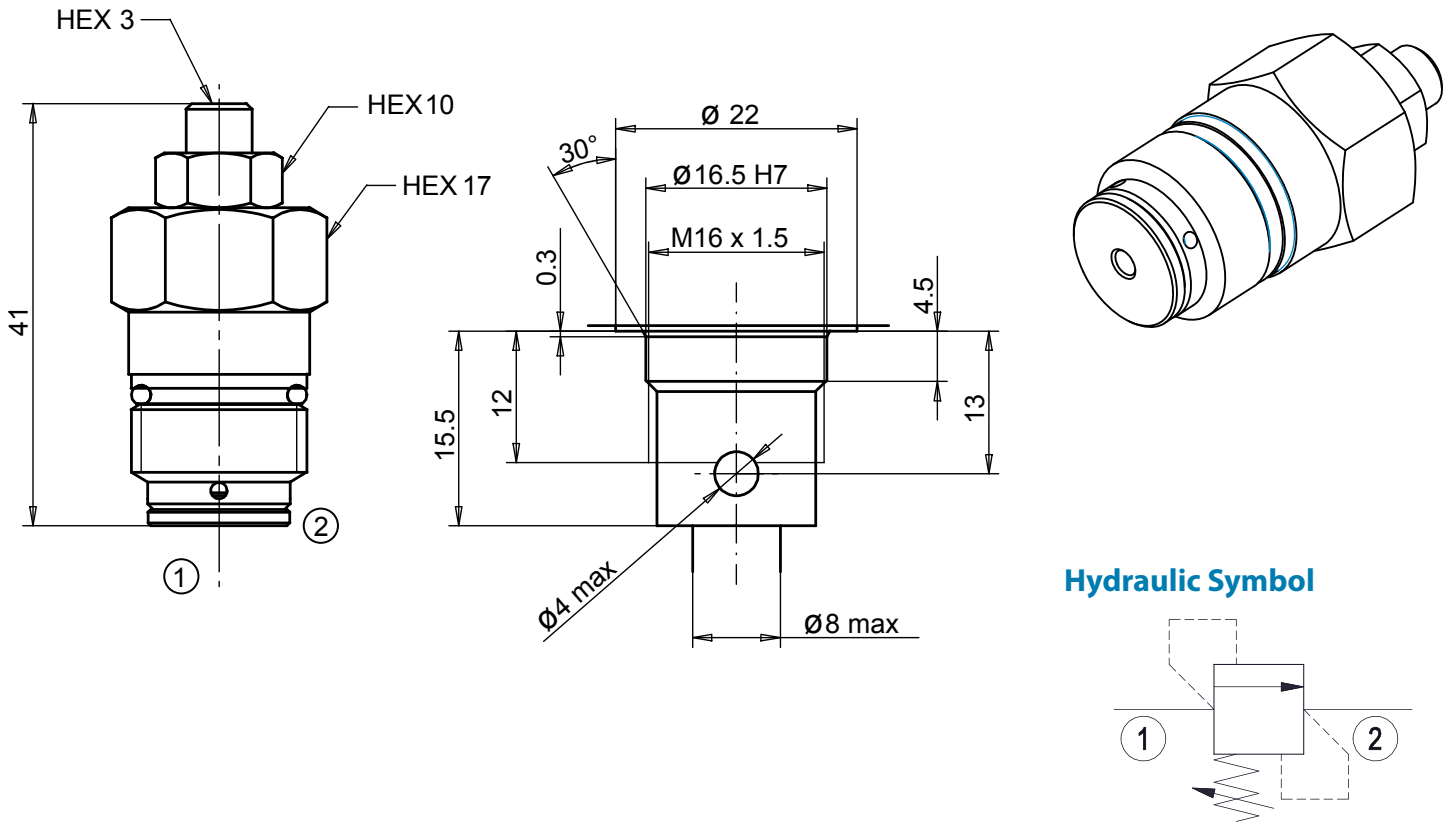
5. Pressure Setting

Basically valves are set at standard values. Whenever the application requires a specific setting make sure not to exceed the pressure range indicated.

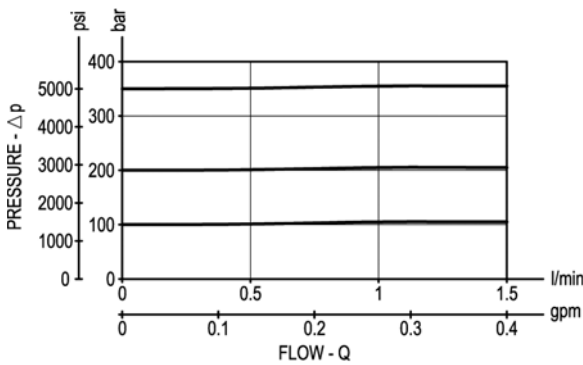
SECTION		PAGE
PRESSURE CONTROL VALVES		005/00
SEQUENCE VALVES		041/00
COUNTERBALANCE VALVES		050/00
CHECK VALVES		070/00
FLOW CONTROL VALVES		120/00
SPECIAL APPLICATIONS		150/00
SWIVEL JOINTS		160/00
MOTOR MOUNTED VALVES		170/00

SECTION		PAGE
CETOP VALVES		200/00
ROTATION CONTROL VALVES		210/00
MOTION CONTROL VALVES		220/00
REGENERATIVE CIRCUIT VALVES		230/00
PURGE VALVES		240/00
DIRECTIONAL CONTROL VALVES		250/00
FLOW SELECTORS		260/00
ANCILLARY PRODUCTS		285/00

Dimensions



Curves



Features

Max Pressure	400 bar
Max Flow	1,5 lpm
Installation torque	35-44 Nm


Materials: Zinc plated steel cartridge, hardened steel inner parts.

Ordering Code

PRC 1 -- -

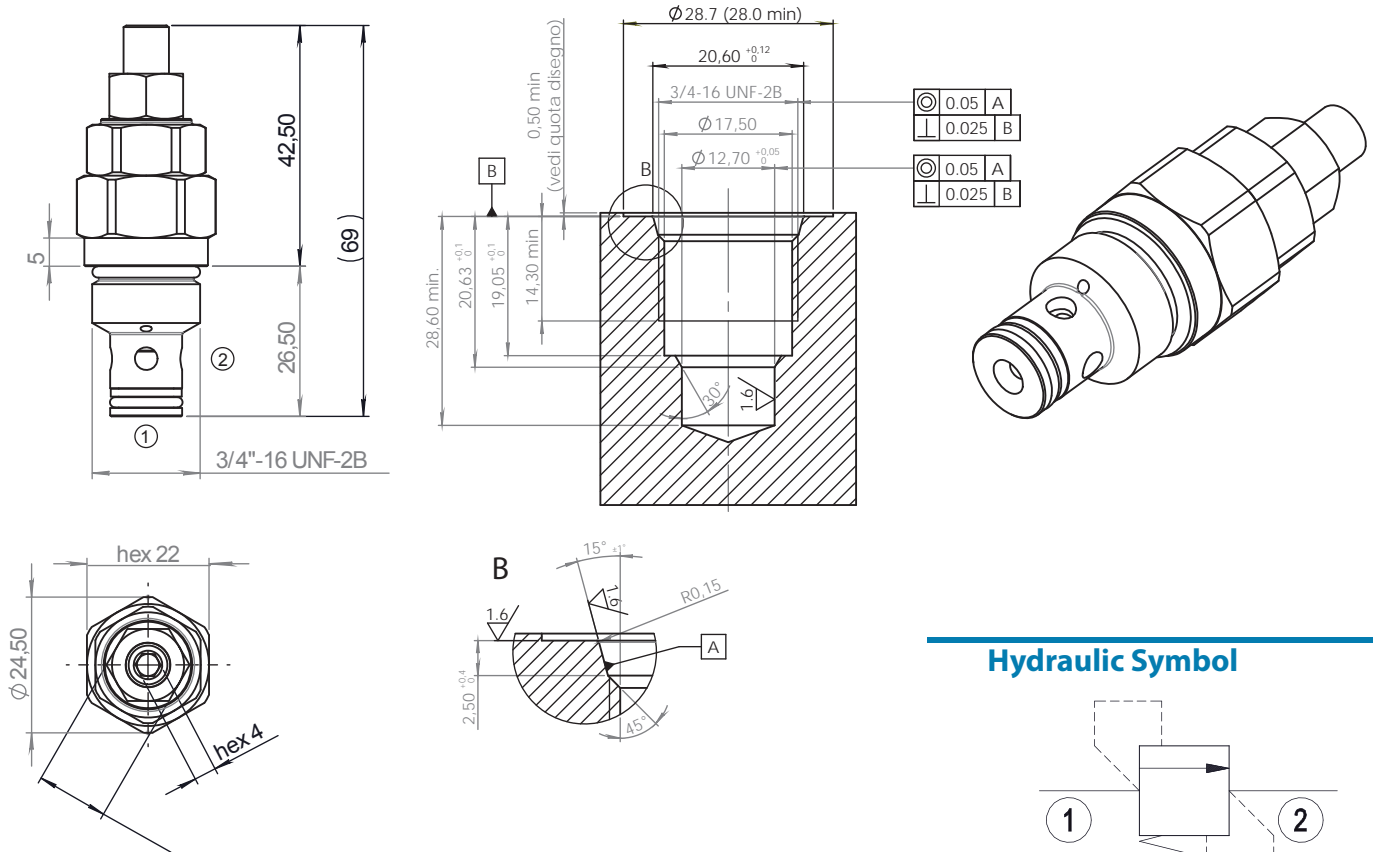
	Spring (bar)
20	100-210
30	200-400

Adjustments

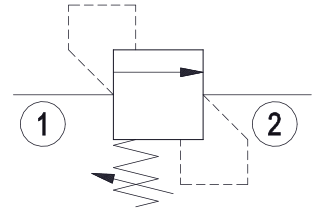
A	 Socket Screw
---	--

Ordering Code Example: PRC120A = 100-210 bar setting range, Socket Screw adjustment.

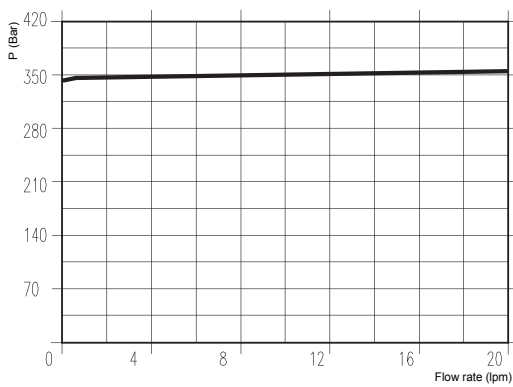
Dimensions



Hydraulic Symbol



Curves



Features

Max Flow	20 lpm
Max Pressure	350 bar
Installation Torque	45-50 Nm

Materials: Zinc plated steel cartridge, hardened steel inner parts.

Ordering Code

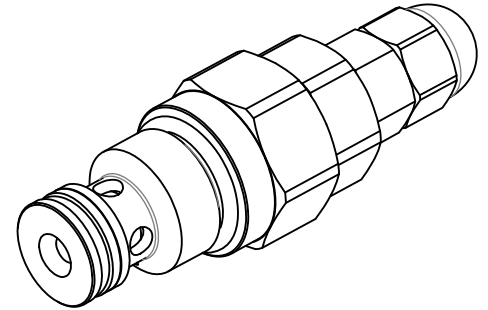
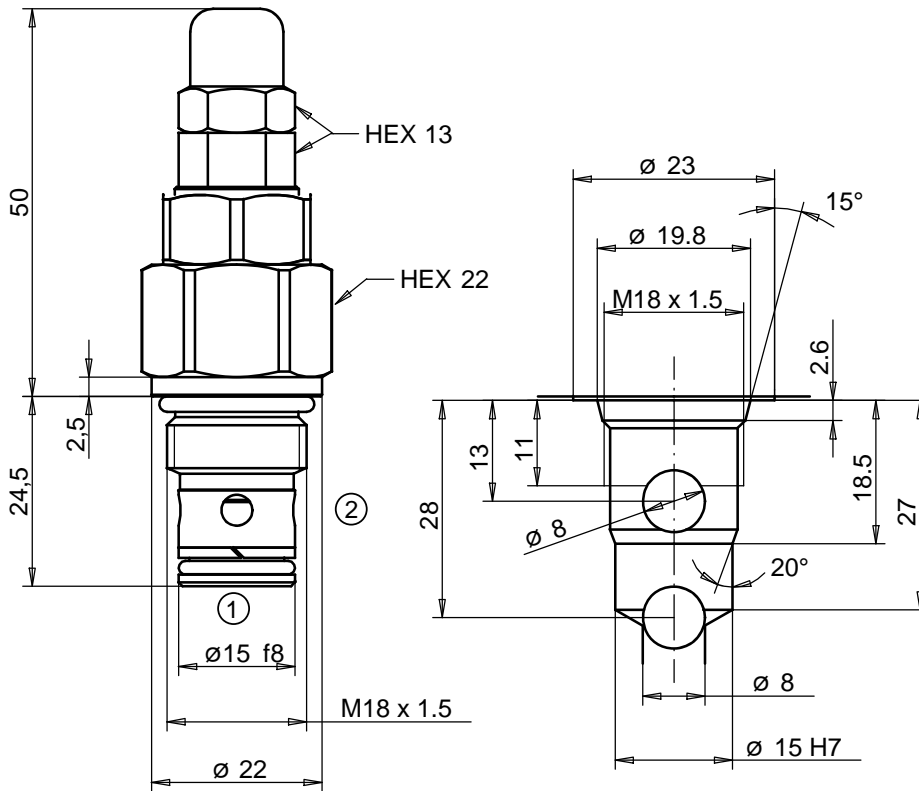
PRC 20 -- -

Spring (bar)	
10	5-100
30	50-350

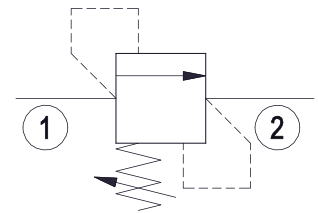
Adjustments		
A		Socket Screw
C		Tamperproof Cap

Ordering Code Example: PRC2030A = 50-350 bar setting range, Socket screw adjustment.

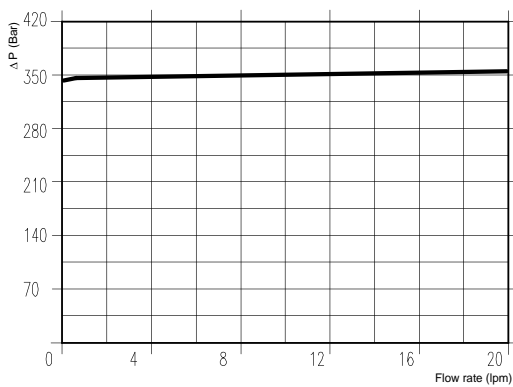
Dimensions



Hydraulic Symbol



Curves



Features

Max Pressure	350 bar
Max Flow	20 lpm
Installation torque	35-40 Nm

Materials: Zinc plated steel cartridge, hardened steel inner parts.

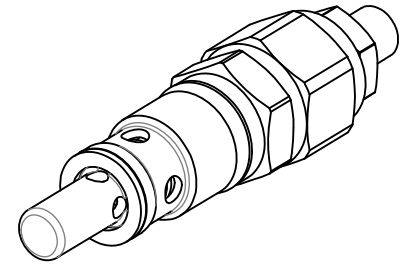
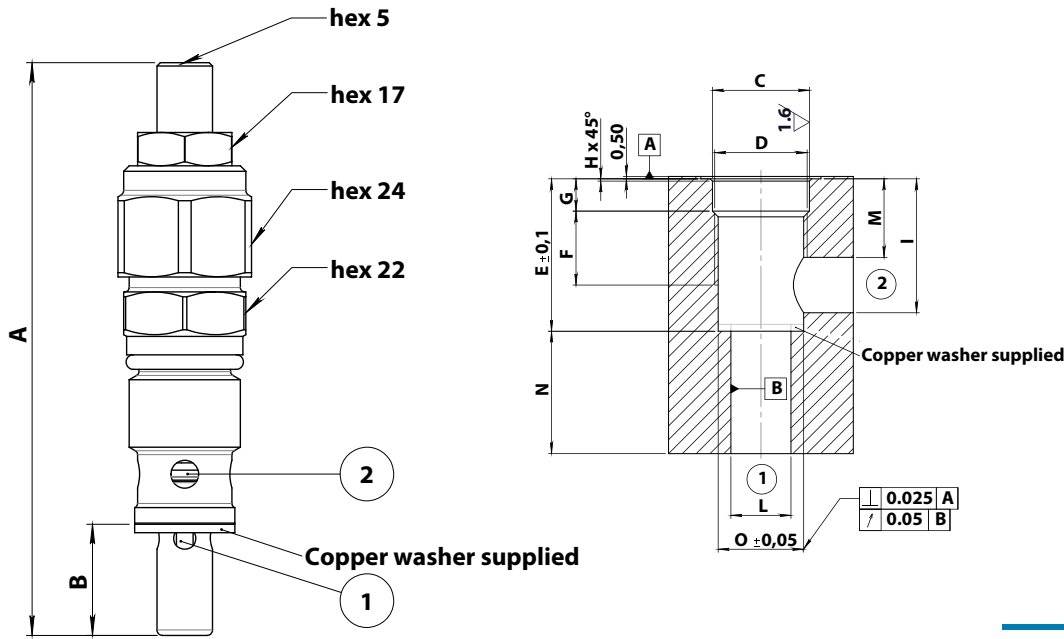
Ordering Code

PRC 20M18 --

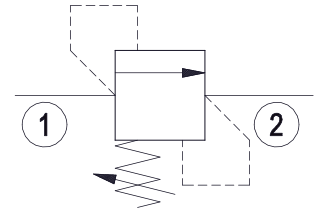
	Spring (bar)
10	5-50
30	10-210

Ordering Code Example: PRC20M1830 = 10-210 bar setting range, Socket Screw adjustment.

Dimensions

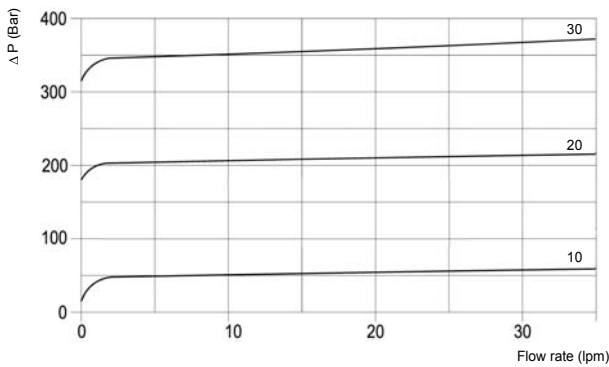


Hydraulic Symbol



Size	A max	B	C	D	E	F	G	H	I max	L max	M max	N min	O min	Weight kg
35	103	20	21 H7	M20x1,5	33	16	7	0,5	29	13	17	20	18,5	0,16

Curves



Features

Rated Flow	35 lpm
Max Pressure	350 bar
Installation Torque	45-50 Nm

Materials: Zinc plated steel cartridge, hardened steel inner parts.

Ordering Code

PRC 35

--

-

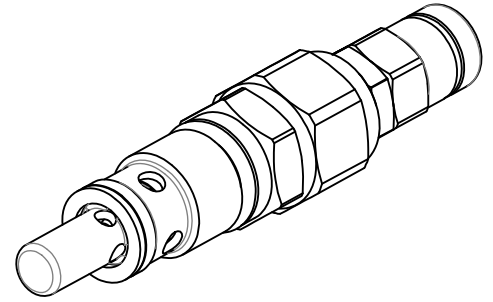
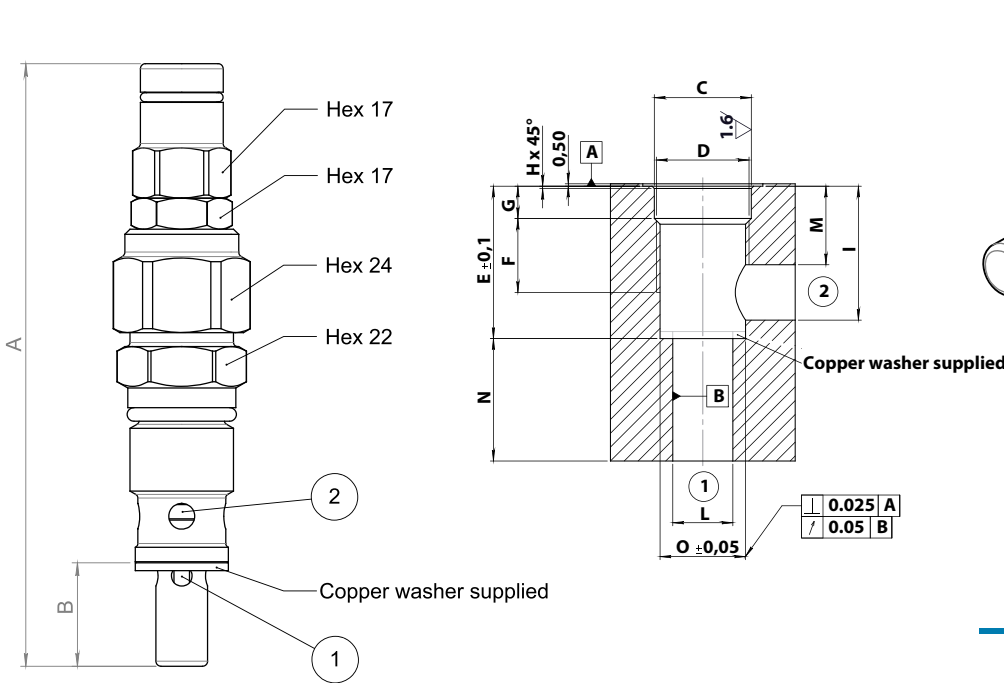
	Spring (bar)
10	5-50
20	40-210
30	100-350

Adjustments

A		Socket Screw
B		Handknob
C		Tamperproof Cap

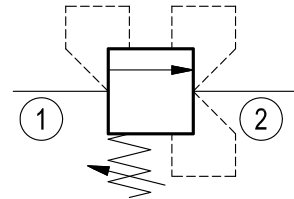
Ordering Code Example: PRC3520A - 40-210 bar setting range, Socket screw adjustment.

Dimensions

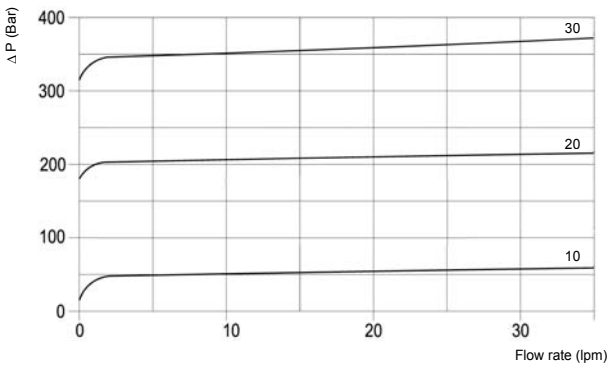


Size	A	B	C	D	E	F	G	H	I max	L max	M max	N min	O	Weight kg
35	116,5	20	21 H7	M20x1,5	33	16	7	0,5	29	13	17	20	18,5	0,16

Hydraulic Symbol



Curves



Features

Rated Flow	35 lpm
Max Pressure	350 bar
Installation Torque	45-50 Nm

Materials: Zinc plated steel cartridge, hardened steel inner parts.

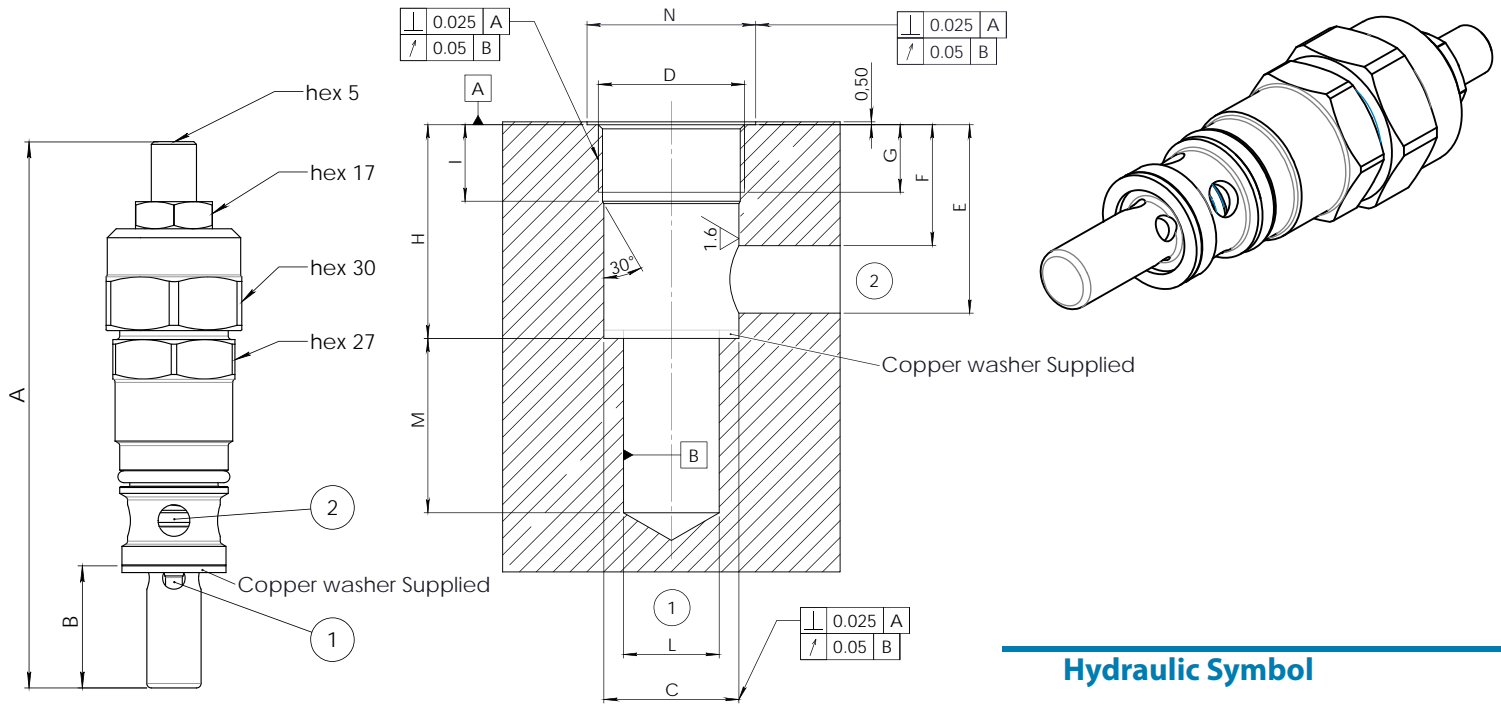
Ordering Code

PRC 35CC --

	Spring (bar)
10	5-50
20	40-210
30	100-350

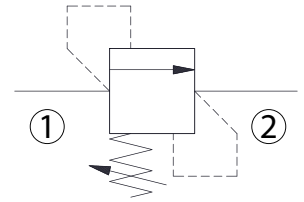
Ordering Code Example: PRC35CC20 - 40-210 bar setting range.

Dimensions

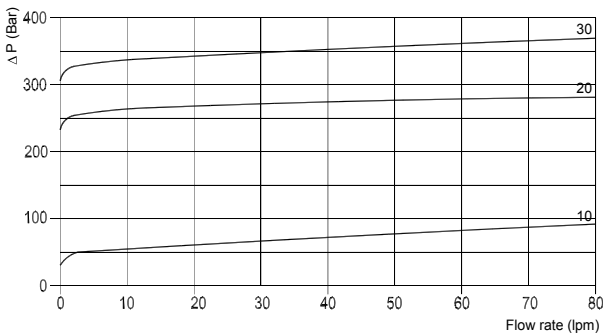


Size	A max	B	C	D	E	F	G	H	I	L	M min	N	Weight kg
80	120	27	24 H7	M26x1,5	33,5	21,5	12	38	13,6	17	28	30	0,29

Hydraulic Symbol



Curves



Features

Rated Flow	80 lpm
Max Pressure	350 bar
Installation Torque	70-80 Nm

Materials: Zinc plated steel cartridge, hardened steel inner parts.

Ordering Code

PRC 80

--

-

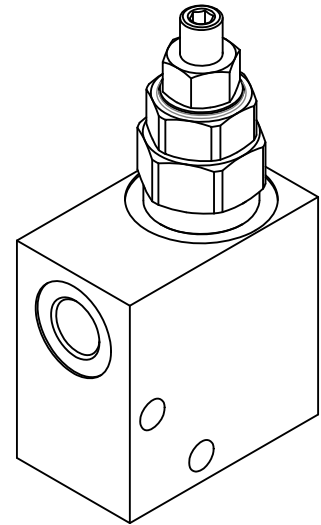
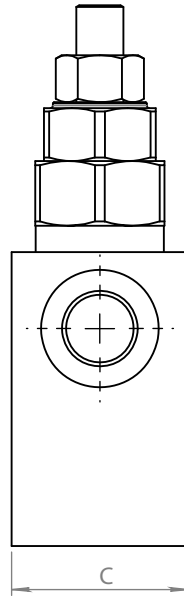
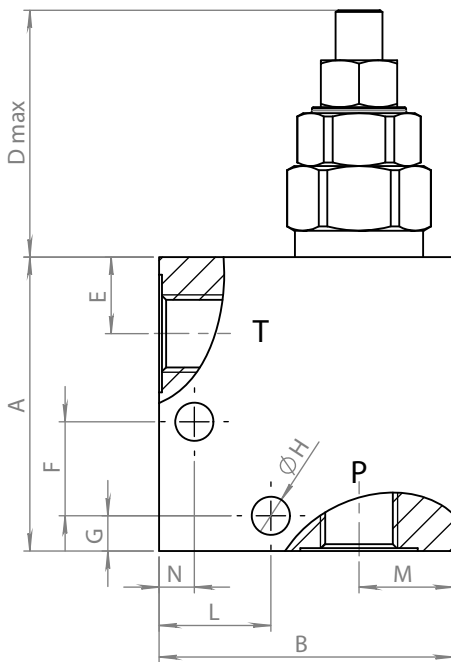
	Spring (bar)
10	5-50
20	30-260
30	130-350

Adjustments

A		Socket Screw
B		Handknob
C		Tamperproof Cap

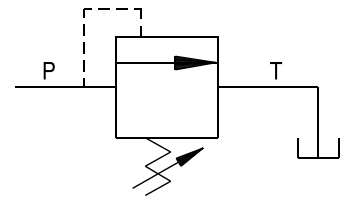
Ordering Code Example: PRC8020A - 30-260 bar setting range, Socket screw adjustment.

Dimensions

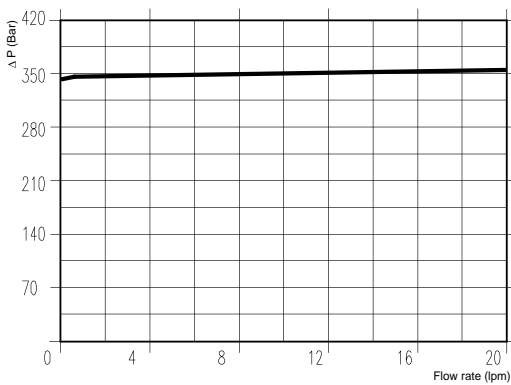


Size	A	B	C	D	E	F	G	H	L	M	N	P-T BSP	Weight kg
01	50	50	30	40	13	16	6	6,5	19	16	6	1/4	0,53
02	50	50	30	40	13	16	6	6,5	19	16	6	3/8	0,51

Hydraulic Symbol



Curves



Features

Rated Flow	20 lpm
Max Pressure	350 bar

Materials: Zinc plated steel cartridge, hardened steel inner parts.
Aluminium manifold.

Ordering Code

PRL 20 -- -- -

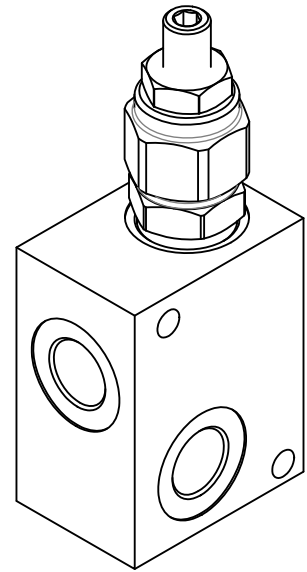
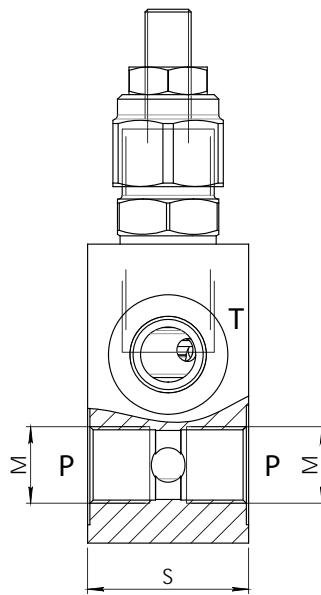
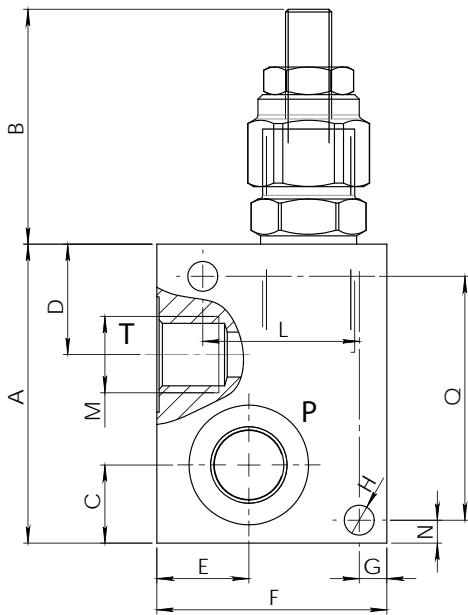
Port Size BSP		Spring (bar)	
01	1/4	10	5-100
02	3/8	30	50-350

Adjustments

A		Socket Screw
----------	--	--------------

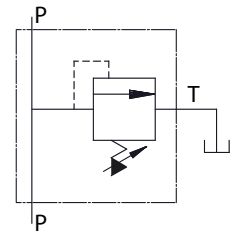
Ordering Code Example: PRL200230A - 3/8 BSP - 50-350 bar setting range, Socket screw adjustment.

Dimensions

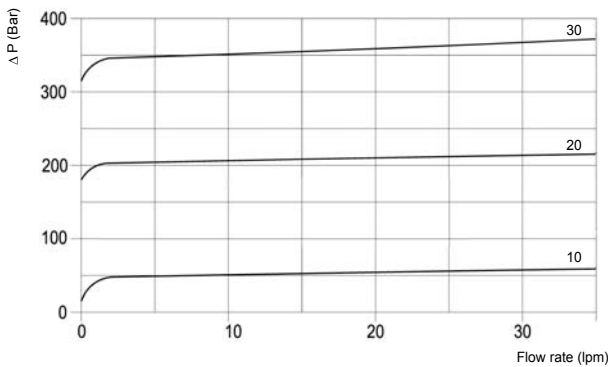


Size	A	B	C	D	E	F	G	H	L	M	N	Q	S	Weight kg
02	65	51	17	24	20	50	6	6,5	34	3/8	6	53	35	0,40
03	65	51	17	24	20	50	6	6,5	34	1/2	6	53	35	0,38

Hydraulic Symbol



Curves



Features

Rated Flow	35 lpm
Max Pressure	350 bar

Materials: Zinc plated steel cartridge, hardened steel inner parts.
Aluminium manifold.

Ordering Code

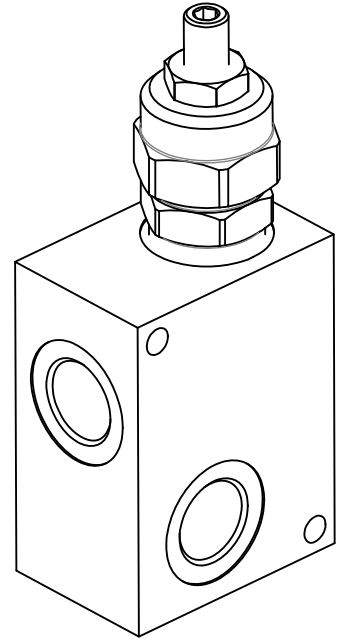
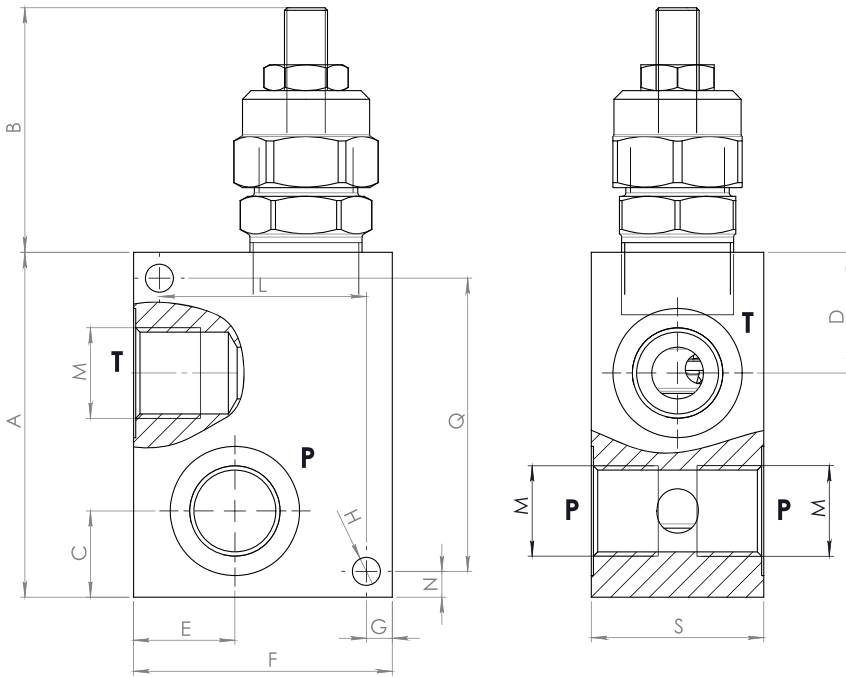
PRL 35 -- -- -

Port Size BSP		Spring (bar)	
02	3/8	10	5-50
03	1/2	20	40-210
		30	100-350

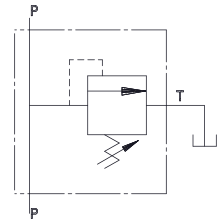
Adjustments		
A		Socket Screw
B		Handknob
C		Tamperproof Cap

Ordering Code Example: PRL350220A = 3/8 Port Size - 40-210 bar setting range, Socket screw adjustment.

Dimensions

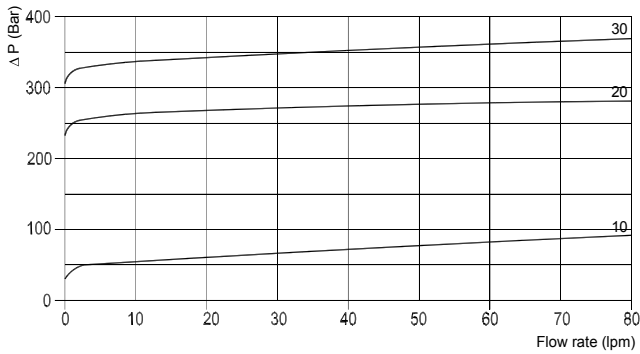


Hydraulic Symbol



Size	A	B max	C	D	E	F	G	H	L	M BSP	N	Q	S	Weight kg
03	80	57	20	28	23,5	60	6	6,5	48	1/2	6	68	40	0,70
04	80	57	20	28	23,5	60	6	6,5	48	3/4	6	68	40	0,67

Curves



Features

Rated Flow	80 lpm
Max Pressure	350 bar

Materials: Zinc plated steel cartridge, hardened steel inner parts.
Aluminium manifold.

Ordering Code

PRL 80 -- -- -

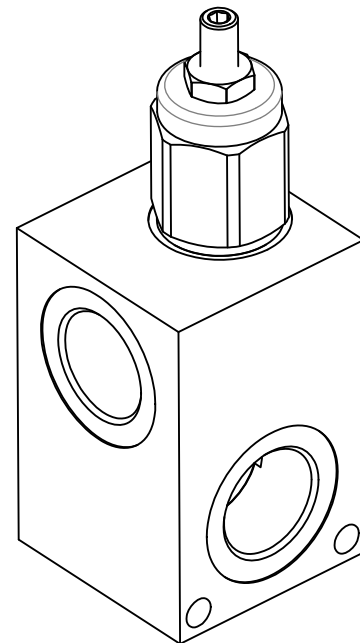
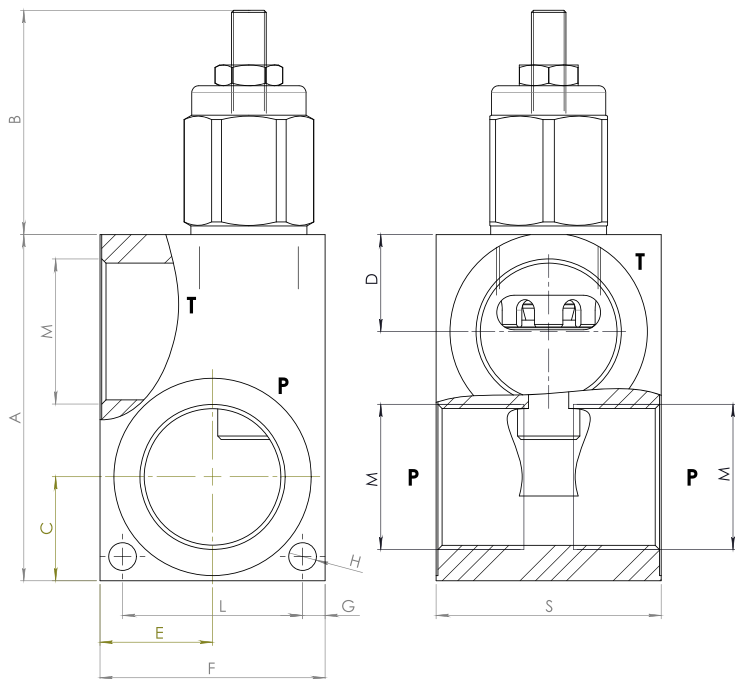
Port Size BSP		Spring (bar)	
03	1/2	10	5-50
04	3/4	20	30-260
		30	130-350

Adjustments

A		Socket Screw
B		Handknob
C		Tamperproof Cap

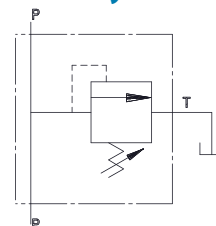
Ordering Code Example: PRL800420A = 3/4 Port Size - 30-260 bar setting range, Socket screw adjustment.

Dimensions

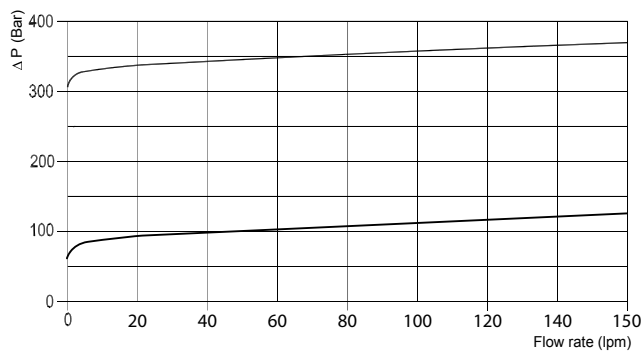


Size	A	B max	C	D	E	F	G	H	L	M BSP	N	S	Weight kg
05	100	65	30	28	32,5	65	6,5	8	52	1	7	65	2,86
06	100	65	30	28	32,5	65	6,5	8	52	1 1/4	7	65	2,54

Hydraulic Symbol



Curves



Features

Rated Flow	150 lpm
Max Pressure	350 bar

Materials: Zinc plated steel cartridge, hardened steel inner parts. Steel manifold.

Ordering Code

PRL 150 -- -- -

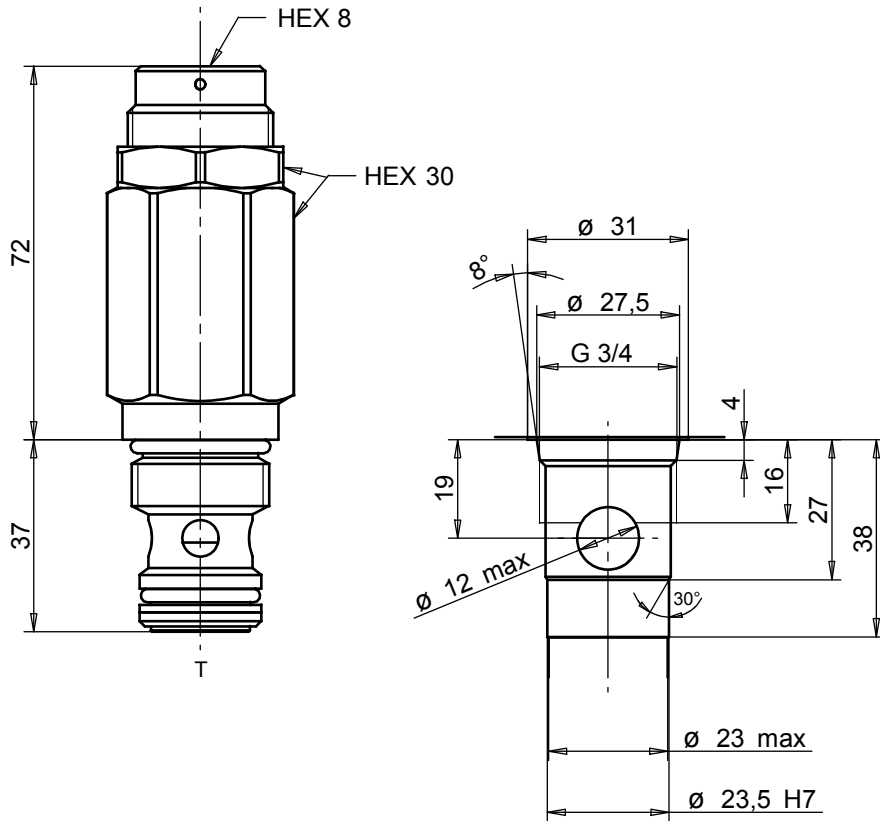
Port Size BSP		Spring (bar)	
05	1	10	5-120
06	1 1/4	30	50-350

Adjustments

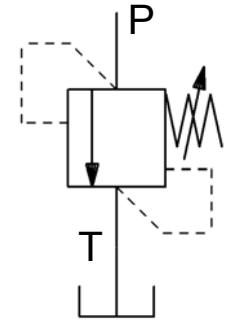
A		Socket Screw
B		Handknob
C		Tamperproof Cap

Ordering Code Example: PRL1500530A = 1 BSP Port Size - 50-350 bar setting range, Socket screw adjustment.

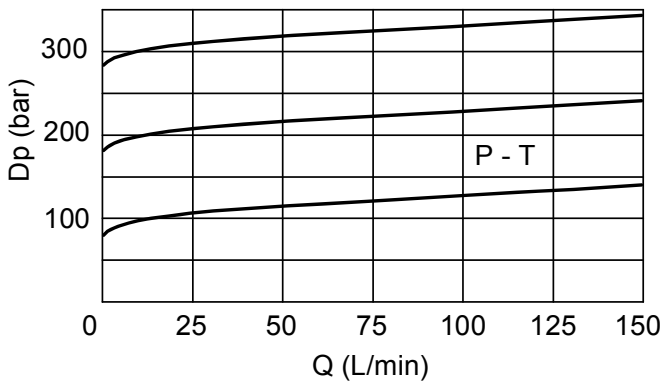
Dimensions



Hydraulic Symbol



Curves



Features

Max Flow	150 lpm
Max Pressure	350 bar
Installation torque	150-160 Nm

Materials: Zinc plated steel cartridge, hardened steel inner parts.

Ordering Code

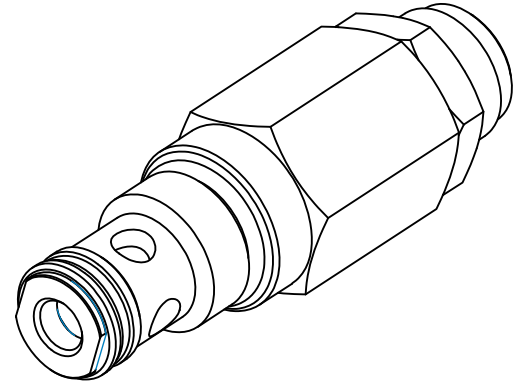
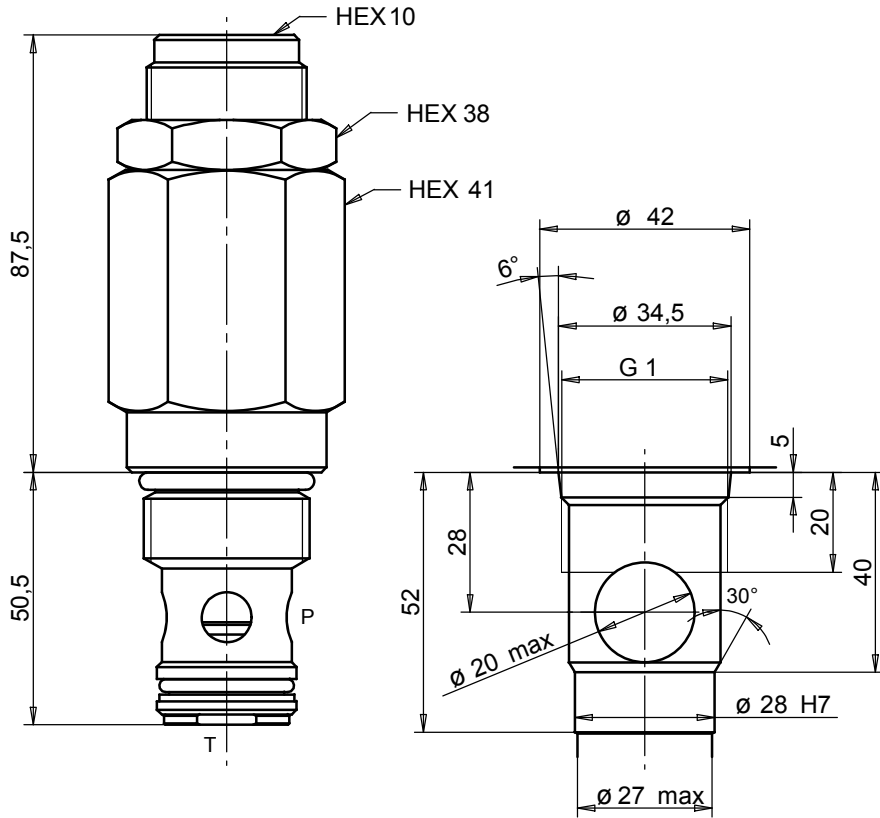
PRCD 150 --

Spring (bar)

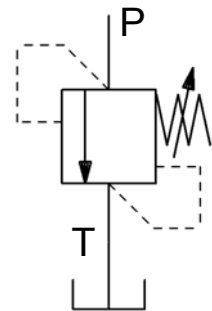
30 100-350

Ordering Code Example: PRCD15030 = 100-350 bar setting range.

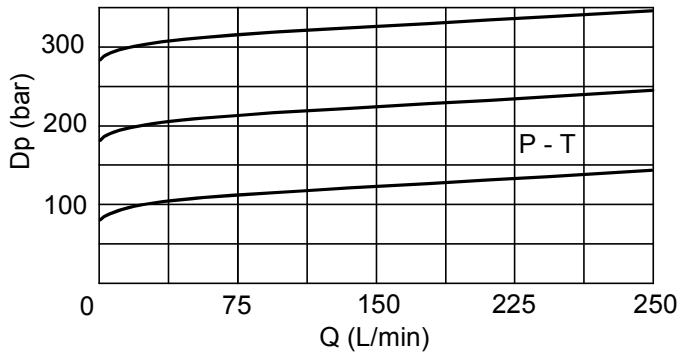
Dimensions



Hydraulic Symbol



Curves



Features

Max Flow	240 lpm
Max Pressure	350 bar
Installation torque	200-230 Nm

Materials: Zinc plated steel cartridge, hardened steel inner parts.

Ordering Code

PRCD 250

--

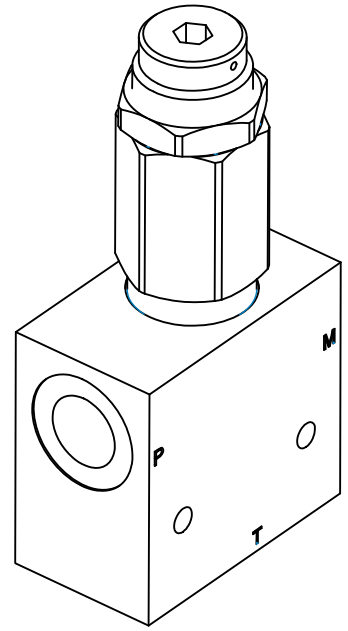
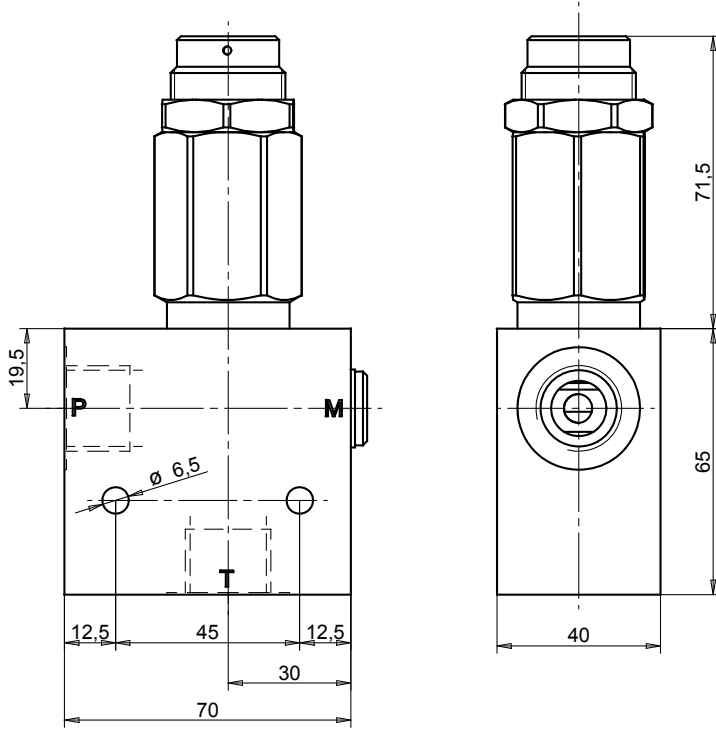
Spring (bar)

30

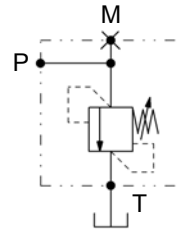
120-350

Ordering Code Example: PRCD25030 = 120-350 bar setting range.

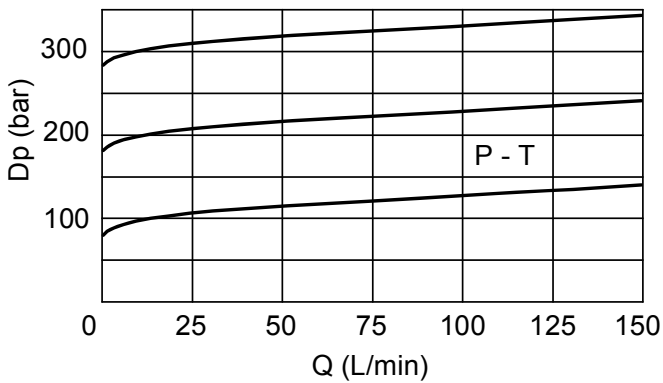
Dimensions



Hydraulic Symbol



Curves



Features

Max Flow	150 lpm
Max Pressure	350 bar

Materials: Zinc plated steel cartridge, hardened steel inner parts.
Aluminium manifold.

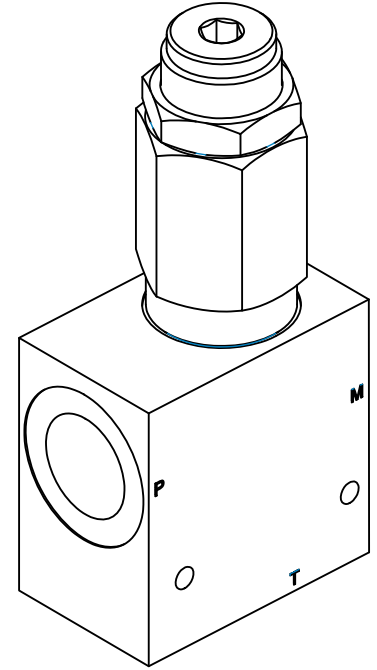
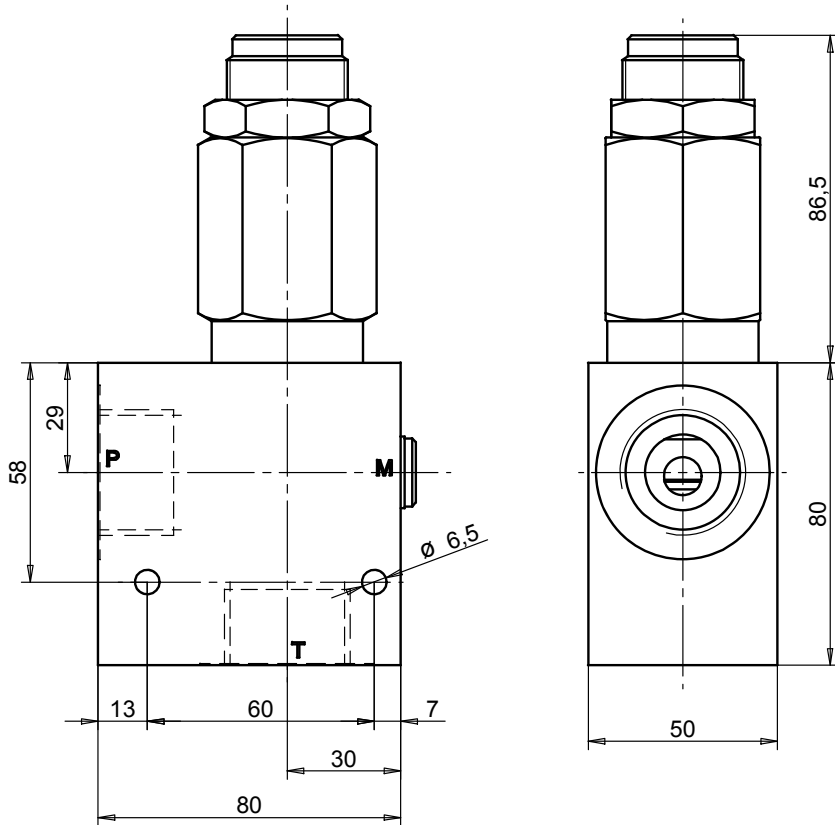
Ordering Code

PRCDL 150 -- --

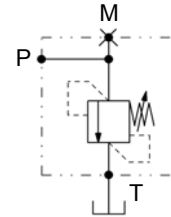
Port Size BSP		Spring (bar)	
03	1/2	30	100-350
04	3/4		

Ordering Code Example: PRCDL1500430 = 3/4 Port Size - 100-350 bar setting range.

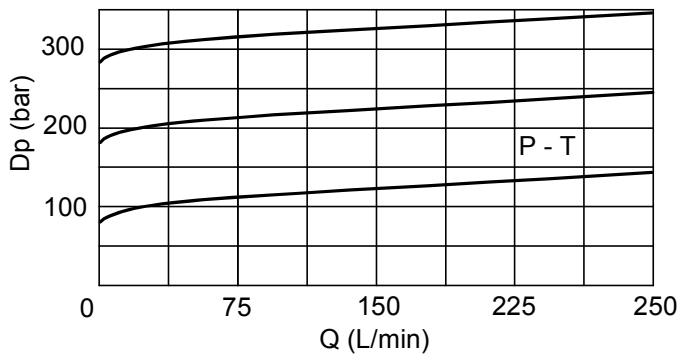
Dimensions



Hydraulic Symbol



Curves



Features

Max Flow	240 lpm
Max Pressure	350 bar
Installation torque	150-160 Nm

Materials: Zinc plated steel cartridge, hardened steel inner parts.
Aluminium manifold.

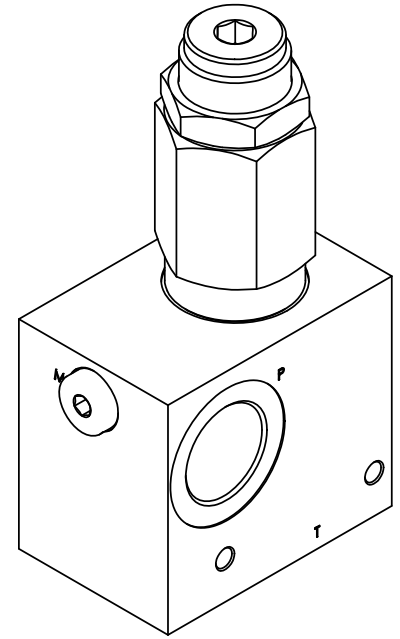
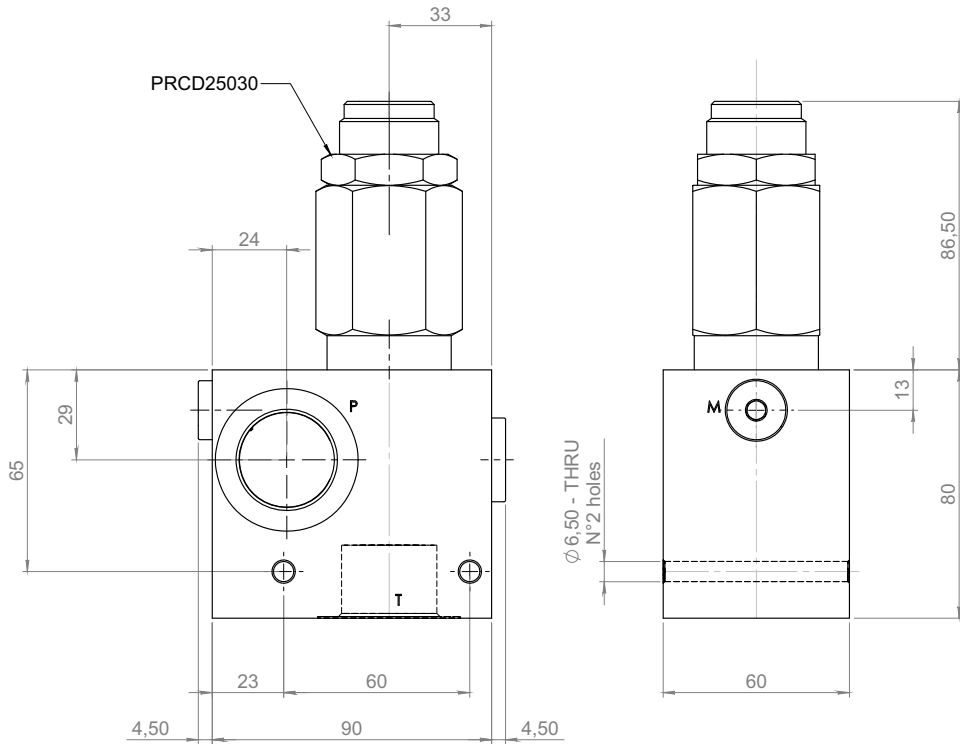
Ordering Code

PRCDL 250 -- --

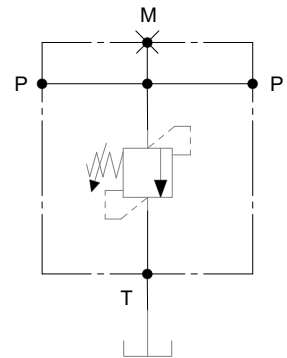
Port Size BSP		Spring (bar)	
04	3/4	30	120-350
05	1		

Ordering Code Example: PRCDL2500530 = 1" Port Size - 120-350 bar setting range.

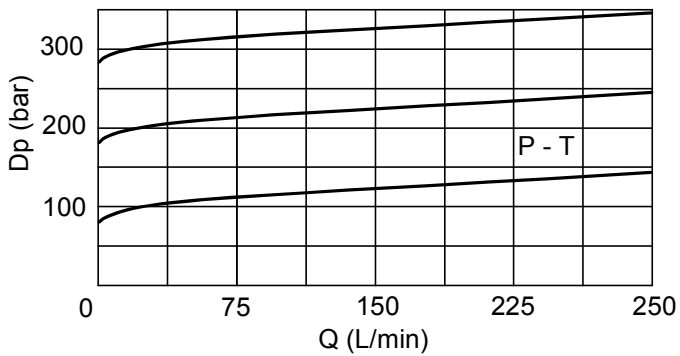
Dimensions



Hydraulic Symbol



Curves



Features

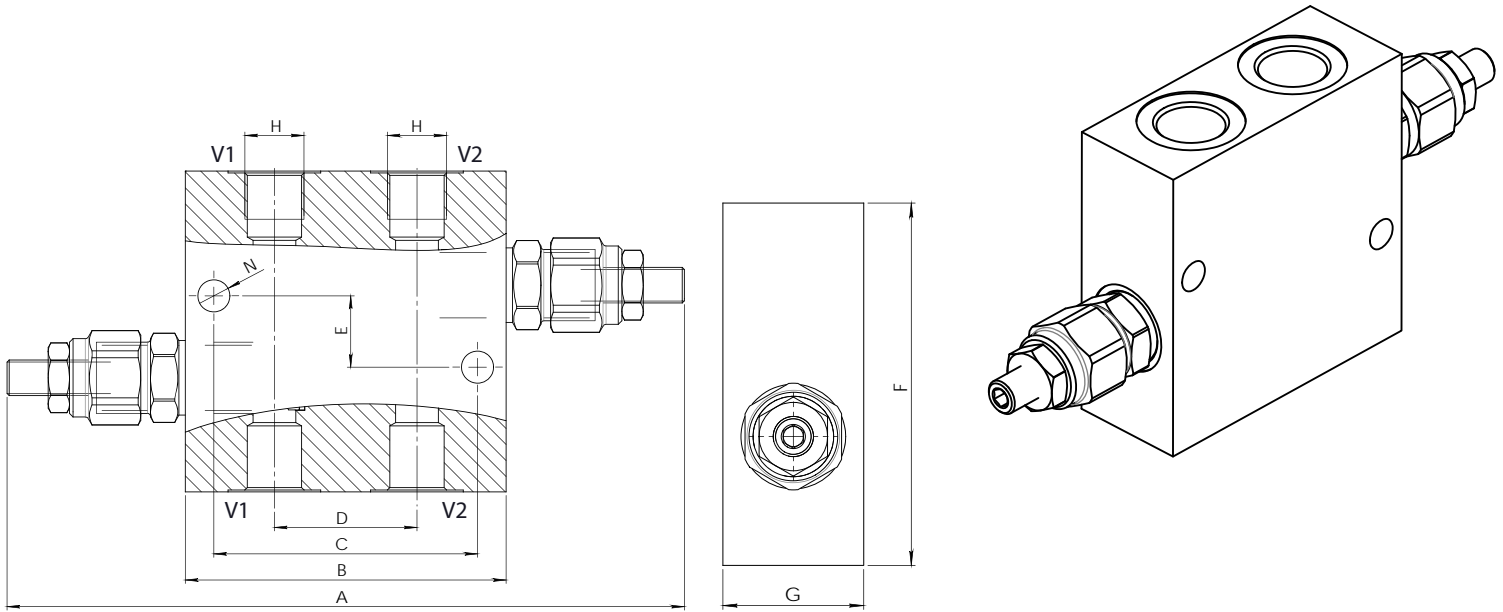
Max Flow	240 lpm
Max Pressure	350 bar
Pressure setting range	120 ÷ 350 bar
Port Sizes	P-T = G 1 BSP M = G 1/4 BSP

Materials: Aluminium body.

Ordering Code

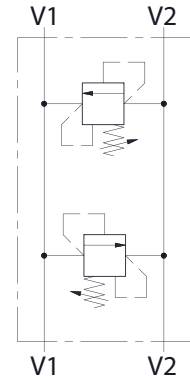
PRCDLT2500530

Dimensions

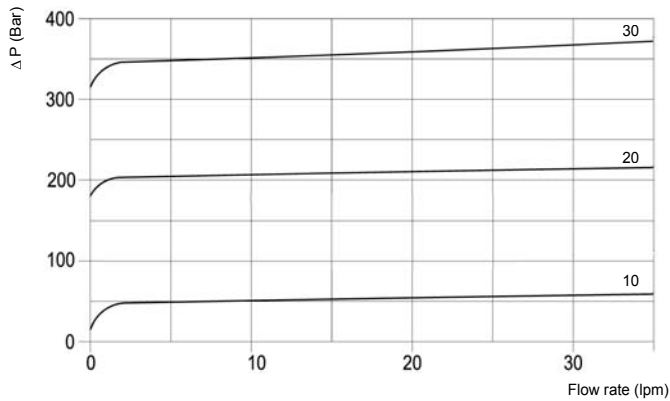


Size	A	B	C	D	E	F	G	H BSP	N	Weight kg
02	190	90	74	40	20	90	35	3/8	9	0,95
03	190	90	74	40	20	90	35	1/2	9	0,93

Hydraulic Symbol



Curves



Features

Rated Flow	35 lpm
Max Pressure	350 bar

Materials: Zinc plated steel cartridge, hardened steel inner parts.
Aluminium manifold.

Ordering Code

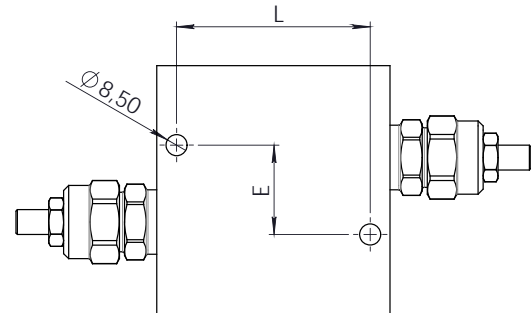
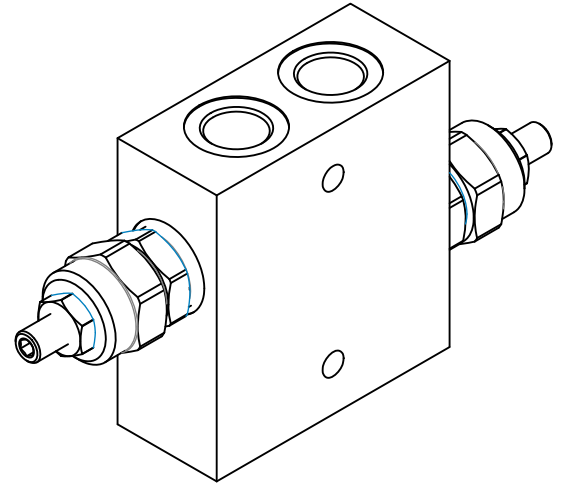
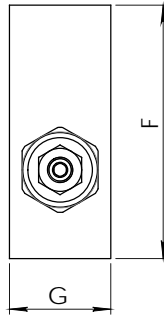
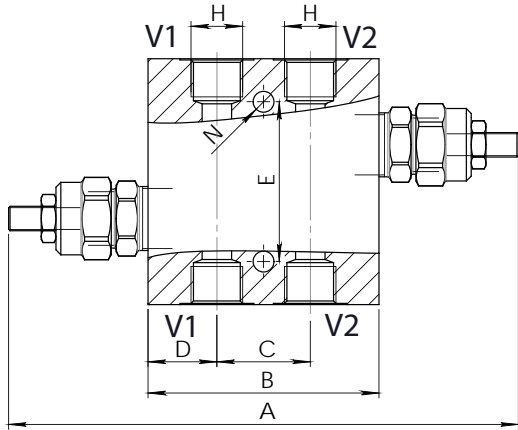
DPRL 35 -- -- -

Port Size BSP		Spring (bar)	
02	3/8	10	5-50
03	1/2	20	40-210
		30	100-350

Adjustments		
A		Socket Screw
B		Handknob
C		Tamperproof Cap

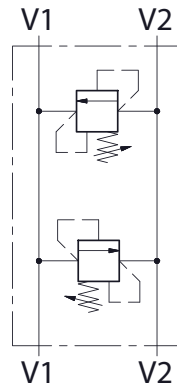
Ordering Code Example: DPRL350220A = 3/8 Port Size - 40-210 bar setting range, Socket screw adjustment.

Dimensions

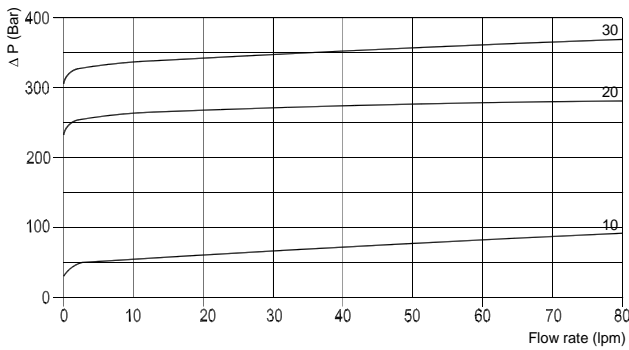


Size	A max	B	C	D	E	F	G	H BSP	L	N	Weight kg
03	207	94	38	28	65	100	40	1/2	-	8,5	1,41
04	207	94	38	28	36	100	40	3/4	78	8,5	1,36

Hydraulic Symbol



Curves



Features

Rated Flow	80 lpm
Max Pressure	260 bar

Materials: Zinc plated steel cartridge, hardened steel inner parts.
Aluminium manifold.

Ordering Code

DPRL 80 -- -- -

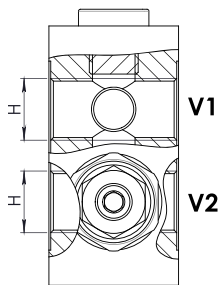
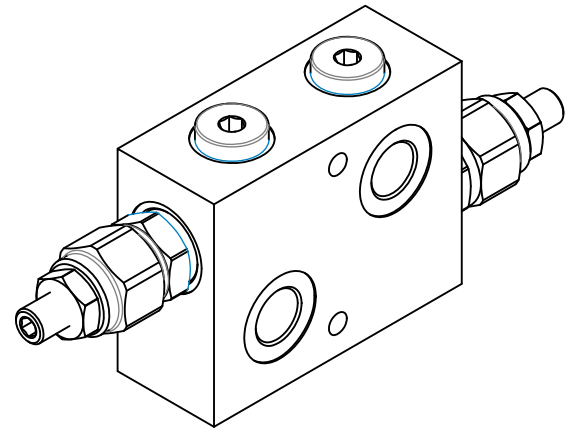
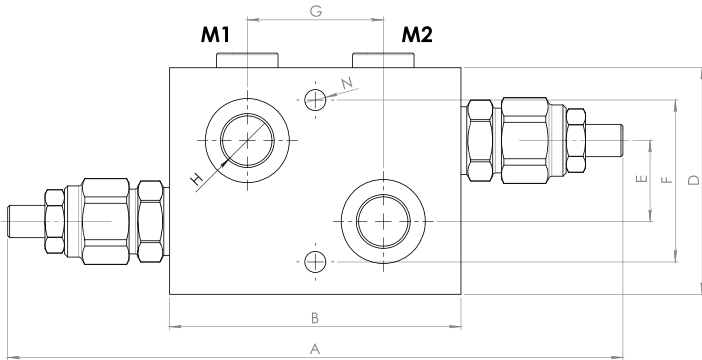
Port Size BSP		Spring (bar)	
03	1/2	10	5-50
04	3/4	20	30-260
		30	130-350

Adjustments

A		Socket Screw
B		Handknob
C		Tamperproof Cap

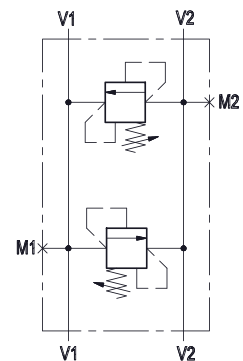
Ordering Code Example: DPRL800320A = 1/2 Port Size - 40-210 bar setting range, Socket screw adjustment.

Dimensions

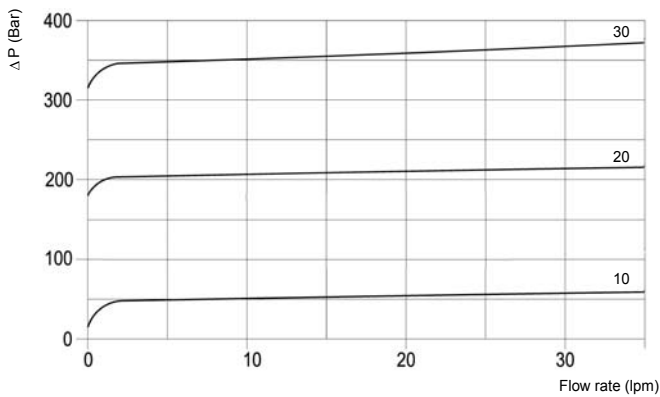


Size	A max	B	C	D	E	F	G	H BSP	M1 BSP	M2 BSP	N	Weight kg
02	190	90	35	70	25	50	42	3/8	1/4	1/4	6,5	0,84
03	190	90	35	70	25	50	42	1/2	1/4	1/4	6,5	0,82

Hydraulic Symbol



Curves



Features

Rated Flow	35 lpm
Max Pressure	350 bar

Materials: Zinc plated steel cartridge, hardened steel inner parts.
Aluminium manifold.

Ordering Code

DPRF 35 -- -- -

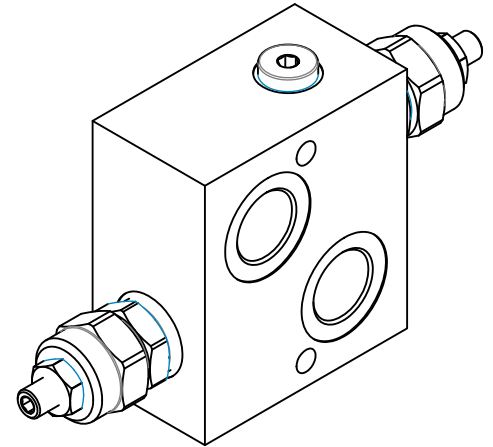
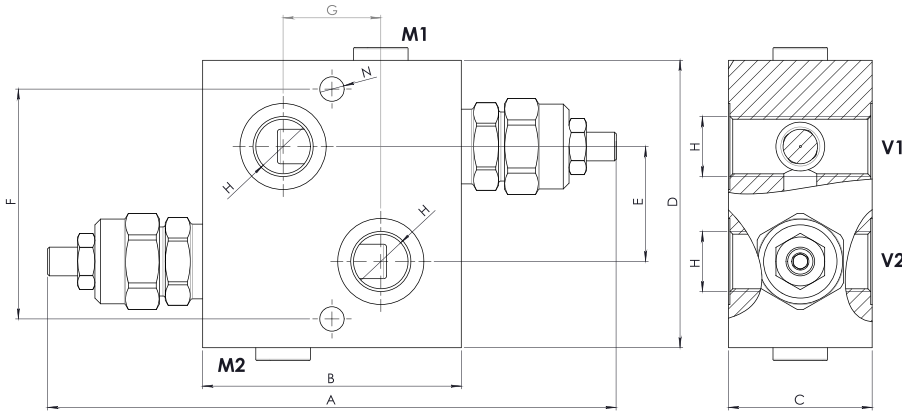
Port Size BSP		Spring (bar)	
02	3/8	10	5-50
03	1/2	20	40-210
		30	100-350

Adjustments

A		Socket Screw
B		Handknob
C		Tamperproof Cap

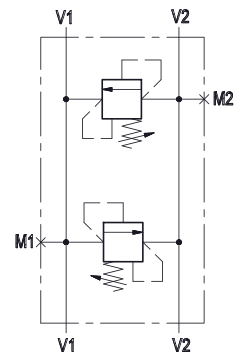
Ordering Code Example: DPRF350220A = 3/8 Port Size - 40-210 bar setting range, Socket screw adjustment.

Dimensions

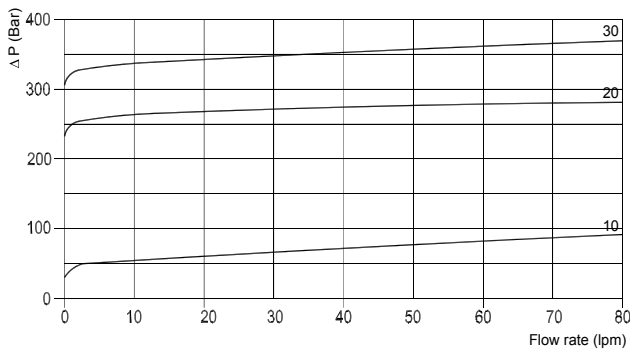


Size	A max	B	C	D	E	F	G	H BSP	M1 BSP	M2 BSP	N	Weight kg
03	198	90	50	100	40	80	32	1/2	1/4	1/4	8,5	1,64
04	198	90	50	100	40	80	32	3/4	1/4	1/4	8,5	1,59

Hydraulic Symbol



Curves



Features

Rated Flow	80 lpm
Max Pressure	260 bar

Materials: Zinc plated steel cartridge, hardened steel inner parts.
Aluminium manifold.

Ordering Code

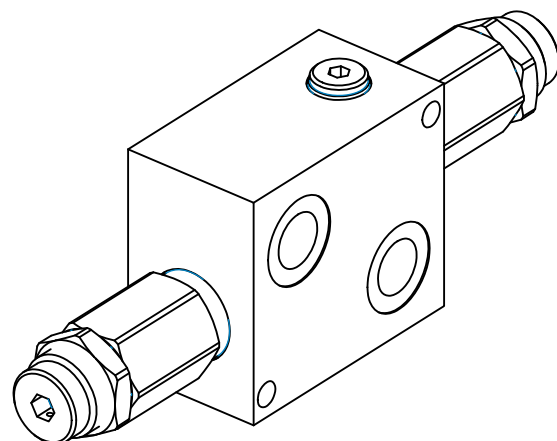
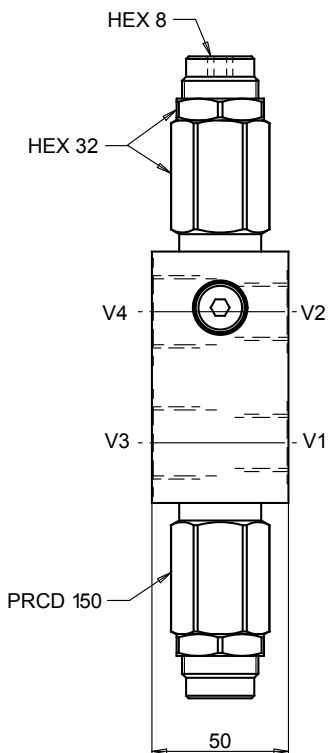
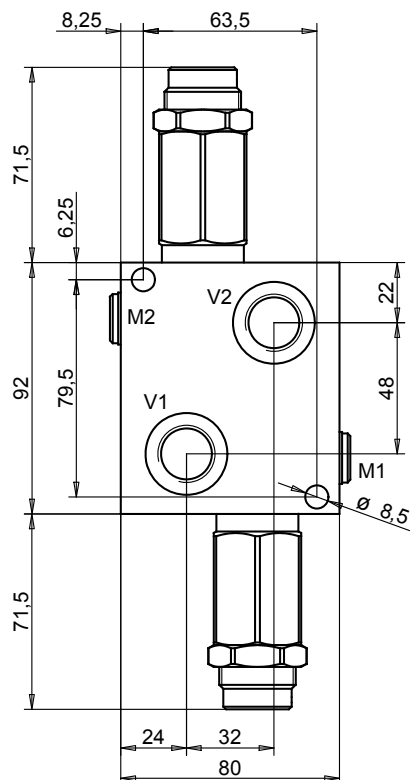
DPRF 80 -- -- -

Port Size BSP		Spring (bar)	
03	1/2	10	5-50
04	3/4	20	30-260
		30	130-350

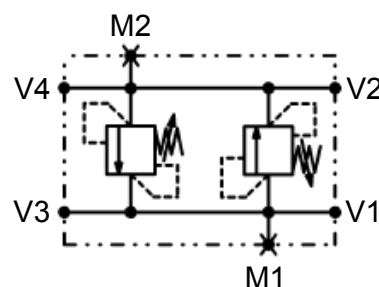
Adjustments		
A		Socket Screw
B		Handknob
C		Tamperproof Cap

Ordering Code Example: DPRF800320A = 1/2 Port Size - 40-210 bar setting range, Socket screw adjustment.

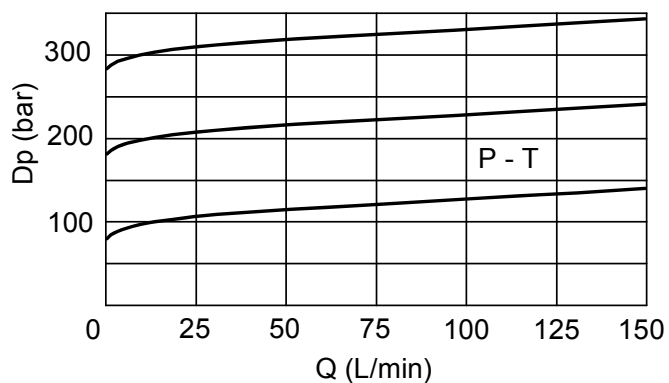
Dimensions



Hydraulic Symbol



Curves



Features

Max Pressure	270 bar
Max Flow	150 lpm
Ports	V1-V2: G 1/2 V3-V4: G 3/4 M1-M2: G 1/4

Materials: Zinc plated steel cartridge, hardened steel inner parts.
Aluminium manifold.

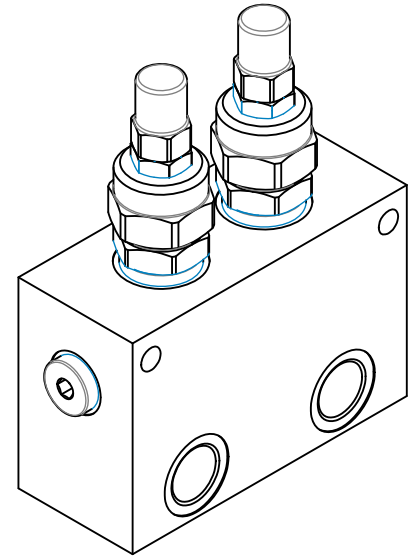
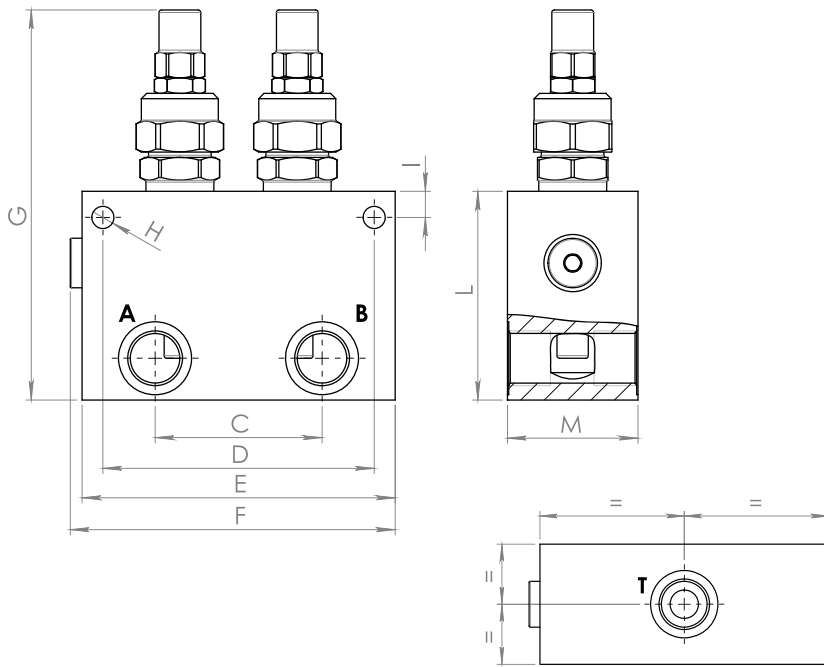
Ordering Code

DPCDIH 0304 --

Spring (bar)	
30	100-350

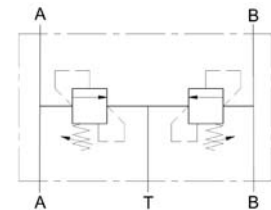
Ordering Code Example: DPCDIH030430 = 100-350 bar setting range.

Dimensions

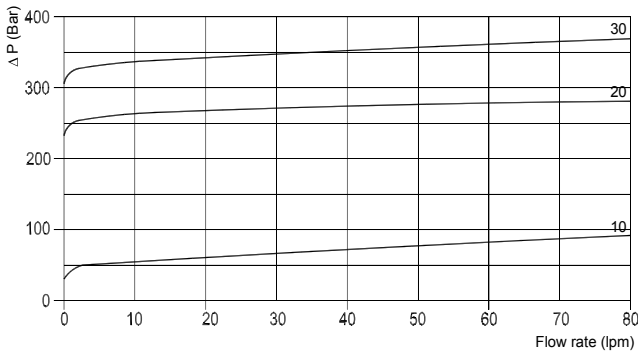


Size	A-B-T	C	D	E	F	G	H	I	L	M	Weight kg
03	1/2	64	104	120	124,5	149,5	8,5	10	80	50	1,78

Hydraulic Symbol



Curves



Features

Rated Flow	80 lpm
Max Pressure	260 bar

Materials: Zinc plated steel cartridge, hardened steel inner parts.
Aluminium manifold.

Ordering Code

DPRSU 80

--

--

-

Port Size BSP

03

1/2

Spring (bar)

10

5-50

20

30-260

30

130-350

Adjustments

A



Socket Screw

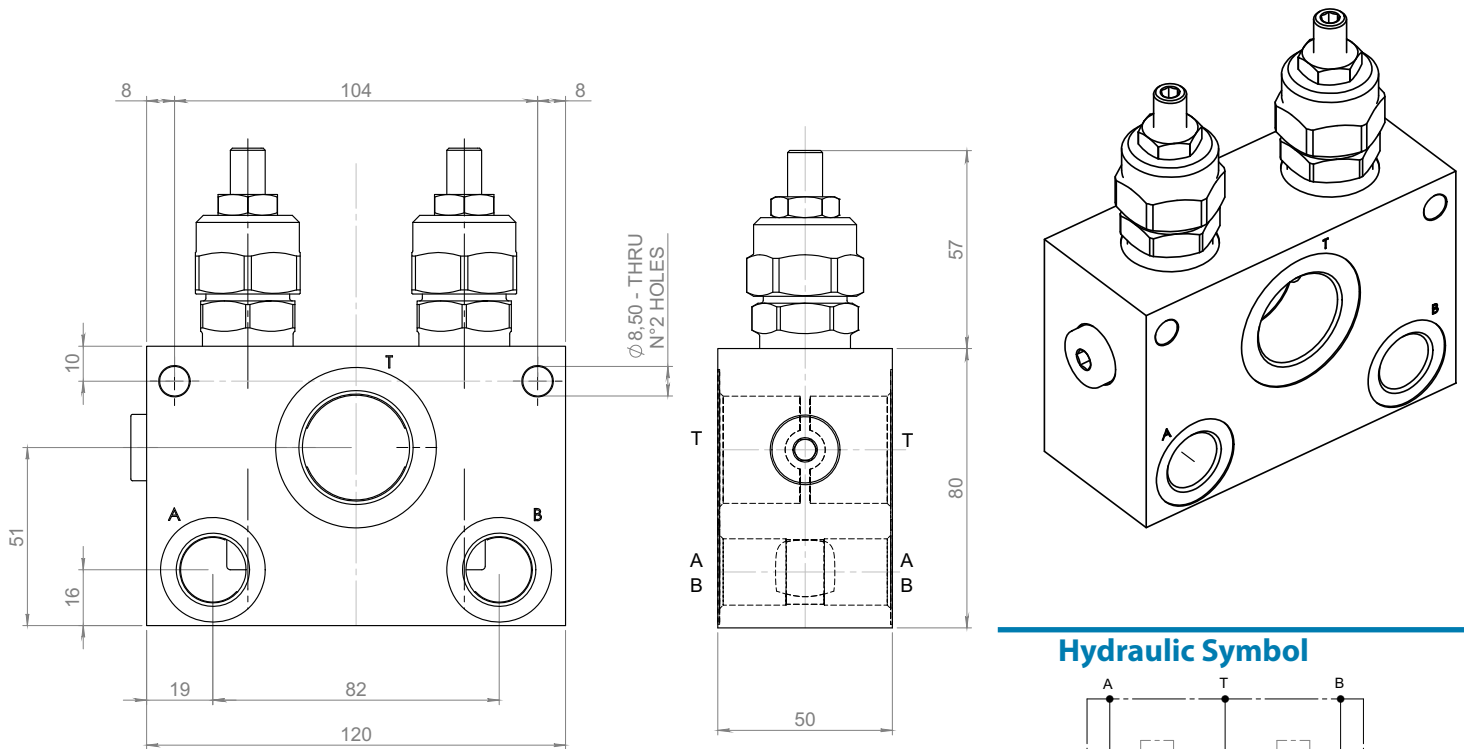
C



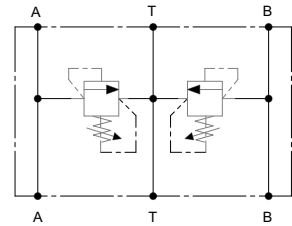
Tamperproof Cap

Ordering Code Example: DPRSU800320A = 1/2 Port Size - 30-260 bar setting range, Socket screw adjustment.

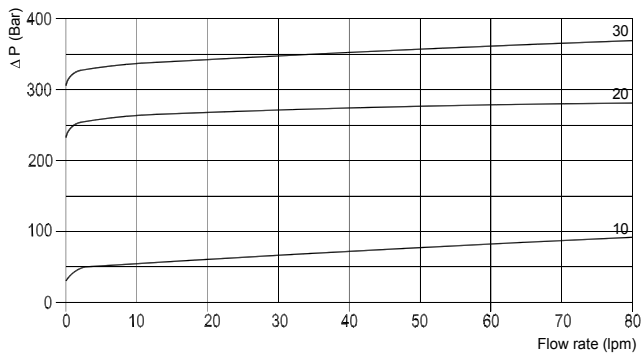
Dimensions



Hydraulic Symbol



Curves



Features

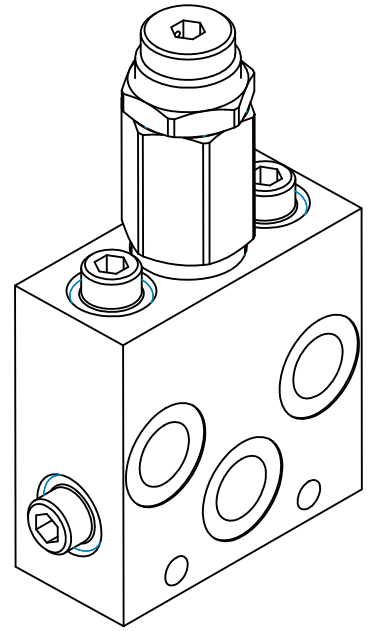
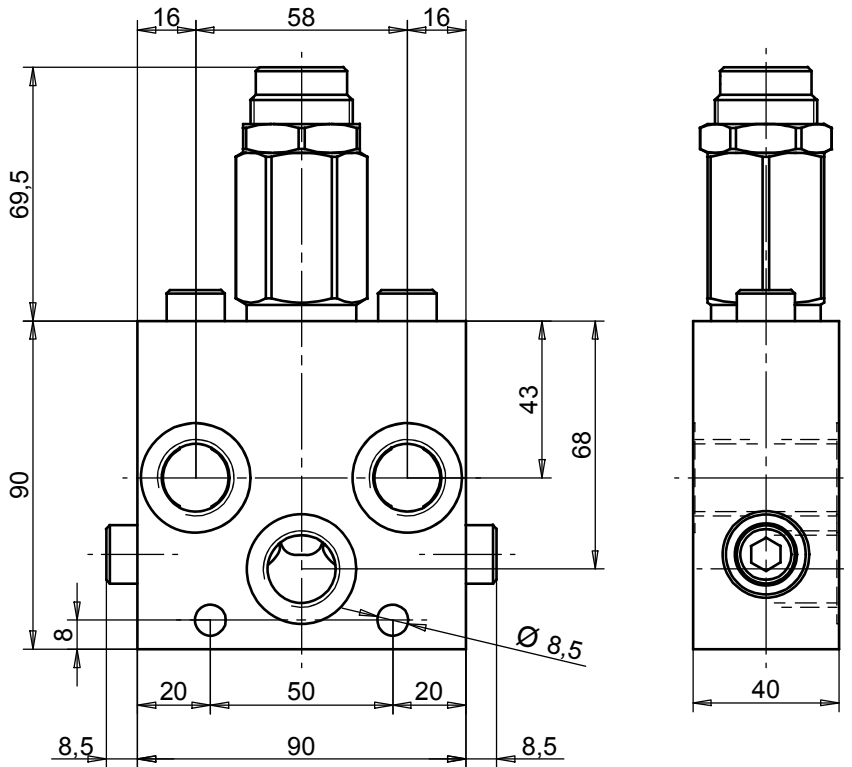
Max Flow	80 lpm
Max Pressure	260 bar
Pressure setting range	120 ÷ 350 bar
Port Sizes	A - B = G1/2 BSP T = G 1 BSP

Materials: Aluminium body.

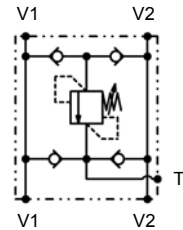
Ordering Code

DPRSUT800330A

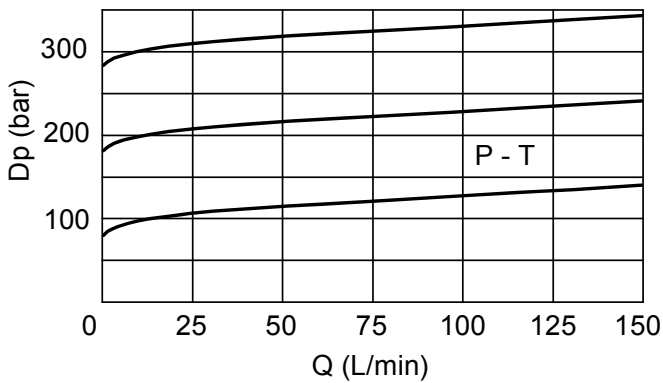
Dimensions



Hydraulic Symbol



Curves



Features

Max Pressure	280 bar
Max Flow	60 lpm
Ports	V1-V2: G 1/2 T: G 1/2

Materials: Zinc plated steel cartridge, hardened steel inner parts.
Aluminium manifold.

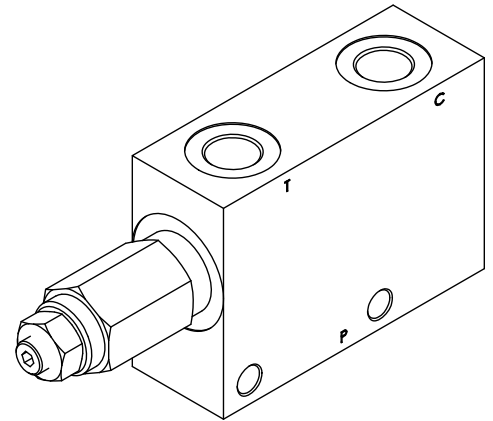
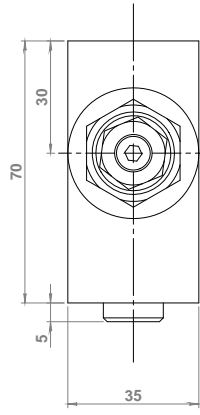
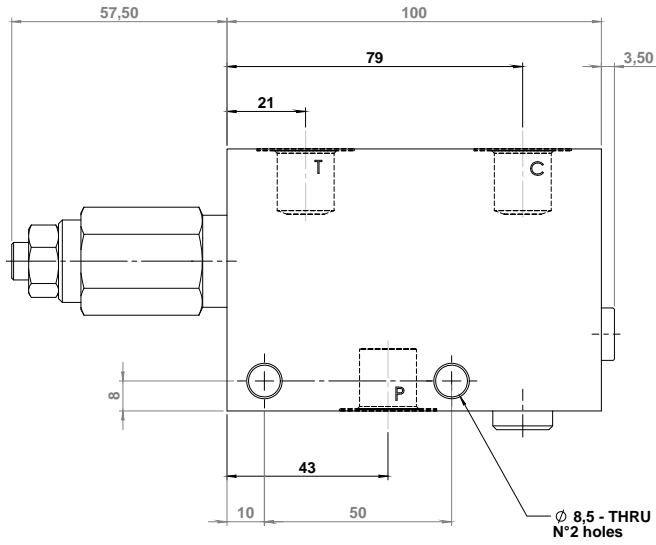
Ordering Code

VARUCD 03 --

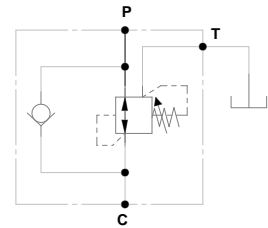
Spring (bar)	
30	100-350

Ordering Code Example: VARUCD0330 = 100-350 bar setting range.

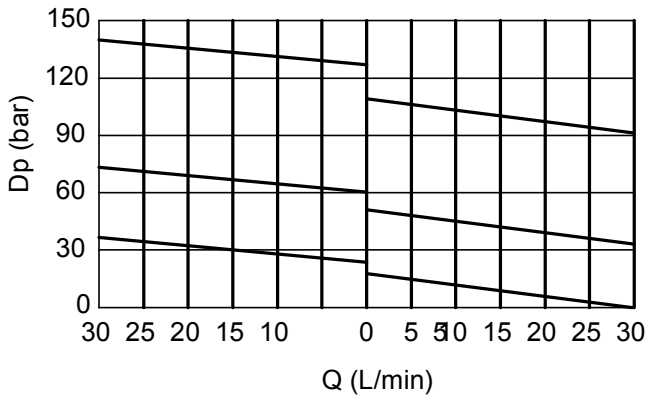
Dimensions



Hydraulic Symbol



Curves



Features

Max Flow	30 lpm
Max Pressure	260 bar
Pressure setting range	10 ÷ 140 bar
Port Sizes	P - C - T: G 3/8 BSP

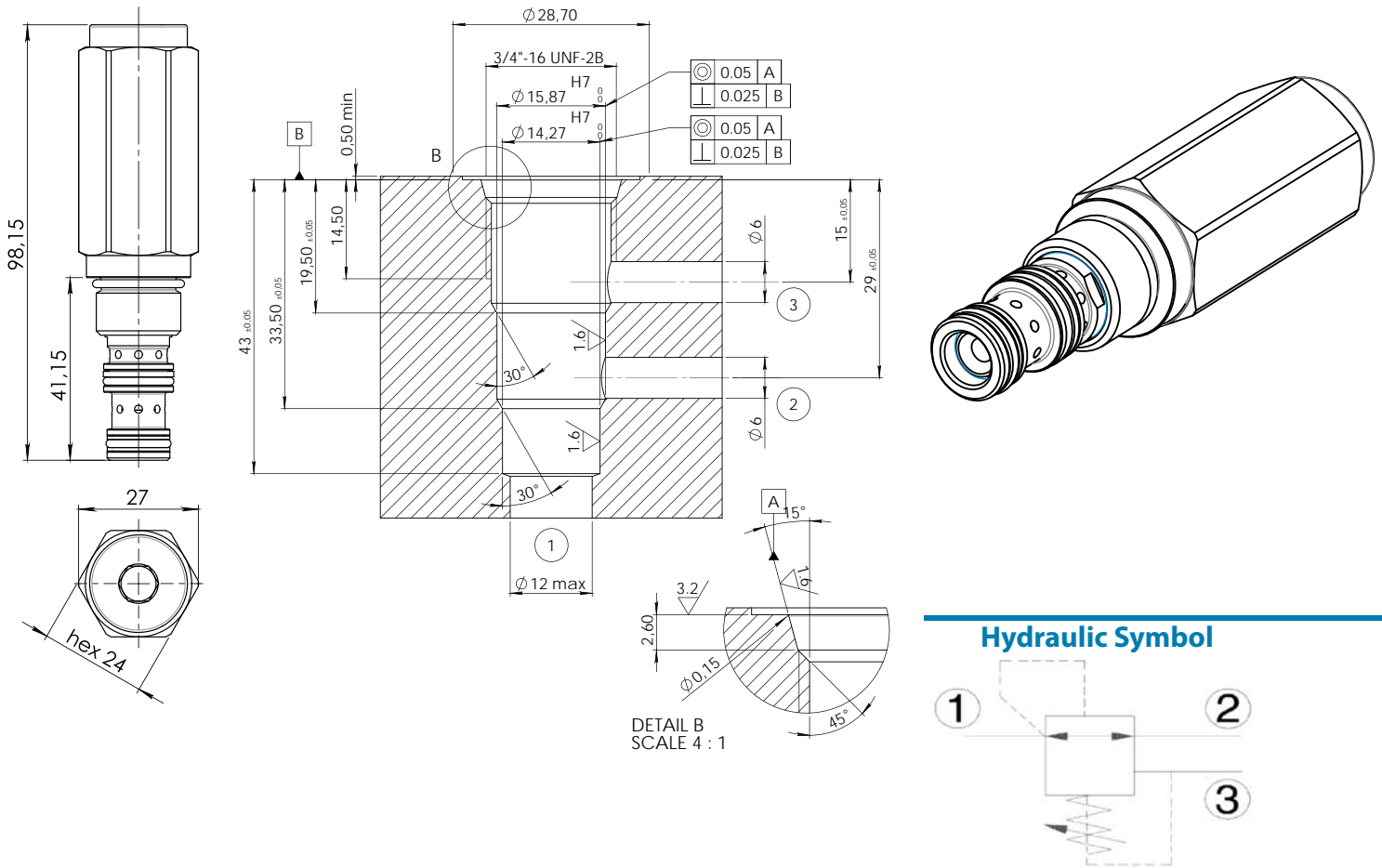
Materials: Aluminium body.

Ordering Code

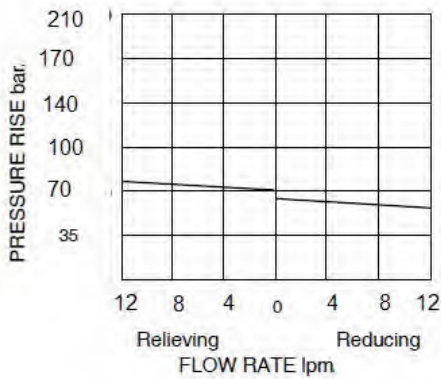
VARPED02

Ordering Code Example: VARPED02 = 3/8 Port Size

Dimensions



Curves



Features

Max Pressure	350 bar
Max Flow	12 lpm

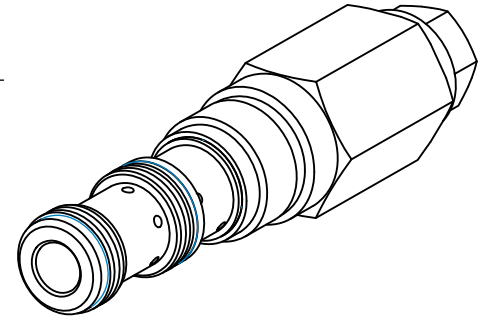
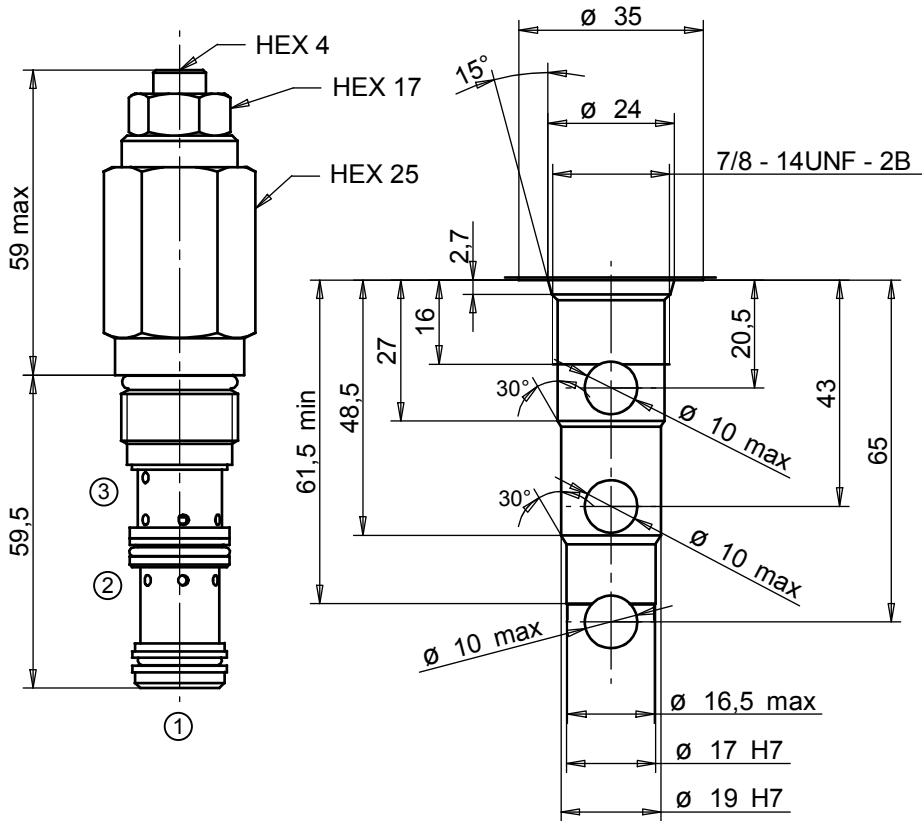
Materials: Zinc plated steel cartridge, hardened steel inner parts.

Ordering Code

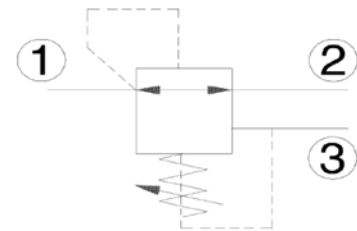
VPRDC02	--
Port Size BSP	
10	10-100

Ordering Code Example: VPRDC0210 = 10-100 bar setting range.

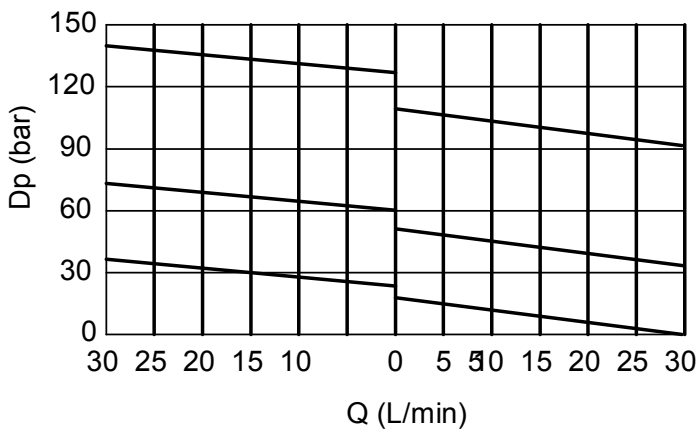
Dimensions



Hydraulic Symbol



Curves



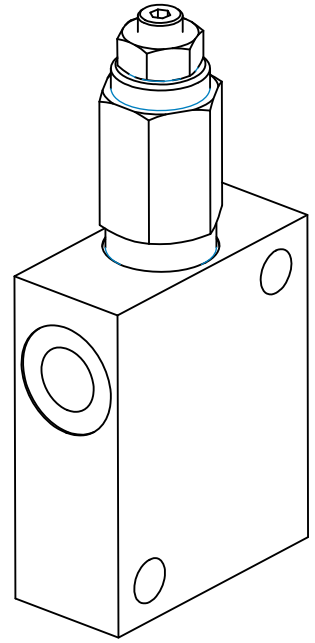
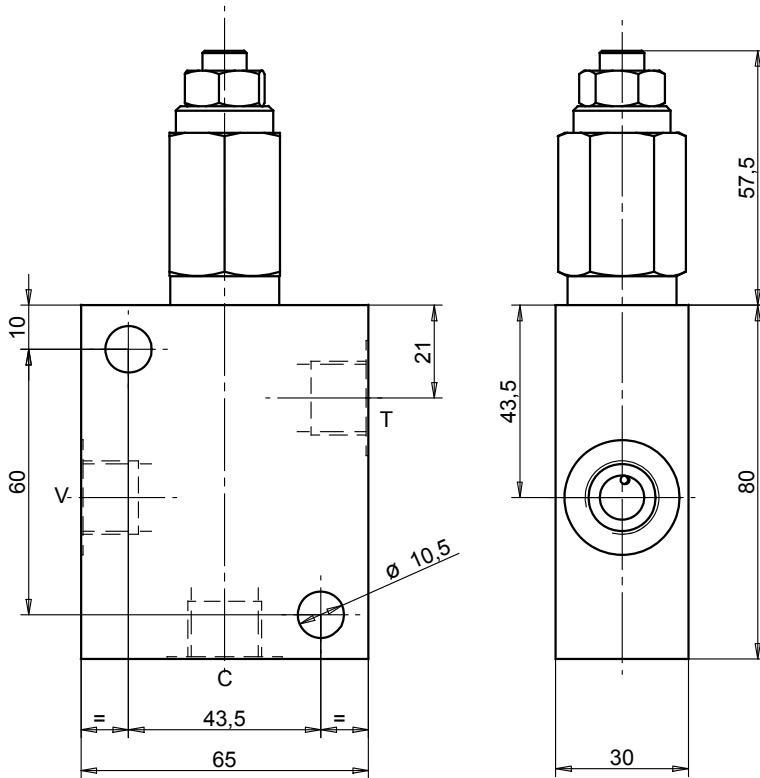
Features

Max Pressure REG	140 bar
Max Pressure IN	350 bar
Max Flow	30 lpm
Installation torque	53-58 Nm

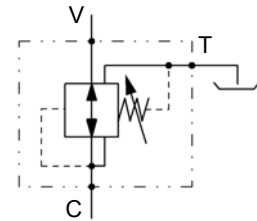
Ordering Code

VPREDC 03

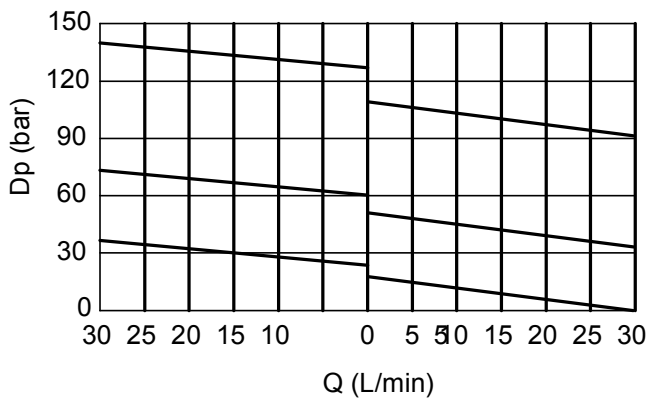
Dimensions



Hydraulic Symbol



Curves



Features

Max Pressure REG	140 bar
Max Pressure IN	350 bar
Max Flow	30 lpm

Materials: Zinc plated steel cartridge, hardened steel inner parts.
Aluminium manifold.

Ordering Code

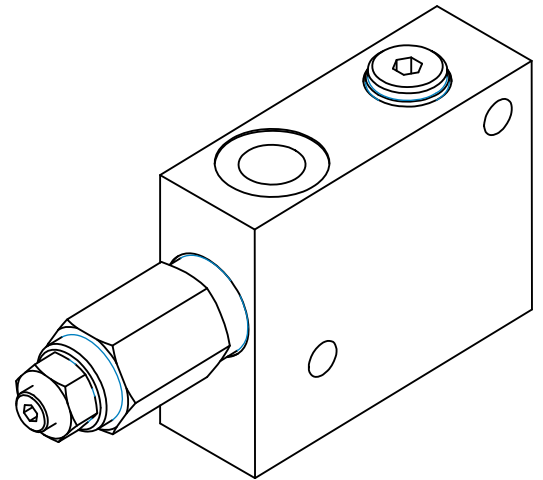
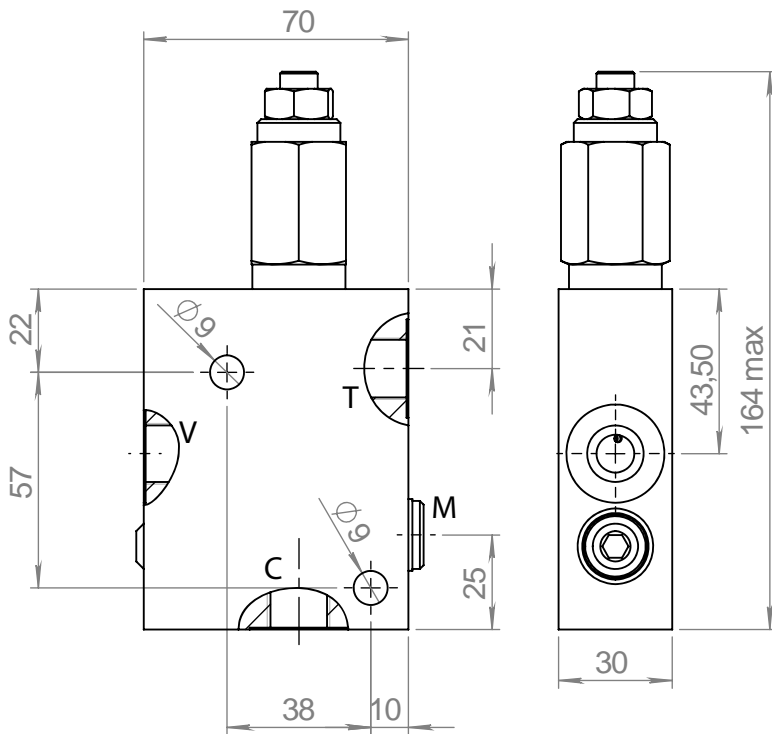
VPREDAD --

Port Size BSP

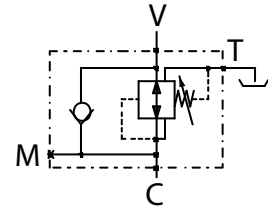
02 3/8

Ordering Code Example: VPREDAD02 = 3/8 Port Size.

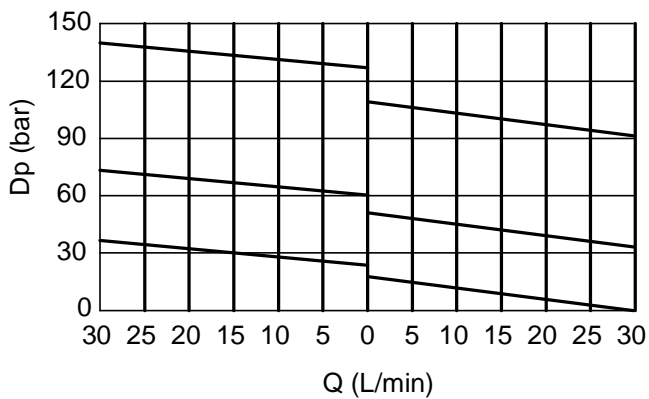
Dimensions



Hydraulic Symbol



Curves



Features

Max Pressure REG	140 bar
Max Pressure IN	350 bar
Max Flow	30 lpm

Materials: Zinc plated steel cartridge, hardened steel inner parts.
Aluminium manifold.

Ordering Code

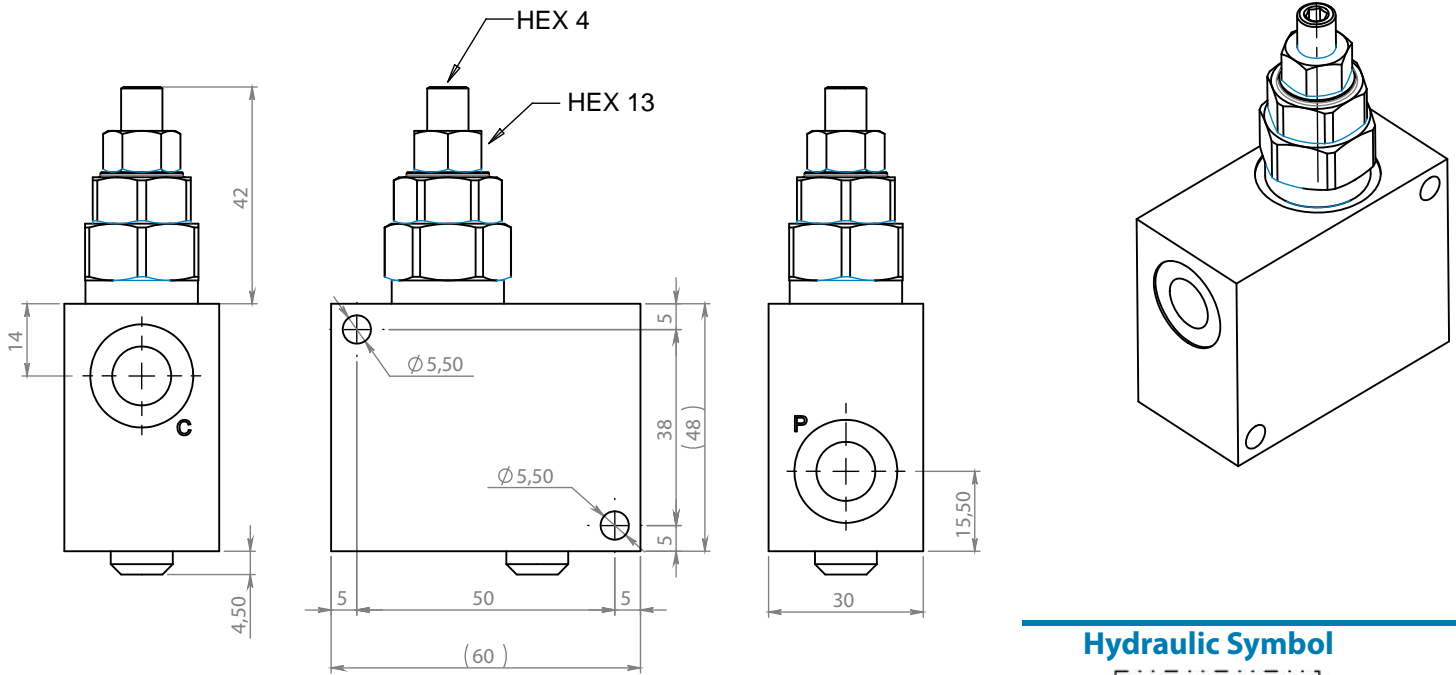
VPREDARR - -

Port Size BSP

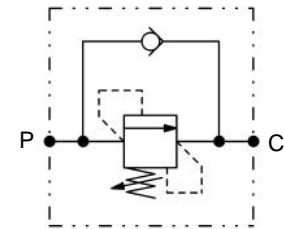
02	3/8
-----------	-----

Ordering Code Example: VPREDARR02 = 3/8 Port Size.

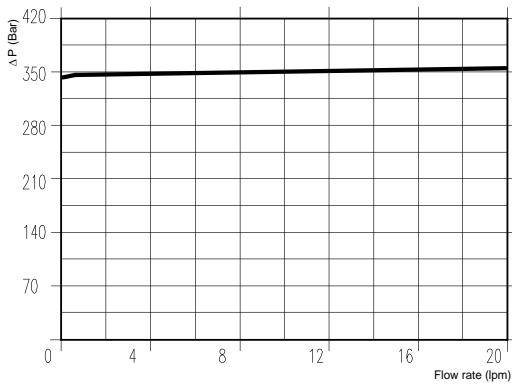
Dimensions



Hydraulic Symbol



Curves



Features

Max Flow (lpm)	20
Max Pressure (bar)	350


Materials: Zinc plated steel cartridge, hardened steel inner parts.
Aluminium manifold.

Ordering Code

SV 20 -- -- -

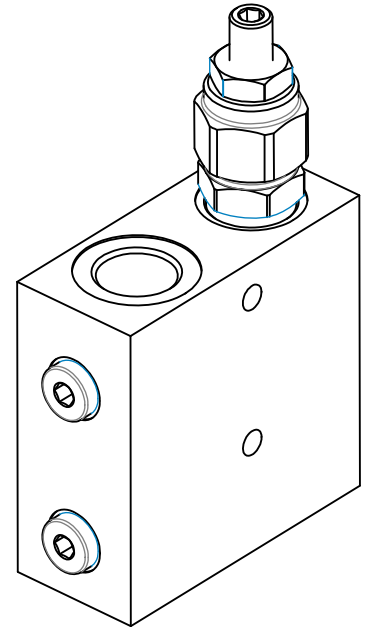
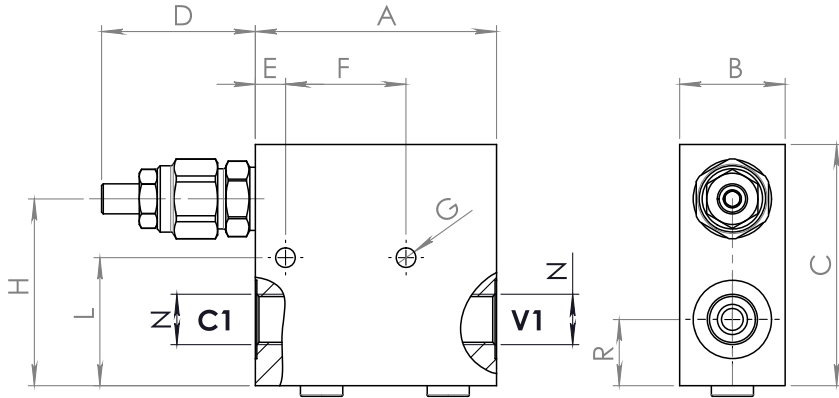
Port Size BSP		Spring (bar)	
01	1/4	10	5-100
		30	50-350

Adjustments

A		Socket Screw
---	---	--------------

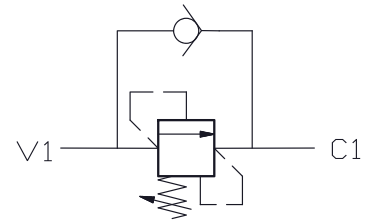
Ordering Code Example: SV200130A = 1/4 Port Size - 50-350 bar setting range, Socket screw adjustment.

Dimensions

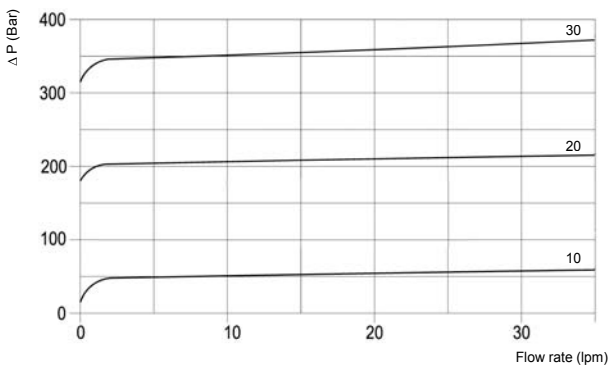


Size	A	B	C	D max	E	F	G	H	L	N BSP	R	Weight kg
02	80	35	80	51	10	40	6,5	62	42,5	3/8	22	0,72
03	80	35	80	51	10	40	6,5	62	42,5	1/2	22	0,710

Hydraulic Symbol



Curves



Features

Rated Flow (lpm)	35
Max Pressure (bar)	260

Materials: Zinc plated steel cartridge, hardened steel inner parts.
Aluminium manifold.

Ordering Code

SV 35 -- -- -

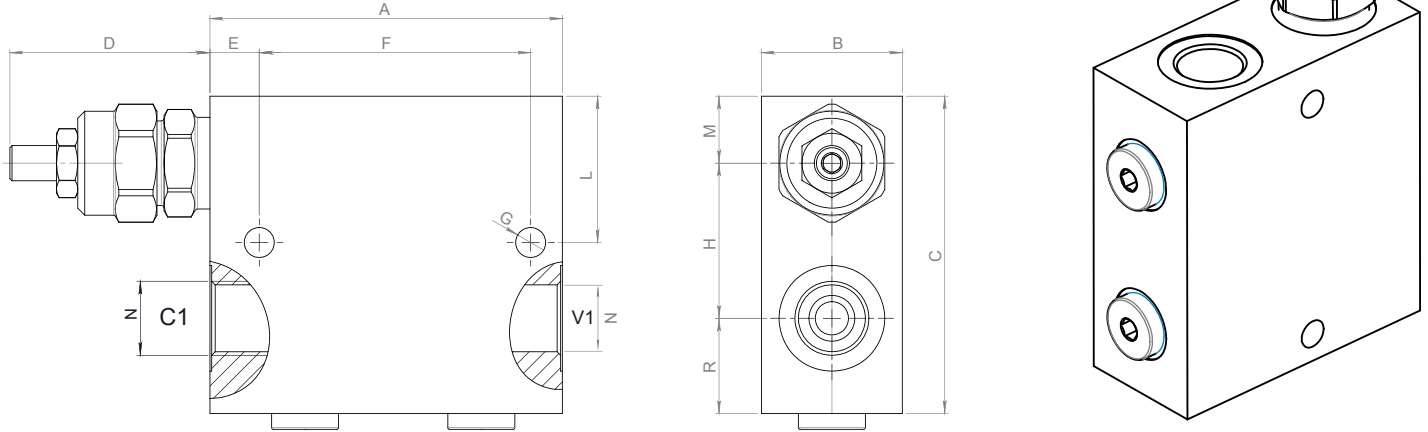
Port Size BSP		Spring (bar)	
02	3/8	10	5-50
03	1/2	20	40-210
		30	100-350

Adjustments

A		Socket Screw
B		Handknob
C		Tamperproof Cap

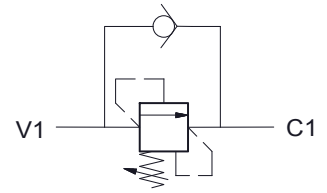
Ordering Code Example: SV350220A = 3/8 Port Size - 40-210 bar setting range, Socket screw adjustment.

Dimensions

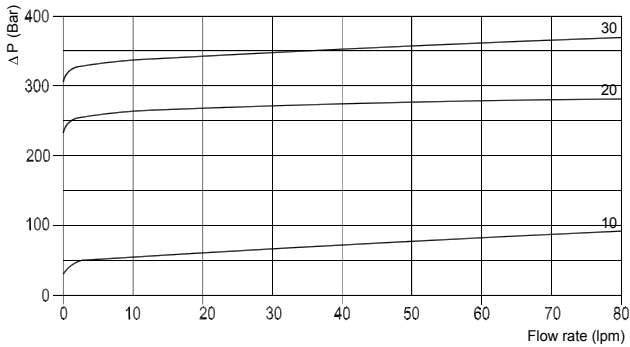


Size	A	B	C	D max	E	F	G	H	L	N BSP	M	R	Weight kg
03	100	40	90	57	14	77	8,5	44	41,5	1/2	19	27	1,2
04	100	40	90	57	14	77	8,5	44	41,5	3/4	19	27	1,16

Hydraulic Symbol



Curves



Features

Rated Flow (lpm)	80
Max Pressure (bar)	260

Materials: Zinc plated steel cartridge, hardened steel inner parts.
Aluminium manifold.

Ordering Code

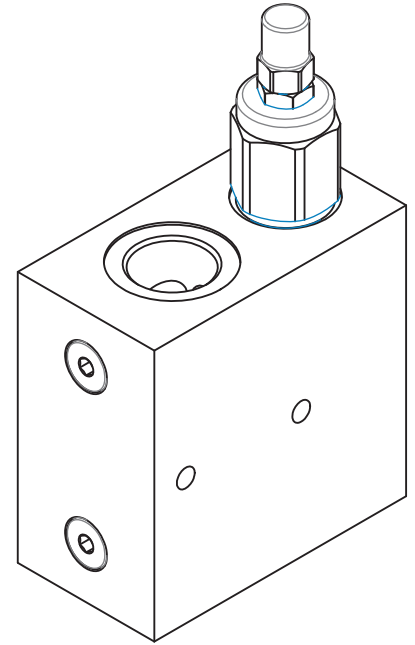
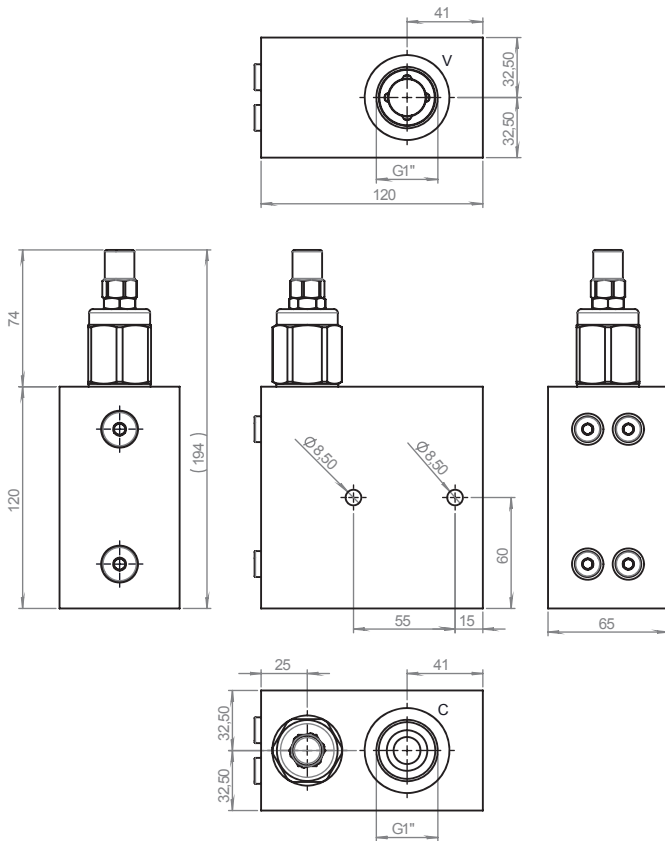
SV 80 -- -- -

Port Size BSP		Spring (bar)	
03	1/2	10	5-50
04	3/4	20	30-260
		30	130-350

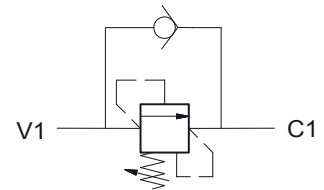
Adjustments		
A		Socket Screw
B		Handknob
C		Tamperproof Cap

Ordering Code Example: SV800320A = 1/2 Port Size - 30-260 bar setting range, Socket screw adjustment.

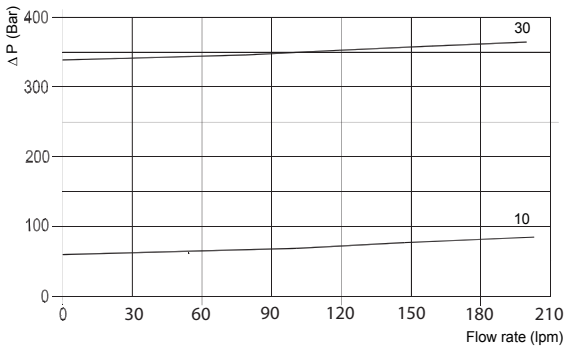
Dimensions



Hydraulic Symbol



Curves



Features

Rated Flow (lpm)	200
Max Pressure (bar)	260

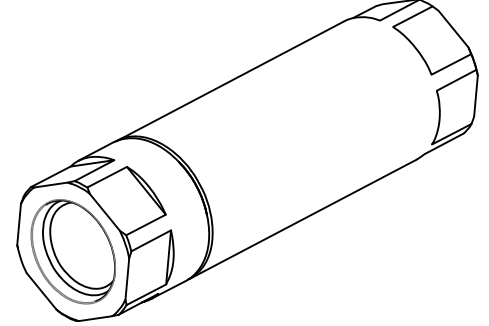
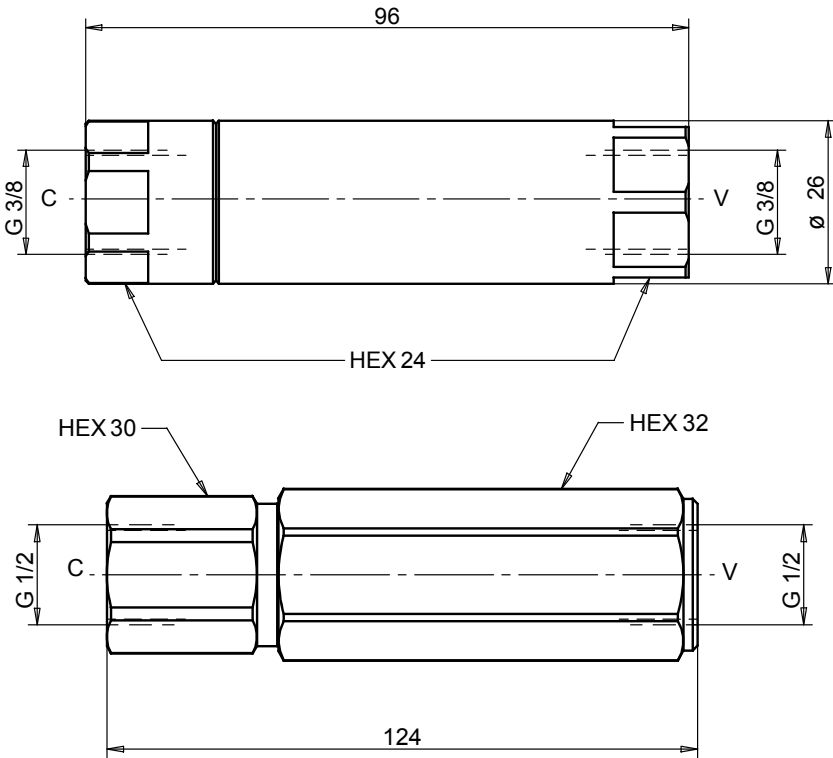
Materials: Zinc plated steel cartridge, hardened steel inner parts.
Aluminium manifold.

Ordering Code

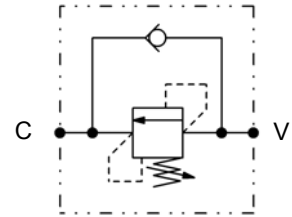
SV150		--	--	--
Port Size BSP		Spring (bar)		Adjustments
05	1	10	5-120	A Socket Screw
		30	50-350	B Handknob
				C Tamperproof Cap

Ordering Code Example: SV1500530A = 1" Port Size - 50-350 bar setting range, Socket screw adjustment.

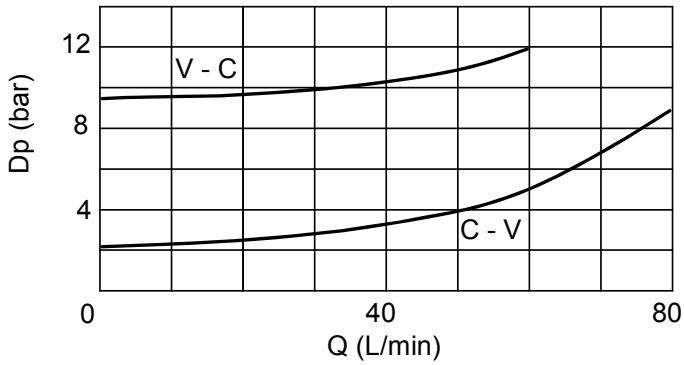
Dimensions



Hydraulic Symbol



Curves



Features

Size	02	03
Max Flow (lpm)	40	80
Max Pressure (bar)	350	350

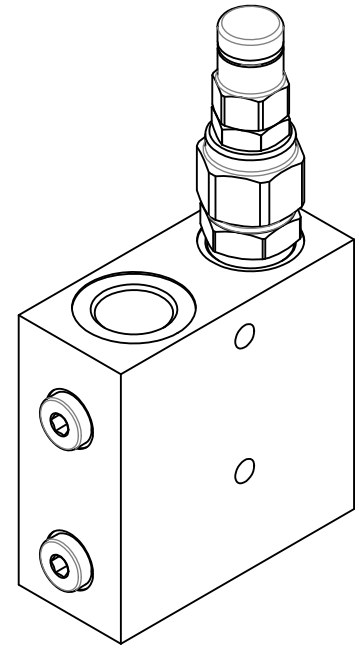
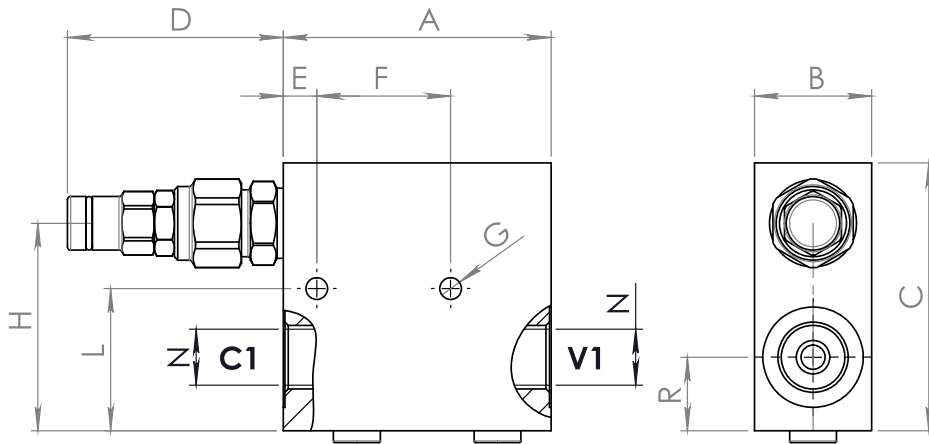
Materials: Zinc plated steel body, hardened steel inner parts.

Ordering Code

SVL		--	--
	Port Size BSP	LP-Spring (bar)	
02	3/8	10	02 03
03	1/2		30-120 30-140

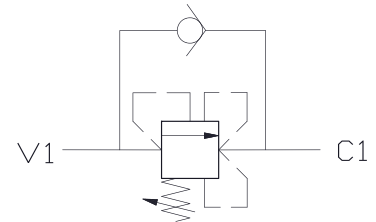
Ordering Code Example: SVL0310 = 1/2 Port Size - 30-140 bar setting range.

Dimensions

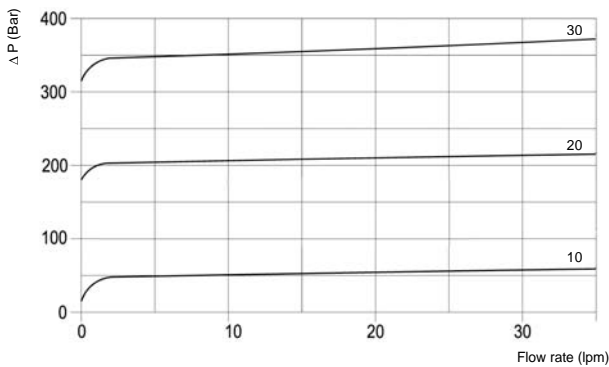


Size	A	B	C	D max	E	F	G	H	L	N BSP	R	Weight kg
02	64,5	35	80	51	10	40	6,5	62	42,5	3/8	22	0,72
03	64,5	35	80	51	10	40	6,5	62	42,5	1/2	22	0,710

Hydraulic Symbol



Curves



Features

Rated Flow (lpm)	35
Max Pressure (bar)	260

Materials: Zinc plated steel cartridge, hardened steel inner parts.
Aluminium manifold.

Ordering Code

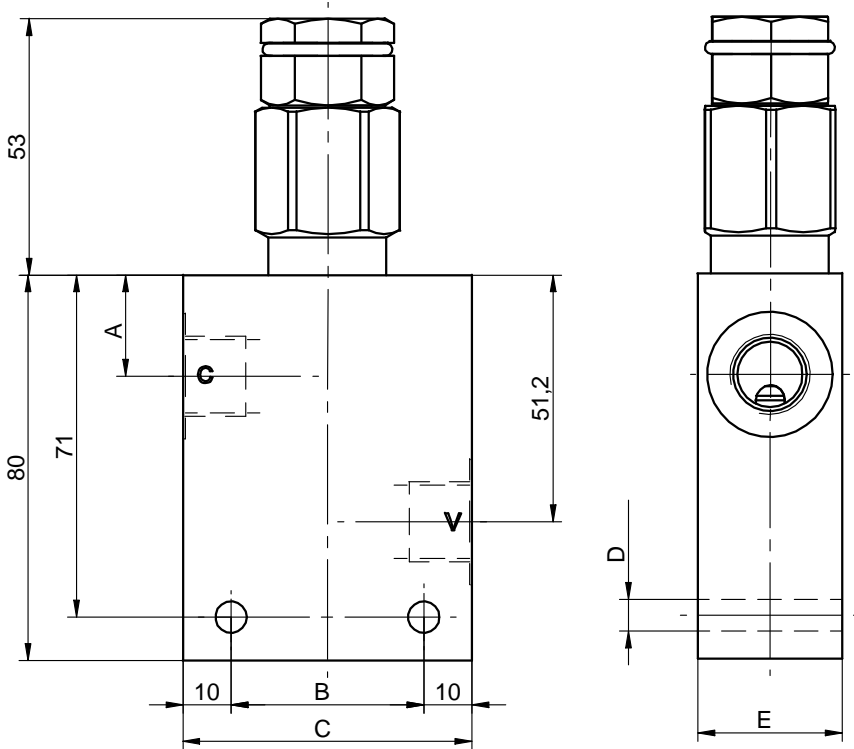
SV 35CC -- --

Port Size BSP	
02	3/8
03	1/2

Spring (bar)	
10	5-50
20	40-210
30	100-350

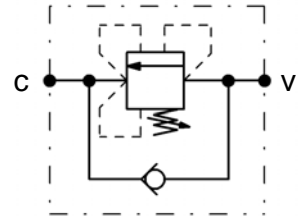
Ordering Code Example: SV35CC0220 = 3/8 Port Size - 40-210 bar setting range.

Dimensions

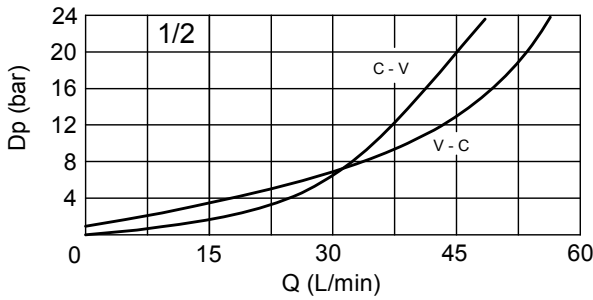


Size	A	B	C	D	E	Weight kg
02	21	40	60	6,5	30	-
03	19	50	70	8,5	35	-

Hydraulic Symbol



Curves



Features

Size	02	03
Max Flow	40 lpm	60 lpm
Max Pressure	350 bar	350 bar
Pressure setting range	100 ÷ 350 bar	100 ÷ 350 bar
Port Sizes	V - C: G 3/8	V - C: G 1/2

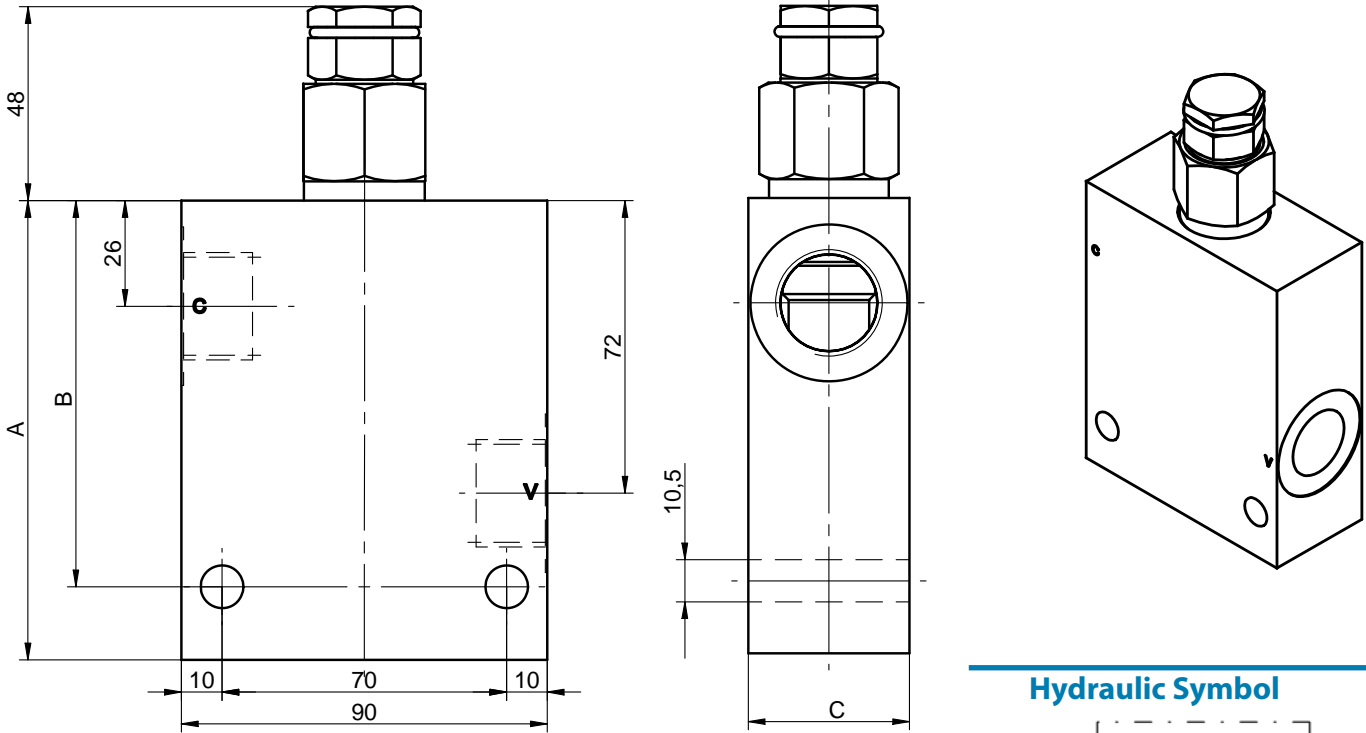
Materials: Aluminium body.

Ordering Code

SV60CC		--
		Port Size BSP
02		3/8
03		1/2

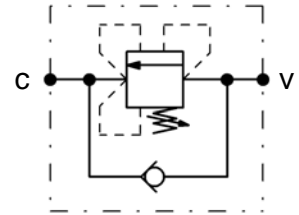
Ordering Code Example: SV60CC02 = 3/8 Port Size

Dimensions

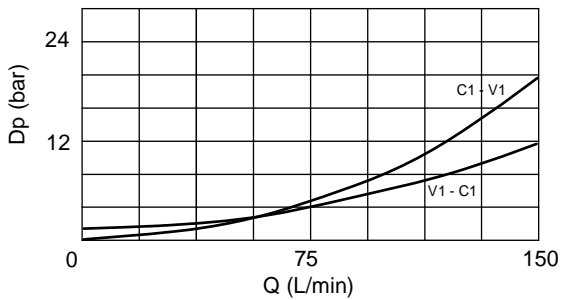


Size	A	B	C	Weight kg
04	113	95	40	-
05	120	107	50	-

Hydraulic Symbol



Curves



Features

Size	04	05
Max Flow	150 lpm	180 lpm
Max Pressure	350 bar	350 bar
Pressure setting range	100 ÷ 350 bar	100 ÷ 350 bar
Port Sizes	V - C: G 3/4	V - C: G 1

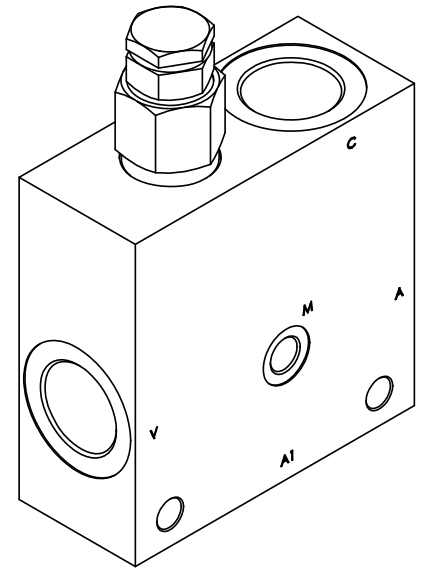
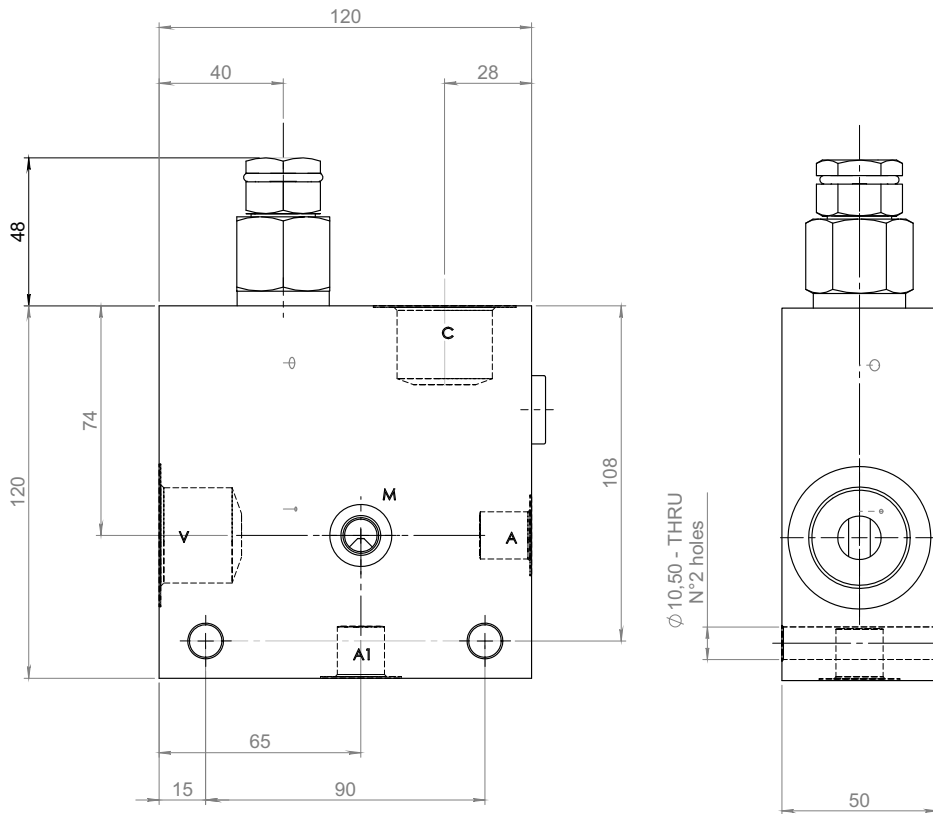
Materials: Aluminium body.

Ordering Code

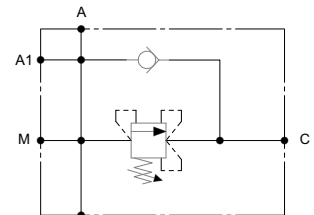
SV150CC		--
		Port Size BSP
04		3/4
05		1

Ordering Code Example: SV150CC04 = 3/4 Port Size

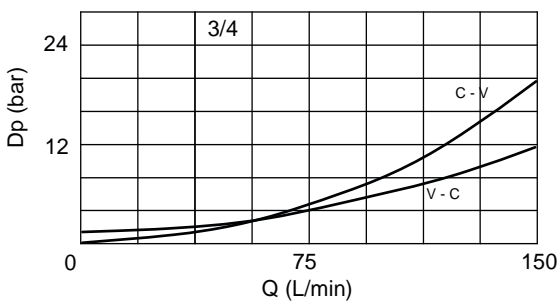
Dimensions



Hydraulic Symbol



Curves



Features

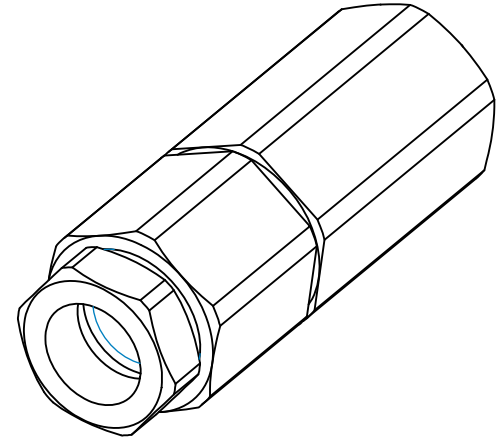
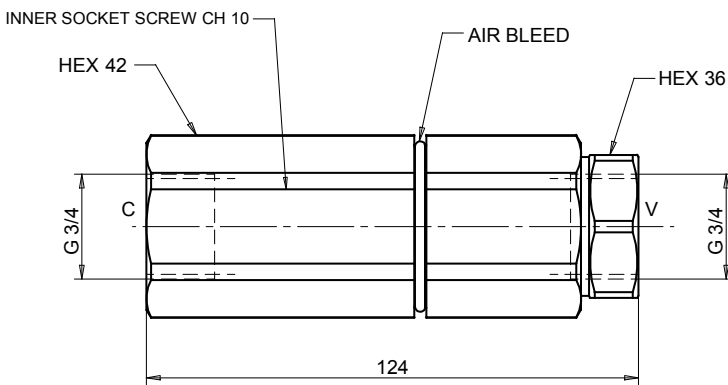
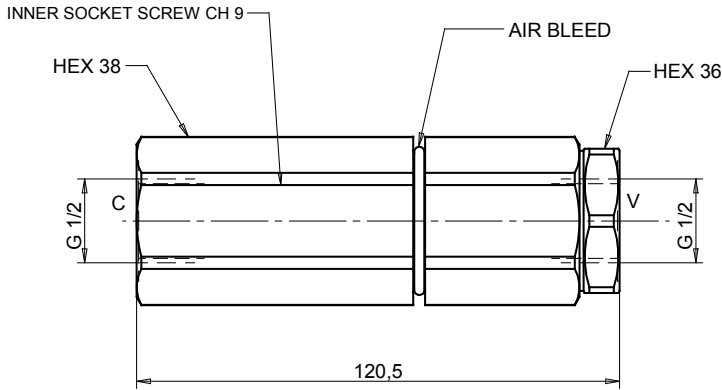
Max Flow	150 lpm
Max Pressure	250 bar
Pressure setting range	100 ÷ 350 bar
Port Sizes	V - C = G 1 BSP A - A1 = G 3/8 BSP M = G 1/4 BSP

Materials: Aluminium manifold.

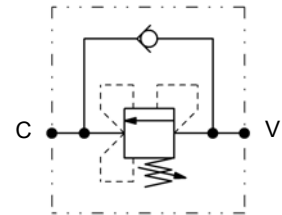
Ordering Code

SV150SUCC05

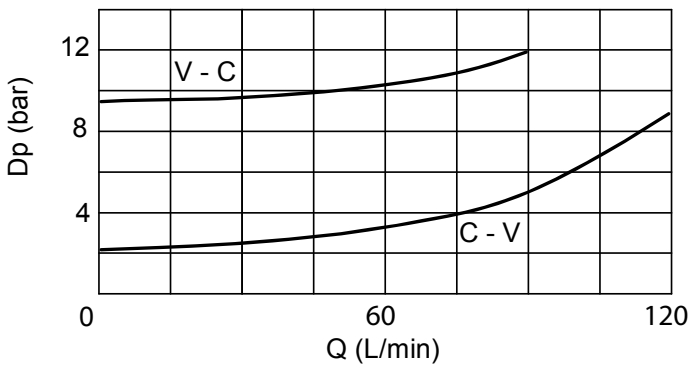
Dimensions



Hydraulic Symbol



Curves



Features

Size	03	04
Max Flow (lpm)	100	120
Max Pressure (bar)	350	350

Materials: Zinc plated steel body, hardened steel inner parts.

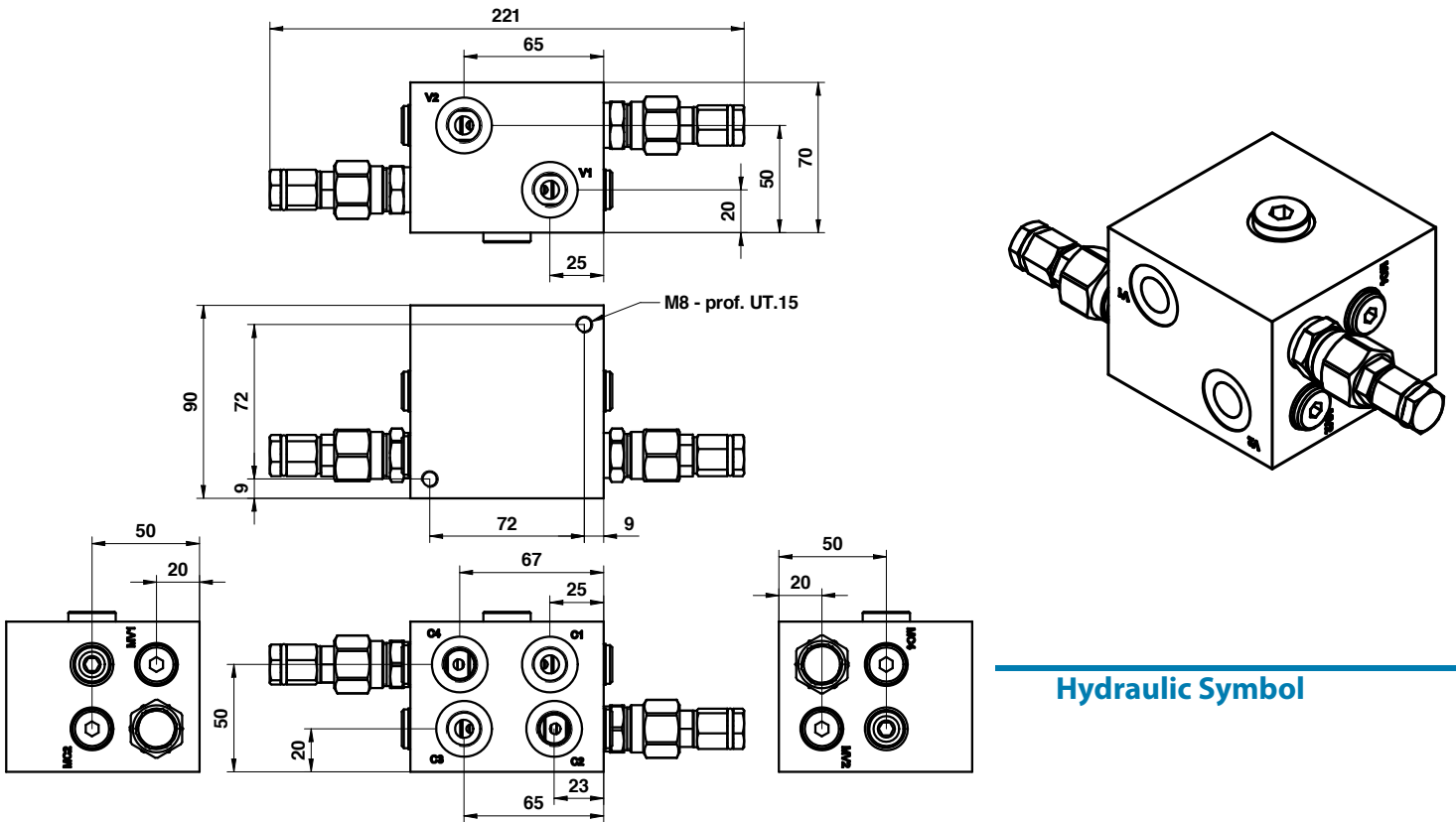
Ordering Code

SVLCC -- --

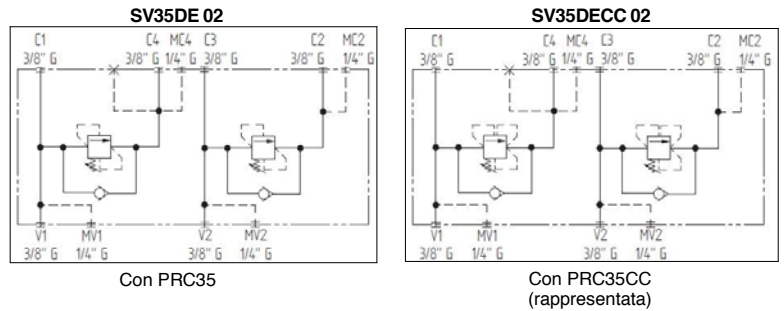
Port Size BSP		LP-Spring (bar)	
03	1/2	03	04
04	3/4	10	50-140
		20	- 80-250

Ordering Code Example: SVLCC0310 = 1/2 Port Size - 50-140 bar setting range.

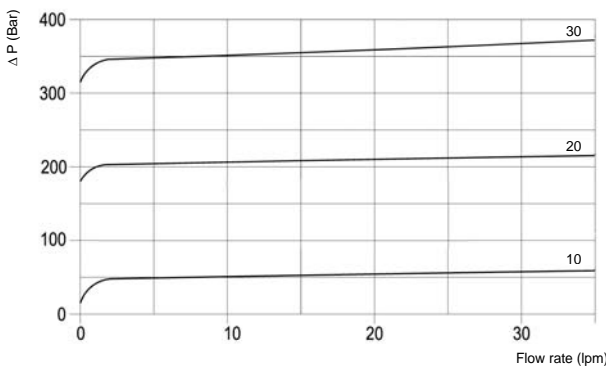
Dimensions



Hydraulic Symbol



Curves



Features

Max Flow	30 lpm
Max Pressure	250 bar
Port Sizes	V1 - V2 - C1 - C2 - C3 - C4 = G 3/8 MV1 - MV2 - MC2 - MC4 = G 1/4

Materials: Aluminium manifold.

Ordering Code

SV 35DE -- -- -

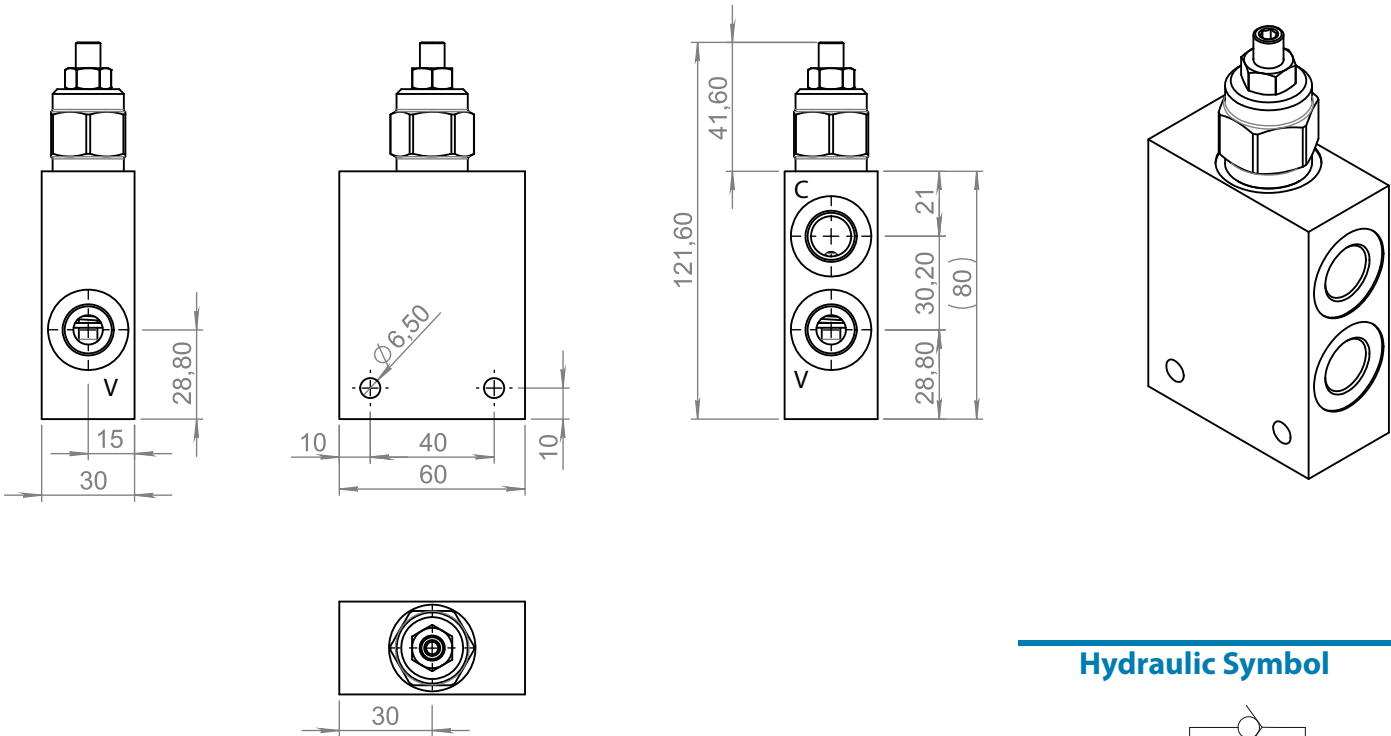
Cartridge		Spring (bar)	
02	PRC35	10	5-50
CC02	PRC35CC	20	40-210
		30	100-350

Adjustments

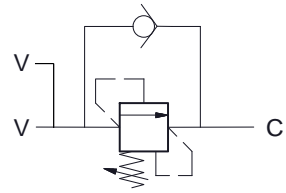
A		Socket Screw
B		Handknob
C		Tamperproof Cap

Ordering Code Example: SV35DE0220A = PRC35 Cartridge - 40-210 bar setting range, Socket screw adjustment.

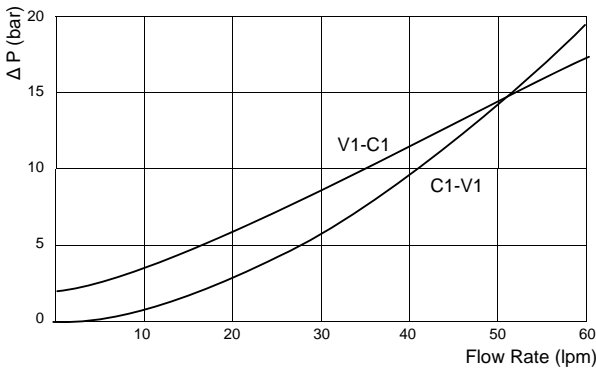
Dimensions



Hydraulic Symbol



Curves



Features

Max Flow	60 lpm
Max Pressure	260 bar
Ports Size (V,C)	3/8 BSP
Weight (kg)	0,50 kg

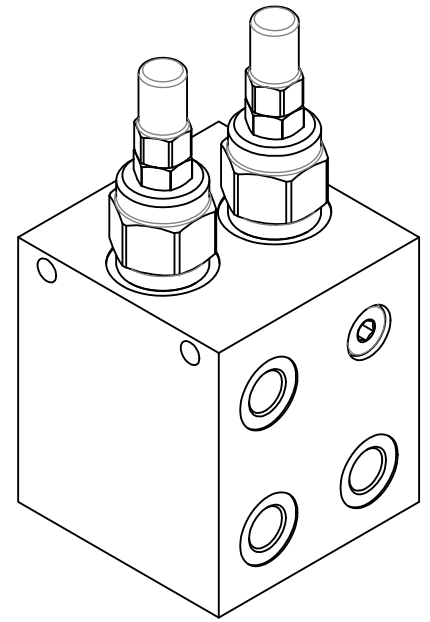
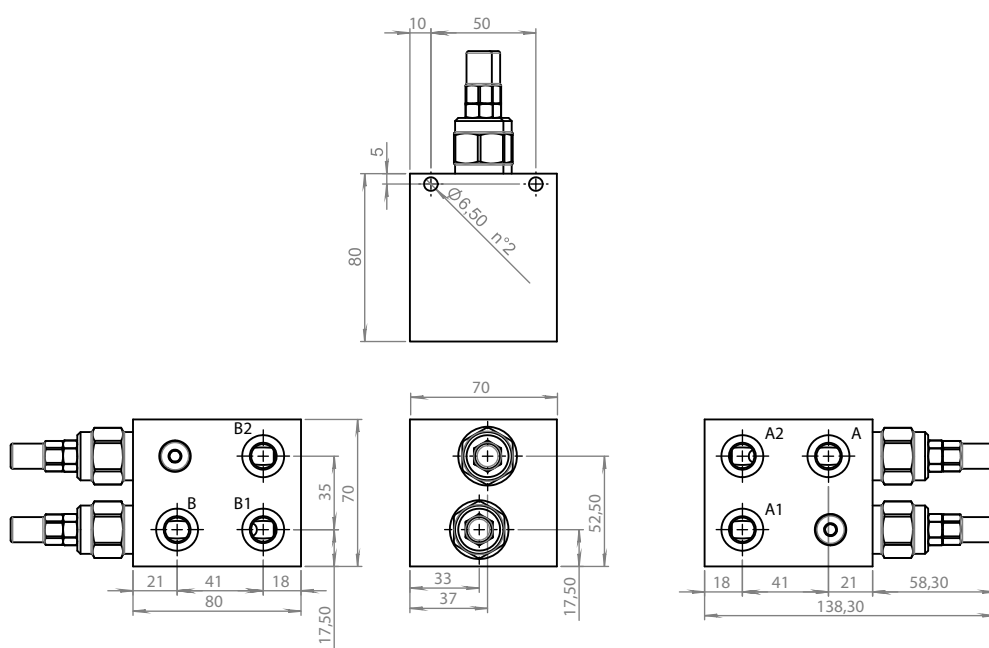
Materials: Zinc plated steel cartridge, hardened steel inner parts.
Aluminium manifold.

Ordering Code

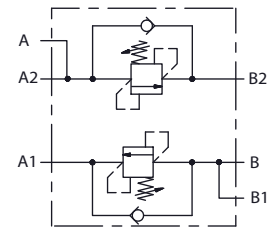
SV6002	--	MH
Spring (bar)		
20		60 -210
30		100 - 350

Ordering Code Example: SV600220MH = 3/8 Port Size - 60-210 bar setting range

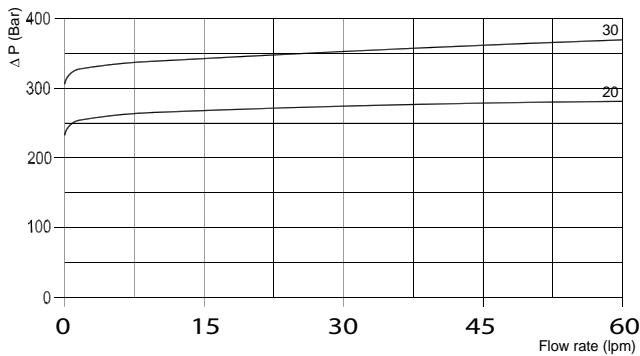
Dimensions



Hydraulic Symbol



Curves



Features

Max Flow	60 lpm
Max Pressure	350 bar
Pilot Ratio	4,2:1 Standard
Ports	3/8" bsp

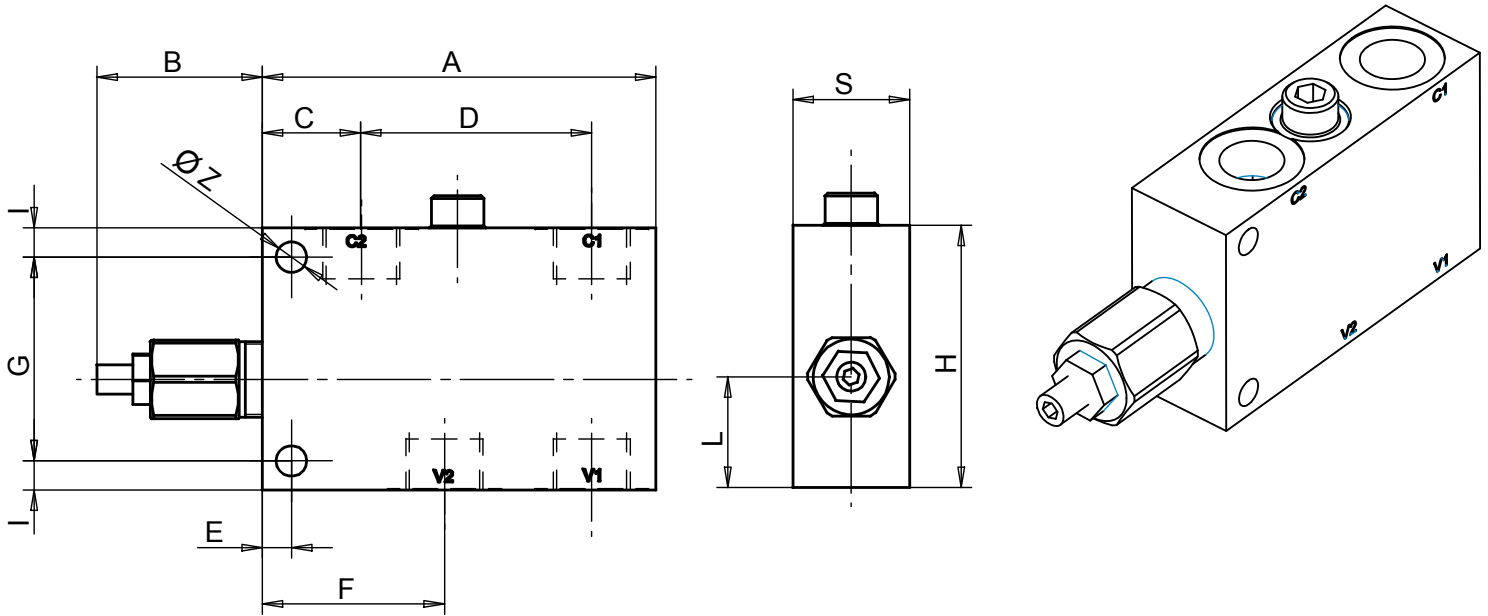
Materials: Aluminium manifold, hardened steel inner parts.

Ordering Code

DSV	--	--	SF
Port Size BSP		Spring (bar)	
02	3/8	20	60-210
		30	100-350

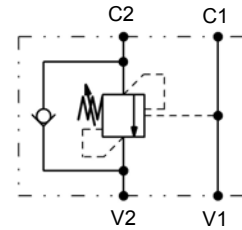
Ordering Code Example: DSV0220SF = 3/8 BSP Port Size, 60-210 bar setting range.

Dimensions

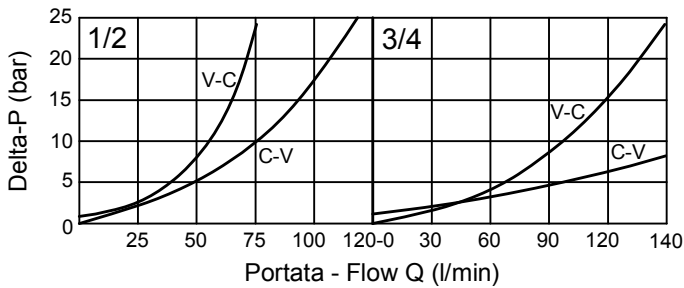


Size	A	B	C	D	E	F	G	H	I	L	S	Z	V1-V2 C1-C2
03	113	60	32,5	62,5	10	54,5	54	70	8	32	35	8,5	G 1/2
04	135	60	34	79	10	62,5	70	90	10	38	40	10,5	G 3/4

Hydraulic Symbol



Curves



Features

Std. Pressure range	100 - 350 bar	
Max Pressure	250 bar	
Pilot Ratio	3,2:1	8,2:1
1/2	Standard	On request
3/4	On request	Standard

Materials: Zinc plated steel cartridge, hardened steel inner parts.
Aluminium manifold.

Ordering Code

CBSL

--

-

Port Size BSP

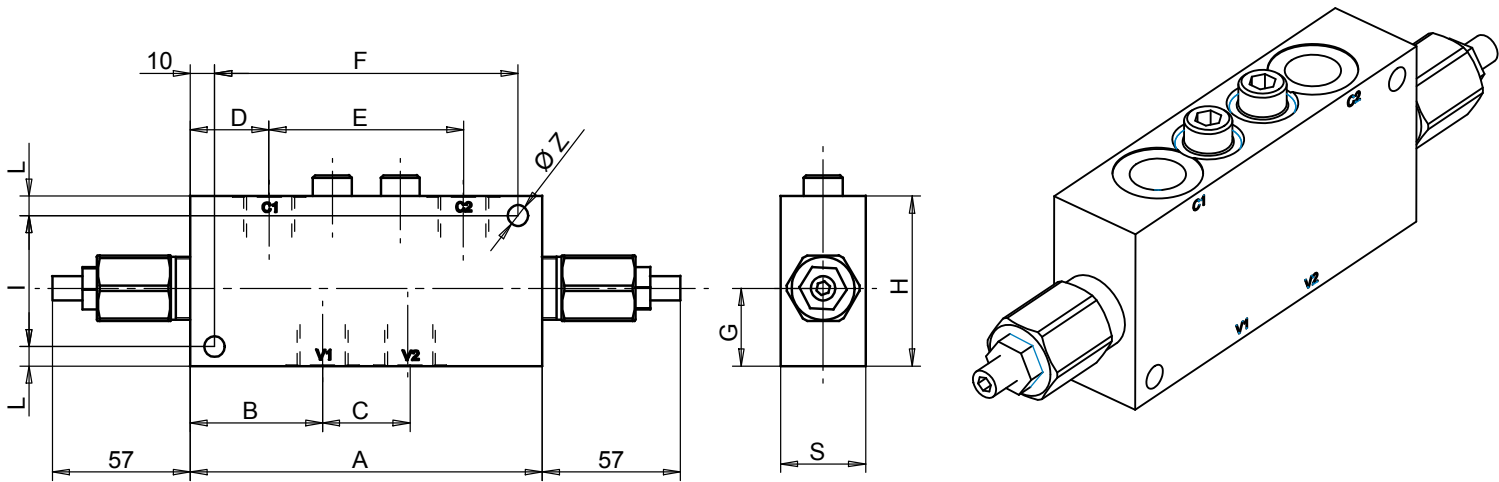
03	1/2
04	3/4

Pilot Ratio

3	3,2 : 1
8	8,2 : 1

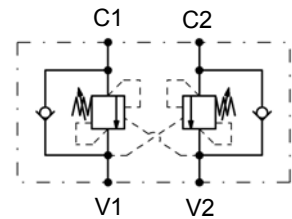
Ordering Code Example: CBSL033 - 1/2" BSP Ports - 100-350 bar setting range - 3,2 : 1 Pilotratio.

Dimensions

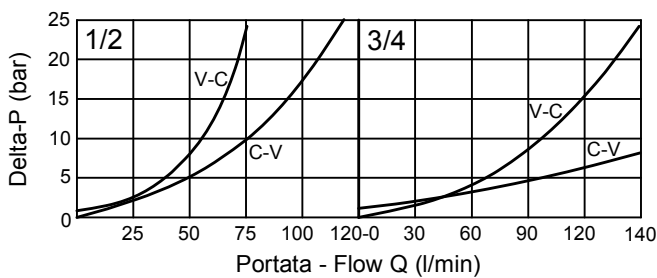


Size	A	B	C	D	E	F	G	H	I	L	S	Z	V1-V2 C1-C2
03	145	54,5	36	32,5	80	125	32	70	54	8	35	8,5	G 1/2
04	175	62,5	50	34	107	155	38	90	70	10	40	10,5	G 3/4

Hydraulic Symbol



Curves



Features

Max Pressure	350 bar
Pilot Ratio	8,2:1 Standard 3,2:1 On request
Std. Pressure range	100 - 350 bar

Materials: Zinc plated steel cartridge, hardened steel inner parts.
Aluminium manifold.

Ordering Code

CBSCDL

--

-

Port Size BSP

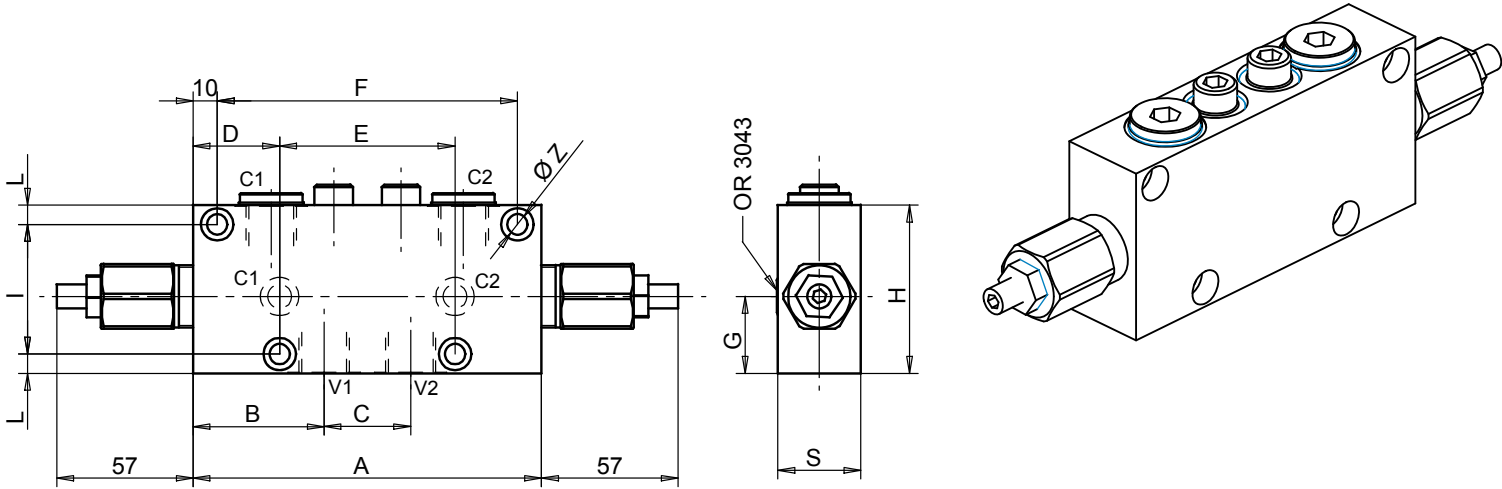
03	1/2
04	3/4

Pilot Ratio

3	3,2 : 1
8	8,2 : 1

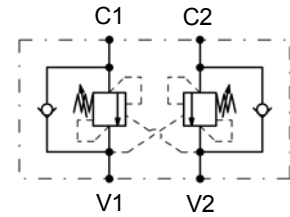
Ordering Code Example: CBSCDL048 - 3/4" BSP Ports - 100-350 bar setting range - 8,2 : 1 Pilotratio.

Dimensions

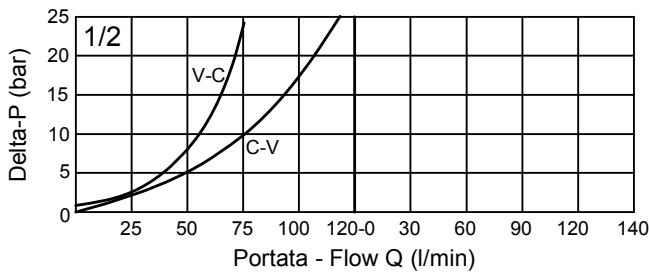


Size	A	B	C	D	E	F	G	H	I	L	S	Z	V1-V2 C1-C2
03	145	54,5	36	36	73	125	32	70	54	8	34,5	8,5	G 1/2

Hydraulic Symbol



Curves



Features

Max Pressure	350 bar
Pilot Ratio	8,2:1 Standard 3,2:1 On request
Std. Pressure range	100 - 350 bar

Materials: Zinc plated steel cartridge, hardened steel inner parts.
Aluminium manifold.

Ordering Code

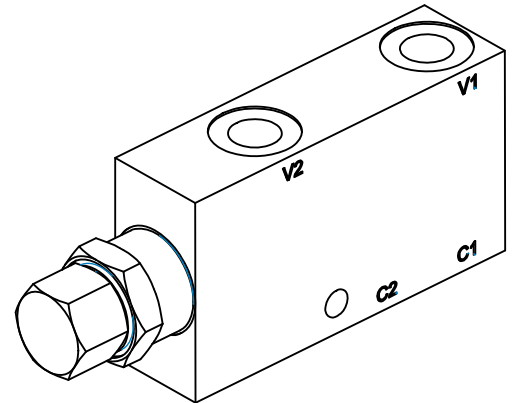
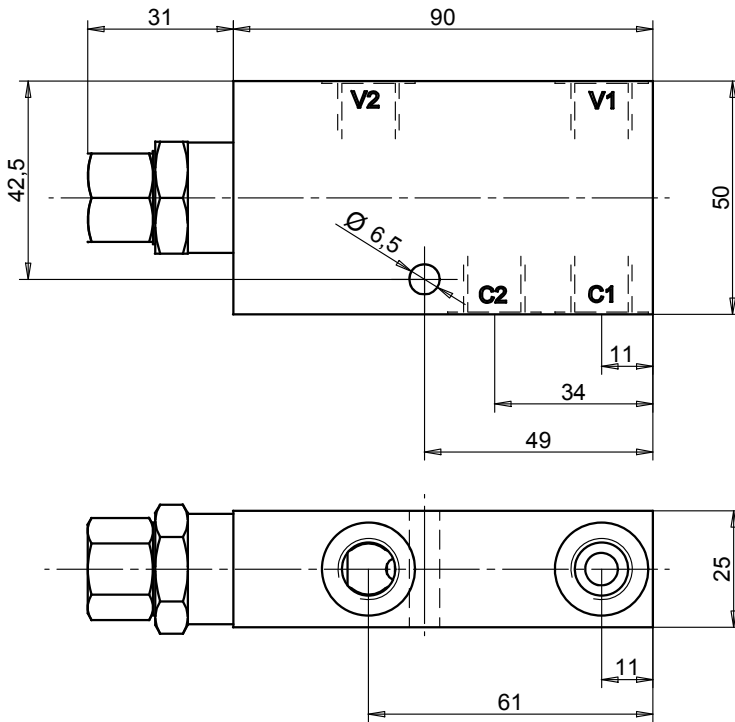
CBSCDLF - - -

Port Size BSP	
03	1/2

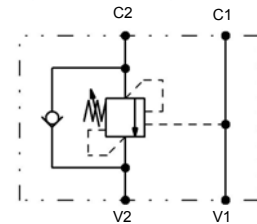
Pilot Ratio	
3	3,2:1
8	8,2:1

Ordering Code Example: CBSCDLF038 - 1/2" BSP Ports - 100-350 bar setting range - 8,2 : 1 Pilotratio.

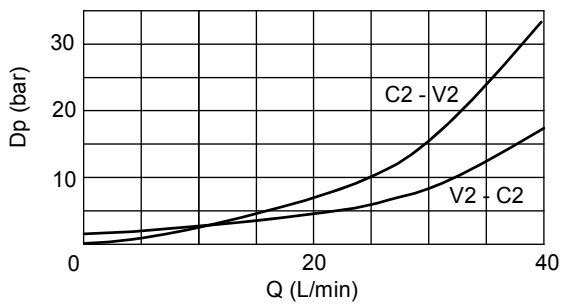
Dimensions



Hydraulic Symbol



Curves



Features

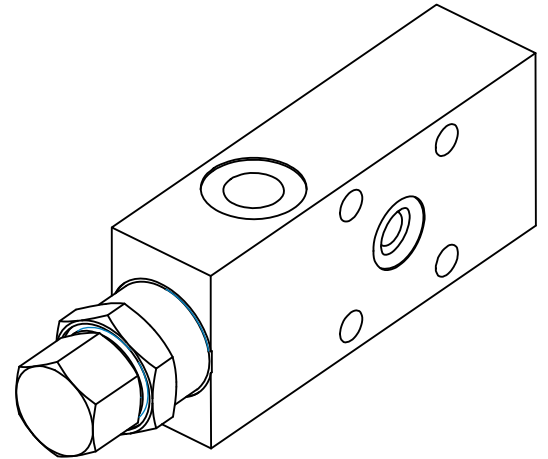
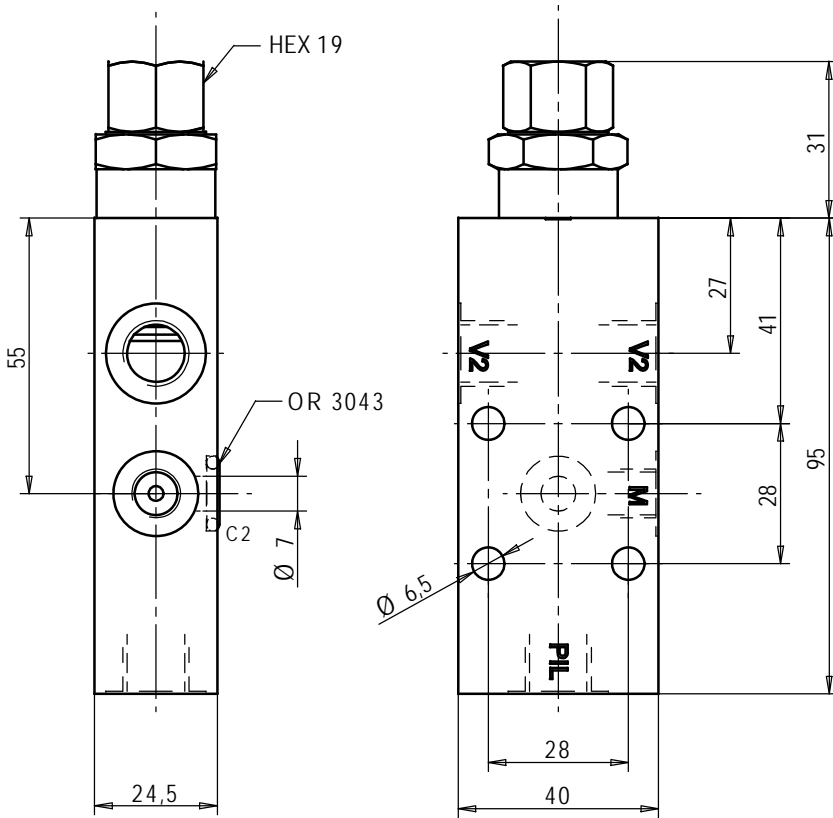
Max Flow	40 lpm
Max Pressure	220 bar
Pilot Ratio	4:1
Std. Pressure range	100 - 350 bar
Ports	V1-V2: G 1/4 C1-C2: G 1/4

Materials: Zinc plated steel cartridge, hardened steel inner parts. Aluminium manifold.

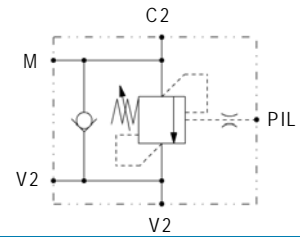
Ordering Code

CB40SL 01

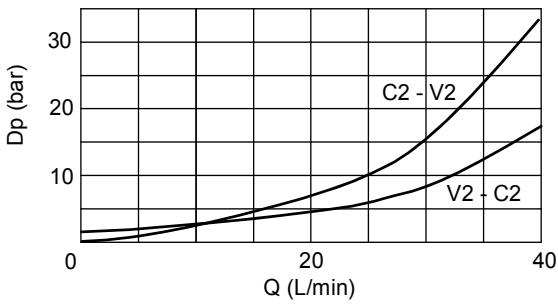
Dimensions



Hydraulic Symbol



Curves



Features

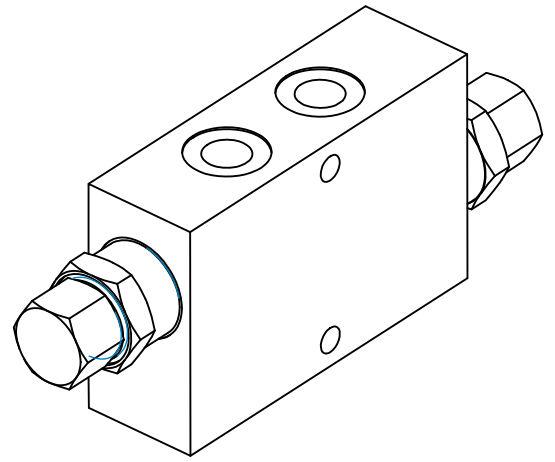
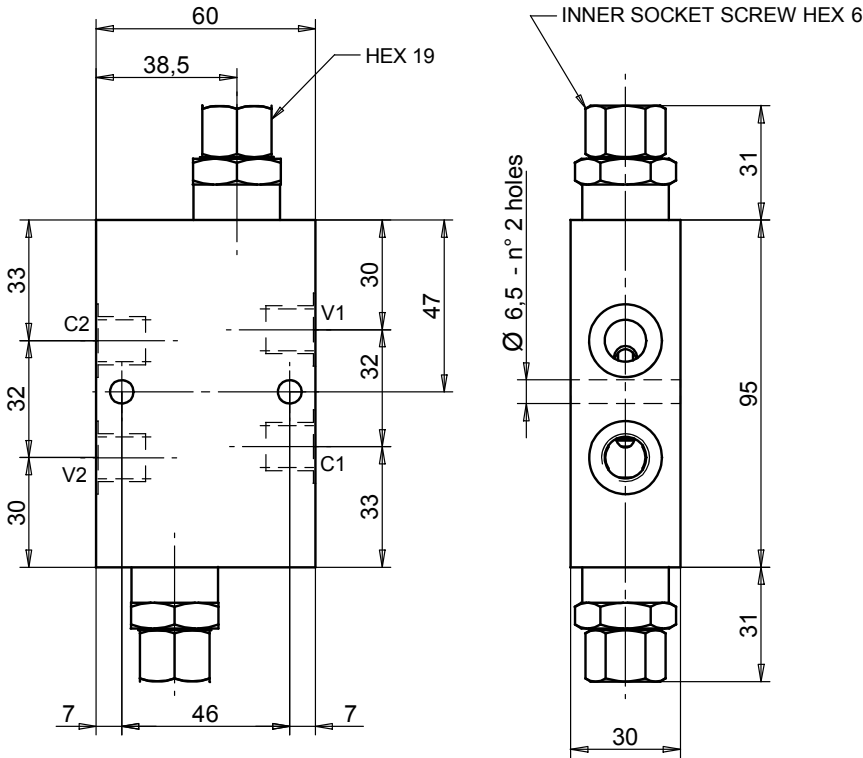
Max Flow	25 lpm
Max Pressure	350 bar
Pilot Ratio	4:1
Ports	V2-PIL: G 1/4 M: G 1/8

Materials: Zinc plated steel cartridge, hardened steel inner parts.
Aluminium manifold.

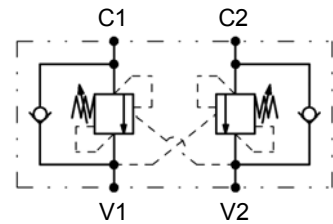
Ordering Code

CB40SLF 01

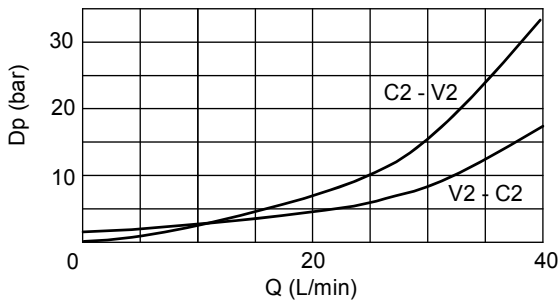
Dimensions



Hydraulic Symbol



Curves



Features

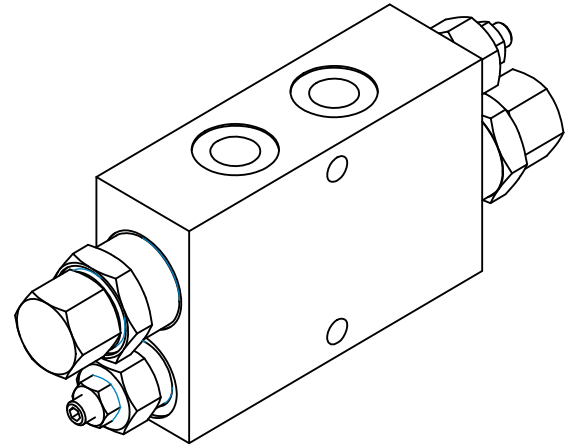
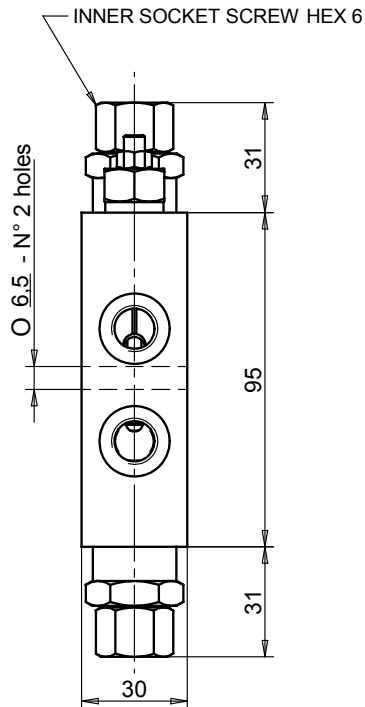
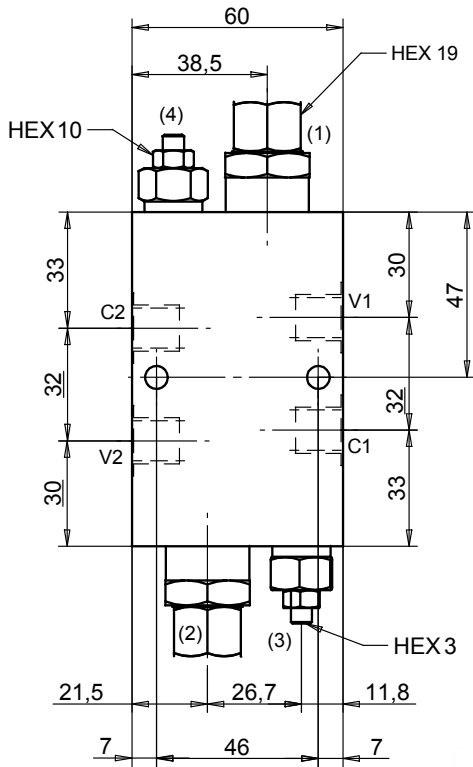
Max Flow	25 lpm
Max Pressure	350 bar
Pilot Ratio	4:1
Std. Pressure range	50 - 350 bar
Ports	V1-V2: G 1/4 C1-C2: G 1/4

Materials: Zinc plated steel cartridge, hardened steel inner parts. Aluminium manifold.

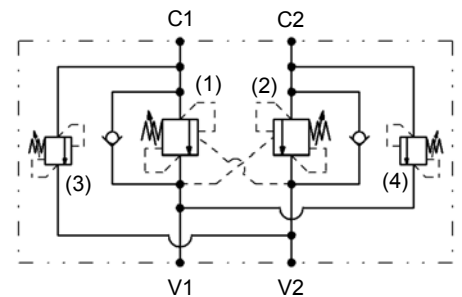
Ordering Code

CB40DL 01

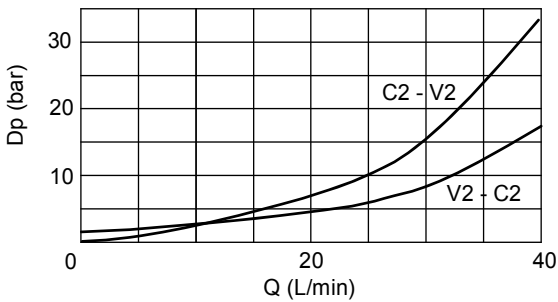
Dimensions



Hydraulic Symbol



Curves



Features

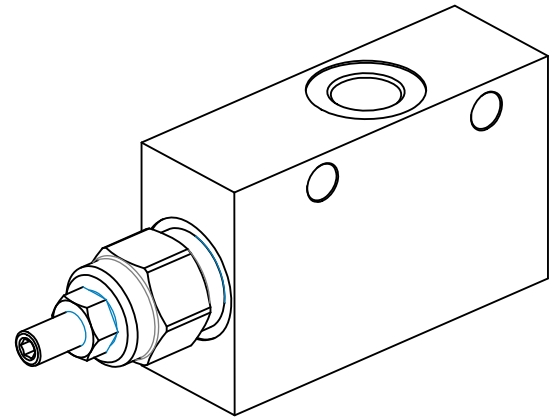
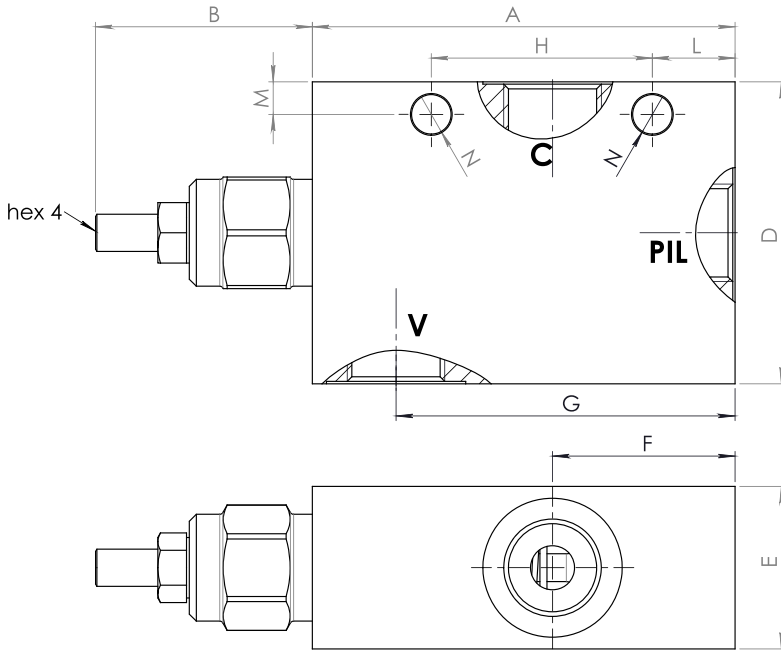
Max Flow	25 lpm
Max Pressure	350 bar
Pilot Ratio	4:1
Std. Pressure range	50-350 bar
Ports	V1-V2: G 1/4 C1-C2: G 1/4

Materials: Zinc plated steel cartridge, hardened steel inner parts. Aluminium manifold.

Ordering Code

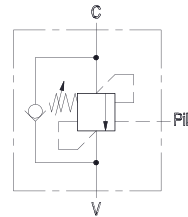
CB40DLR 01

Dimensions

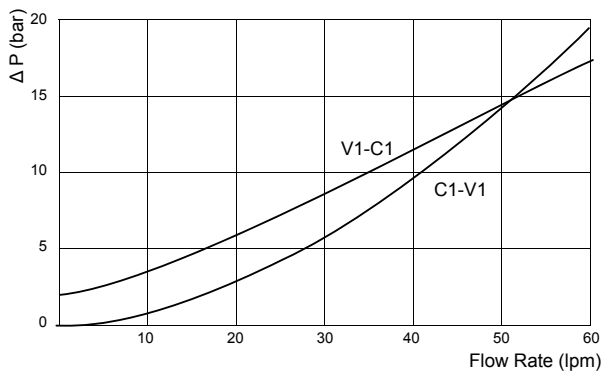


Size	A	B	C-V-PIL BSP	D	E	F	G	H	L	M	N	Weight kg
02	91	47	3/8	55	30	39,3	70,3	47,6	17,8	7	8,5	1,18
03	91	47	1/2	65	35	39,3	70,3	47,6	17,8	11	8,5	1,50

Hydraulic Symbol



Curves



Features

Rated Flow	60 lpm
Max Pressure	350 bar

Materials: Zinc plated steel manifold, hardened steel inner parts.

Notice: Relief setting at least 1,3 times the highest expected load-induced pressure.

Ordering Code

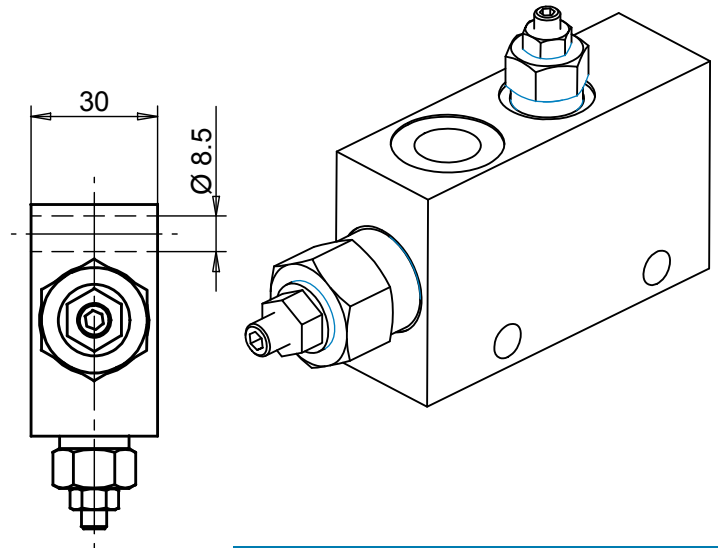
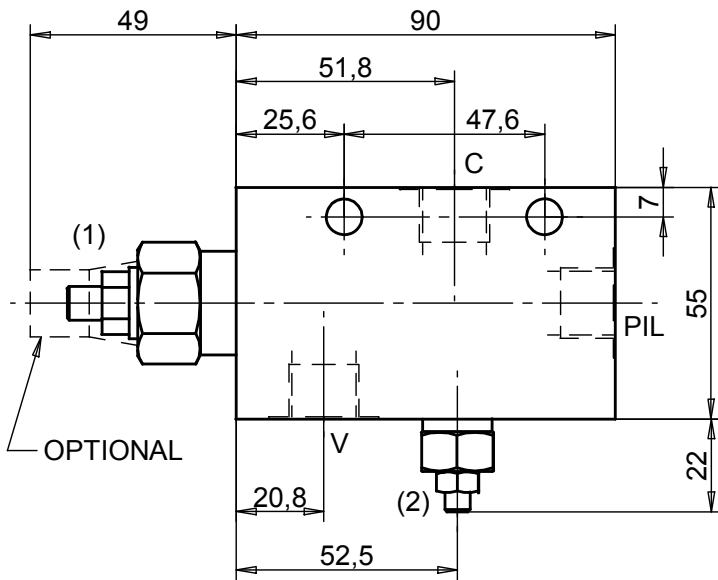
CBSEP -- -- -

Port Size BSP	Spring		
	Pressure Range (bar)	Increase (bar/turn)	Standard Setting (bar) Q=5 lpm
02	3/8		
03	1/2		
	20	60 - 210	61
	30	100 - 350	100

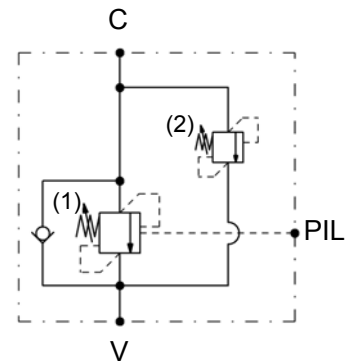
Pilot Ratio	
	4,2 : 1
8	8 : 1

Ordering Code Example: **CBSEP0330** = 1/2 BSP Ports - 100-350 bar setting range, 4,2:1 Pilot Ratio.

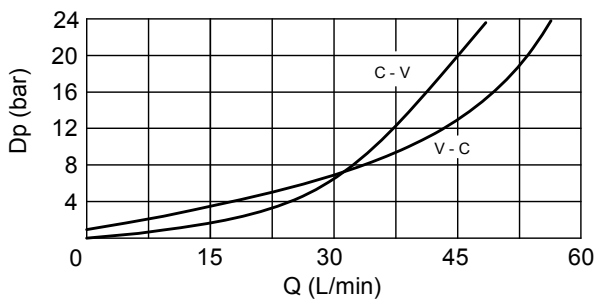
Dimensions



Hydraulic Symbol



Curves



Features

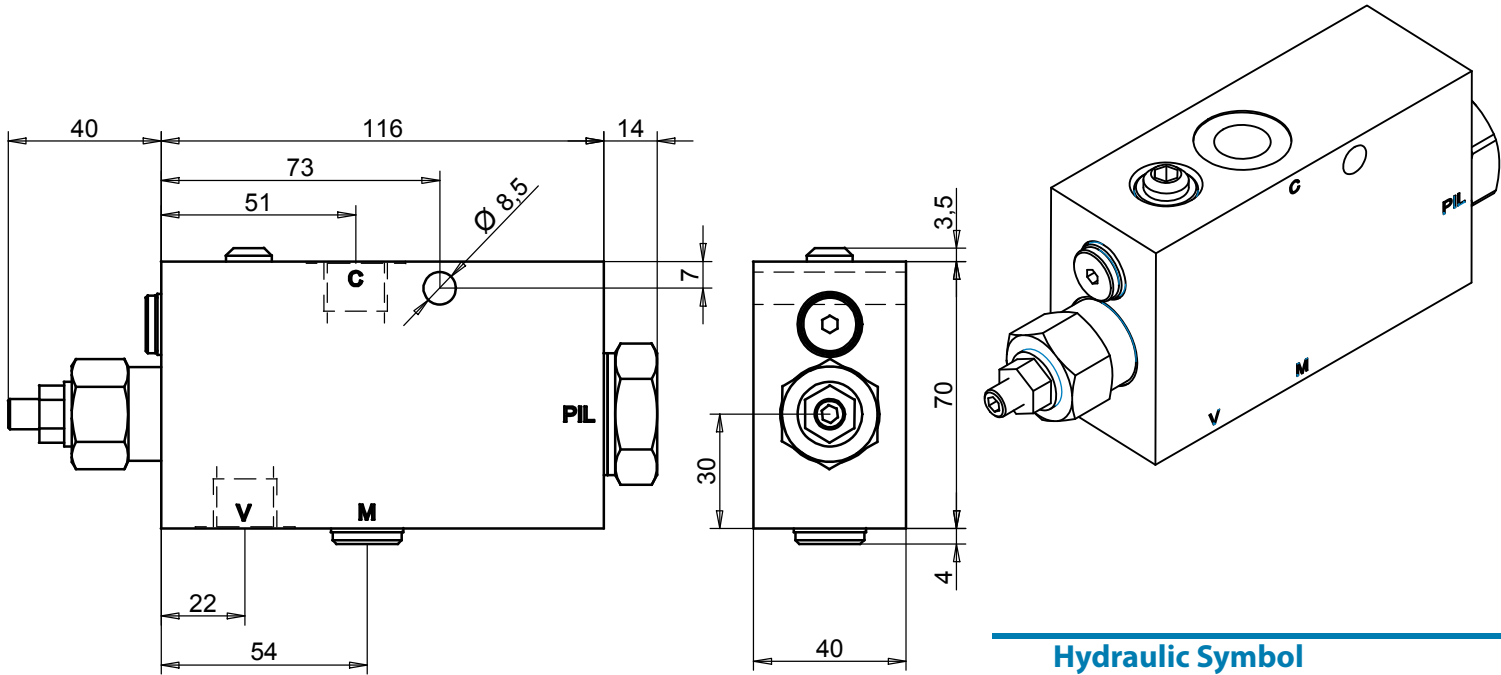
Max Flow	40 lpm
Max Pressure	350 bar
Pilot Ratio	4,2:1 Standard
Std. Pressure range	100-350 bar
Ports	3/8 bsp

Materials: Zinc plated steel cartridge, hardened steel inner parts.
Aluminium manifold.

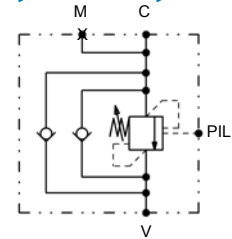
Ordering Code

CBSEPR 02

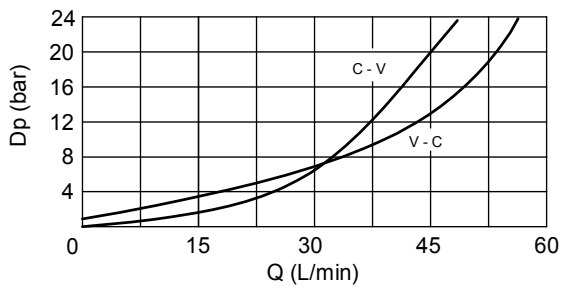
Dimensions



Hydraulic Symbol



Curves



Features

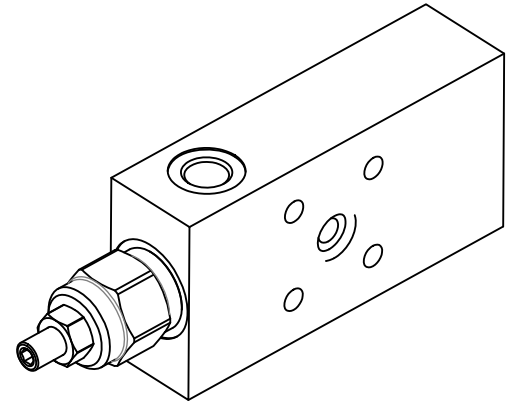
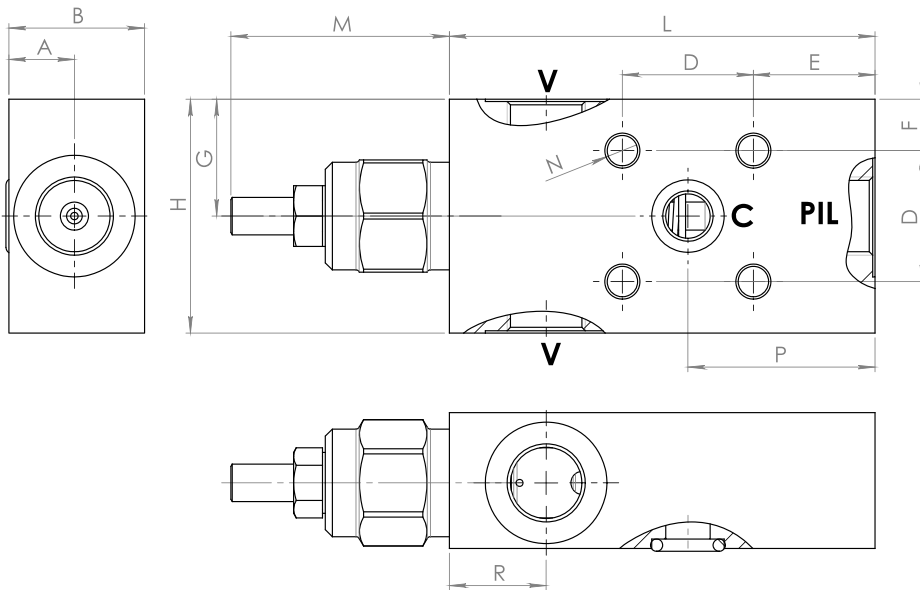
Max Flow	45 lpm
Max Pressure	350 bar
Pilot Ratio	23,2:1
Std. Pressure range	100 - 350 bar
Ports	V-C: G 3/8 M-PIL: G 1/4

Materials: Zinc plated steel cartridge, hardened steel inner parts. Aluminium manifold.

Ordering Code

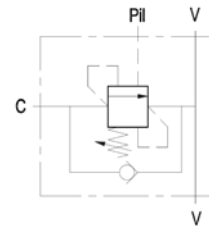
CBSEPACR 02

Dimensions

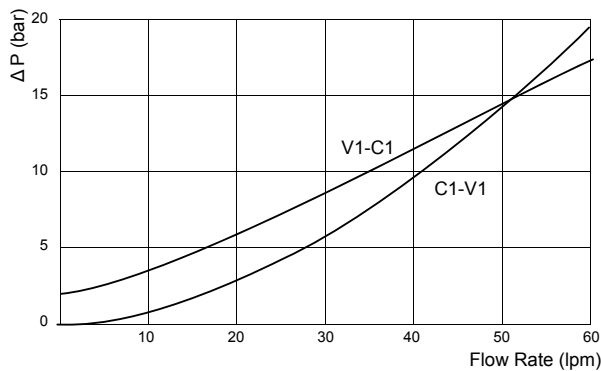


Size	A	B	C-V-PIL	D	E	F	G	H	L	M MAX	N	Weight kg
02	14	29	3/8	28	26	11	25	50	91	47	6,5	0,97

Hydraulic Symbol



Curves



Features

Max Flow	60 lpm
Max Pressure	350 bar

Materials: Zinc plated steel manifold, hardened steel inner parts.

Notice: Relief setting at least 1,3 times the highest expected load-induced pressure.

Ordering Code

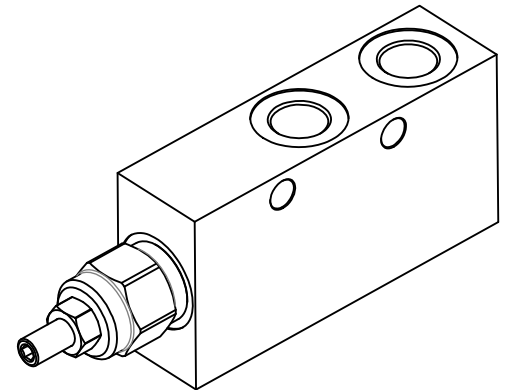
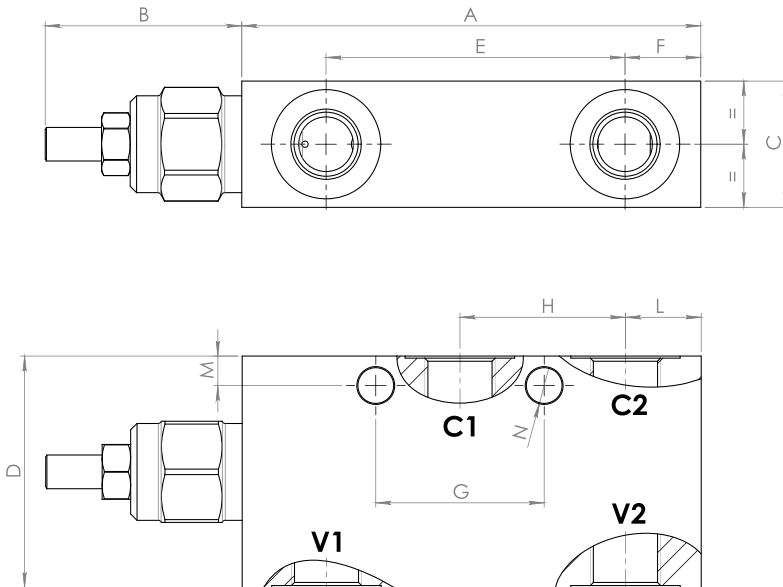
CBSEPF -- -- -

Port Size BSP	Spring		
	Pressure Range (bar)	Increase (bar/turn)	Standard Setting (bar) Q=5 lpm
02	3/8		
20	60 - 210	61	180
30	100 - 350	100	250

Pilot Ratio	
	4,2 : 1
8	8 : 1

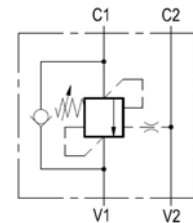
Ordering Code Example: CBSEPF0230 = 1/2 BSP Ports - 100-350 bar setting range, 4,2:1 Pilot Ratio.

Dimensions

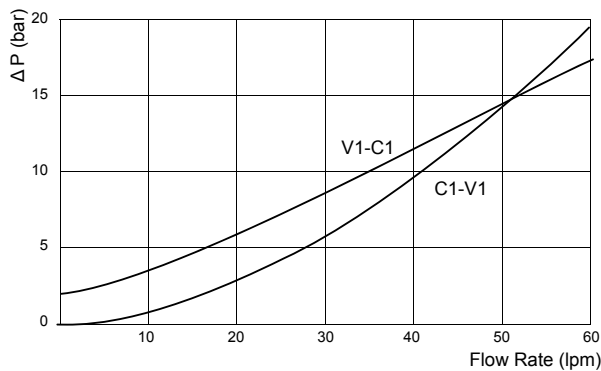


Size	A	B	C	C1 - C2 V1 - V2	D	E	F	G	H	L	M	N	Weight kg
02	109	47	30	3/8	55	71	18	40	39,3	18	7	8,5	1,18
03	109	47	35	1/2	65	71	18	40	39,3	18	8	8,5	1,75

Hydraulic Symbol



Curves



Features

Rated Flow	60 lpm
Max Pressure	350 bar

Materials: Zinc plated steel manifold, hardened steel inner parts.

Notice: Relief setting at least 1,3 times the highest expected load-induced pressure.

Ordering Code

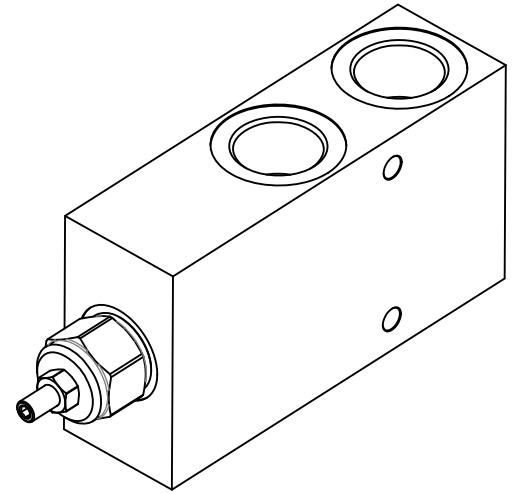
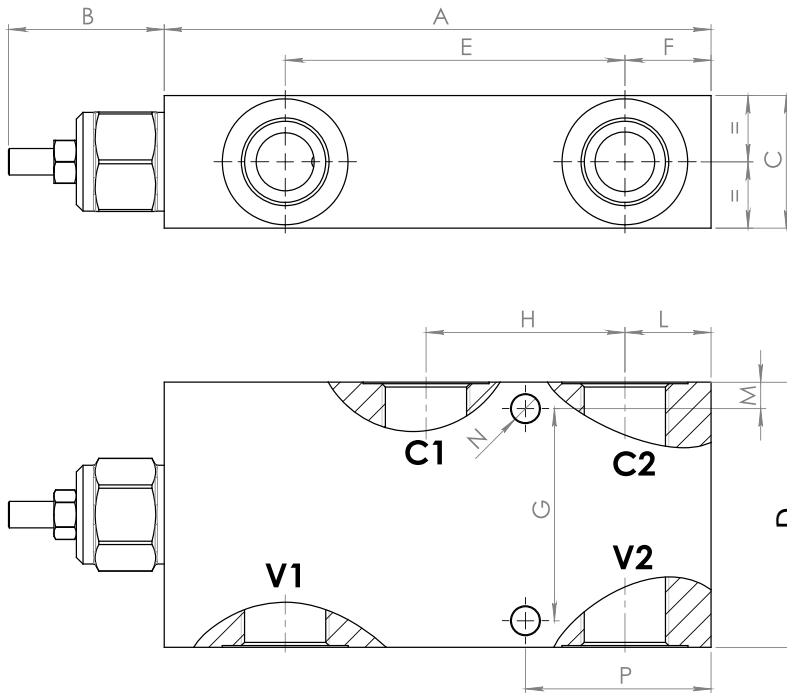
CBSL -- -- -

Port Size BSP	Spring		
	Pressure Range (bar)	Increase (bar/turn)	Standard Setting (bar) Q=5 lpm
02	3/8		
03	1/2		
	20	60 - 210	61
	30	100 - 350	100
			180
			250

Pilot Ratio	
	4,2 : 1
8	8 : 1

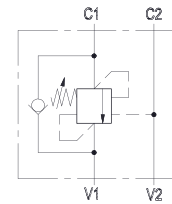
Ordering Code Example: CBSL0330 = 1/2 BSP Ports - 100-350 bar setting range, 4,2:1 Pilot Ratio.

Dimensions

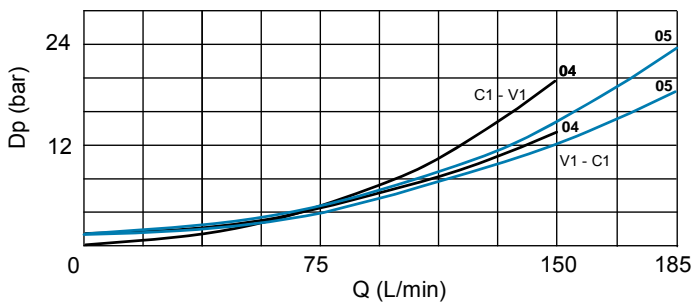


Size	A	B _{max}	C	C1 - C2 V1 - V2	D	E	F	G	H	L	M	N	P	Weight kg
04	165	47	40	3/4	80	102,5	26	64	60	26	8	8,5	56	1,53
05	165	47	50	1	90	102,5	26	64	60	26	13	8,5	56	2,04

Hydraulic Symbol



Curves



Features

Rated Flow	(04) 150 lpm - (05) 180 lpm
Max Pressure	350 bar
Pilot Ratio	6:1

Materials: Zinc plated steel cartridge, hardened steel inner parts.
Aluminium manifold.

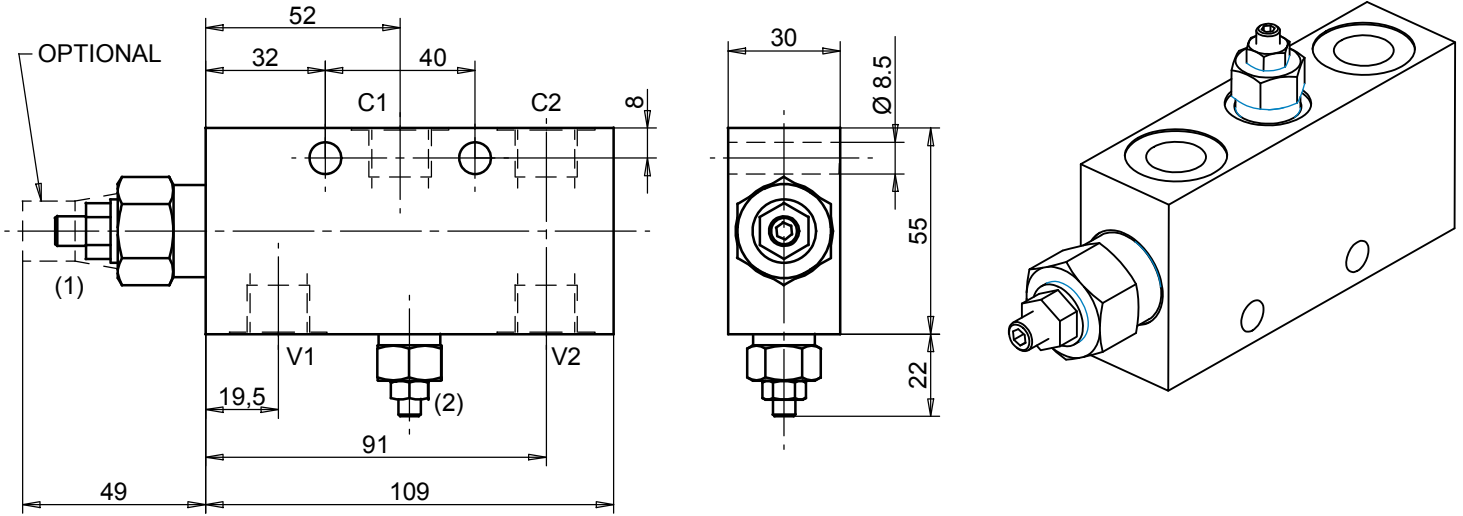
Ordering Code

CBSLA -- --

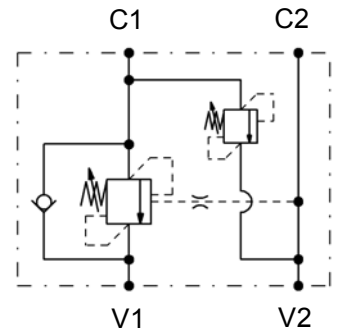
Port Size BSP		Spring		
Size	Port Size	Pressure Range (bar)	Increase (bar/turn)	Standard Setting (bar) Q=5 lpm
04	3/4	20	35	150
05	1			
		30	60	200

Ordering Code Example: CBSLA0430 - 3/4" BSP Ports - 100-350 bar setting range.

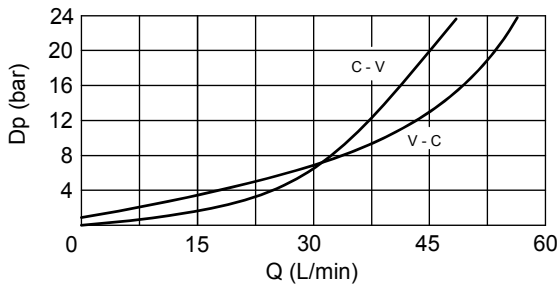
Dimensions



Hydraulic Symbol



Curves



Features

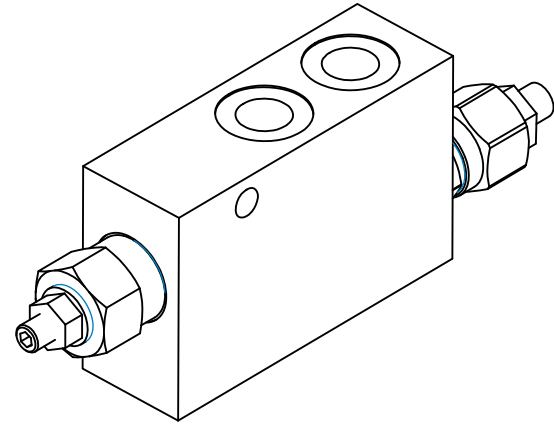
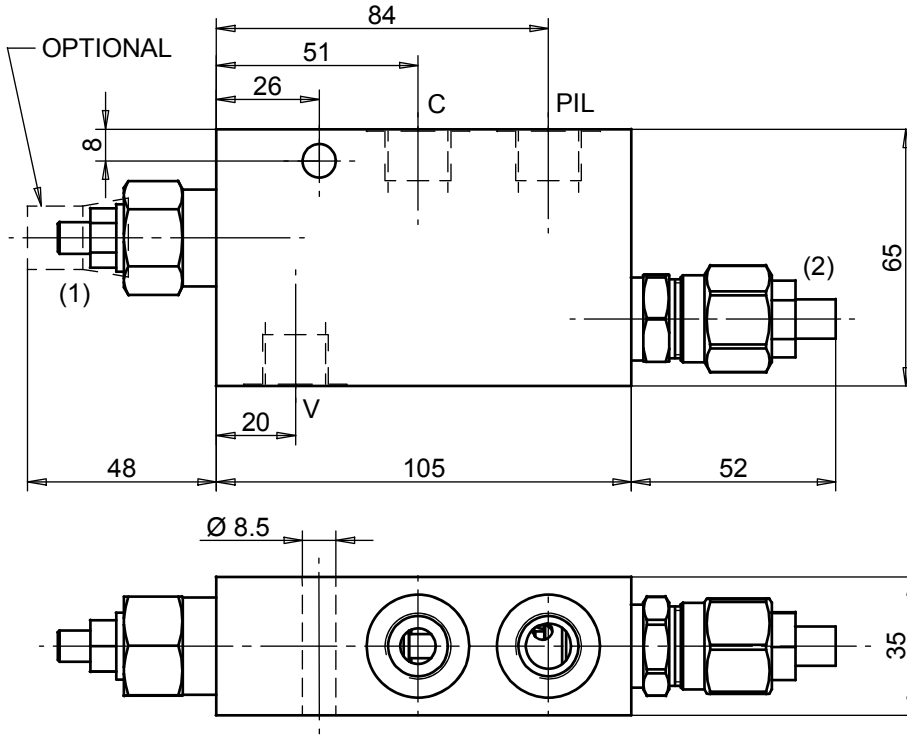
Max Flow	40 lpm
Max Pressure	350 bar
Pilot Ratio	4,2:1 Standard
Std. Pressure range	100 - 350 bar
Ports	3/8 bsp

Materials: Zinc plated steel manifold, hardened steel inner parts.

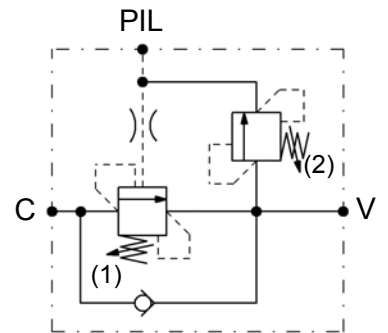
Ordering Code

CBSLR 02

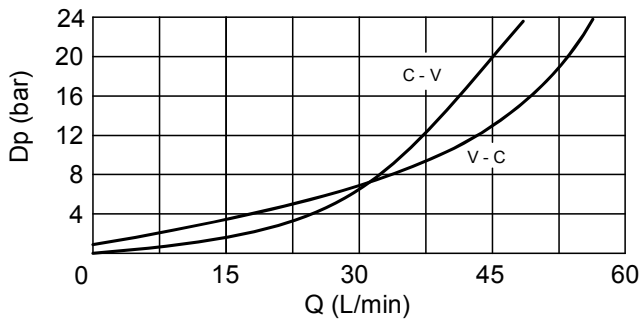
Dimensions



Hydraulic Symbol



Curves



Features

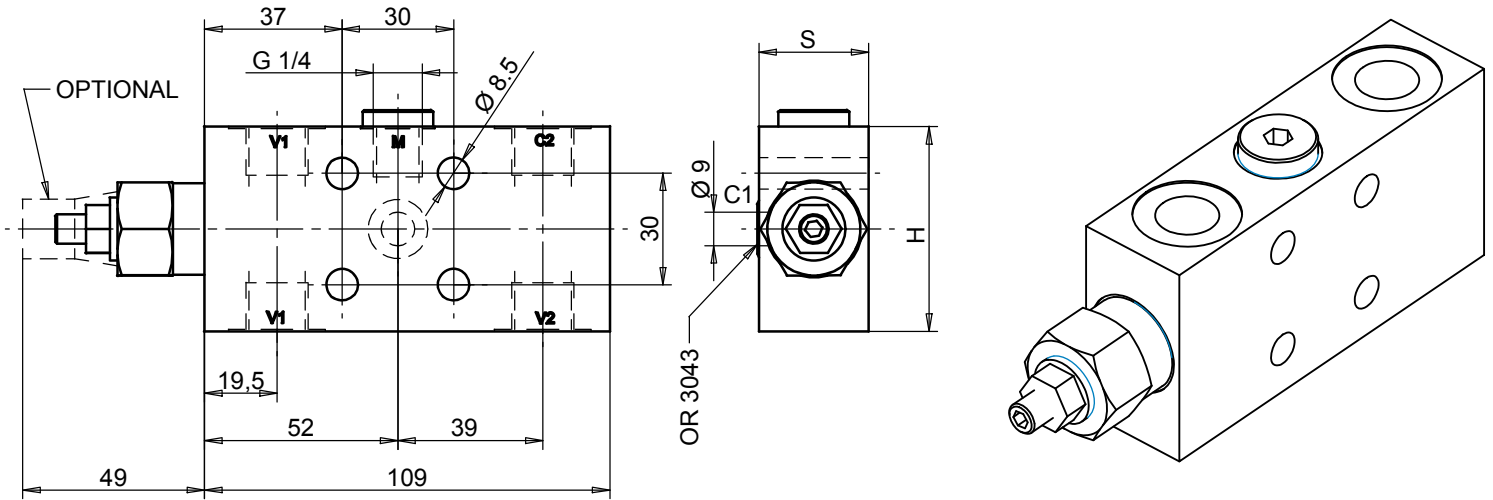
Max Flow	40 lpm
Max Pressure	250 bar
Pilot Ratio	4,2:1 Standard
Std. Pressure range	(1) - (2): 100 - 350 bar
Ports	3/8 bsp

Materials: Zinc plated steel manifold, hardened steel inner parts.

Ordering Code

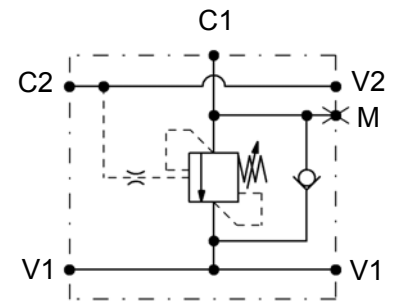
CBSL35R 02

Dimensions

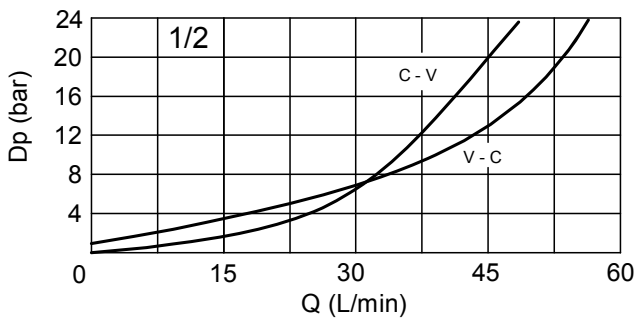


Size	V1-V2 C2	H	S
02	G 3/8	55	30
03	G 1/2	65	35

Hydraulic Symbol



Curves



Features

Max Flow	60 lpm
Max Pressure	350 bar
Pilot Ratio	4,2:1 Standard
Std. Pressure range	100 - 350 bar

Materials: Zinc plated steel manifold, hardened steel inner parts.

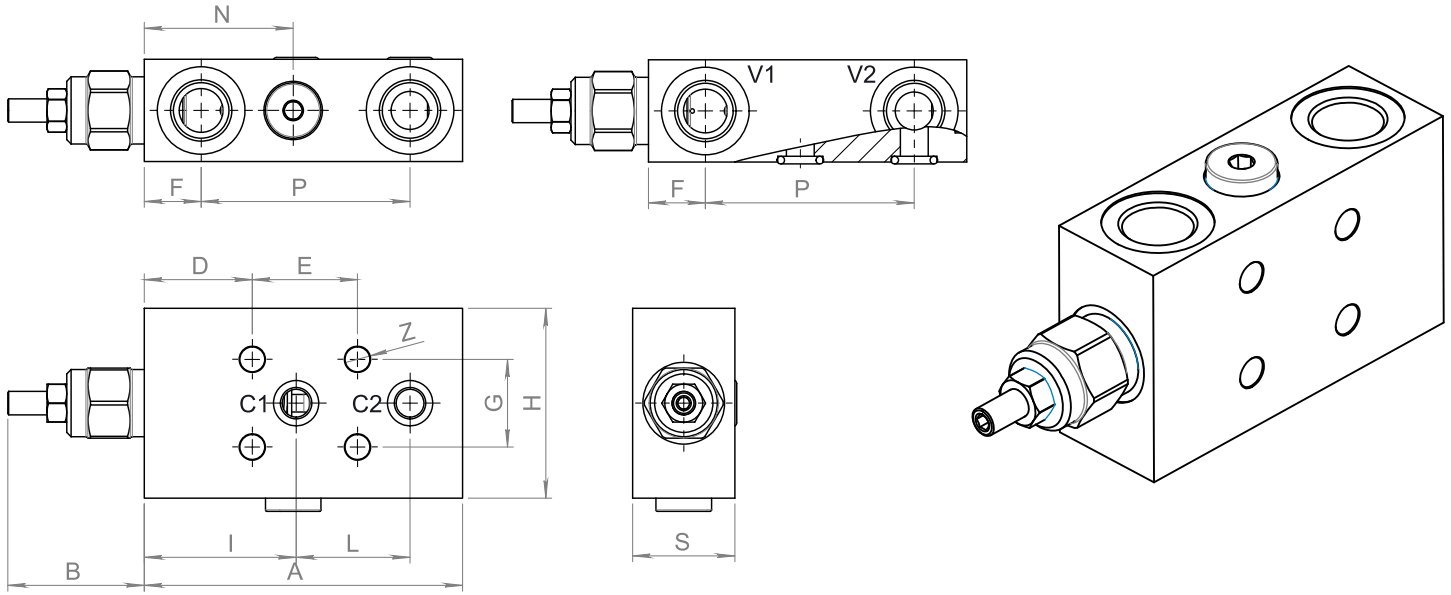
Ordering Code

CBSL1F --

	Port Size BSP
02	3/8
03	1/2

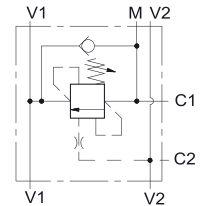
Ordering Code Example: CBSL1F02 - 3/8" BSP Ports - 100-350 bar setting range.

Dimensions

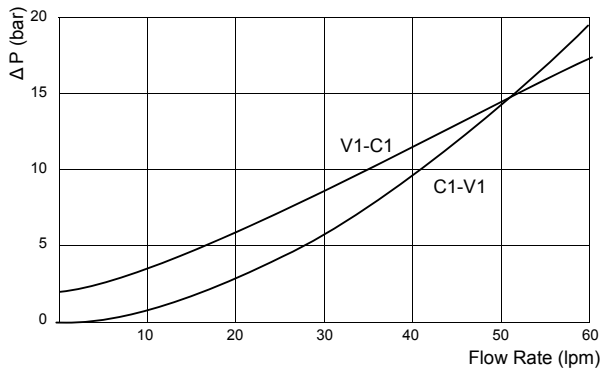


Size	C1 - C2 V1 - V2 bsp	M bsp	A	B	D	E	F	G	H	I	L	N	P	S	Z	Weight kg
02	3/8	1/4	109	46,7	37	36	20,7	30	55	51,7	39,3	51	70,3	30	8,5	1,26
03	1/2	1/4	109	46,7	37	36	19,5	30	65	52	39	51	71,5	35	8,5	1,74

Hydraulic Symbol



Curves



Features

Max Flow	60 lpm
Max Pressure	350 bar
Std. Pressure range	100-350 bar

Notice: Relief setting at least 1,3 times the highest expected load-induced pressure.

Ordering Code

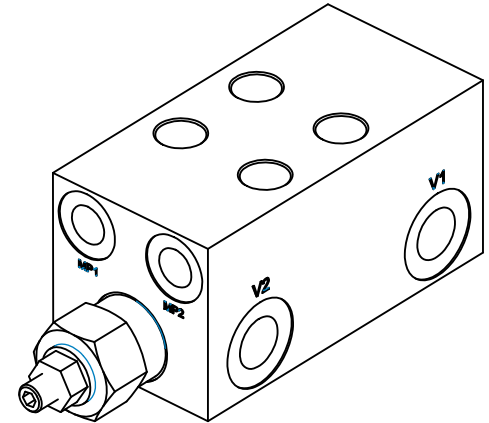
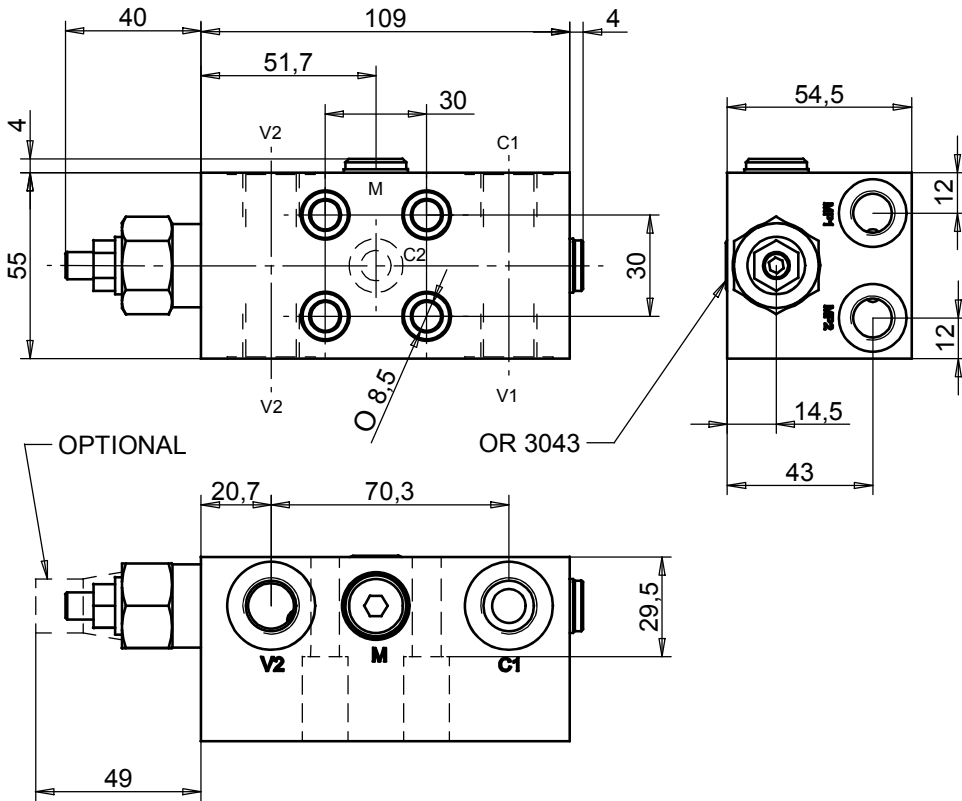
CBSL2F -- -- -

Port Size BSP		Spring		
Size	Port Size	Pressure Range (bar)	Increase (bar/turn)	Standard Setting (bar) Q=5 lpm
02	3/8	20	60 - 210	61
03	1/2			
		30	100 - 350	100

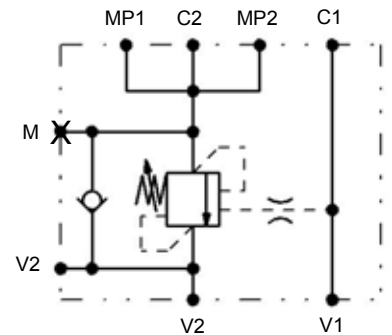
Pilot Ratio	
	4,2 : 1
8	8 : 1

Ordering Code Example: CBSL2F0230 - 3/8" BSP Ports - 100-350 bar setting range - 4,2 : 1Pilot Ratio.

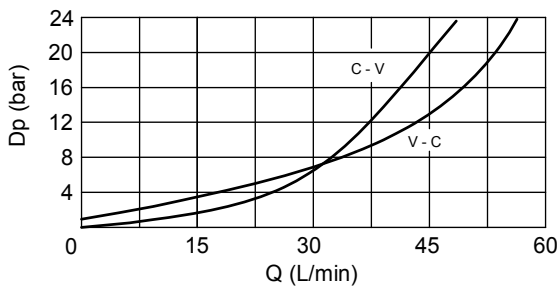
Dimensions



Hydraulic Symbol



Curves



Materials: Zinc plated steel body

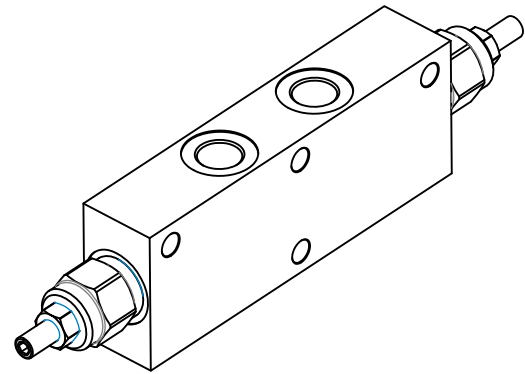
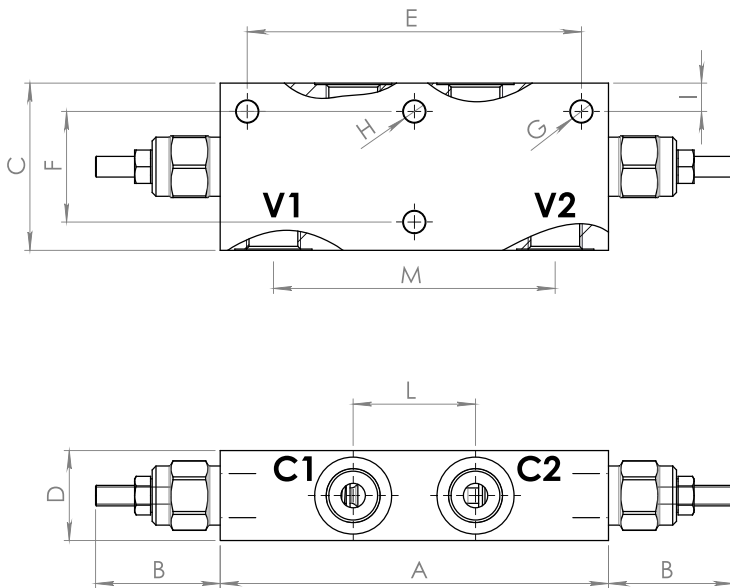
Features

Max Flow	40 lpm
Max Pressure	350 bar
Pilot Ratio	4,2:1
Std. Pressure range	100 - 350 bar
Ports	V1-V2-C1: G 3/8 MP1-MP2: G 1/4 M: G 1/4 C2: Ø 9

Ordering Code

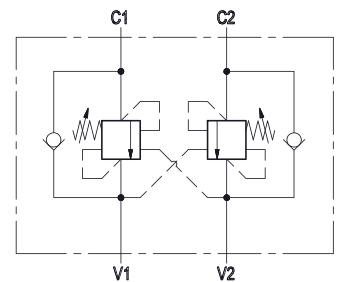
CBSL1FMP 02

Dimensions

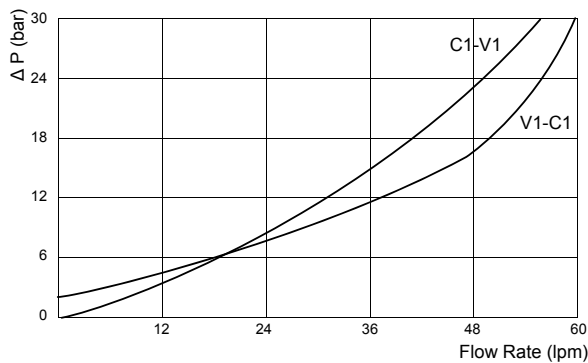


Size	A	B max	C	C1 - C2 V1 - V2 BSP	D	E	F	G	H	I	L	M	Weight kg
02	151	48,5	55	3/8	30	130	38	8,5	8,5	10	47,6	109,6	1,89
03	151	48,5	65	1/2	35	130	43	9	8,5	10	47,6	109,6	2,52

Hydraulic Symbol



Curves



Features

Rated Flow	60 lpm
Max Pressure	350 bar

Materials: Zinc plated steel manifold, hardened steel inner parts.

Notice: Relief setting at least 1,3 times the highest expected load-induced pressure.

Ordering Code

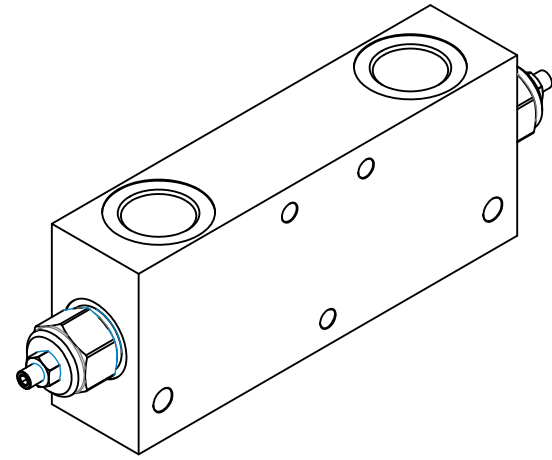
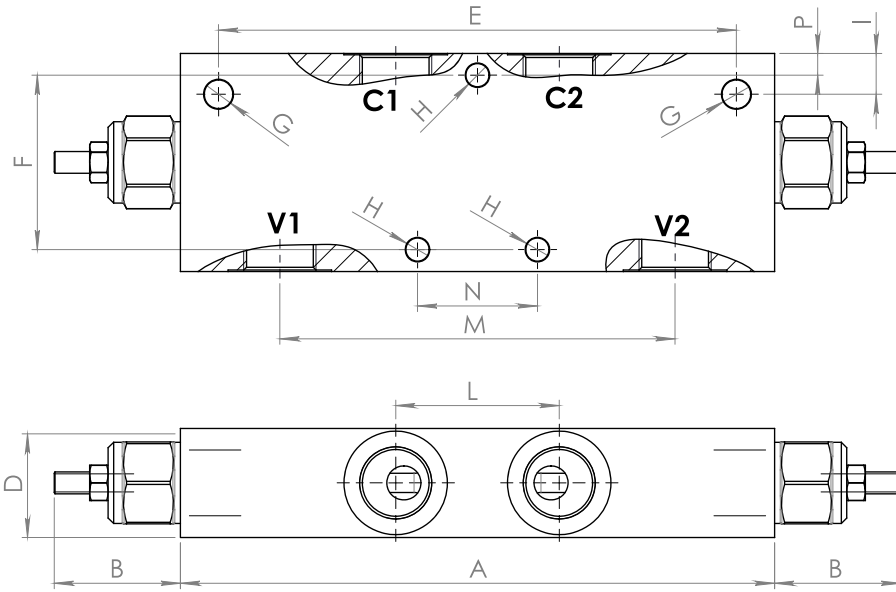
CBDL -- -- -

Port Size BSP	Spring	Spring	
		Pressure Range (bar)	Increase (bar/turn)
02	3/8		
03	1/2		
		20	60 - 210
		30	100 - 350

Pilot Ratio	
	4,2 : 1
8	8 : 1

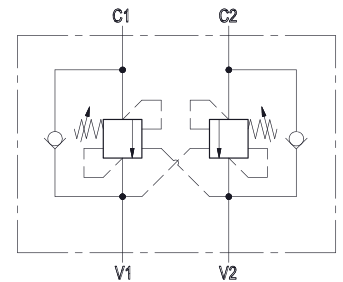
Ordering Code Example: **CBDL0330** = 1/2 BSP Ports - 100-350 bar setting range, 4,2:1 Pilot Ratio.

Dimensions

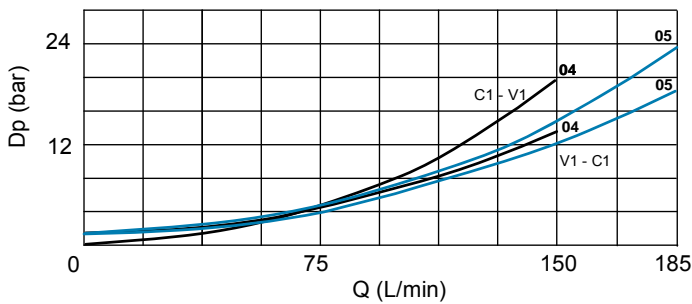


Size	A	B max	C	C1 - C2 V1 - V2 BSP	D	E	F	G	H	I	L	M	N	P	Weight kg
04	218	43,5	80	3/4	40	190	64	10,5	8,5	15	60	145	44	8	2,22
05	218	43,5	90	1	50	190	64	10,5	8,5	20	60	145	44	13	2,27

Hydraulic Symbol



Curves



Features

Rated Flow	(04) 150 lpm - (05) 180 lpm
Max Pressure	350 bar
Pilot Ratio	6:1

Materials: Zinc plated steel cartridge, hardened steel inner parts.
Aluminium manifold.

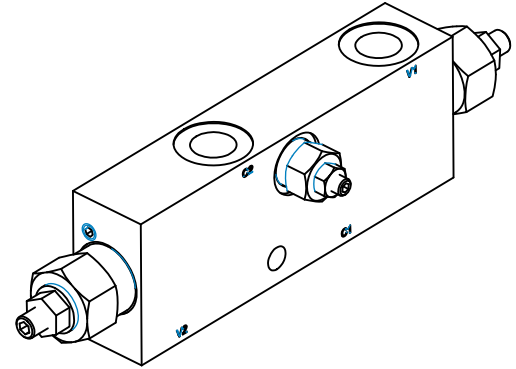
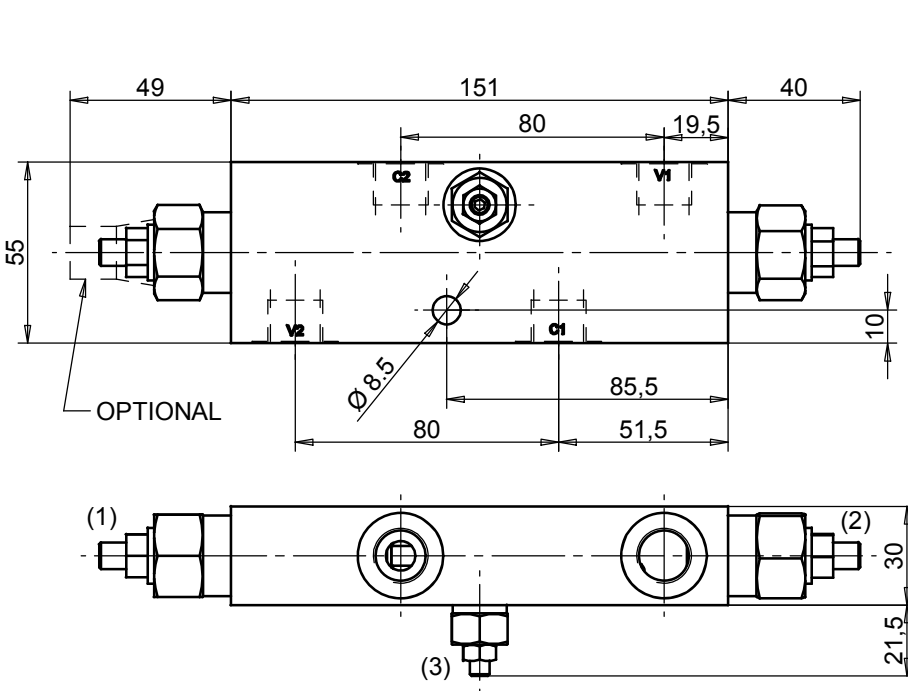
Ordering Code

CBDLA -- --

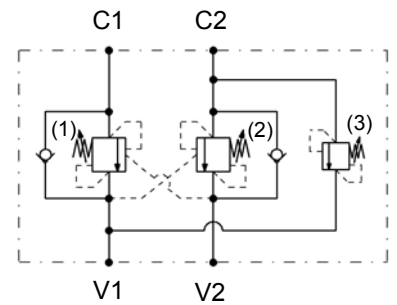
Port Size BSP		Spring			
04	3/4	Pressure Range (bar)	Increase (bar/turn)	Standard Setting (bar) Q=5 lpm	
05	1	20	50 - 210	35	150
		30	100 - 350	60	200

Ordering Code Example: CBDLA0430 - 3/4" BSP Ports - 100-350 bar setting range.

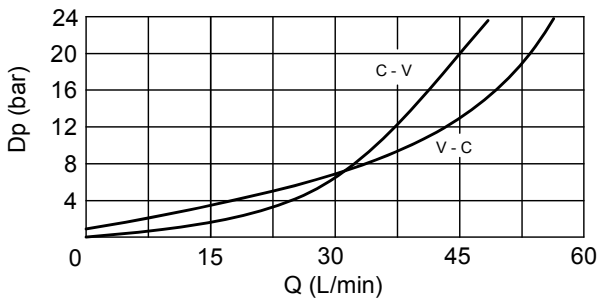
Dimensions



Hydraulic Symbol



Curves



Features

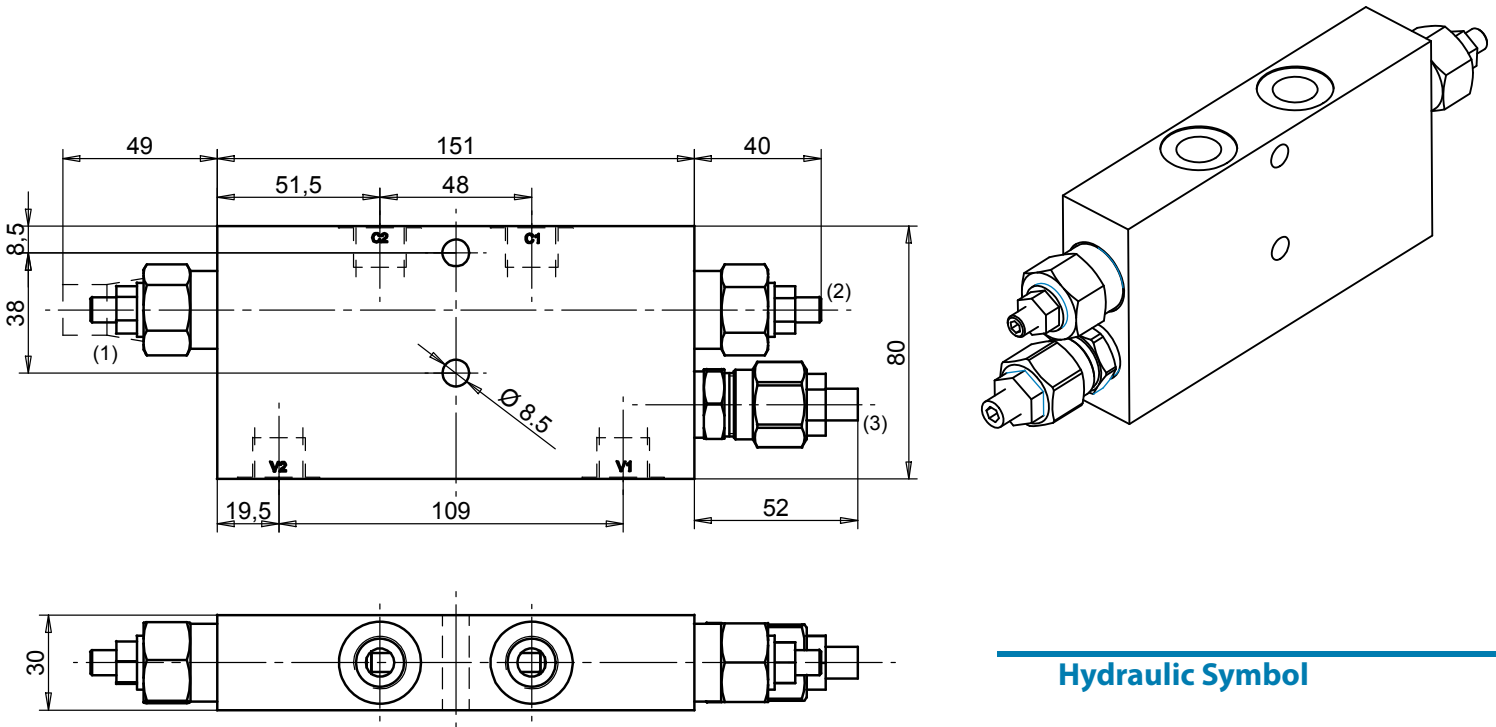
Max Flow	40 lpm
Max Pressure	350 bar
Pilot Ratio	4,2:1 Standard
Std. Pressure range	(1) - (2): 100 - 350 bar (3): 200 - 400 bar

Materials: Zinc plated steel manifold, hardened steel inner parts.

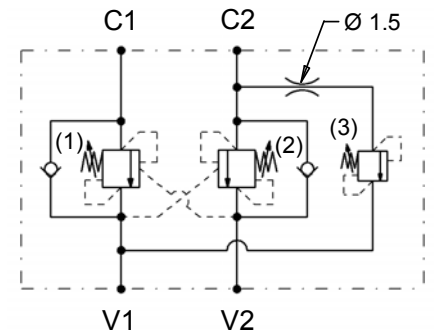
Ordering Code

CBDLCVR 02

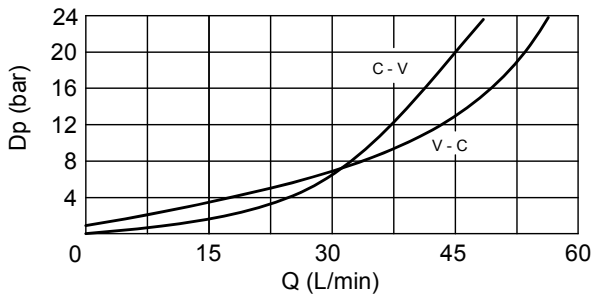
Dimensions



Hydraulic Symbol



Curves



Features

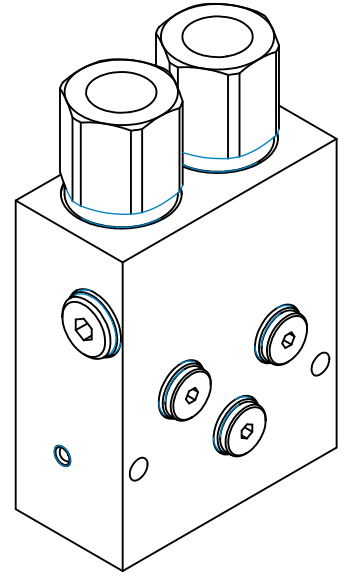
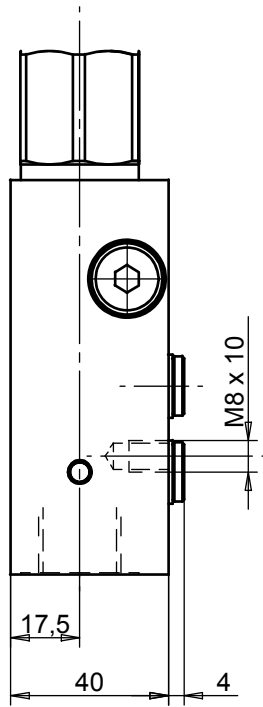
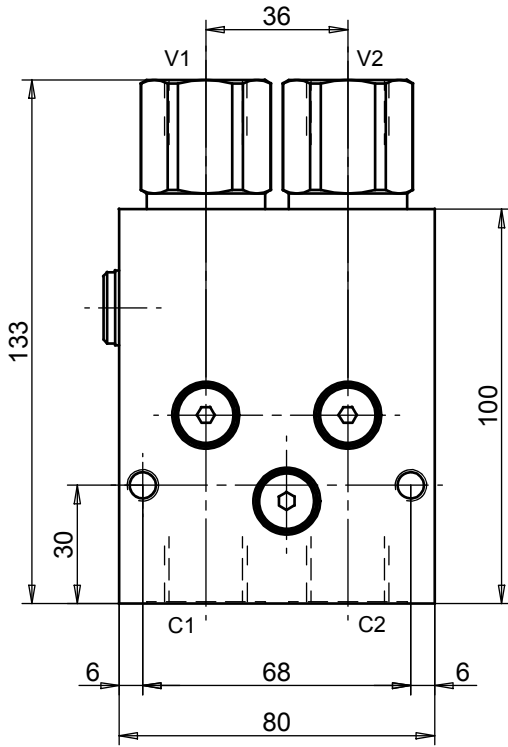
Max Flow	40 lpm
Max Pressure	350 bar
Pilot Ratio	4,2:1 Standard
Std. Pressure range	(1) - (2): 100 - 350 bar (3): 100 - 350 bar

Materials: Zinc plated steel cartridge, hardened steel inner parts.
Aluminium manifold.

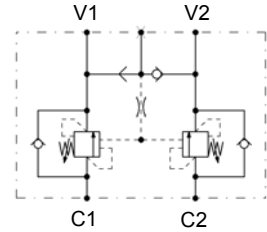
Ordering Code

CBDL35R 02

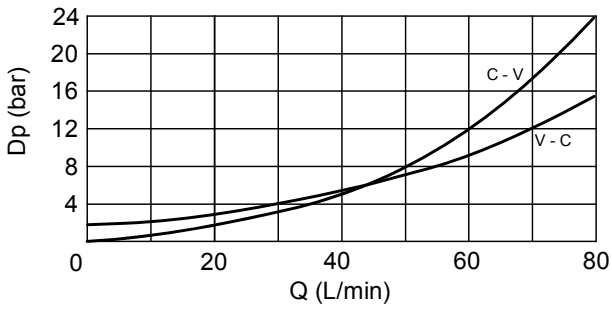
Dimensions



Hydraulic Symbol



Curves



Features

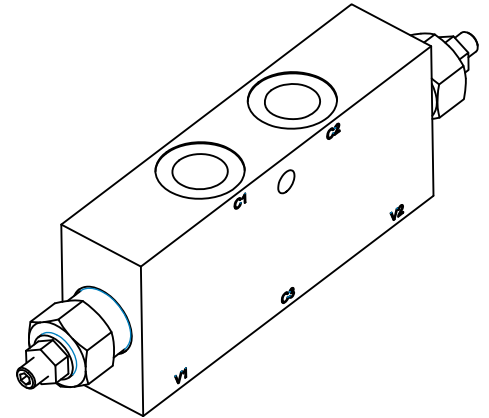
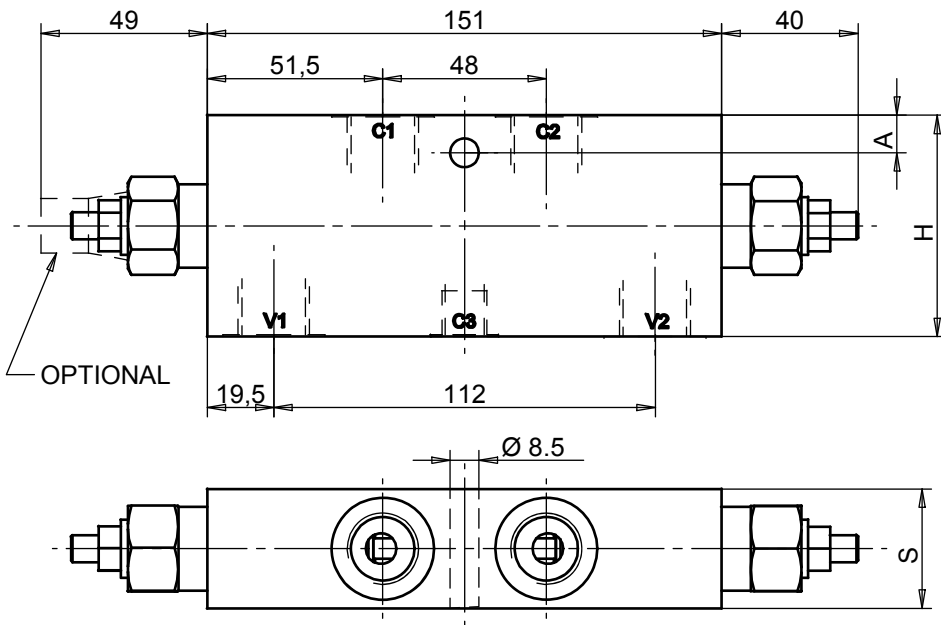
Max Flow	80 lpm
Max Pressure	350 bar
Pilot Ratio	4,2:1 Standard
Std. Pressure range	100 - 350 bar

Materials: Zinc plated steel manifold, hardened steel inner parts.

Ordering Code

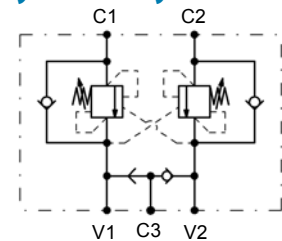
CBDLIL 03

Dimensions

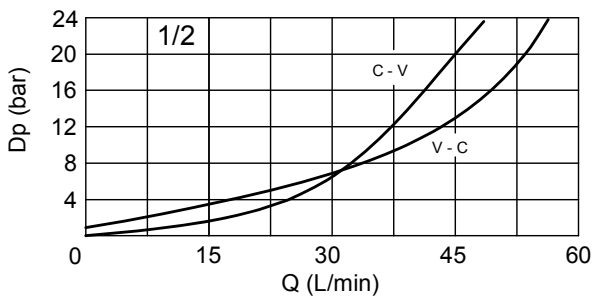


Size	V1 - V2 C1 - C2	C3	A	H	S
02	G 3/8	G 1/4	8,5	55	30
03	G 1/2	G 1/4	11	65	35

Hydraulic Symbol



Curves



Features

Max Flow	60 lpm
Max Pressure	350 bar
Pilot Ratio	4,2:1 Standard
Std. Pressure range	100 - 350 bar

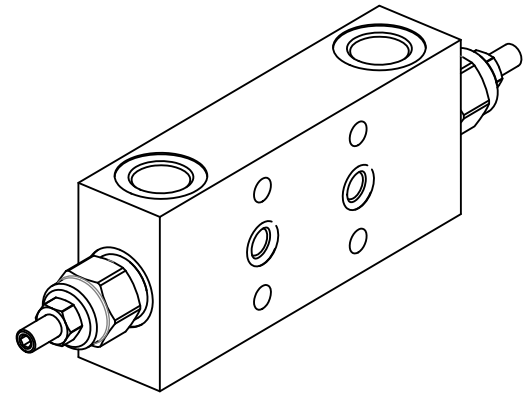
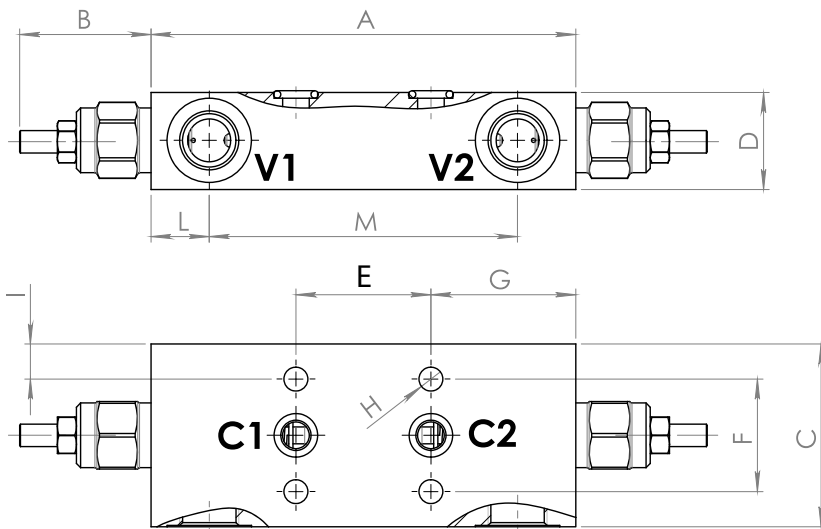
Materials: Zinc plated steel manifold, hardened steel inner parts.

Ordering Code

CBDLSF	
--	
Port Size BSP	
02	3/8
03	1/2

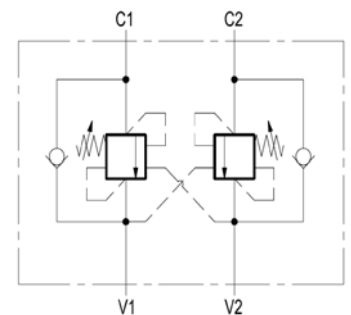
Ordering Code Example: CBDLSF02 - 3/8" BSP Ports - 100-350 bar setting range - 4,2 : 1 Pilot Ratio.

Dimensions

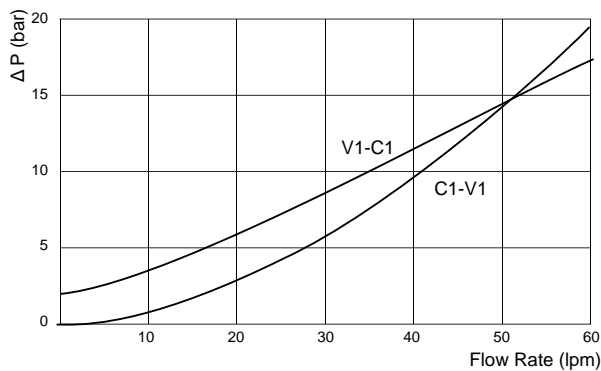


Size	A	B max	C	V1-V2 bsp	D	E	F	G	H	I	L	M	Weight kg
02	151	47	55	3/8	29,5	48	40	51,5	8,5	7,5	20,7	109,6	1,90
03	151	47	65	1/2	34,5	48	40	51,5	8,5	12,5	20,7	109,6	2,57

Hydraulic Symbol



Curves



Features

Rated Flow	60 lpm
Max Pressure	350 bar

Materials: Zinc plated steel manifold, hardened steel inner parts.

Notice: Relief setting at least 1,3 times the highest expected load-induced pressure.

Ordering Code

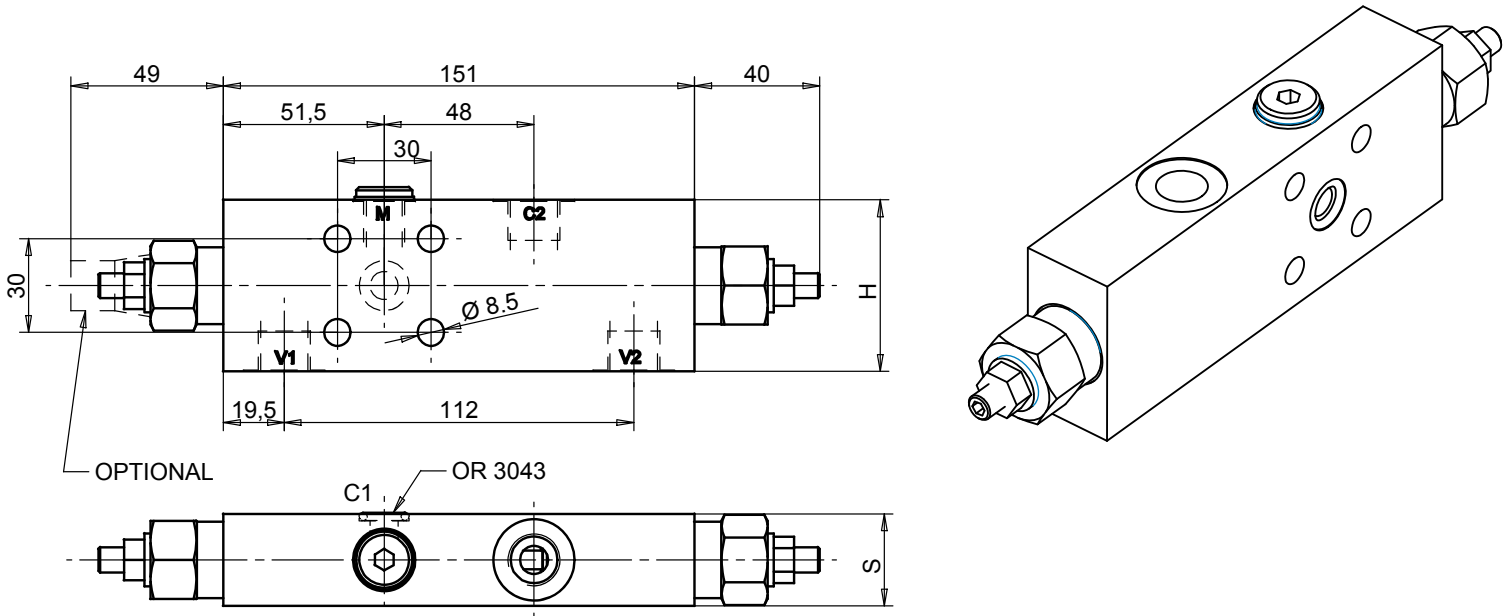
CBDLF -- -- -

Port Size BSP	Spring		
	Pressure Range (bar)	Increase (bar/turn)	Standard Setting (bar) Q=5 lpm
02	3/8		
03	1/2		
	20	60 - 210	61
	30	100 - 350	100

Pilot Ratio	
	4,2 : 1
8	8 : 1

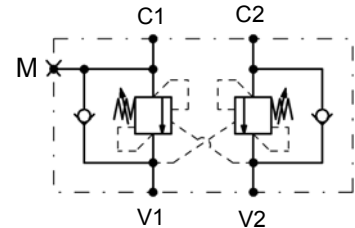
Ordering Code Example: CBDLF0330 = 1/2 BSP Ports - 100-350 bar setting range, 4,2:1 Pilot Ratio.

Dimensions

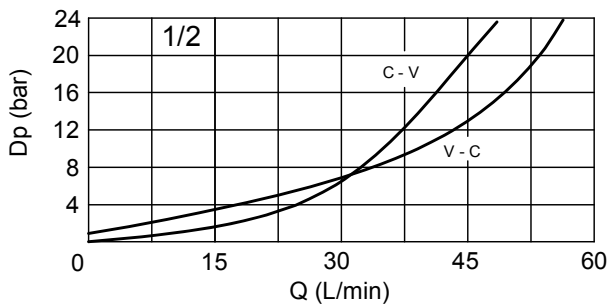


Size	V1-V2 C2	C1	M	H	S
02	G 3/8	Ø 9	G 1/4	55	29,5
03	G 1/2	Ø 9	G 1/4	65	34,5

Hydraulic Symbol



Curves



Features

Max Flow	60 lpm
Max Pressure	350 bar
Pilot Ratio	4,2:1 Standard
Std. Pressure range	100 - 350 bar

Materials: Zinc plated steel manifold, hardened steel inner parts.

Ordering Code

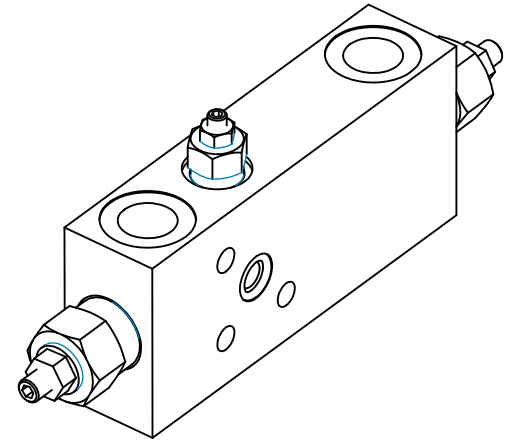
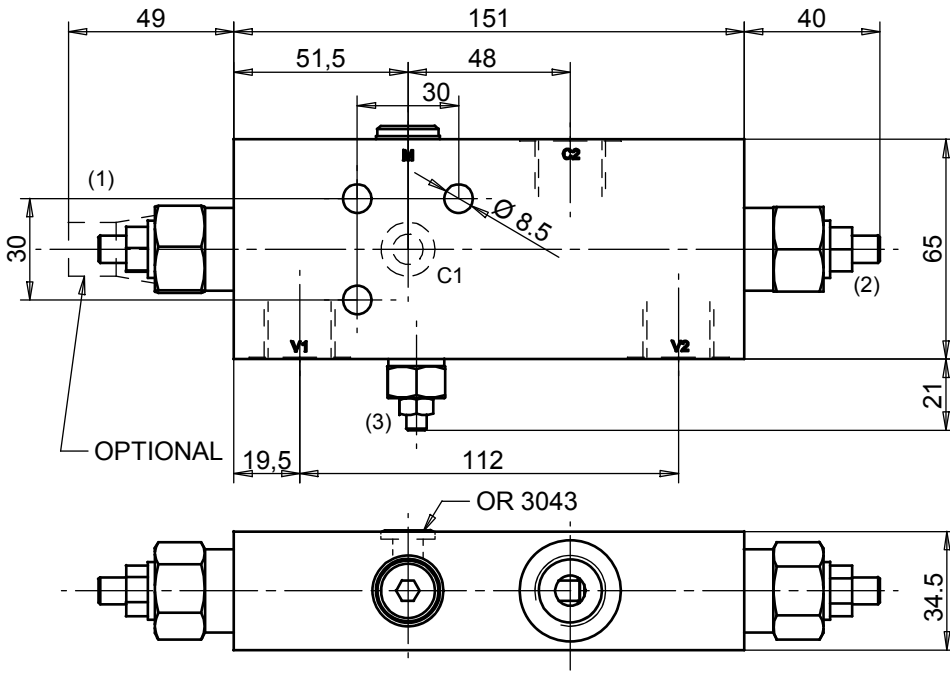
CBDLF1F - -

Port Size BSP

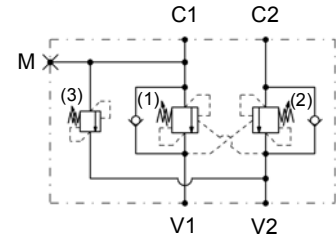
02	3/8
03	1/2

Ordering Code Example: CBDLF1F03 - 1/2" BSP Ports - 100-350 bar setting range.

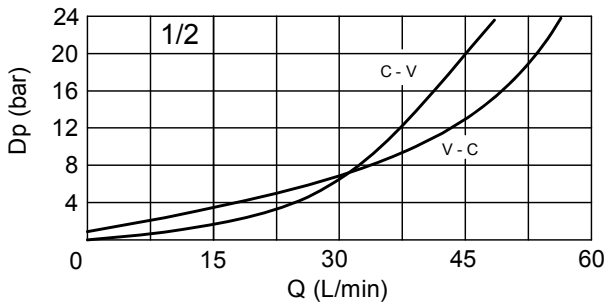
Dimensions



Hydraulic Symbol



Curves



Features

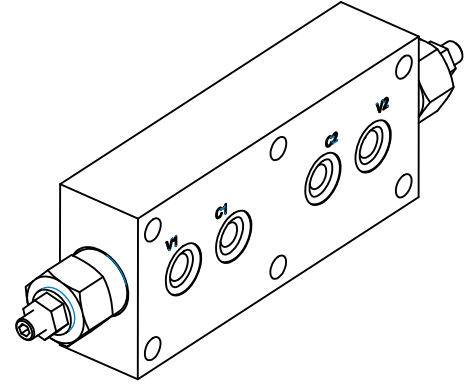
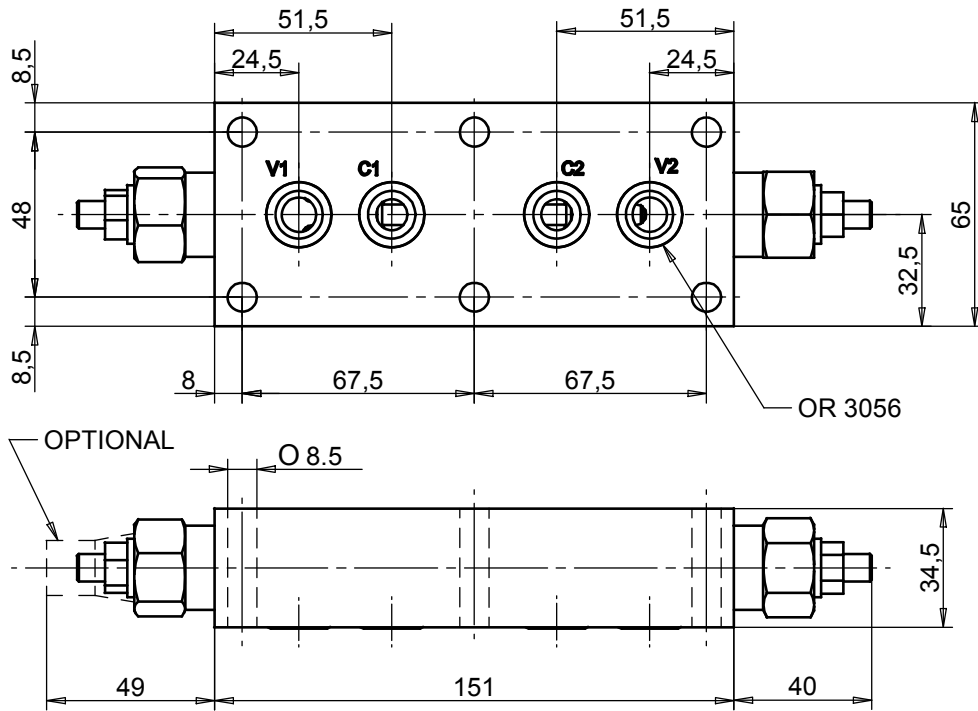
Max Flow	60 lpm
Max Pressure	350 bar
Pilot Ratio	4,2:1 Standard
Std. Pressure range	(1): 100 - 350 bar (2): 200 - 400 bar
Ports	1/2 bsp

Materials: Zinc plated steel manifold, hardened steel inner parts.

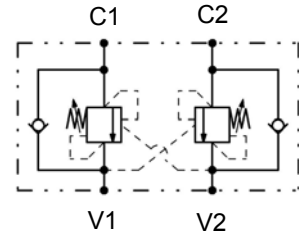
Ordering Code

CBDLF1FR 03

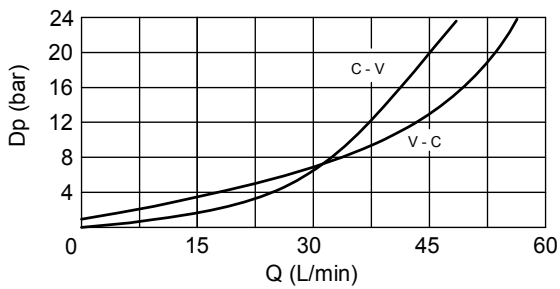
Dimensions



Hydraulic Symbol



Curves



Features

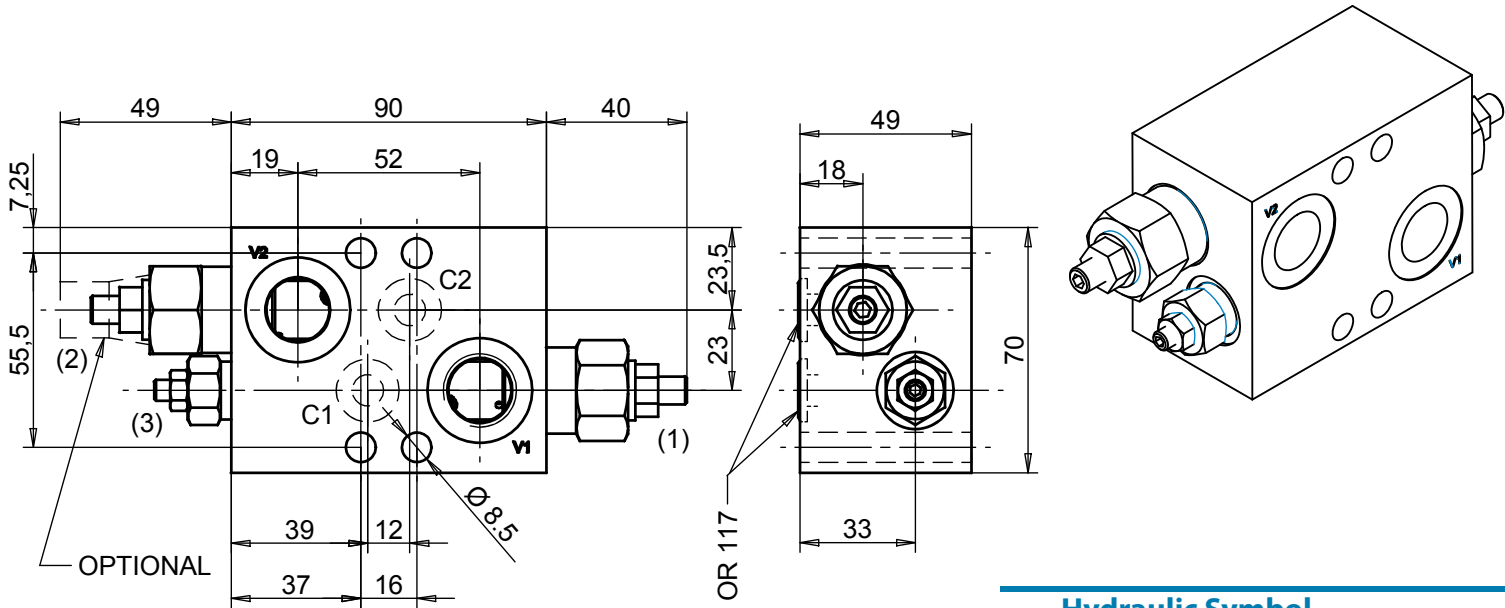
Max Flow	60 lpm
Max Pressure	350 bar
Pilot Ratio	4,2:1
Std. Pressure range	100 - 350 bar
Ports	V1-V2: $\varnothing 10$ C1-C2: $\varnothing 9$

Materials: Zinc plated steel body

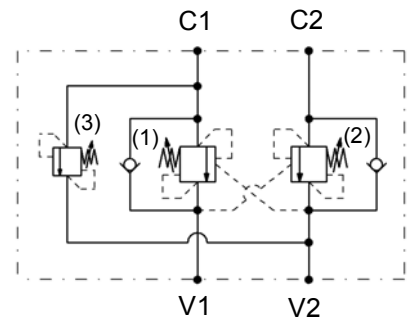
Ordering Code

CBDLFAFT 60

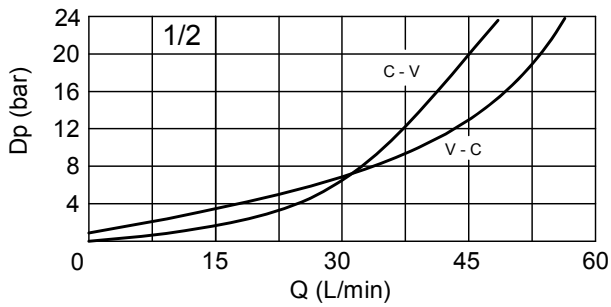
Dimensions



Hydraulic Symbol



Curves



Features

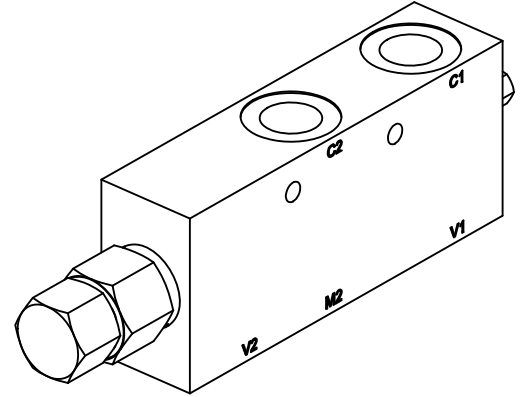
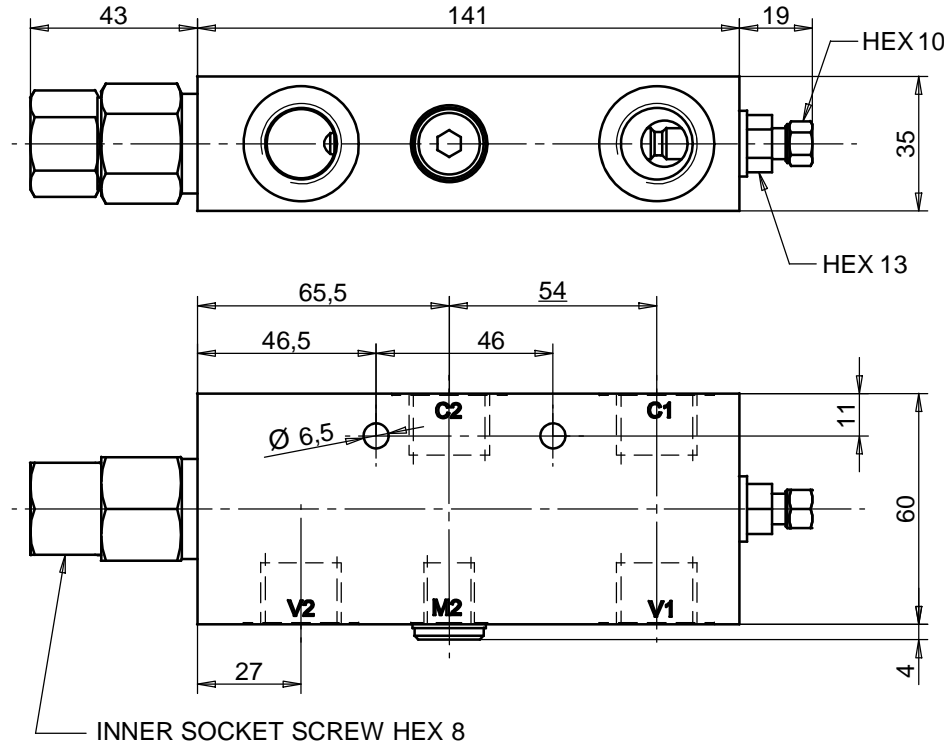
Max Flow	60 lpm
Max Pressure	350 bar
Pilot Ratio	4,2:1 Standard
Std. Pressure range	(1)-(2): 100 - 350 bar (3): 200 - 400 bar
Ports	1/2 bsp

Materials: Zinc plated steel cartridge, hardened steel inner parts. Aluminium manifold.

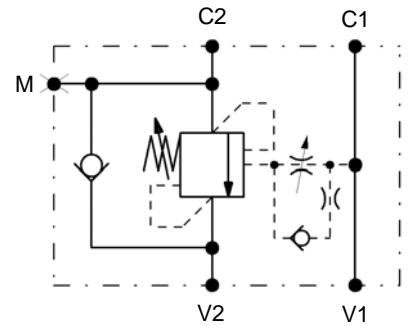
Ordering Code

CBDLFR 03

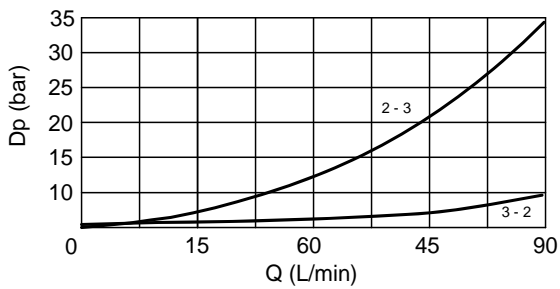
Dimensions



Hydraulic Symbol



Curves



Materials: Zinc plated steel body

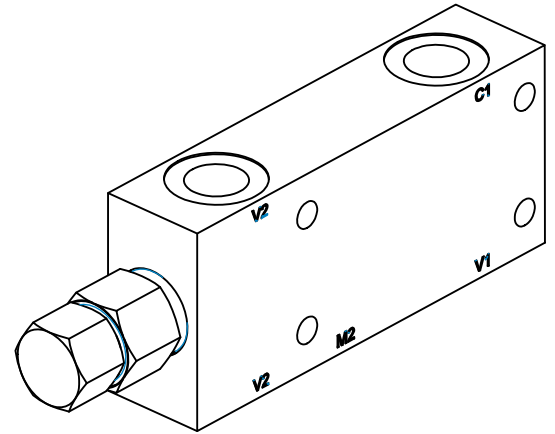
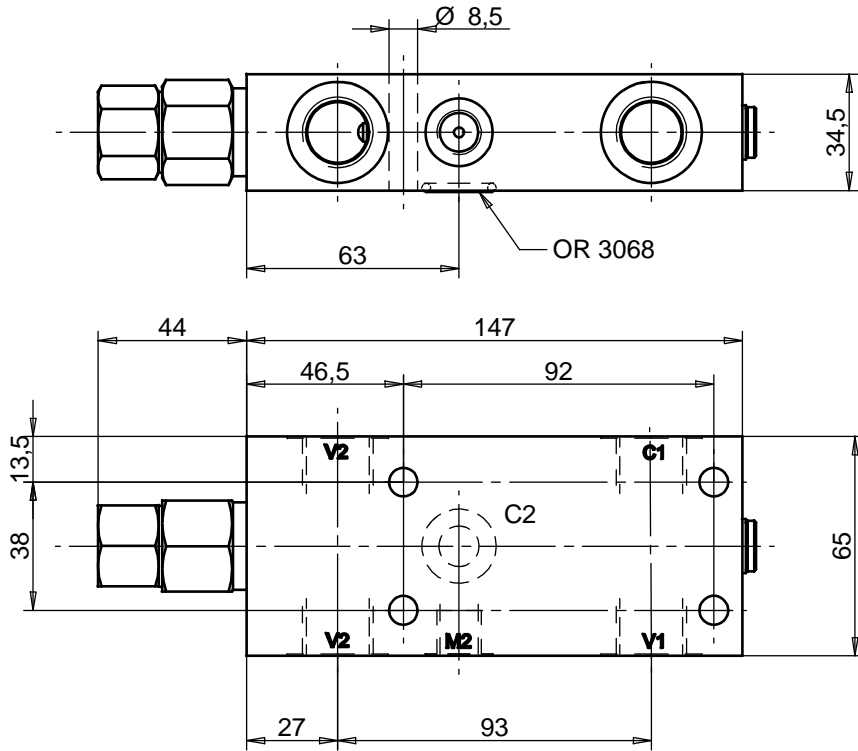
Features

Max Flow	90 lpm
Max Pressure	350 bar
Pilot Ratio	4,2:1
Std. Pressure range	100 - 350 bar
Ports	V1-V2: G 1/2 C1-C2: G 1/2 M: G 1/4

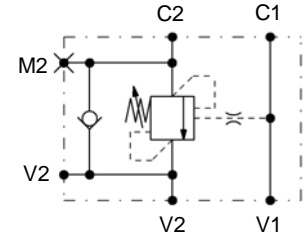
Ordering Code

CB90SL 03

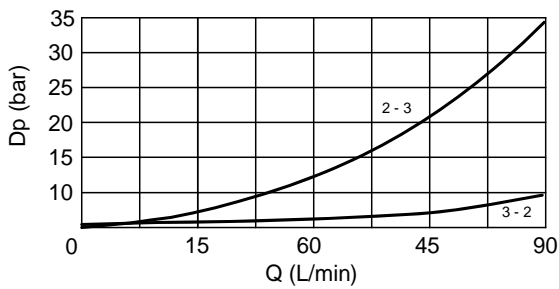
Dimensions



Hydraulic Symbol



Curves



Features

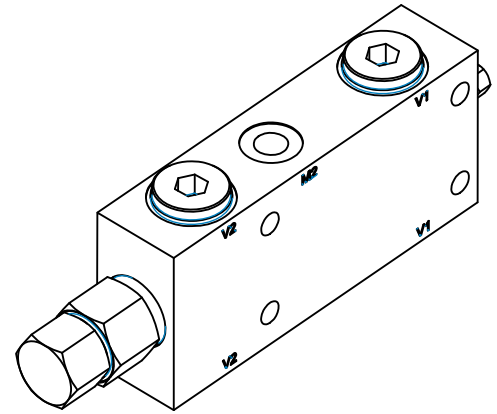
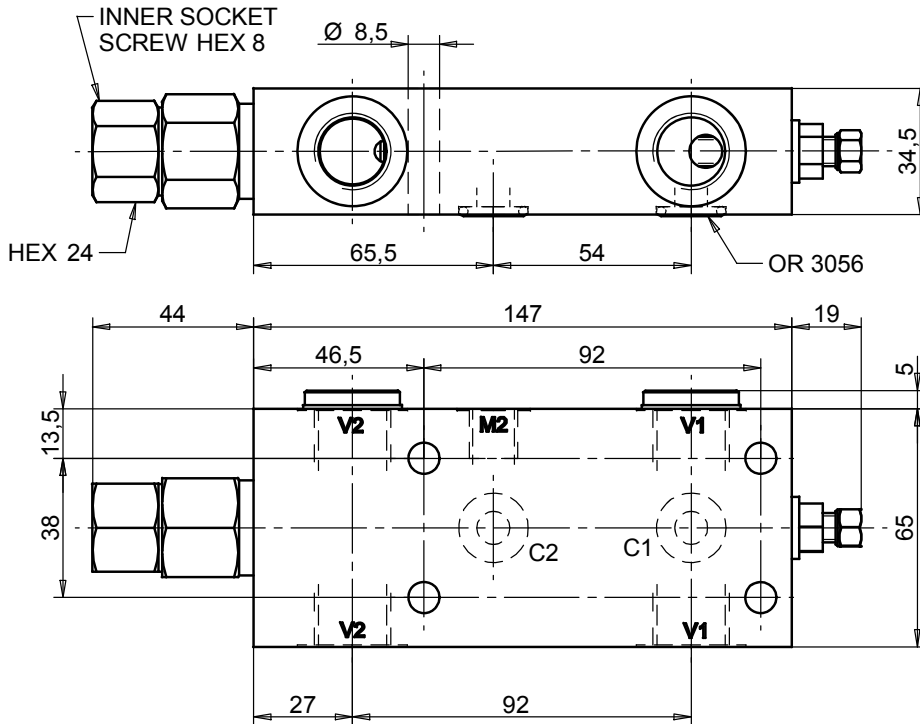
Max Flow	90 lpm
Max Pressure	350 bar
Pilot Ratio	4,2:1
Std. Pressure range	100 - 350 bar
Ports	1/2 bsp

Materials: Zinc plated steel manifold, hardened steel inner parts.

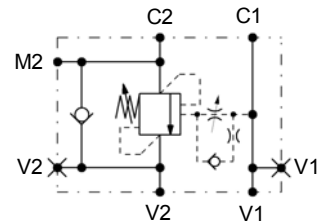
Ordering Code

CB90SLF 03

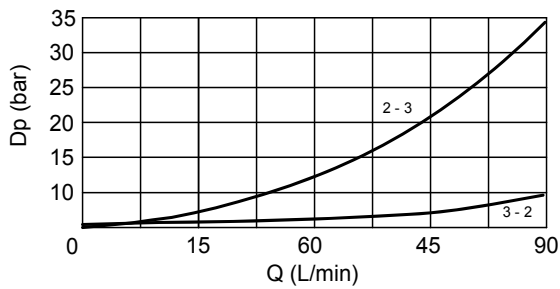
Dimensions



Hydraulic Symbol



Curves



Features

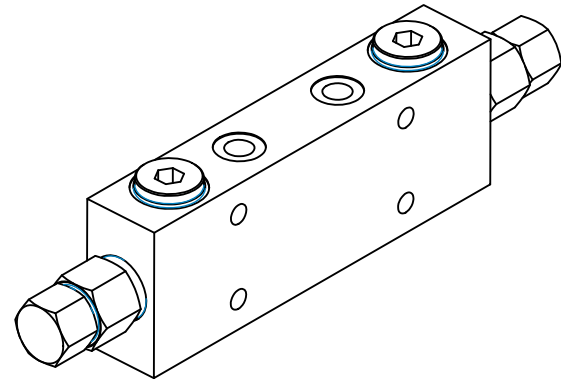
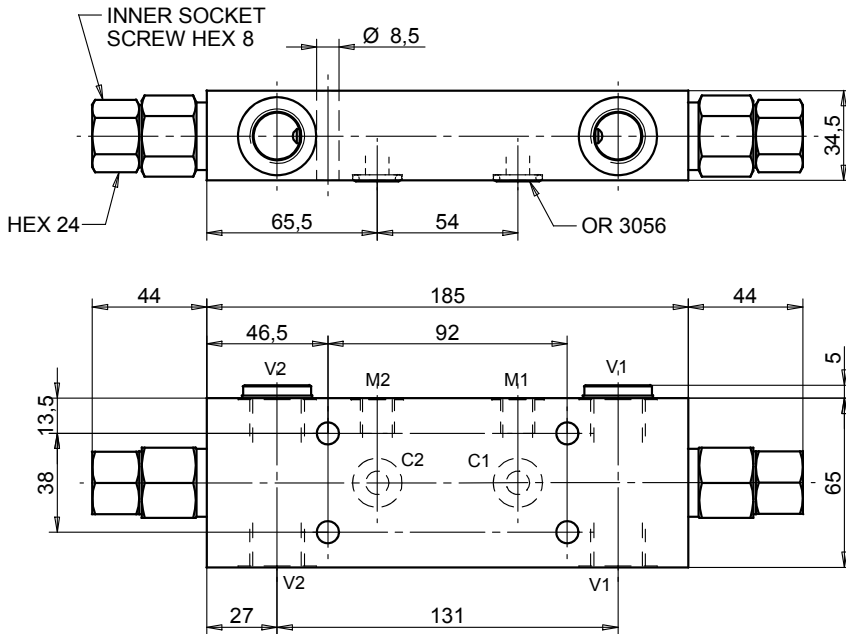
Max Flow	90 lpm
Max Pressure	350 bar
Pilot Ratio	4,2:1 Standard
Std. Pressure range	100 - a350 bar
Ports	1/2 bsp

Materials: Zinc plated steel manifold, hardened steel inner parts.

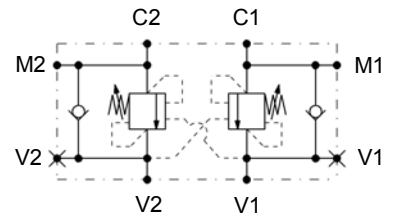
Ordering Code

CB90SLFB 03

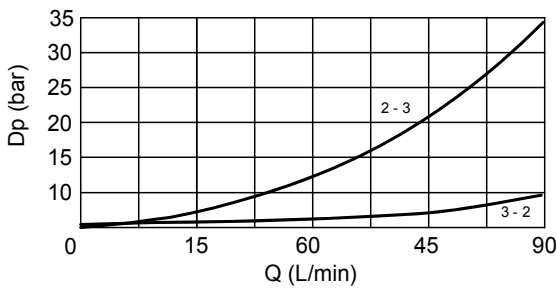
Dimensions



Hydraulic Symbol



Curves



Features

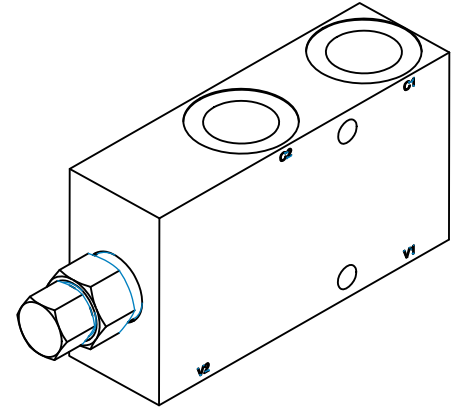
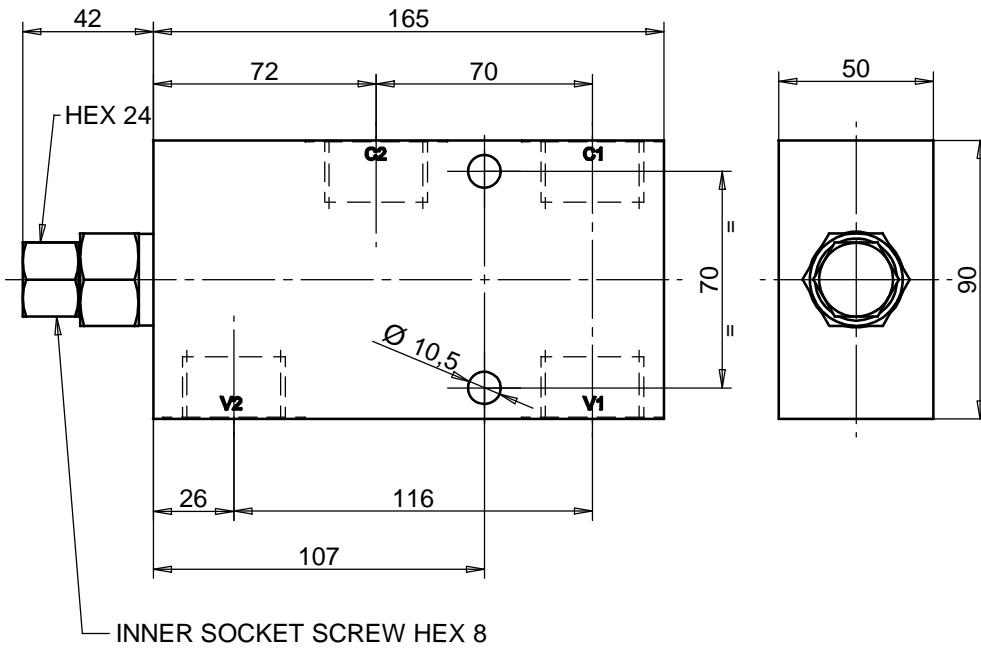
Max Flow	90 lpm
Max Pressure	350 bar
Pilot Ratio	4,2:1 Standard
Std. Pressure range	100 - 350 bar
Ports	1/2 bsp

Materials: Zinc plated steel manifold, hardened steel inner parts.

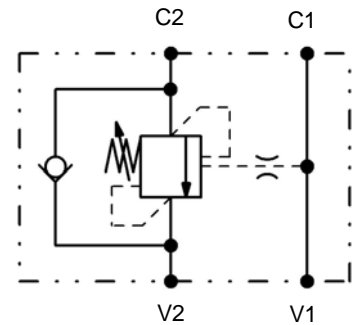
Ordering Code

CB90DLF 03

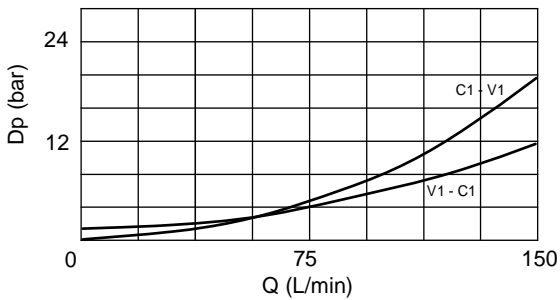
Dimensions



Hydraulic Symbol



Curves



Features

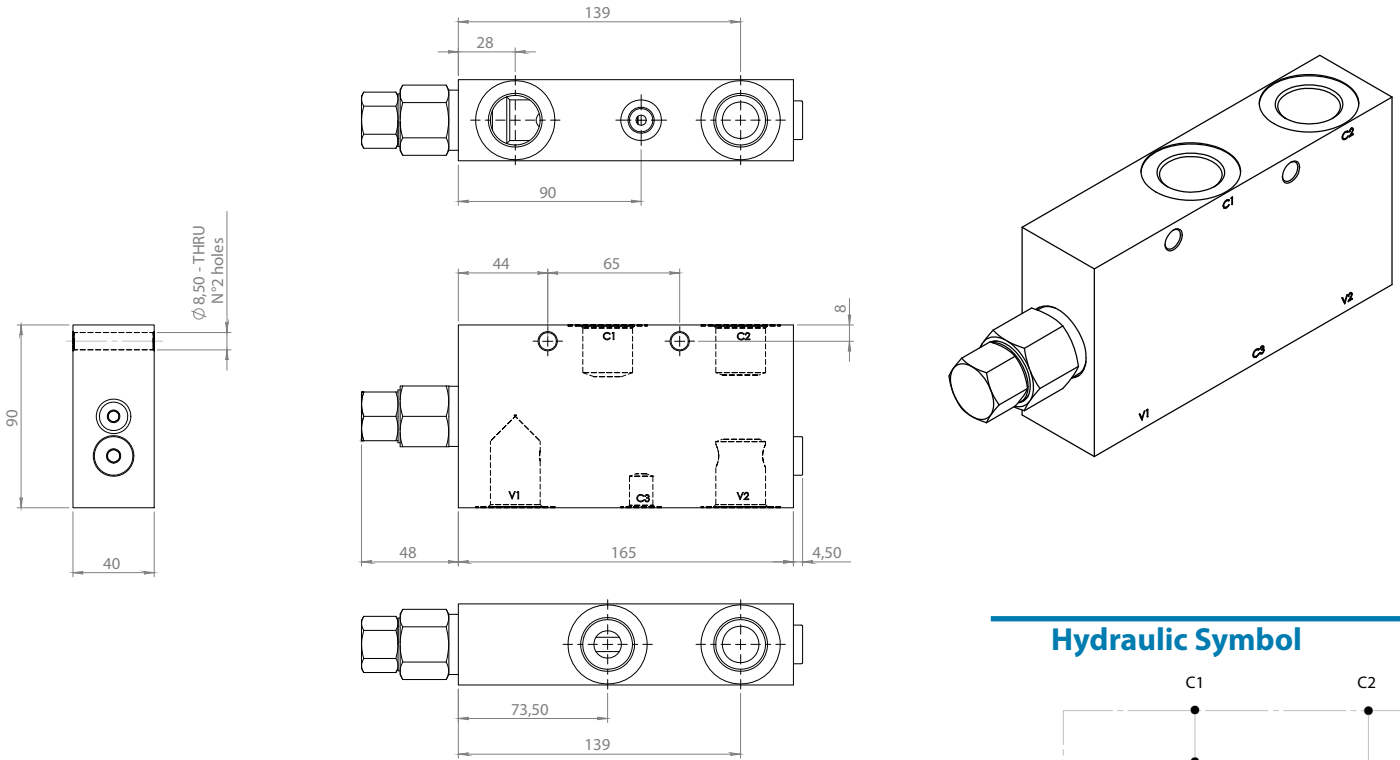
Max Flow	165 lpm
Max Pressure	350 bar
Pilot Ratio	4:1
Std. Pressure range	100 - 350 bar
Ports	V1-V2: G 1" C1-C2: G 1"

Materials: Zinc plated steel cartridge, hardened steel inner parts. Aluminium manifold.

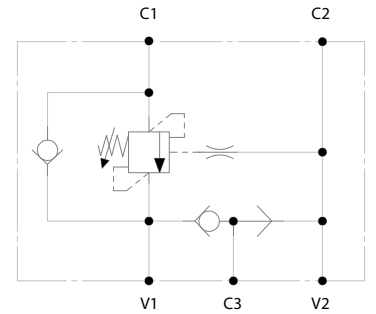
Ordering Code

CB150SL

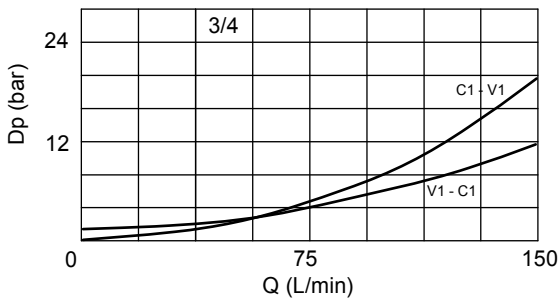
Dimensions



Hydraulic Symbol



Curves



Features

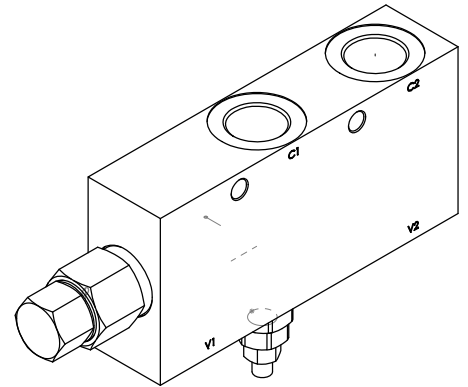
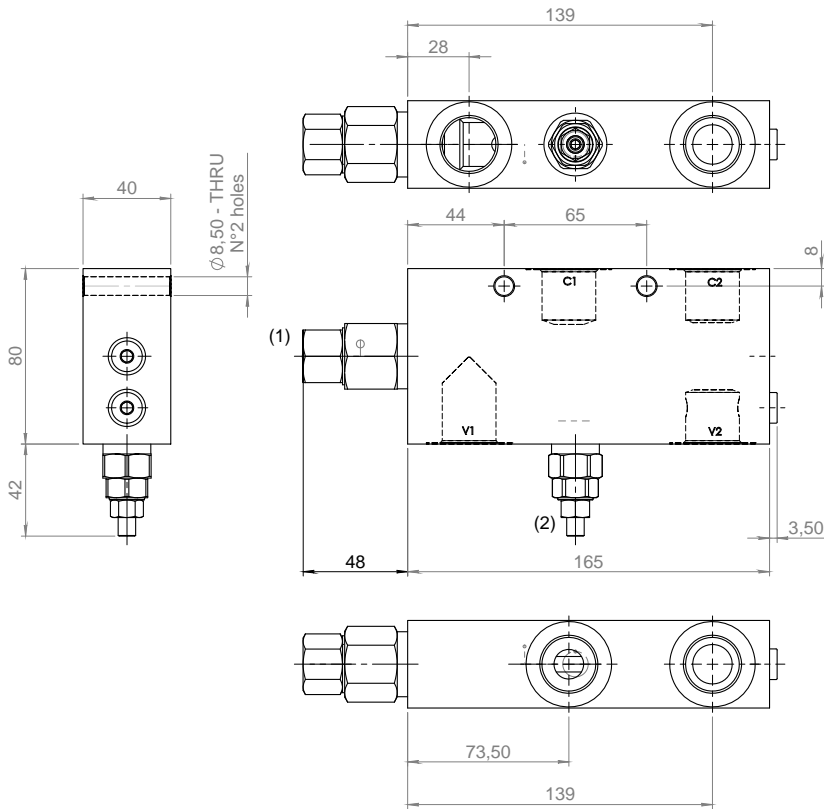
Max Flow	150 lpm
Max Pressure	350 bar
Overcentre setting range	100 ÷ 350 bar
Pilot Ratio	4:1
Port Sizes	V1-V2-C1-C2 = G 3/4 BSP C3 = G 1/4 BSP

Materials: Aluminium manifold.

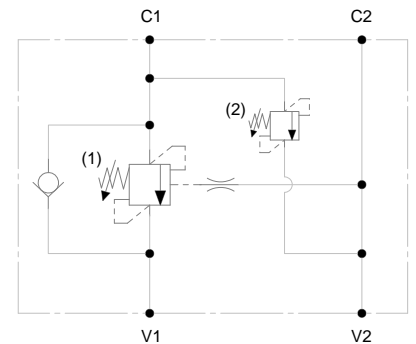
Ordering Code

CB150SLSF04

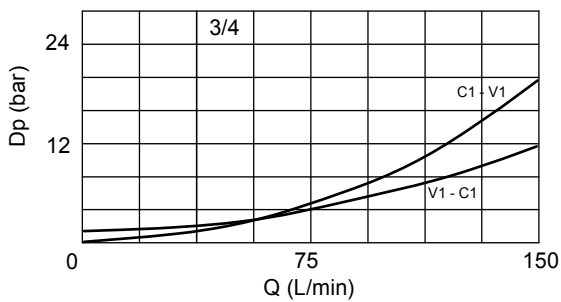
Dimensions



Hydraulic Symbol



Curves



Features

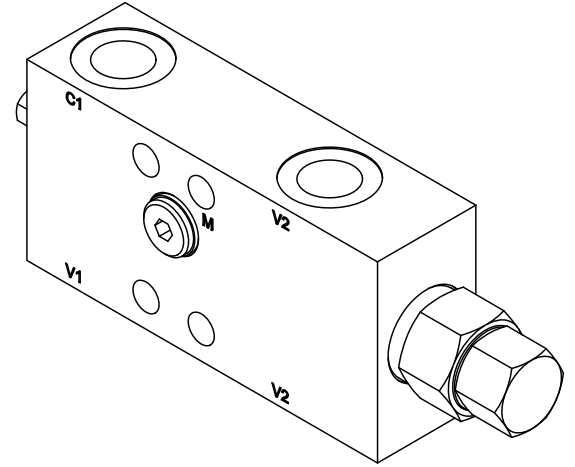
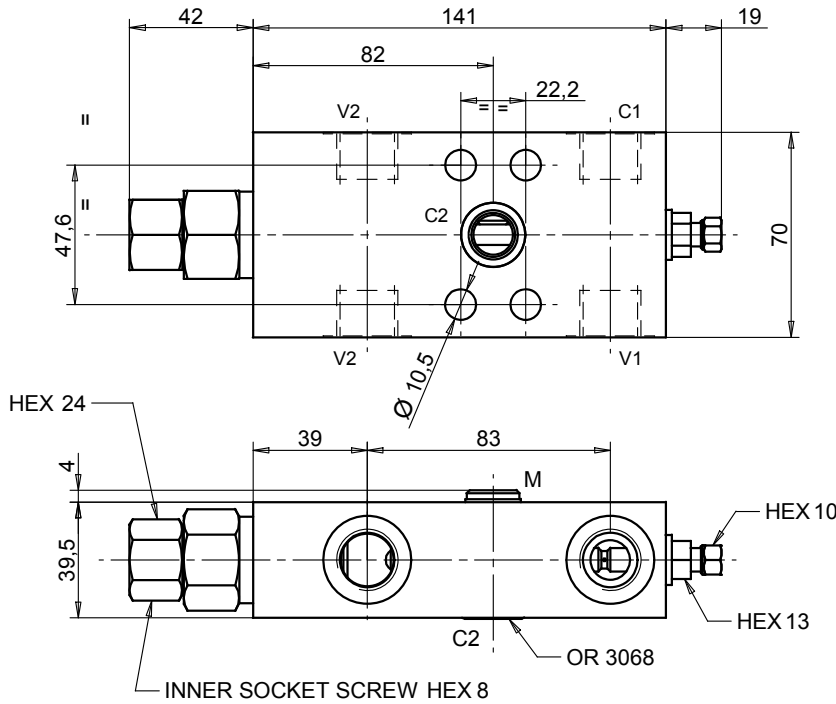
Max Flow	150 lpm
Max Pressure	350 bar
Overcentre setting range	100 ÷ 350 bar
Pilot Ratio	4:1
Port Sizes	V1-V2-C1-C2 = G 3/4 BSP

Materials: Aluminium manifold.

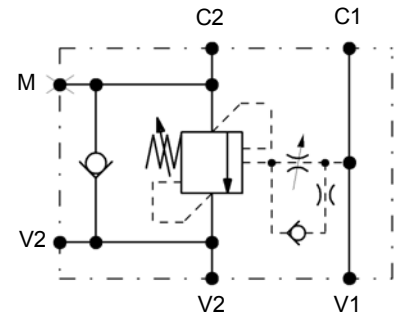
Ordering Code

CB150SLR04

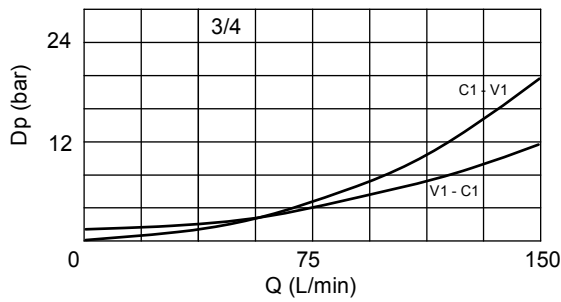
Dimensions



Hydraulic Symbol



Curves



Materials: Zinc plated steel body

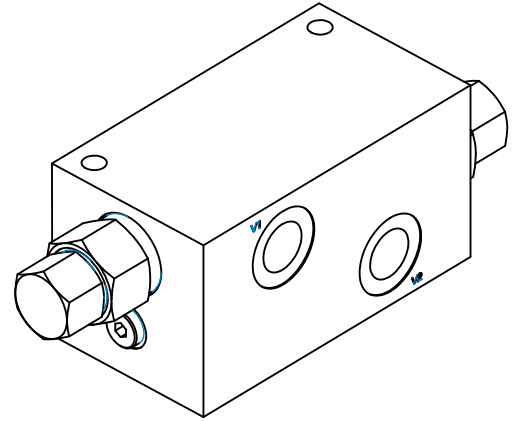
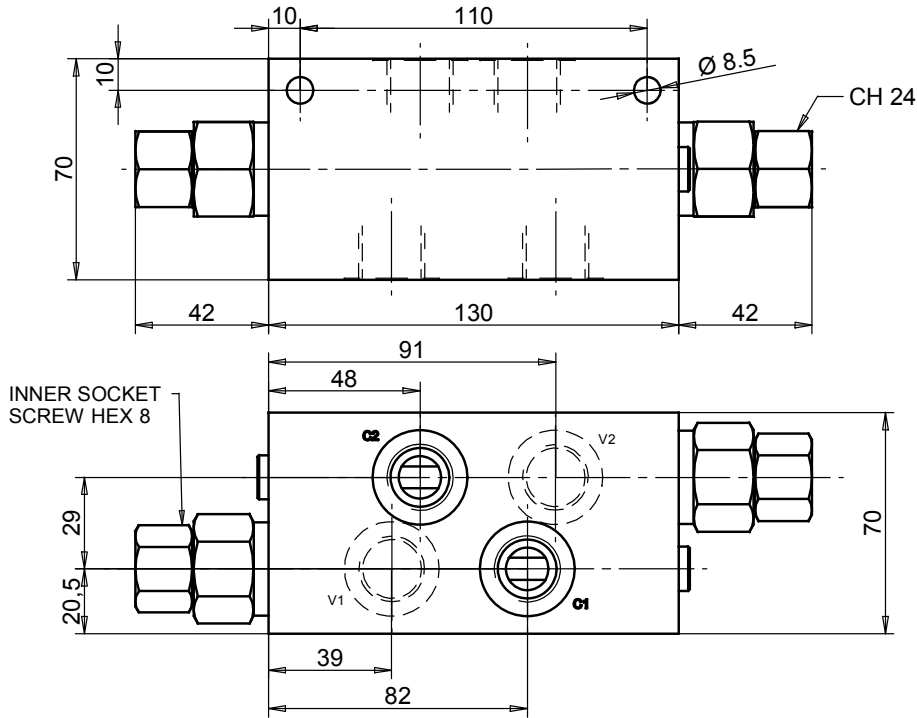
Features

Max Flow	150 lpm
Max Pressure	350 bar
Pilot Ratio	4:1
Std. Pressure range	100 - 350 bar
Ports	V1-V2-C1: G 1/2 C2: 3/4" SAE 3000 M: G 1/4

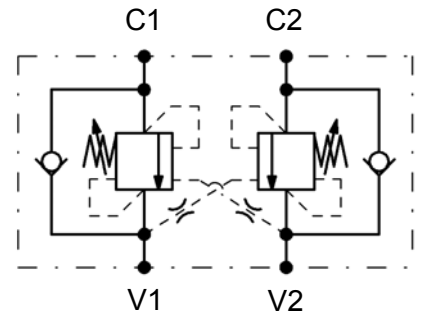
Ordering Code

CB150SLS 03

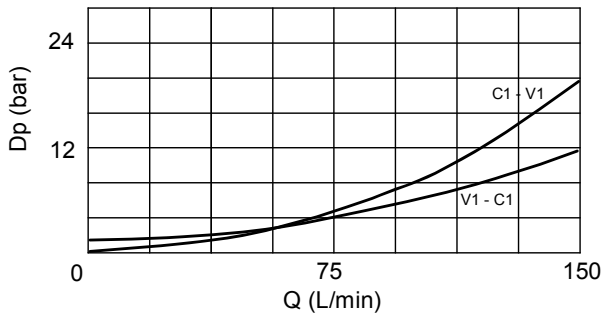
Dimensions



Hydraulic Symbol



Curves



Features

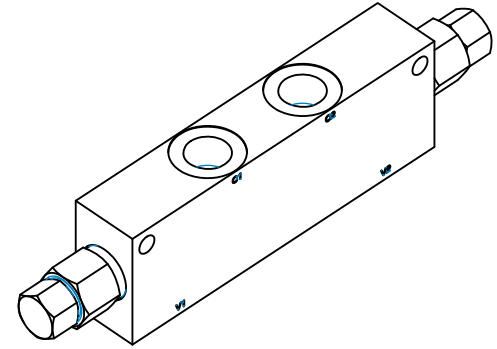
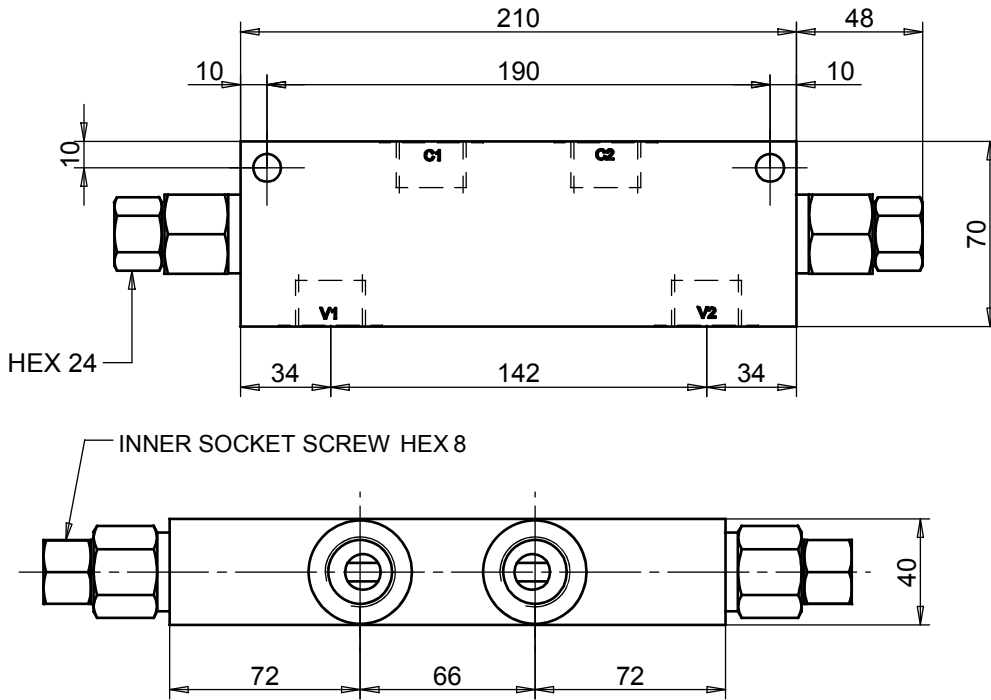
Max Flow	150 lpm
Max Pressure	350 bar
Pilot Ratio	4:1 Standard
Ports	1/2 bsp

Materials: Zinc plated steel cartridge, hardened steel inner parts.
Aluminium manifold.

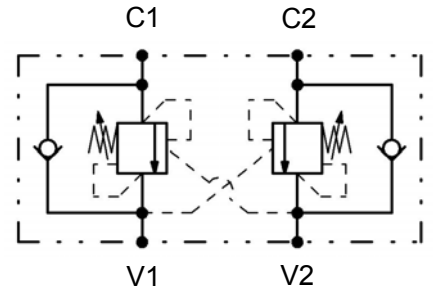
Ordering Code

CB150DL 03

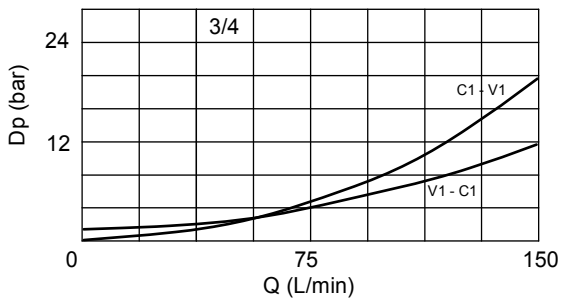
Dimensions



Hydraulic Symbol



Curves



Features

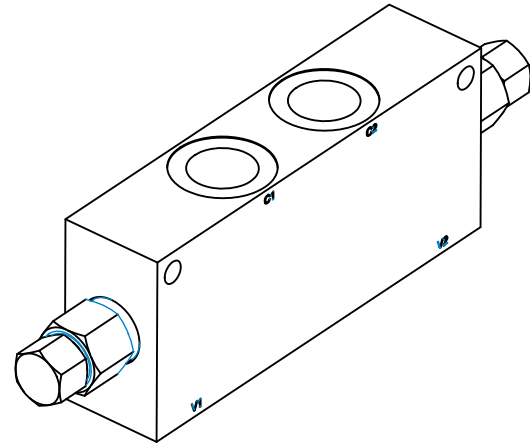
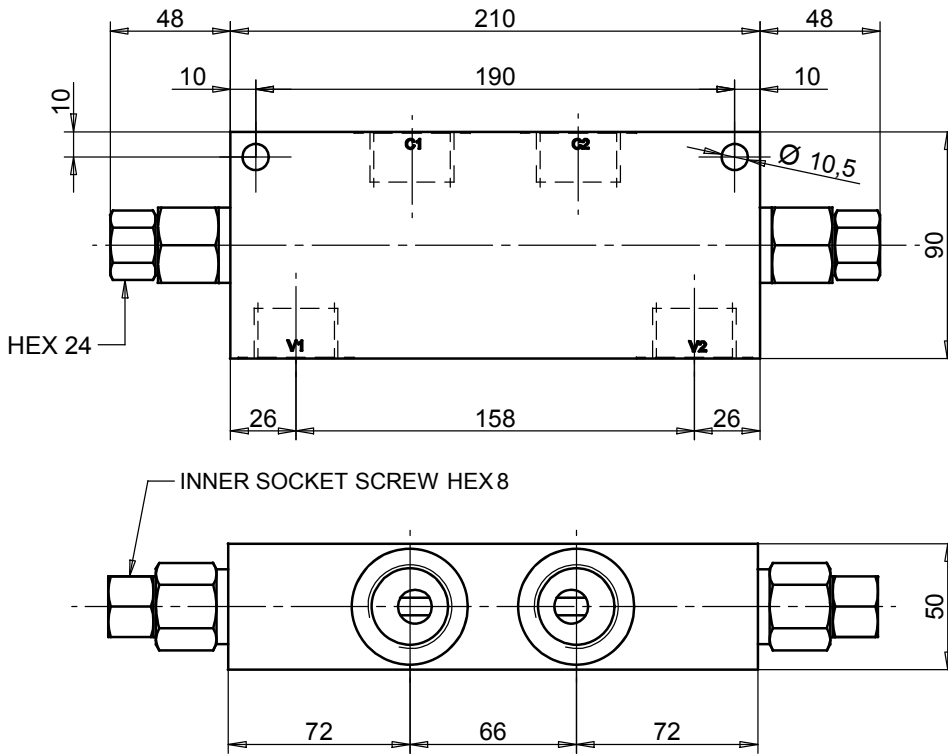
Max Flow	150 lpm
Max Pressure	350 bar
Pilot Ratio	4:1 - Standard
Std. Pressure range	100 - 350 bar
Ports	V1-V2: G 3/4 C1-C2: G 3/4

Materials: Zinc plated steel cartridge, hardened steel inner parts. Aluminium manifold.

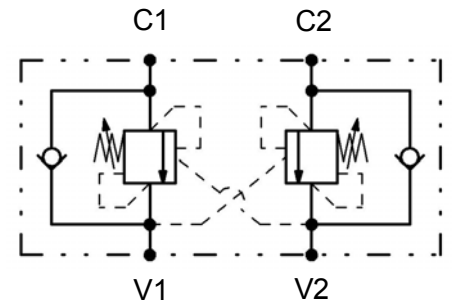
Ordering Code

CB150DL 04

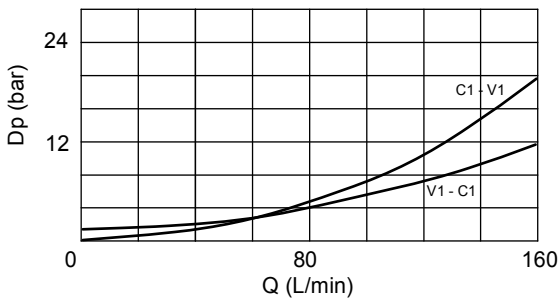
Dimensions



Hydraulic Symbol



Curves



Features

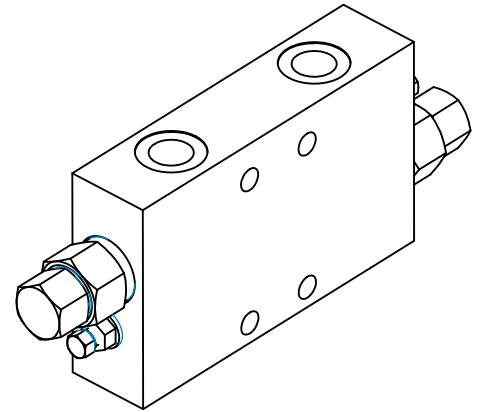
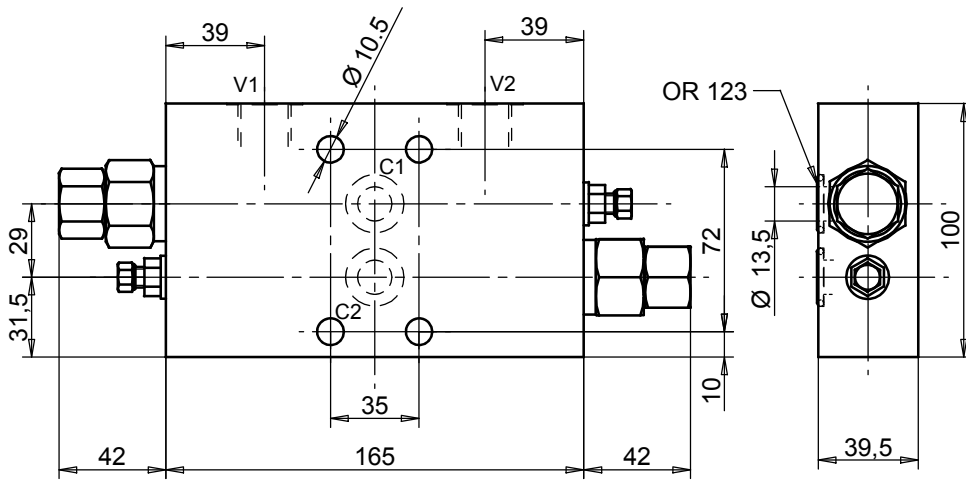
Max Flow	165 lpm
Max Pressure	350 bar
Pilot Ratio	4:1
Std. Pressure range	100 - 350 bar
Ports	V1-V2: G 1" C1-C2: G1"

Materials: Zinc plated steel cartridge, hardened steel inner parts. Aluminium manifold.

Ordering Code

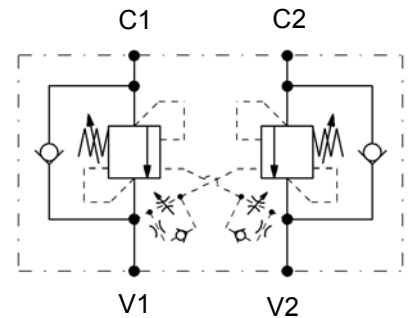
CB150DL 05

Dimensions

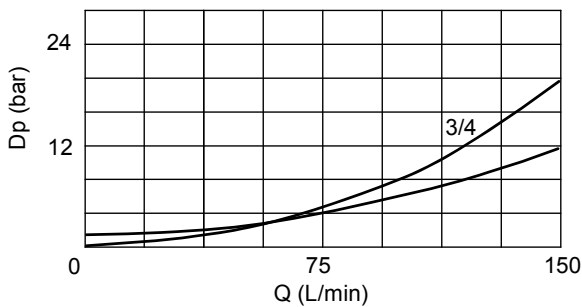


Size	V1 - V2 bsp	C1 - C2 Ø
03	1/2	13,5
04	3/4	13,5

Hydraulic Symbol



Curves



Features

Max Flow	150 lpm
Max Pressure	350 bar
Pilot Ratio	4:1 - Standard
Std. Pressure range	100 - 350 bar

Materials: Zinc plated steel cartridge, hardened steel inner parts.
Aluminium manifold.

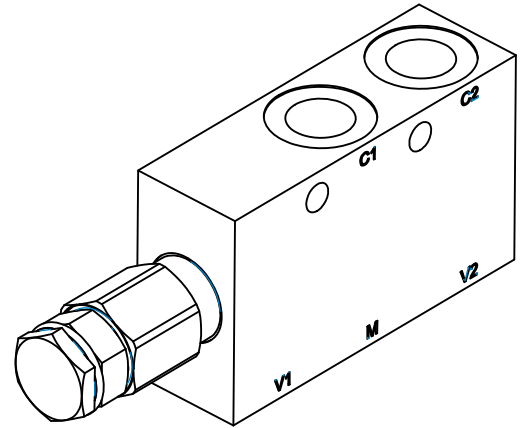
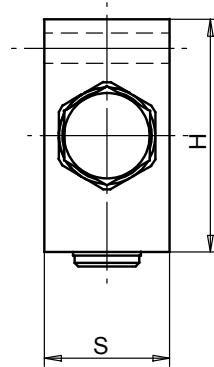
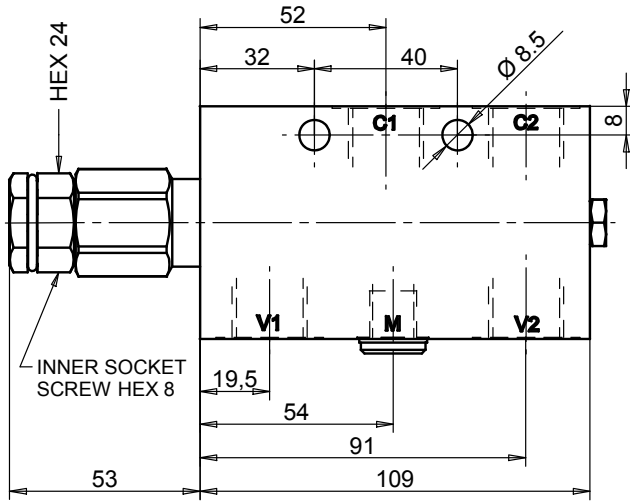
Ordering Code

CB150DLF - -

Port Size BSP	
03	1/2
04	3/4

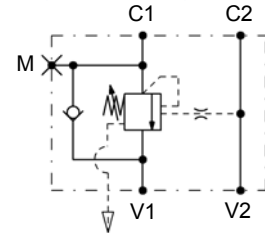
Ordering Code Example: CB150DLF04 - 3/4" BSP Ports - 100-350 bar setting range.

Dimensions

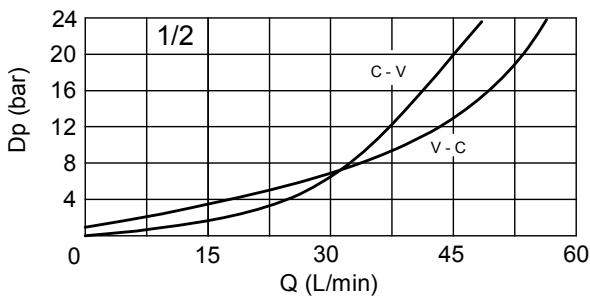


Size	V1 - V2 C1 - C2	M	H	S
02	G 3/8	-	55	30
03	G 1/2	G 1/4	65	35

Hydraulic Symbol



Curves



Features

Max Flow	60 lpm
Max Pressure	350 bar
Pilot Ratio	4,2:1
Std. Pressure range	100 - 350 bar

Materials: Zinc plated steel manifold, hardened steel inner parts.

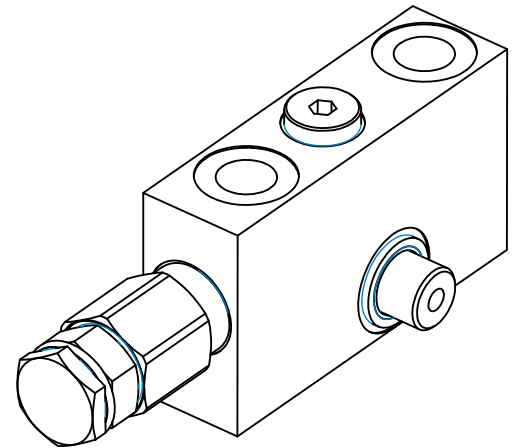
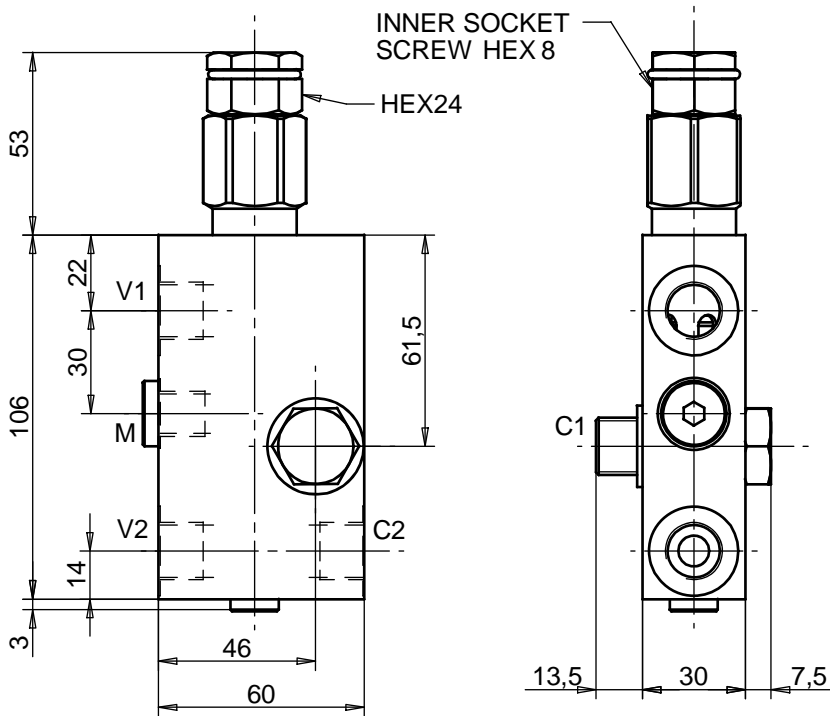
Ordering Code

CBSLCC - -

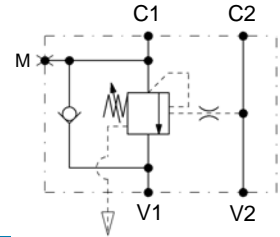
	Port Size BSP
02	3/8
03	1/2

Ordering Code Example: CBSLCC02 - 3/8" BSP Ports - 100-350 bar setting range.

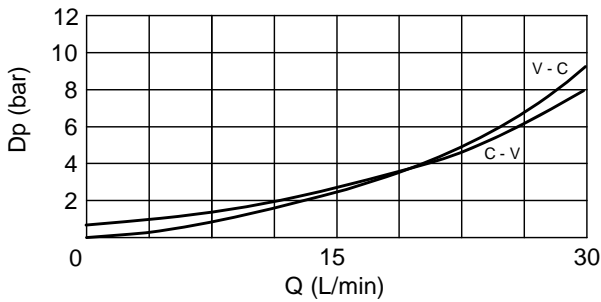
Dimensions



Hydraulic Symbol



Curves



Features

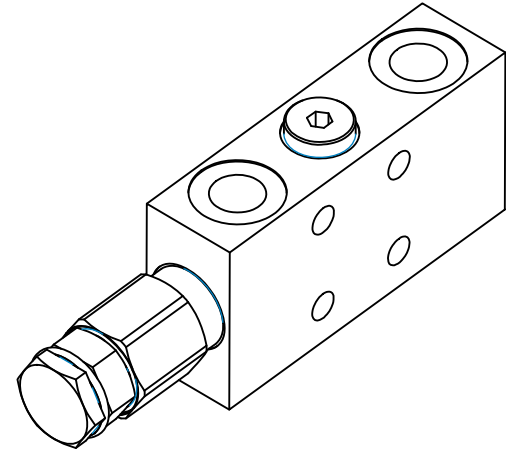
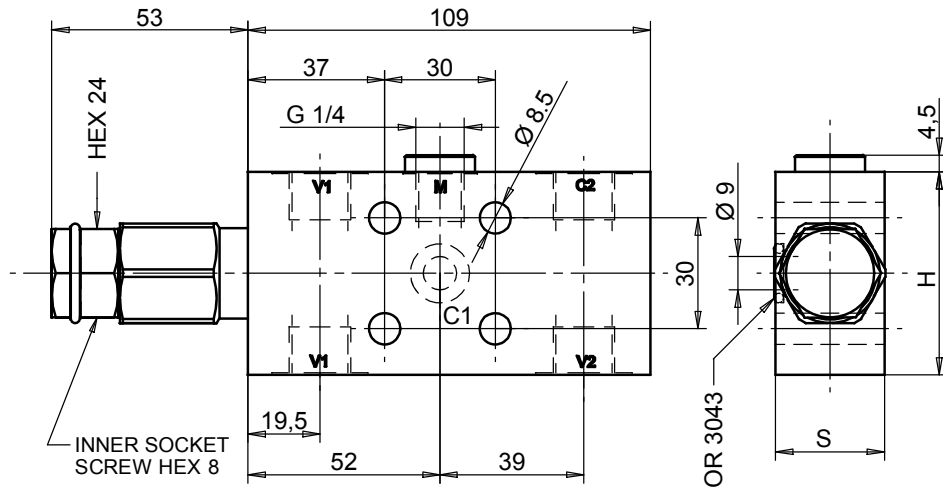
Max Flow	40 lpm
Max Pressure	350 bar
Pilot Ratio	4,2:1
Std. Pressure range	100 - 350 bar
Ports	3/8 bsp

Materials: Zinc plated steel cartridge, hardened steel inner parts.
Aluminium manifold.

Ordering Code

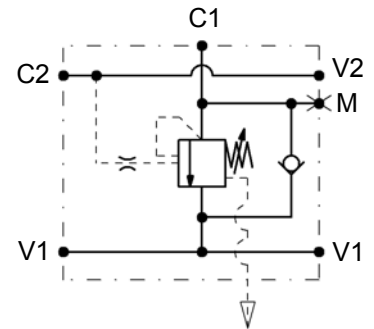
CBSEPFBC02

Dimensions

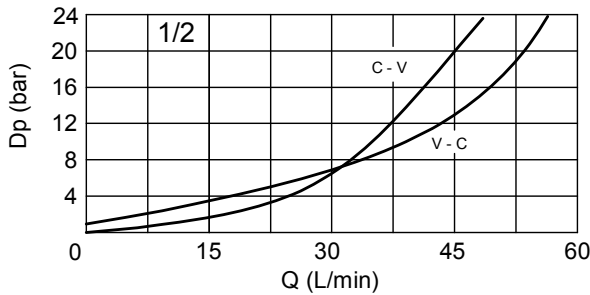


Size	V1-V2 C2	H	S
02	G 3/8	55	29,5
03	G 1/2	65	34,5

Hydraulic Symbol



Curves



Features

Max Flow	60 lpm
Max Pressure	350 bar
Pilot Ratio	4,2:1
Std. Pressure range	100 - 350 bar

Materials: Zinc plated steel manifold, hardened steel inner parts.

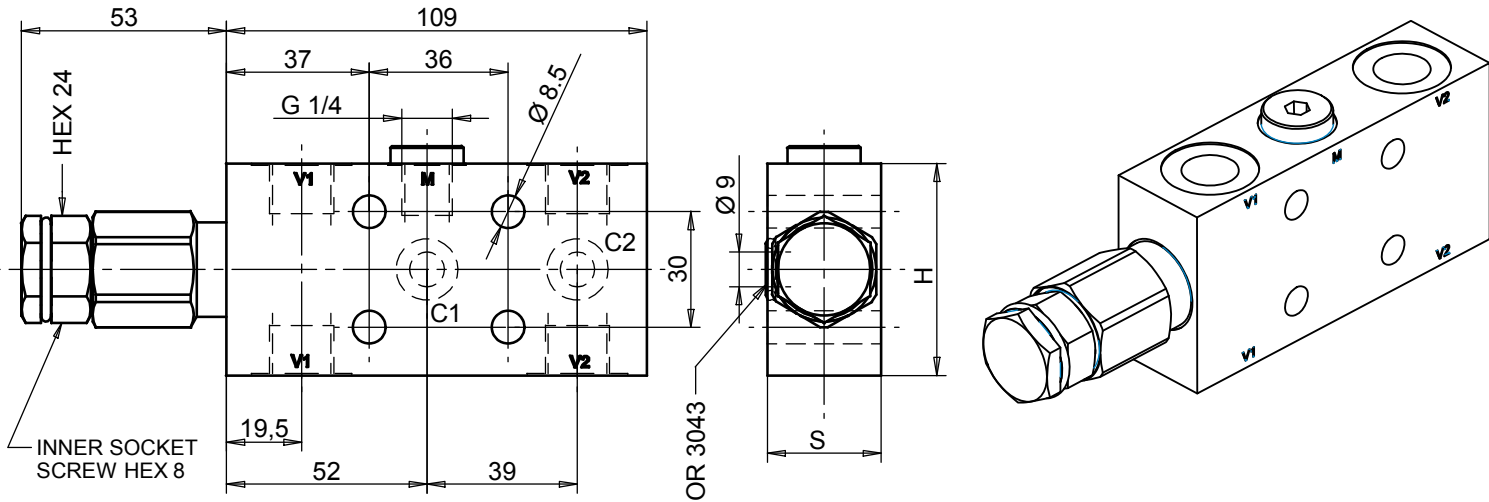
Ordering Code

CBSL1FCC --

	Port Size BSP
02	3/8
03	1/2

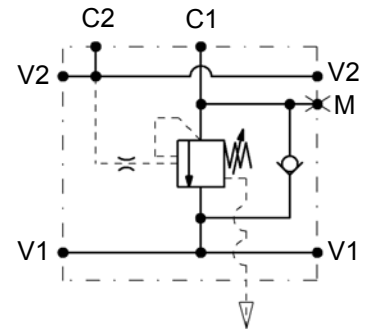
Ordering Code Example: CBSL1FCC02 - 3/8" BSP Ports - 100-350 bar setting range.

Dimensions

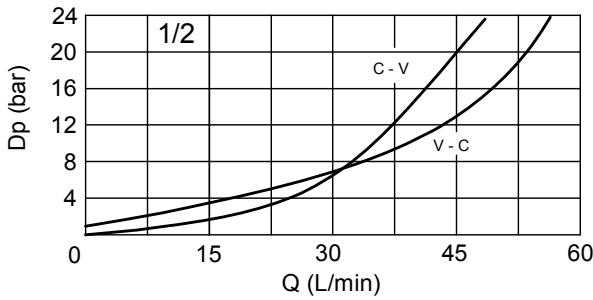


Size	V1-V2 C2	H	S
02	G 3/8	55	29,5
03	G 1/2	65	34,5

Hydraulic Symbol



Curves



Features

Max Flow	60 lpm
Max Pressure	350 bar
Pilot Ratio	4,2:1
Std. Pressure range	100 - 350 bar

Materials: Zinc plated steel manifold, hardened steel inner parts.

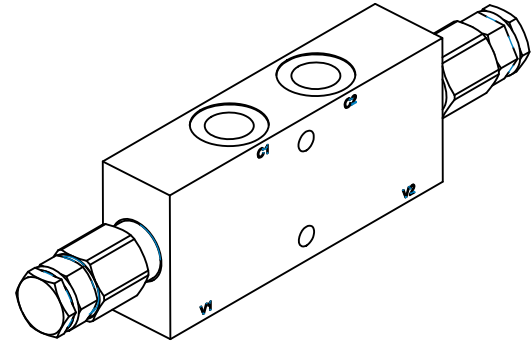
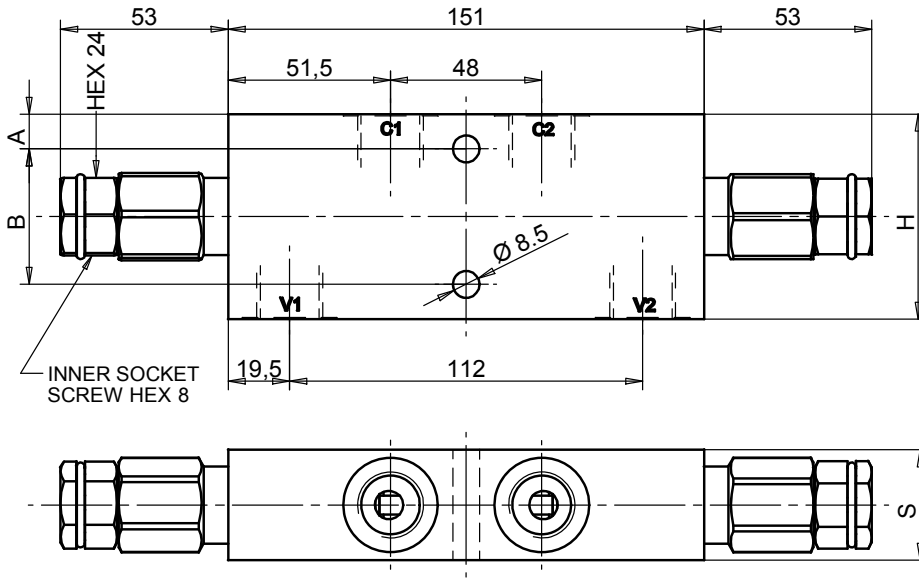
Ordering Code

CBSL2FCC --

	Port Size BSP
02	3/8
03	1/2

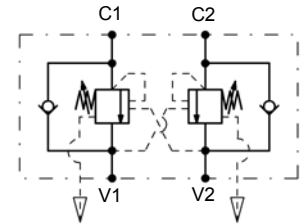
Ordering Code Example: CBSL2FCC03 - 1/2" BSP Ports - 100-350 bar setting range.

Dimensions

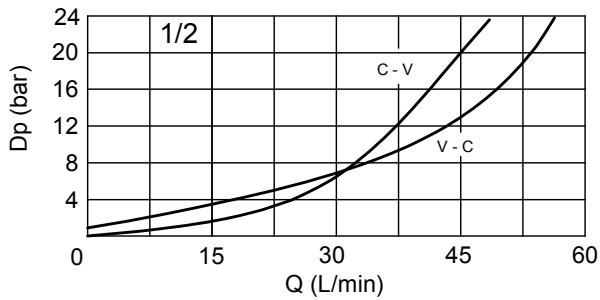


Size	V1 - V2	A	B	H	S
02	G 3/8	8,5	38	55	30
03	G 1/2	11	43	65	35

Hydraulic Symbol



Curves



Features

Max Flow	60 lpm
Max Pressure	350 bar
Pilot Ratio	4,2:1
Std. Pressure range	100 - 350 bar

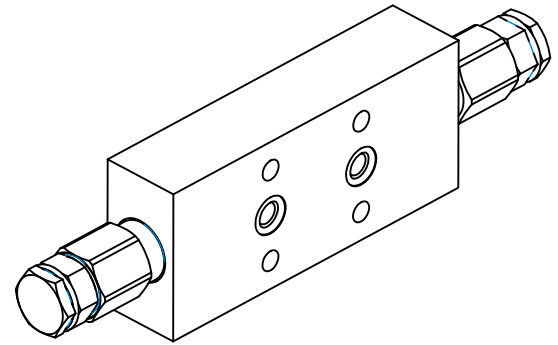
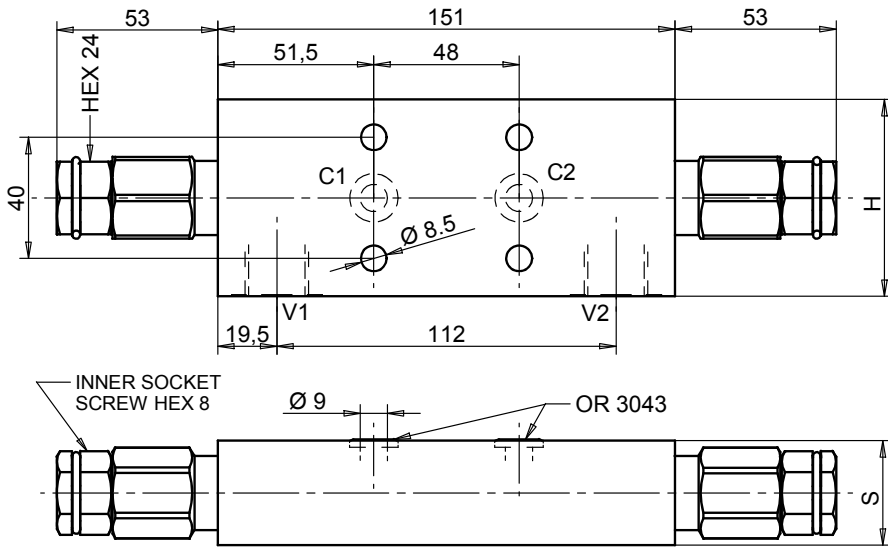
Materials: Zinc plated steel manifold, hardened steel inner parts.

Ordering Code

CBDLCC	
--	
Port Size BSP	
02	3/8
03	1/2

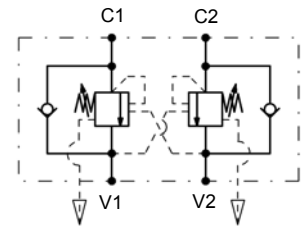
Ordering Code Example: CBDLCC02 - 3/8" BSP Ports - 100-350 bar setting range.

Dimensions

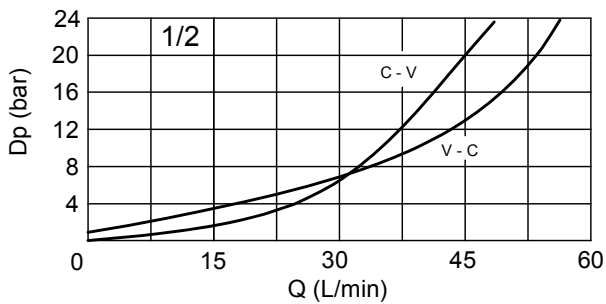


Size	V1 - V2	H	S
02	G 3/8	55	30
03	G 1/2	65	35

Hydraulic Symbol



Curves



Features

Max Flow	60 lpm
Max Pressure	350 bar
Pilot Ratio	4,2:1
Std. Pressure range	100 - 350 bar

Materials: Zinc plated steel manifold, hardened steel inner parts.

Ordering Code

CBDLFCC

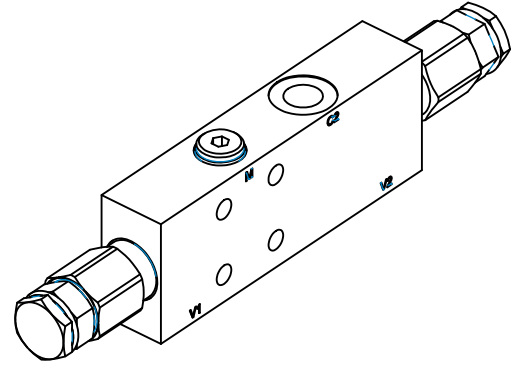
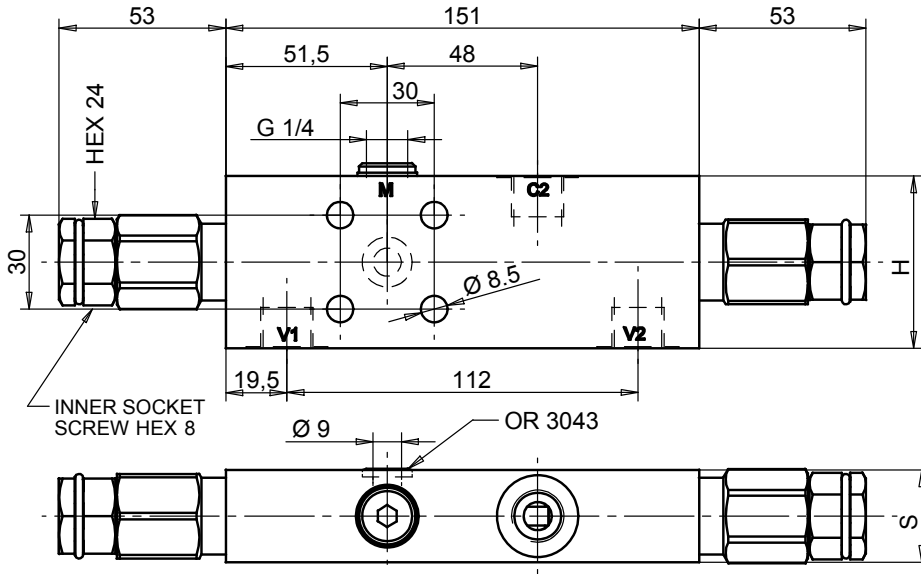
--

Port Size BSP

02	3/8
03	1/2

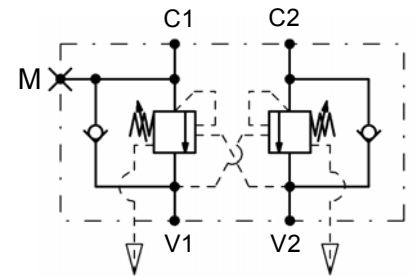
Ordering Code Example: CBDLFCC03 - 1/2" BSP Ports - 100-350 bar setting range.

Dimensions

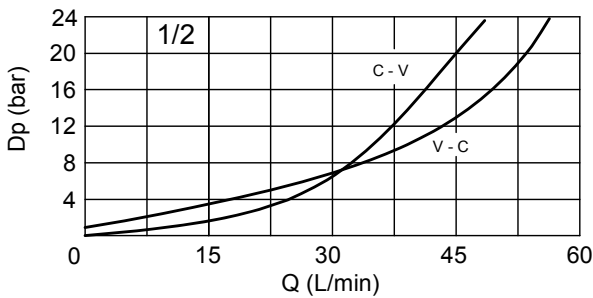


Size	V1 - V2	H	S
02	G 3/8	55	29,5
03	G 1/2	65	34,5

Hydraulic Symbol



Curves



Features

Max Flow	60 lpm
Max Pressure	350 bar
Pilot Ratio	4,2:1
Std. Pressure range	100 - 350 bar

Materials: Zinc plated steel manifold, hardened steel inner parts.

Ordering Code

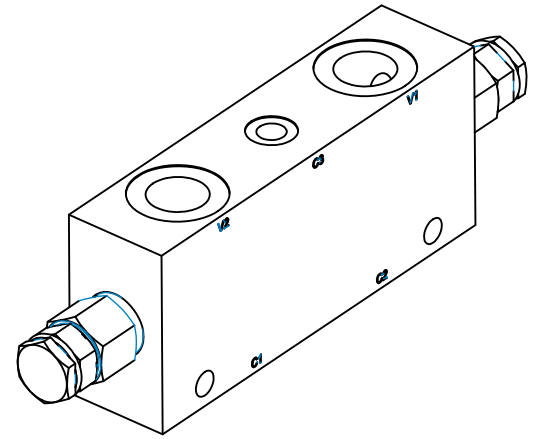
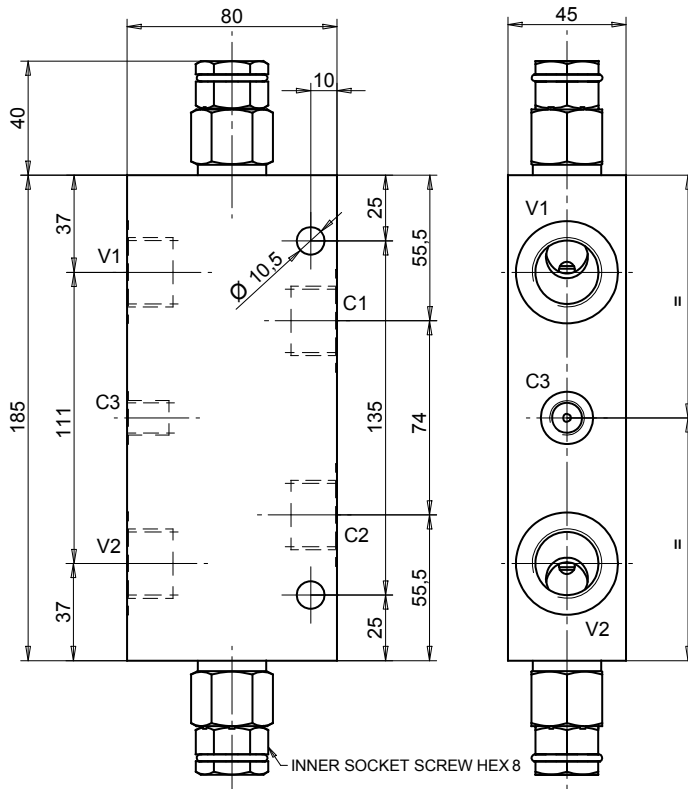
CBDL1FCC - -

Port Size BSP

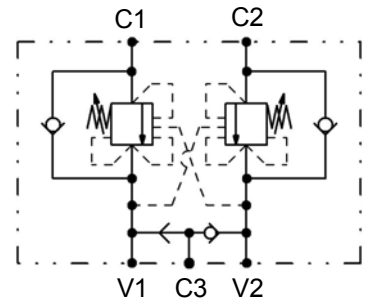
02	3/8
03	1/2

Ordering Code Example: CDBL1FCC02 - 3/8" BSP Ports - 100-350 bar setting range.

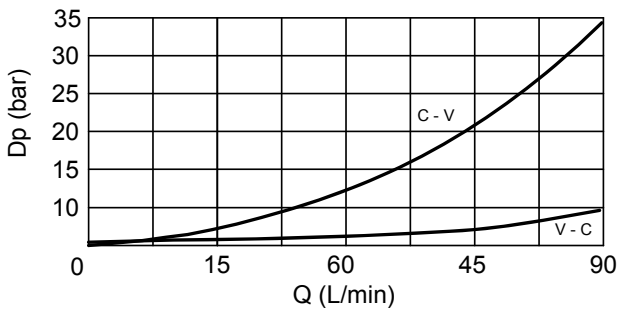
Dimensions



Hydraulic Symbol



Curves



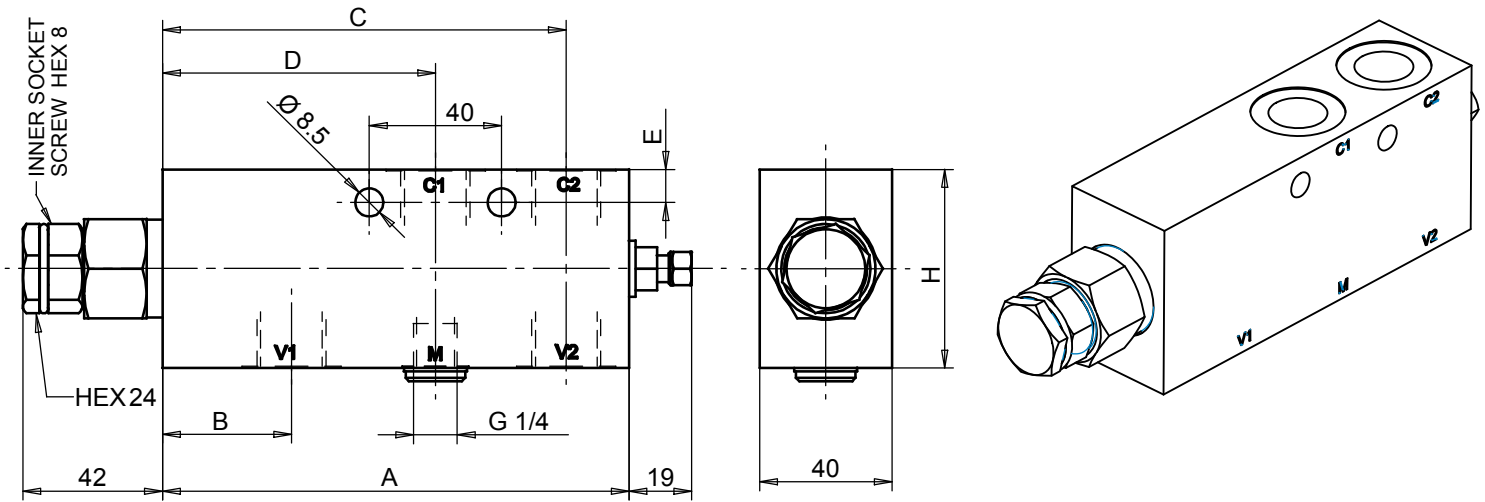
Features

Max Flow	100 lpm
Max Pressure	350 bar
Pilot Ratio	4,2:1
Std. Pressure range	100 - 350 bar
Ports	V1-V2: G 3/4 C1-C2: G 3/4 C3: G 1/4

Ordering Code

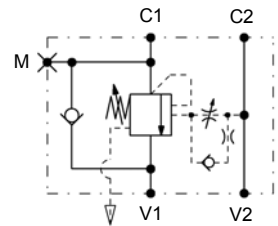
CB90DLSFCC 04

Dimensions

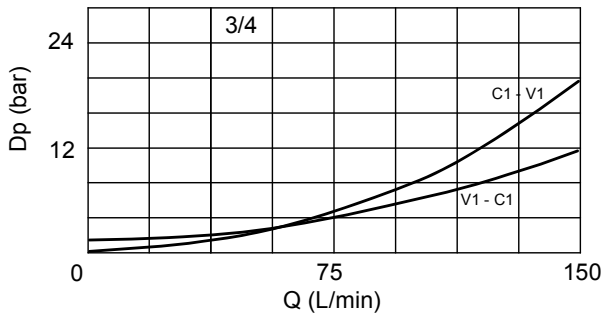


Size	V1 - V2	A	B	C	D	E	H
03	G 1/2	141	39	122,5	82,5	10	60
04	G 3/4	147	40	126	83	60	80

Hydraulic Symbol



Curves



Features

Max Flow	150 lpm
Max Pressure	350 bar
Pilot Ratio	4:1 Standard
Std. Pressure range	100 - 350 bar

Materials: Zinc plated steel manifold, hardened steel inner parts.

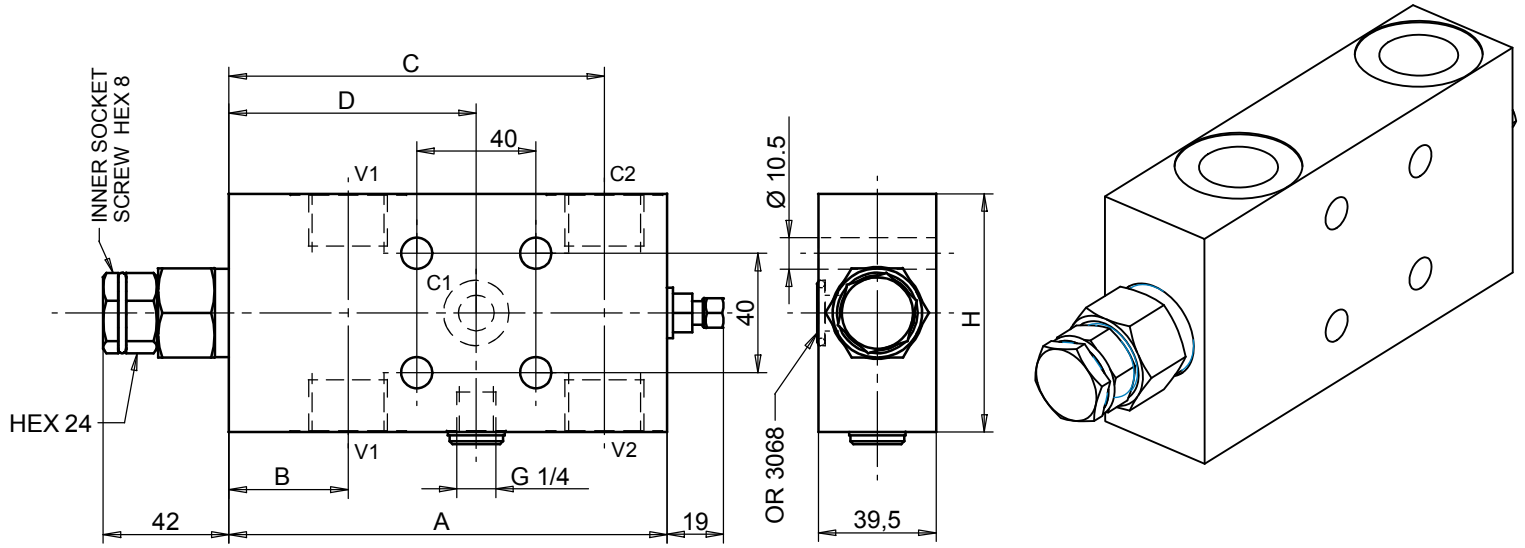
Ordering Code

CB150SLCC - -

Port Size BSP	
03	1/2
04	3/4

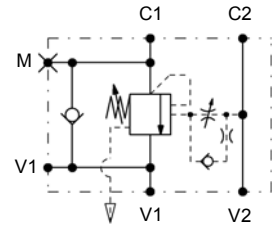
Ordering Code Example: CB150SLCC04 - 3/4" BSP Ports - 100-350 bar setting range.

Dimensions

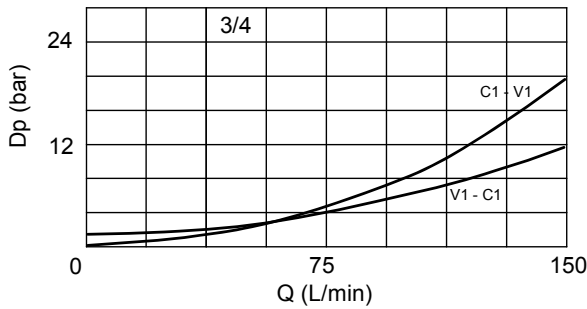


Size	V1 - V2	C1	A	B	C	D	H
03	G 1/2	12	141	39	122,5	82,5	60
04	G 3/4	12	141	40	126	83	80

Hydraulic Symbol



Curves



Features

Max Flow	150 lpm
Max Pressure	350 bar
Pilot Ratio	4:1 Standard
Std. Pressure range	100 - 350 bar

Materials: Zinc plated steel manifold, hardened steel inner parts.

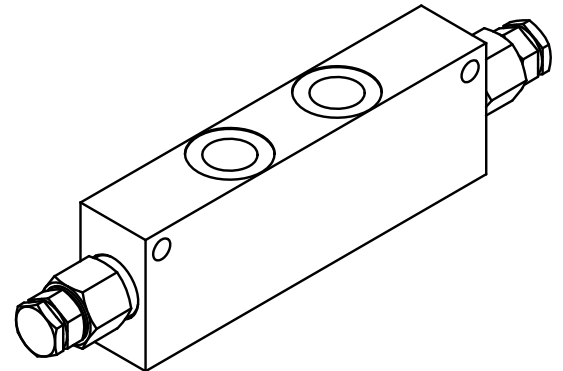
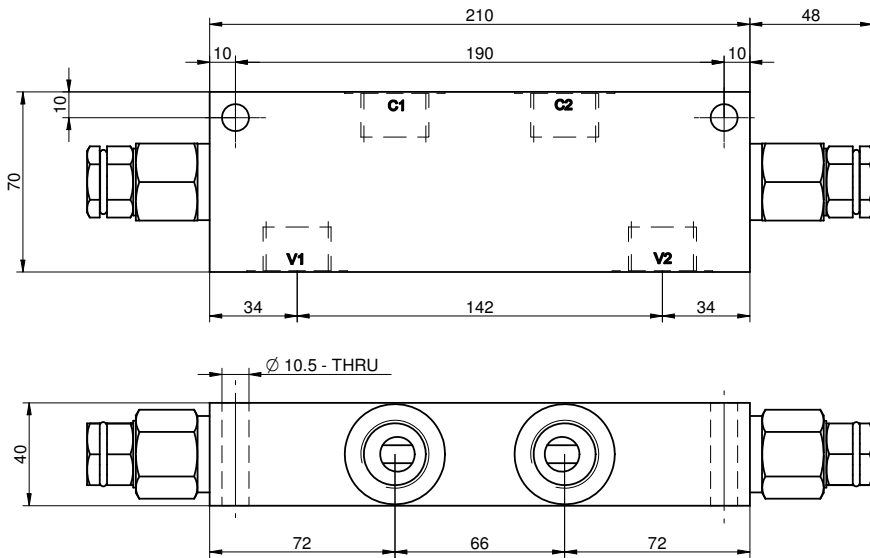
Ordering Code

CB150SLFCC - -

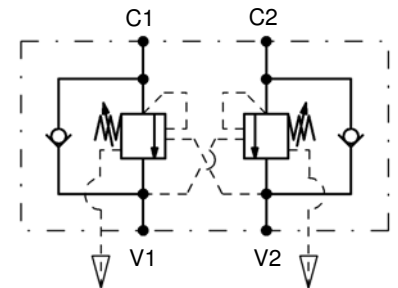
Port Size BSP	
03	1/2
04	3/4

Ordering Code Example: CB150SLFCC04 - 3/4" BSP Ports - 100-350 bar setting range.

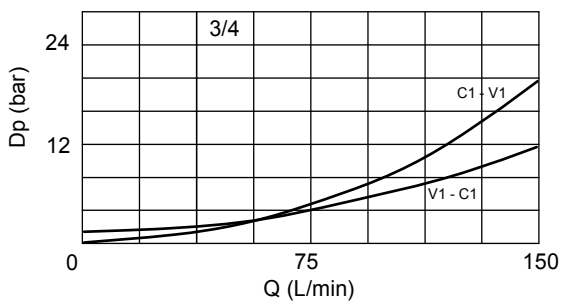
Dimensions



Hydraulic Symbol



Curves



Features

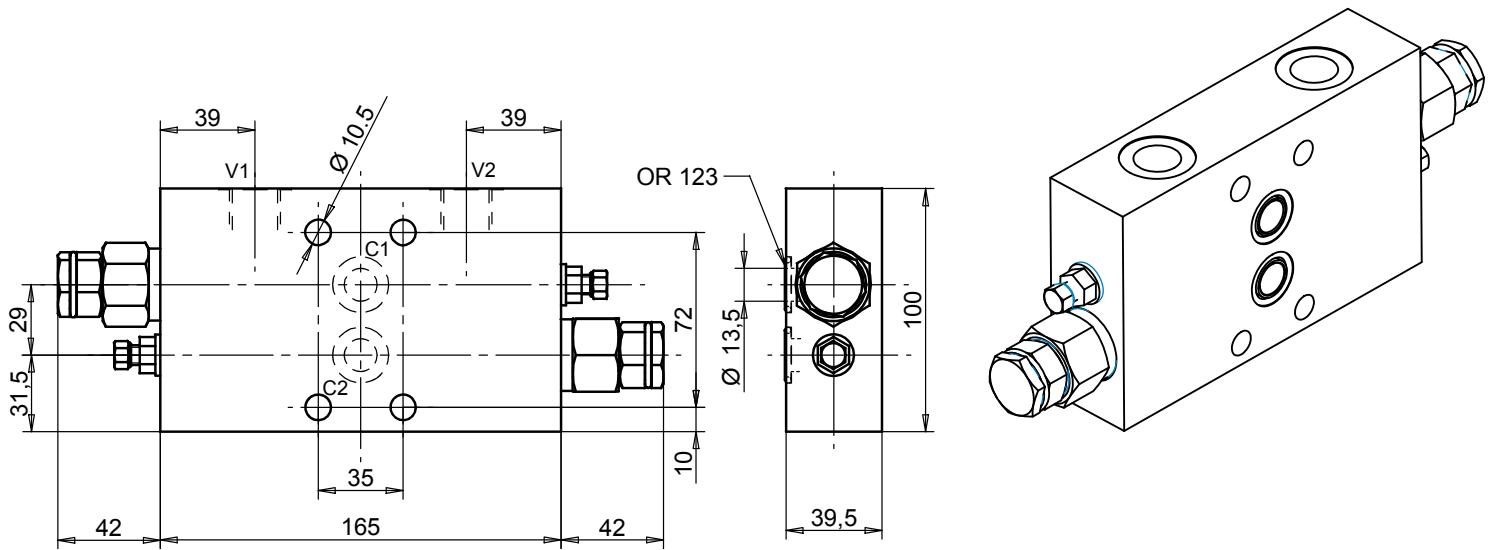
Max Flow	150 lpm
Max Pressure	350 bar
Overcentre setting range	100 ÷ 350 bar
Pilot Ratio	4:1
Port Sizes	V1-V2-C1-C2 = G 3/4 BSP

Materials: Aluminium manifold.

Ordering Code

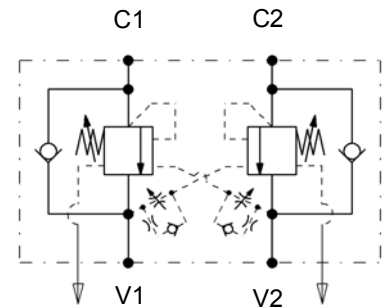
CB150DLCC04

Dimensions

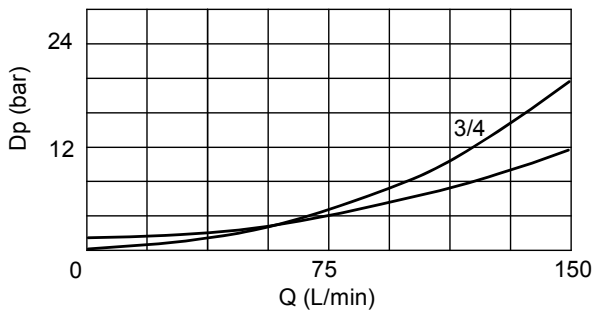


Size	V1 - V2 bsp	C1 - C2 Ø
03	1/2	13,5
04	3/4	13,5

Hydraulic Symbol



Curves



Features

Max Flow	150 lpm
Max Pressure	350 bar
Pilot Ratio	4:1 - Standard
Std. Pressure range	100 - 350 bar

Materials: Zinc plated steel cartridge, hardened steel inner parts. Aluminium manifold.

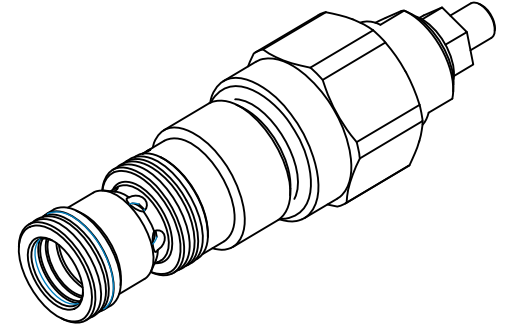
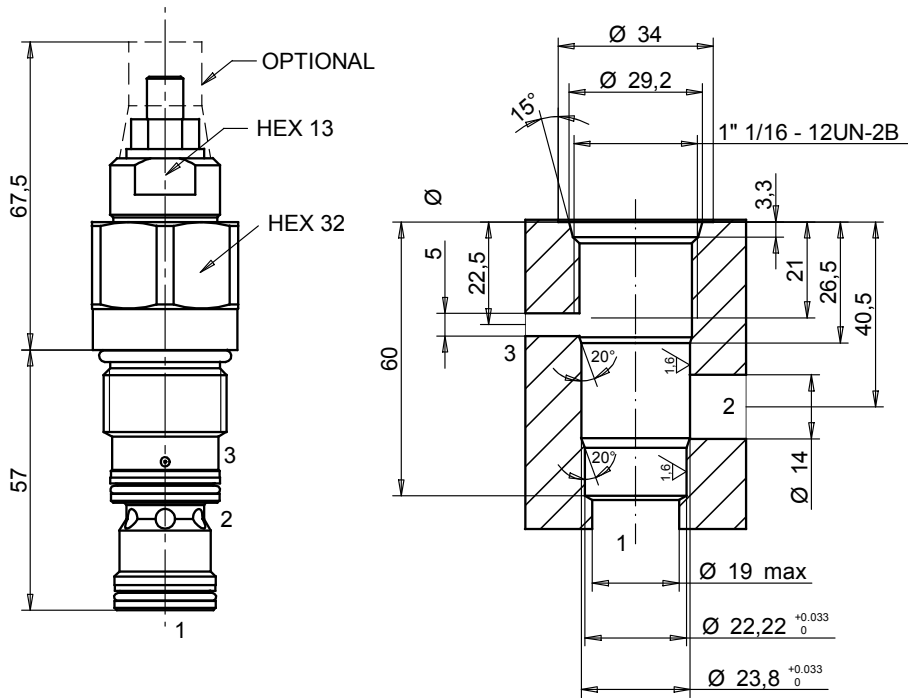
Ordering Code

CB150DLFCC --

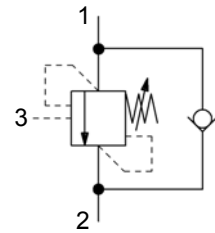
Port Size BSP	
03	1/2
04	3/4

Ordering Code Example: CB150DLFCC04 - 3/4" BSP Ports - 100-350 bar setting range.

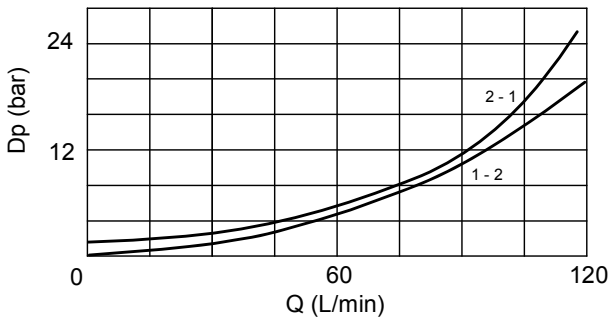
Dimensions



Hydraulic Symbol



Curves



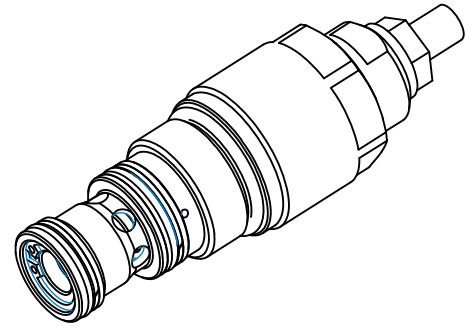
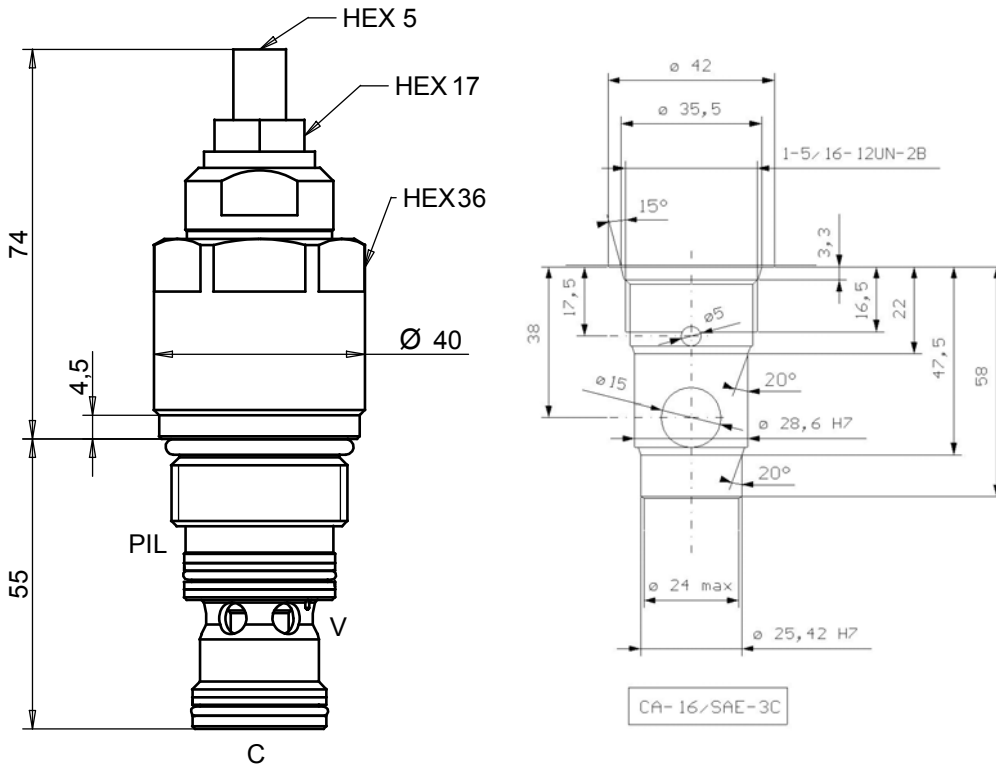
Features

Max Flow	120 lpm
Max Pressure	350 bar
Pilot Ratio	4:1 - Standard
Installation torque	75 - 85 Nm
Std. Pressure range	140 - 350 bar

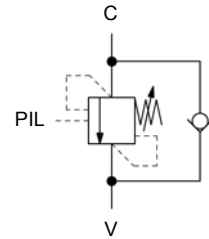
Ordering Code

CBCE 120

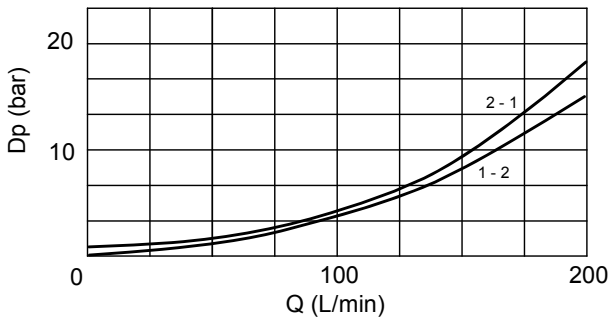
Dimensions



Hydraulic Symbol



Curves



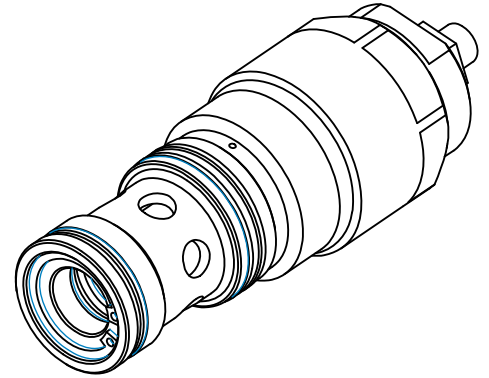
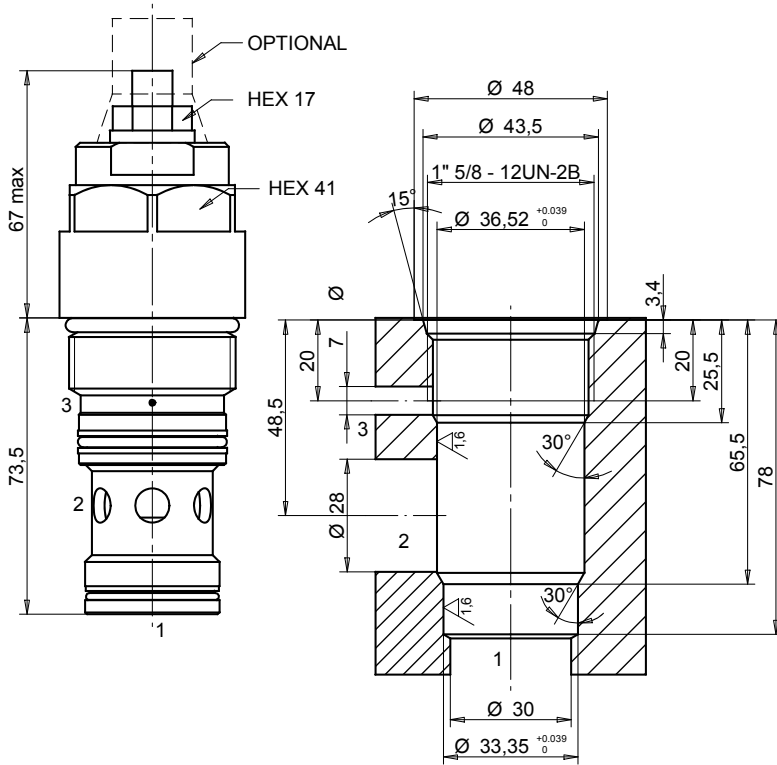
Features

Max Flow	200 lpm
Max Pressure	350 bar
Pilot Ratio	4:1 - Standard
Std. Pressure range	100 - 350 bar
Installation torque	105 - 120 Nm

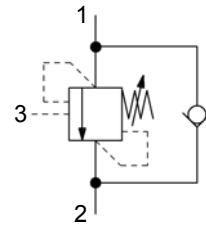
Ordering Code

CBCE 200

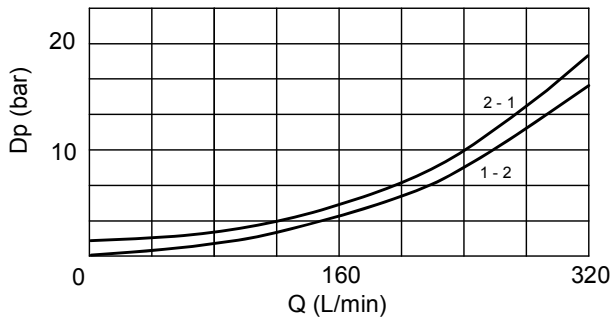
Dimensions



Hydraulic Symbol



Curves



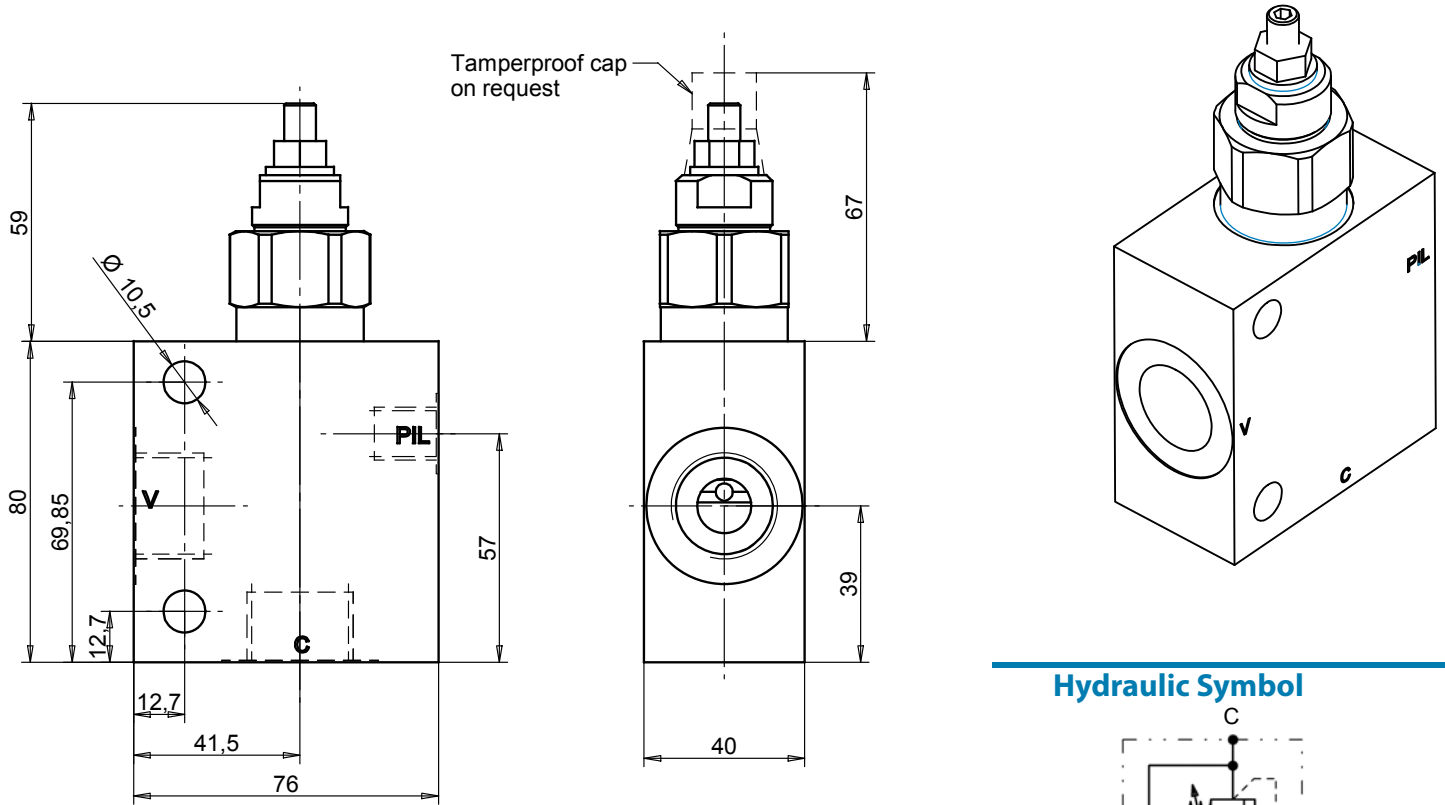
Features

Max Flow	320 lpm
Max Pressure	350 bar
Pilot Ratio	4:1 - Standard
Std. Pressure range	140 - 350 bar
Installation torque	126 - 148 Nm

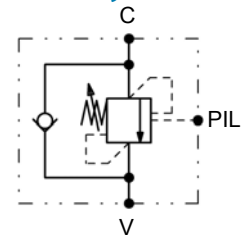
Ordering Code

CBCE 320

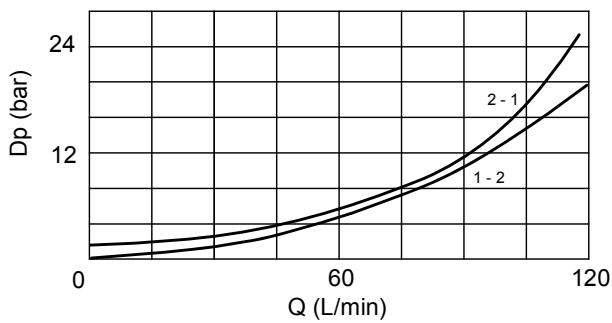
Dimensions



Hydraulic Symbol



Curves



Features

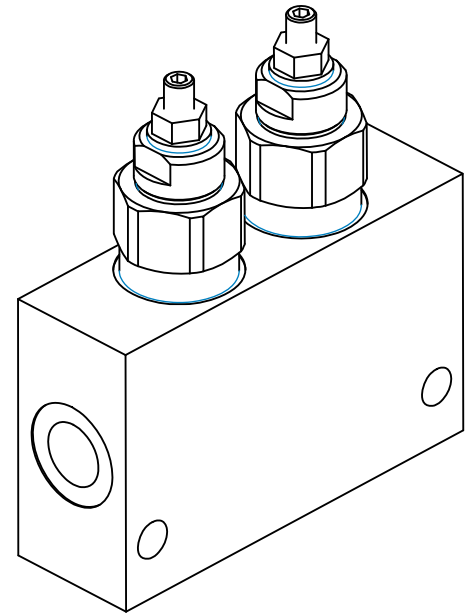
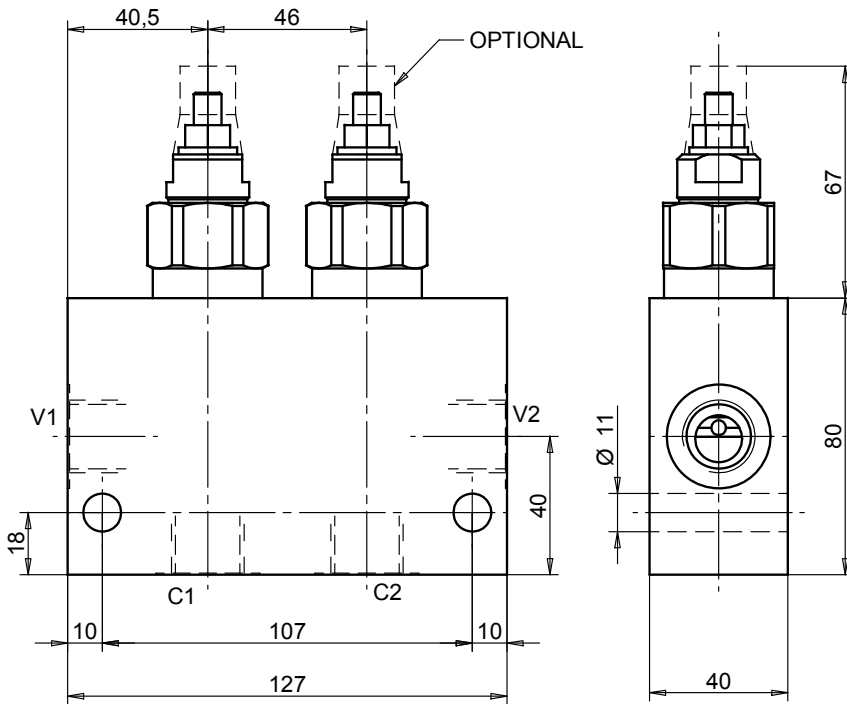
Max Flow	120 lpm
Max Pressure	250 bar
Pilot Ratio	4:1 - Standard
Std. Pressure range	140 - 350 bar
Ports	V-C: G 3/4 PIL: G 1/4

Materials: Zinc plated steel cartridge, hardened steel inner parts. Aluminium manifold.

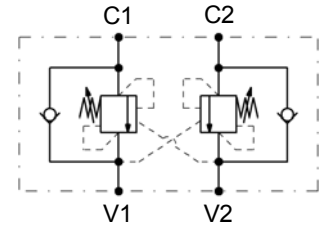
Ordering Code

CBCE120SE 04

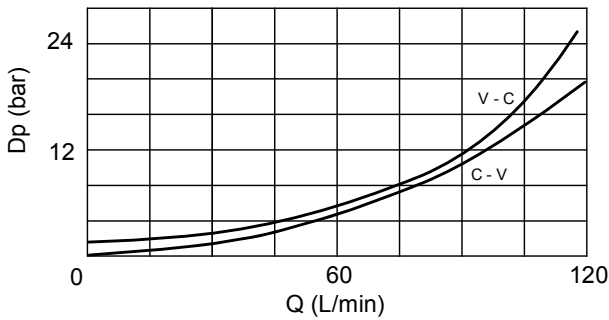
Dimensions



Hydraulic Symbol



Curves



Features

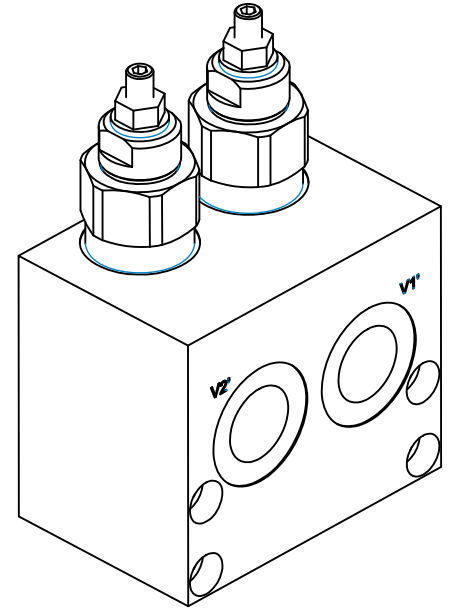
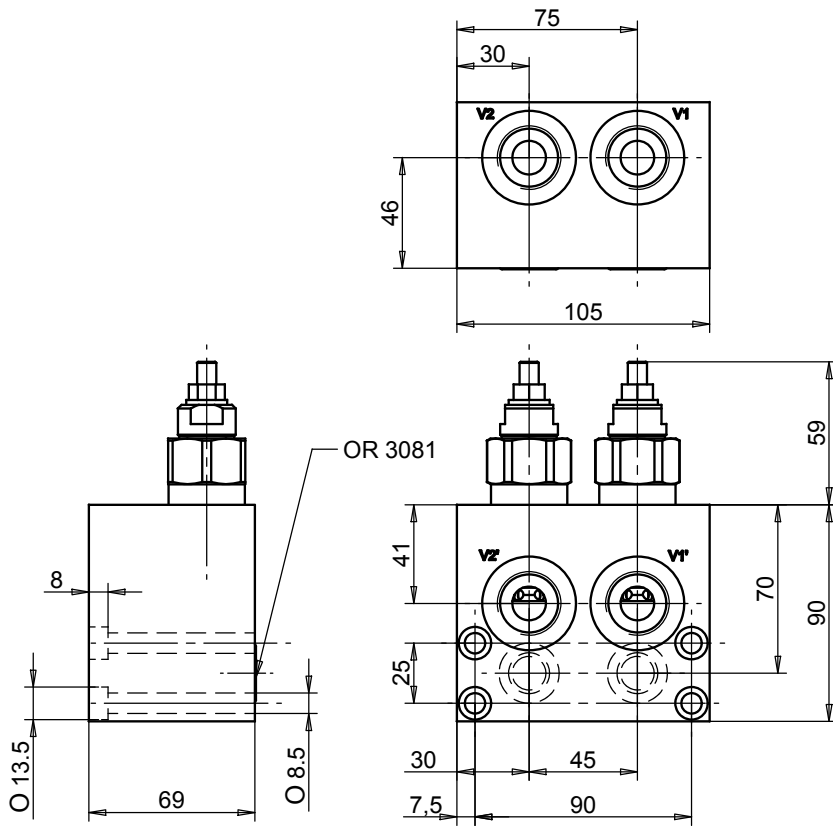
Max Flow	120 lpm
Max Pressure	350 bar
Pilot Ratio	4:1 - Standard
Ports	1/2 bsp

Materials: Zinc plated steel cartridge, hardened steel inner parts.
Aluminium manifold.

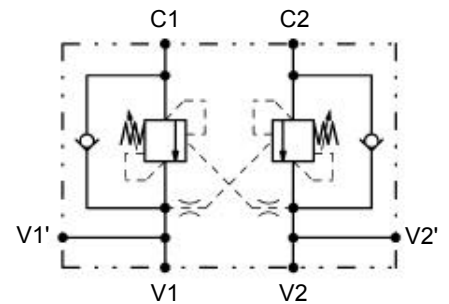
Ordering Code

CBCE120DE 03

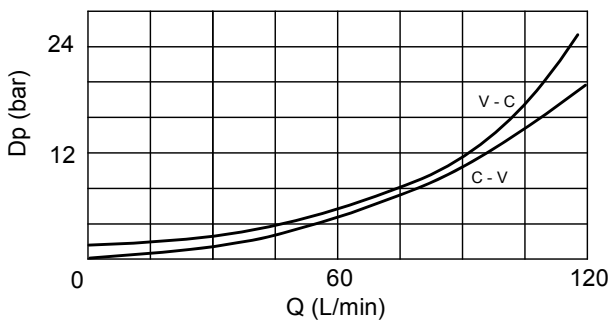
Dimensions



Hydraulic Symbol



Curves



Materials: Zinc plated steel manifold, hardened steel inner parts.

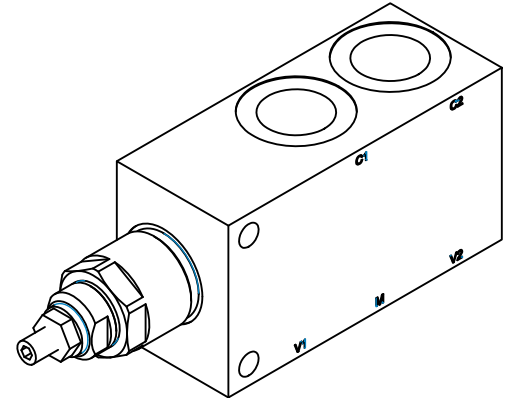
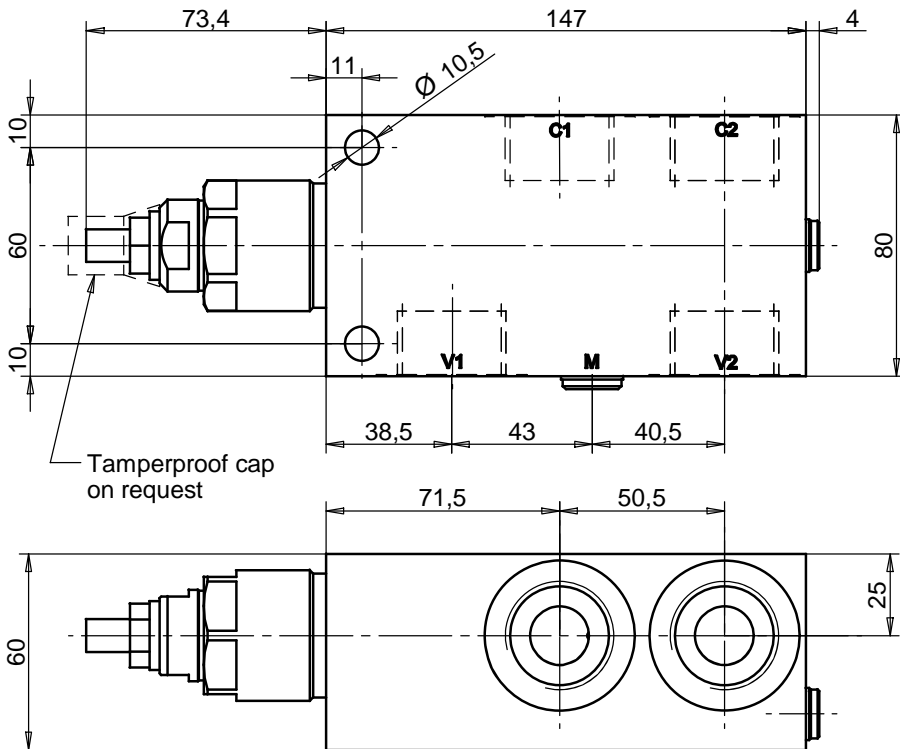
Features

Max Flow	120 lpm
Max Pressure	350 bar
Pilot Ratio	4:1
Std. Pressure range	140 - 350 bar
Ports	V1-V2: G 3/4 V1'-V2': G 3/4 C1-C2: Ø 14

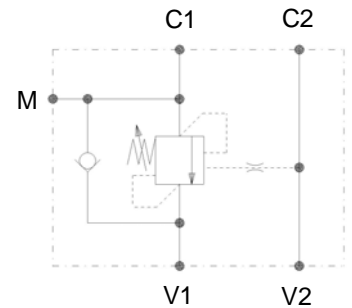
Ordering Code

CBCD120DEF 04

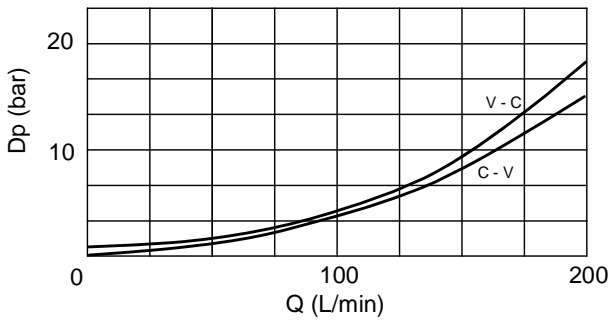
Dimensions



Hydraulic Symbol



Curves



Features

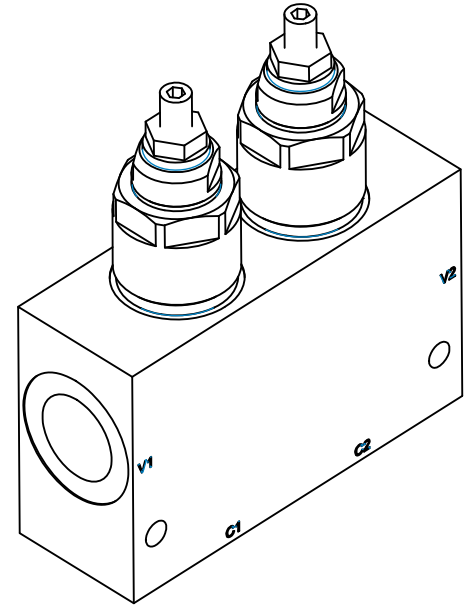
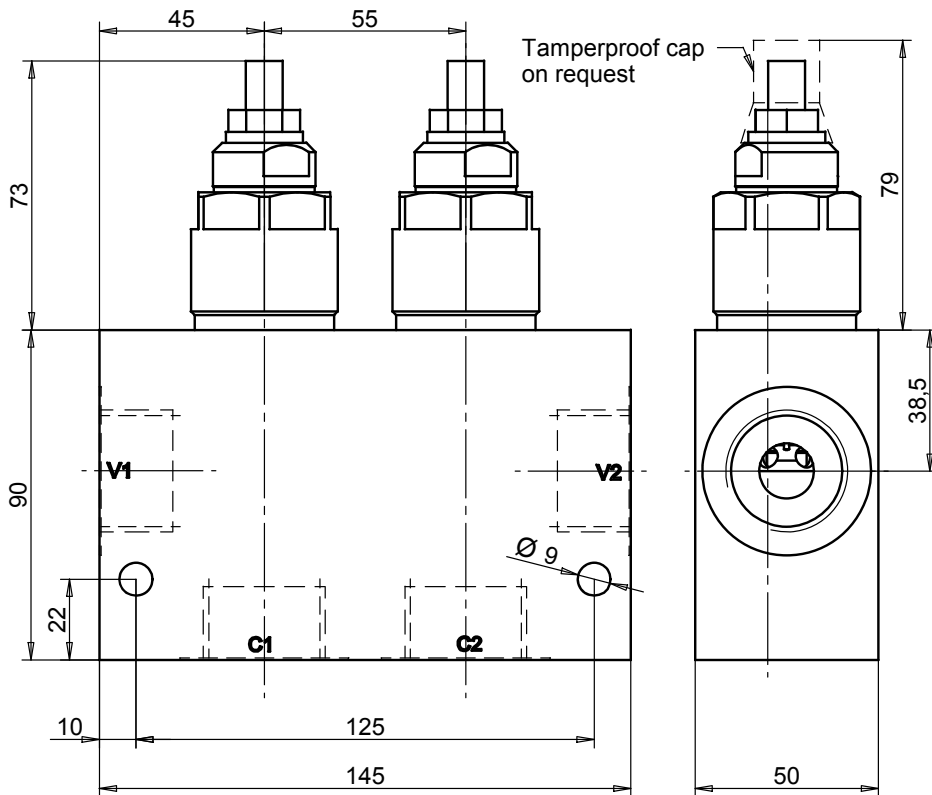
Max Flow	200 lpm
Max Pressure	250 bar
Pilot Ratio	4:1
Std. Pressure range	140 - 350 bar
Ports	V1-V2-C1-C2: 1 bsp M: 1/4 bsp

Materials: Zinc plated steel cartridge, hardened steel inner parts. Aluminium manifold.

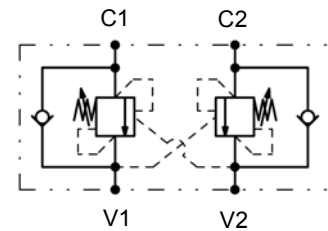
Ordering Code

CBCE200SE 05

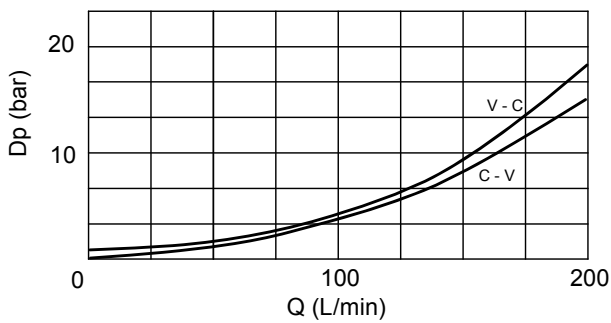
Dimensions



Hydraulic Symbol



Curves



Features

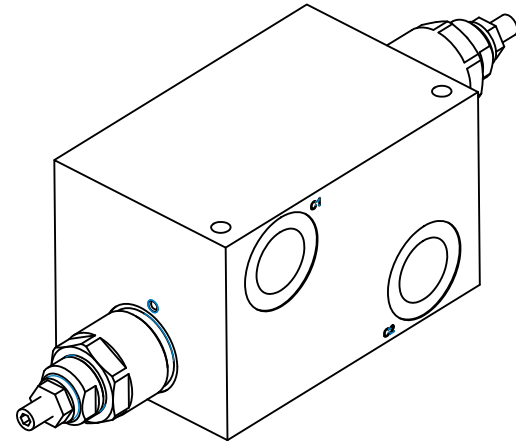
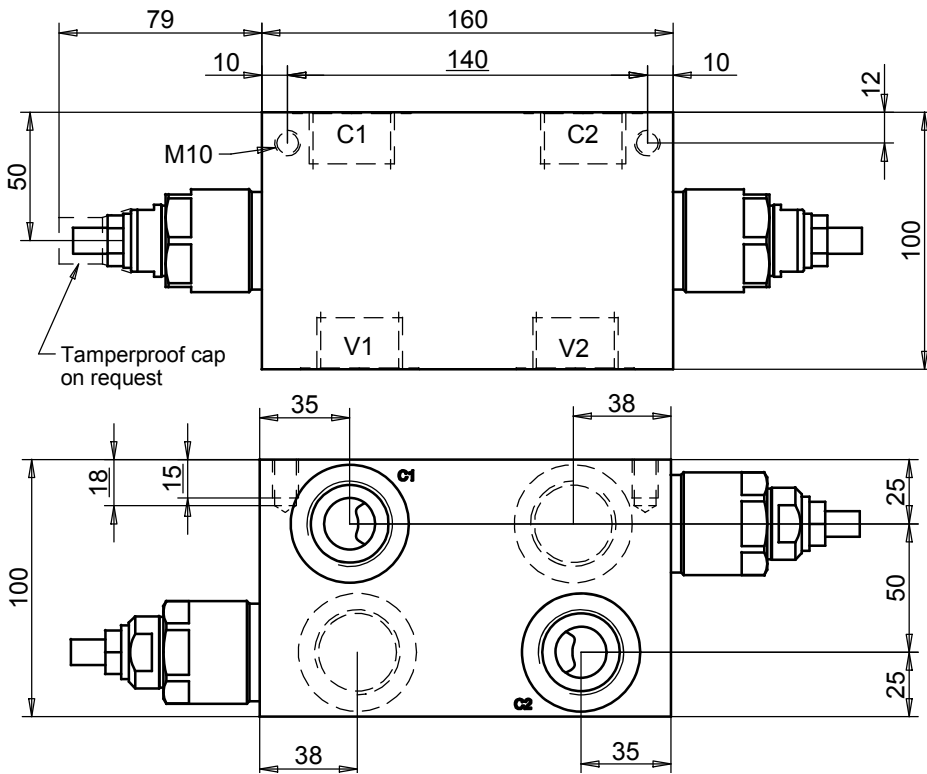
Max Flow	200 lpm
Max Pressure	250 bar
Pilot Ratio	4:1
Std. Pressure range	140 - 350 bar
Ports	V1-V2-C1-C2: 1 bsp

Materials: Zinc plated steel cartridge, hardened steel inner parts.
Aluminium manifold.

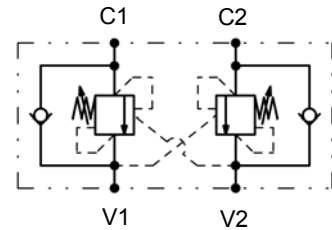
Ordering Code

CBCE200DE 05

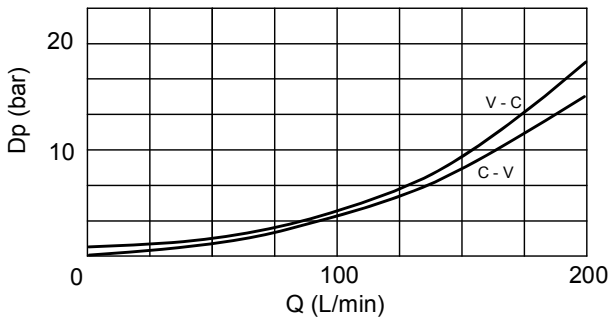
Dimensions



Hydraulic Symbol



Curves



Features

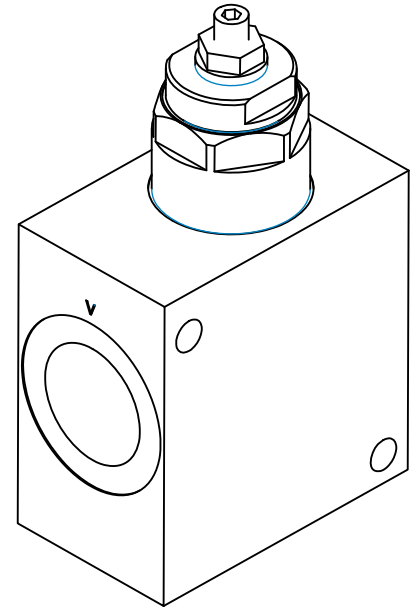
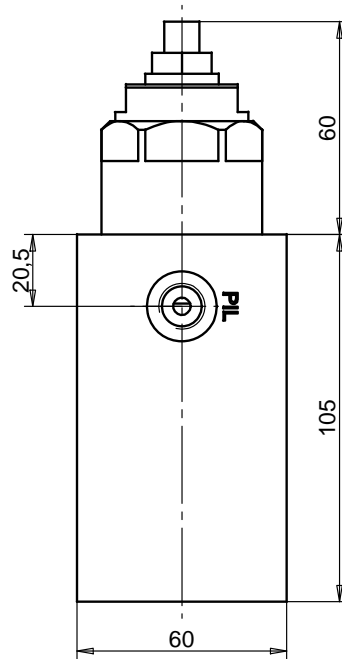
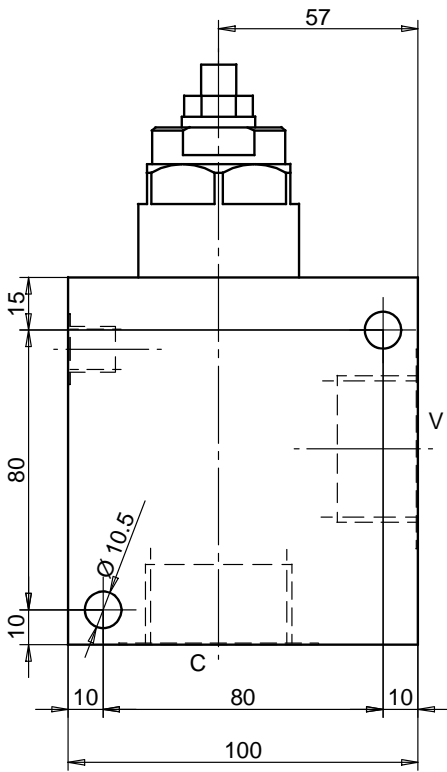
Max Flow	200 lpm
Max Pressure	350 bar
Pilot Ratio	4:1
Std. Pressure range	140 - 350 bar
Ports	V1-V2-C1-C2: 1 bsp

Materials: Zinc plated steel cartridge, hardened steel inner parts.
Aluminium manifold.

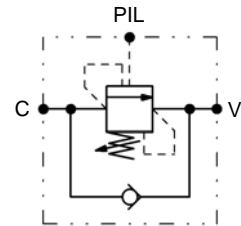
Ordering Code

CBCE200DEL 05

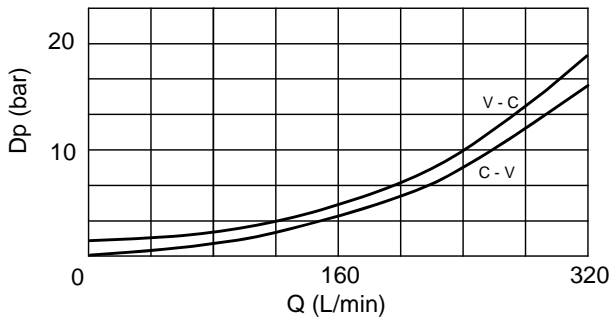
Dimensions



Hydraulic Symbol



Curves



Features

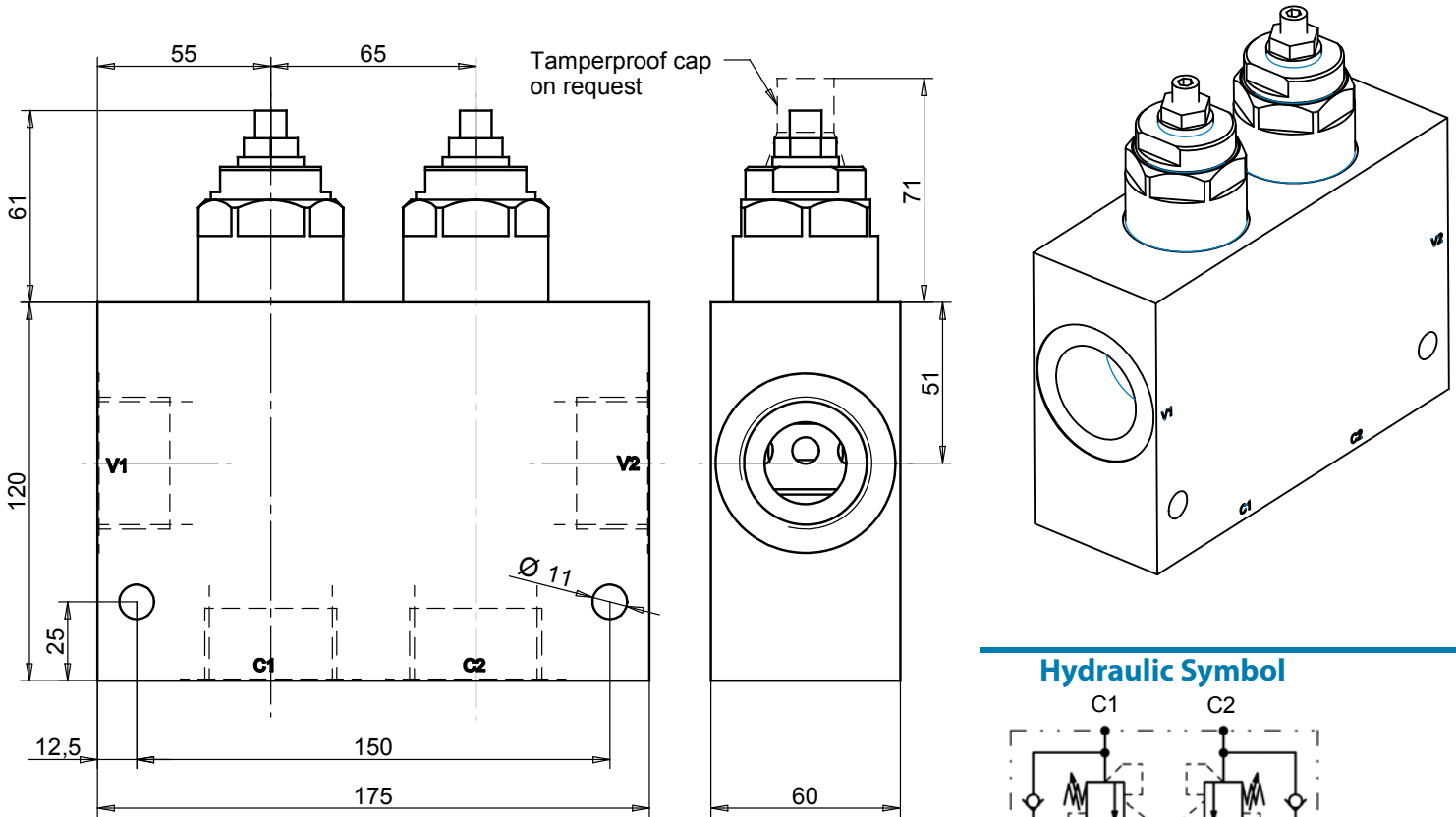
Max Flow	320 lpm
Max Pressure	350 bar
Pilot Ratio	4:1 Standard
Ports	1" 1/4 bsp
Std. Pressure range	140 - 350 bar

Materials: Aluminium manifold, hardened steel inner parts.

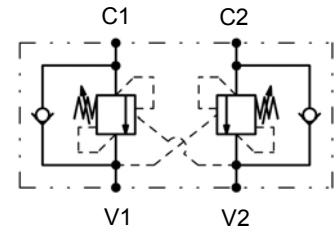
Ordering Code

CBCE320SE 06

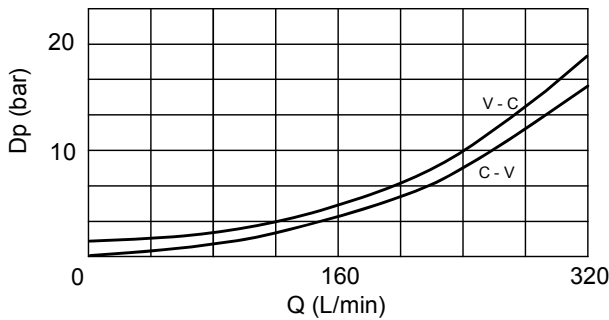
Dimensions



Hydraulic Symbol



Curves



Features

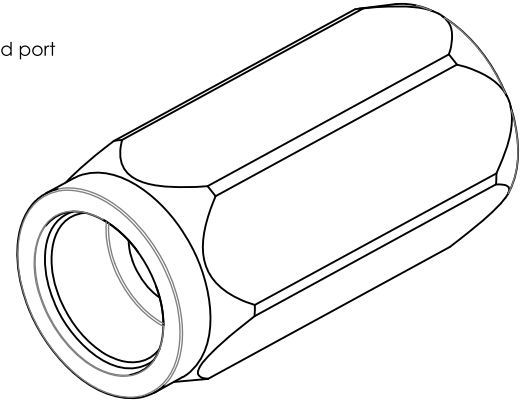
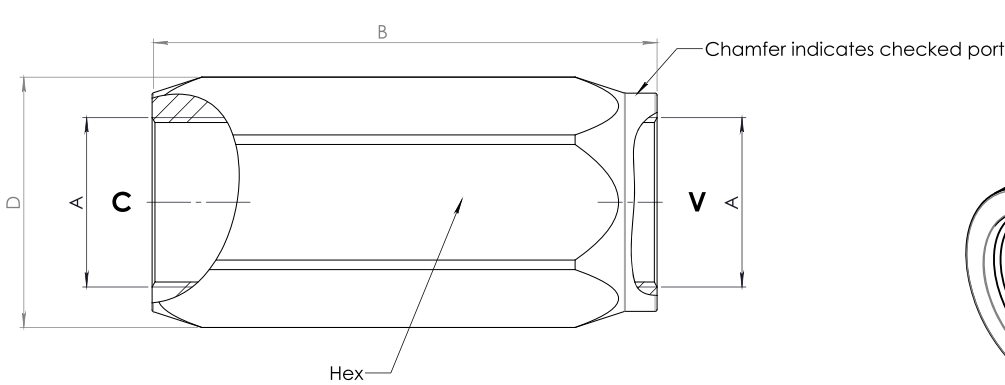
Max Flow	320 lpm
Max Pressure	250 bar
Pilot Ratio	4:1
Std. Pressure range	140 - 350 bar
Ports	V1-V2-C1-C2: 1" 1/4 bsp

Materials: Zinc plated steel cartridge, hardened steel inner parts.
Aluminium manifold.

Ordering Code

CBCE320DE 06

Dimensions

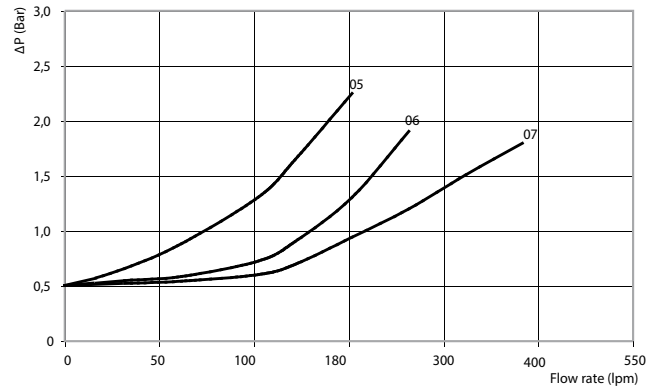
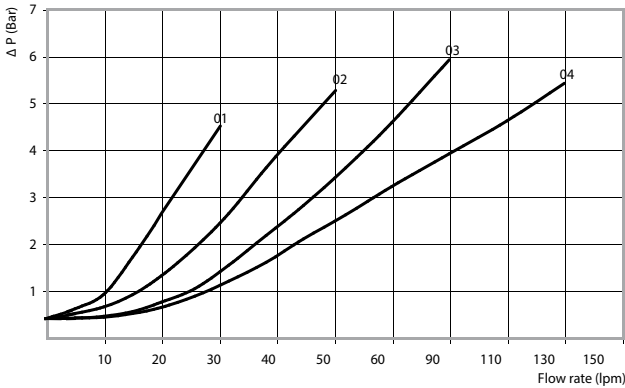


Size	A BSP	B	D	Hex	Weight kg	Max Pressure bar	Max Flow rate lpm
01	1/4	58	21	19	0,10	400	30
02	3/8	62	27	24	0,19	400	50
03	1/2	71	33	30	0,32	350	90
04	3/4	83	40	36	0,58	300	130
05	1	106	57	50	0,93	280	180
06	1 1/4	125	63	55	1,51	260	250
07	1 1/2	137	74	65	2,41	220	380

Hydraulic Symbol



Curves



Materials: Zinc plated steel body, hardened steel poppet.

Ordering Code

CVL

--

-

Size BSP

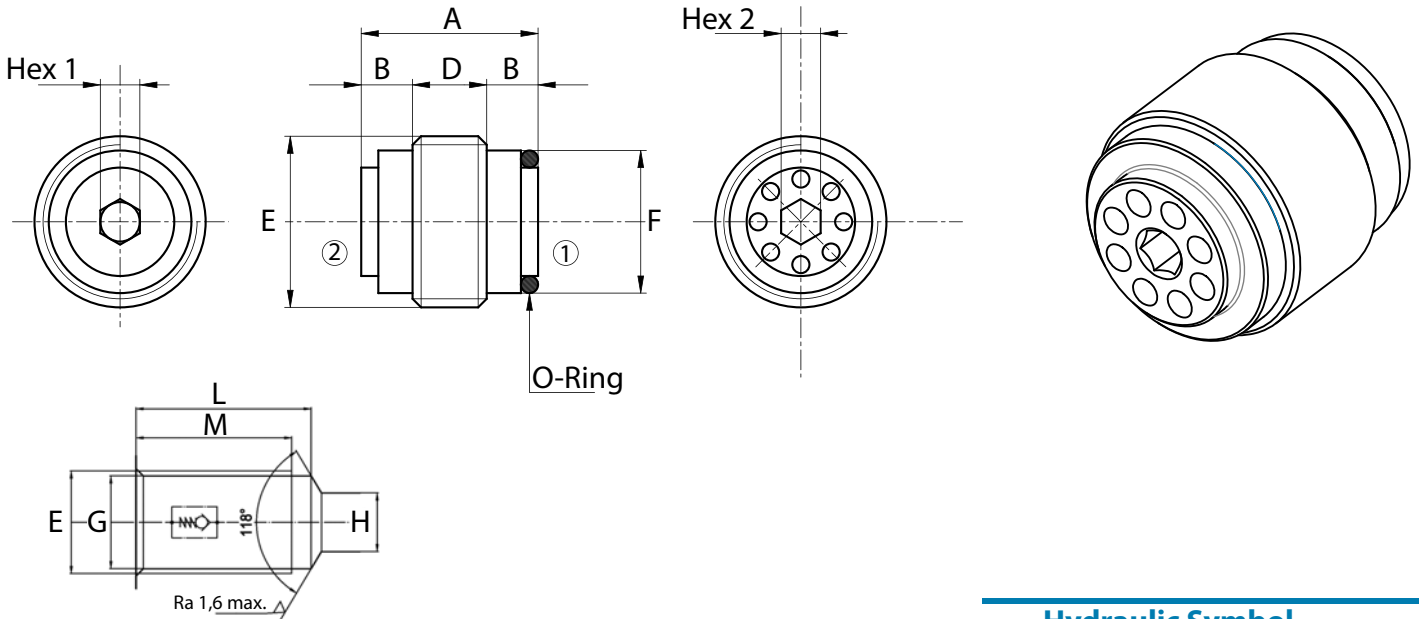
01	1/4
02	3/8
03	1/2
04	3/4
05	1
06	1 1/4
07	1 1/2

Spring (bar)

	0,5
4	4
8	8

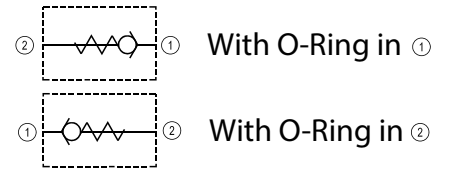
Ordering Code Example: CVL03 = 1/2 BSP - 0,5 bar Cracking pressure.

Dimensions

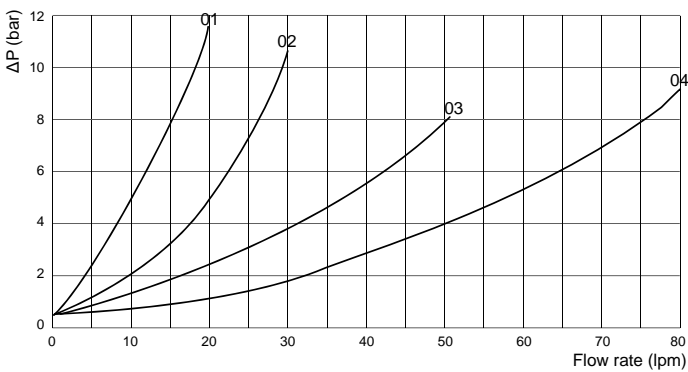


Size	A	B	D	E BSP	F	G	H max	L	M	Hex1	Hex2	O-Ring	Weight kg
01	17	5,5	6	1/4	11,3	11,8	8	29	26	3	3	1 x 9	0,01
02	18,5	5,5	7,5	3/8	14,8	15,2	9	30	27	4	3	1,78 x 10,82	0,02
03	23	7	9,5	1/2	18,5	19	12	36	32	6	5	1,78 x 14	0,04
04	28,5	7,5	14,5	3/4	24	24,5	16	43	39,5	8	8	2,62 x 18,72	0,07

Hydraulic Symbol



Curves



Features

Size	01	02	03	04
Max Pressure (bar)	350	350	350	350
Max Flow Rate (lpm)	20	30	50	80
Cracking Pressure (bar)	0,5	0,5	0,5	0,5
Tightening Torque (Nm)	6	10	20	30

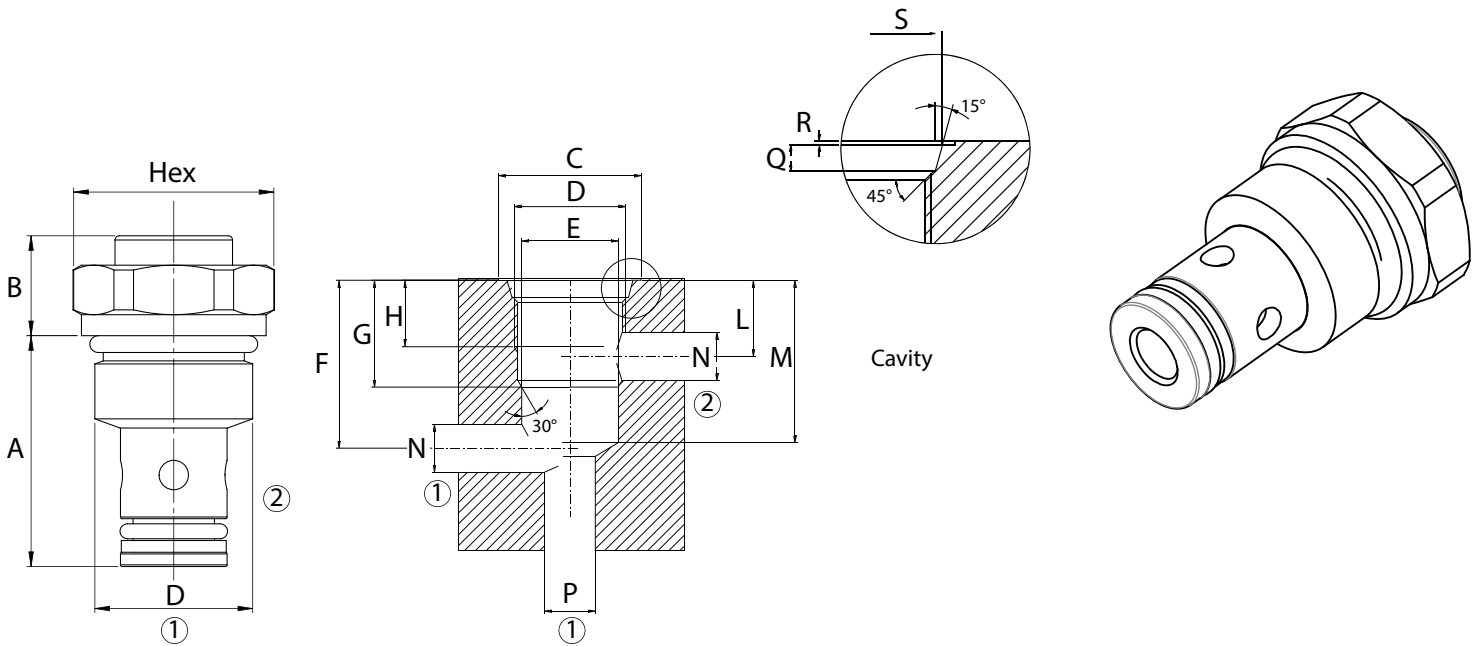
Materials: Steel cartridge.

Ordering Code

CVI	- -
	Size BSP
01	1/4
02	3/8
03	1/2
04	3/4

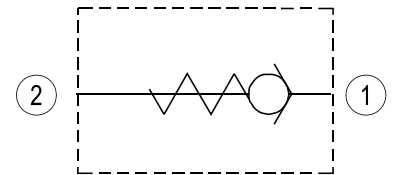
Ordering Code Example: CVI02 = 3/8 BSP.

Dimensions

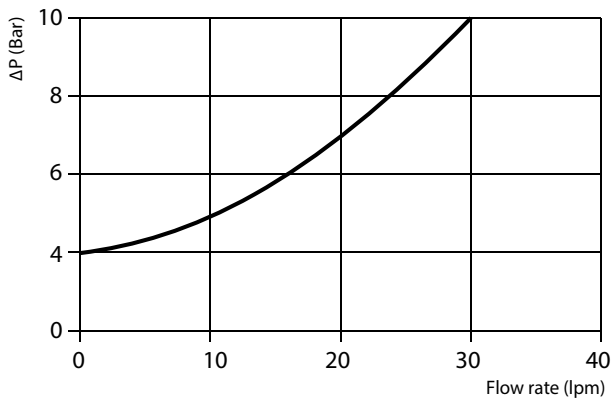


A	B	C	D	E H7	F	G	H	L	M	N max	P max	Q	R	S	Hex	Weight kg
27,5	12	28	3/4-16UNF	Ø12,7	31,5	19	13	13	29	9	11	2,5	0,5	20,7	22	0,055

Hydraulic Symbol



Curves



Features

Max Flow Rate	20 lpm
Max Pressure	350 bar
Cracking Pressure	4 bar
Tightening Torque	50-60 Nm

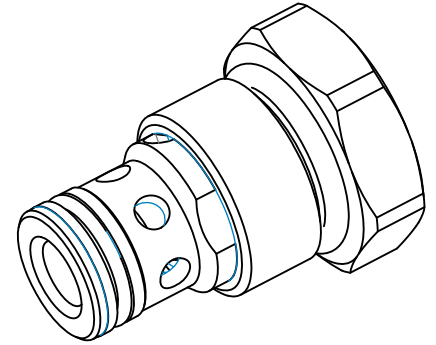
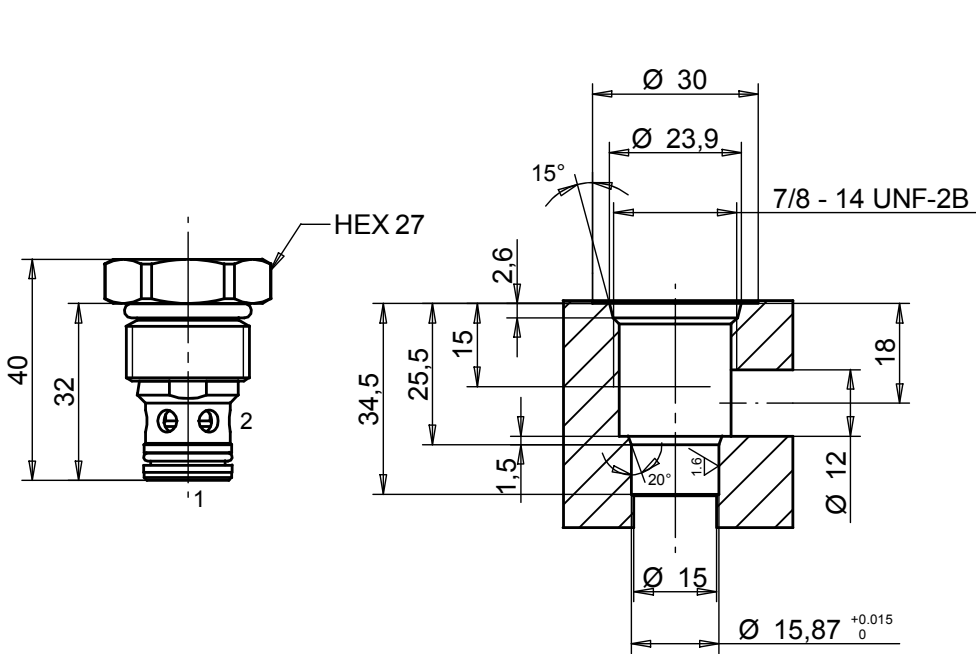
Materials: Zinc plated steel cartridge.

Ordering Code

CVC 20

Ordering Code Example: **CVC20.**

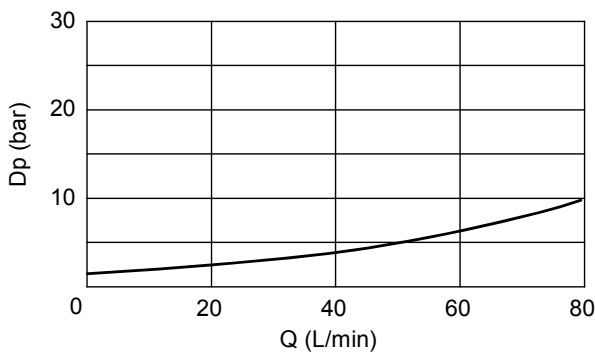
Dimensions



Hydraulic Symbol



Curves



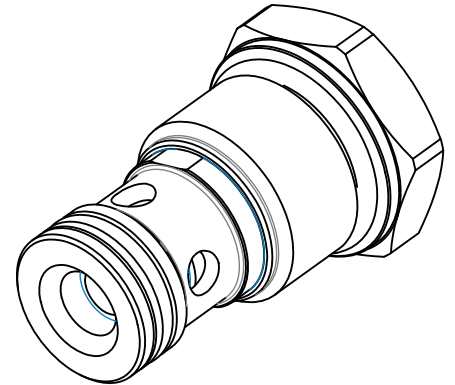
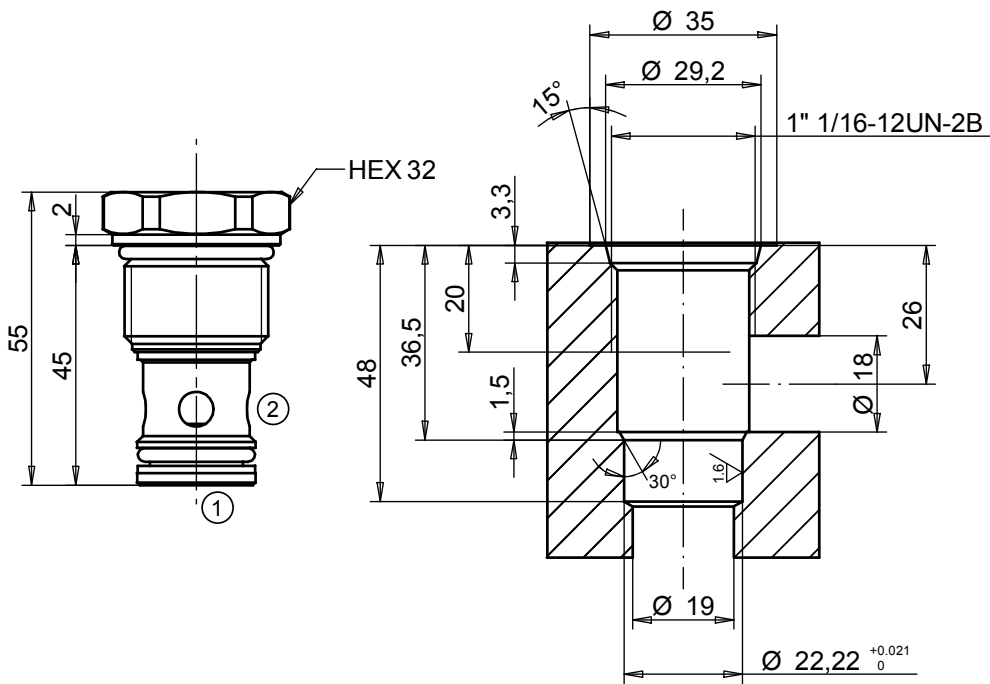
Features

Max Flow	80 lpm
Max Pressure	350 bar
Cracking Pressure	1,5 bar
Installation Torque	40-45 Nm

Ordering Code

CVC 80

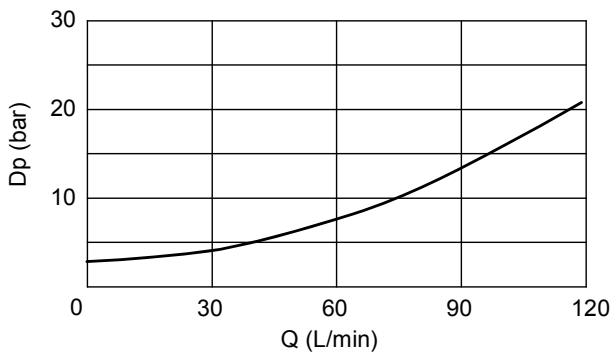
Dimensions



Hydraulic Symbol



Curves



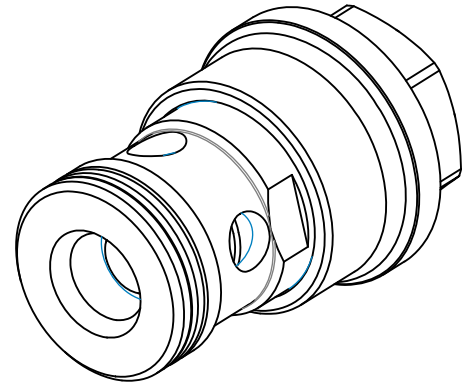
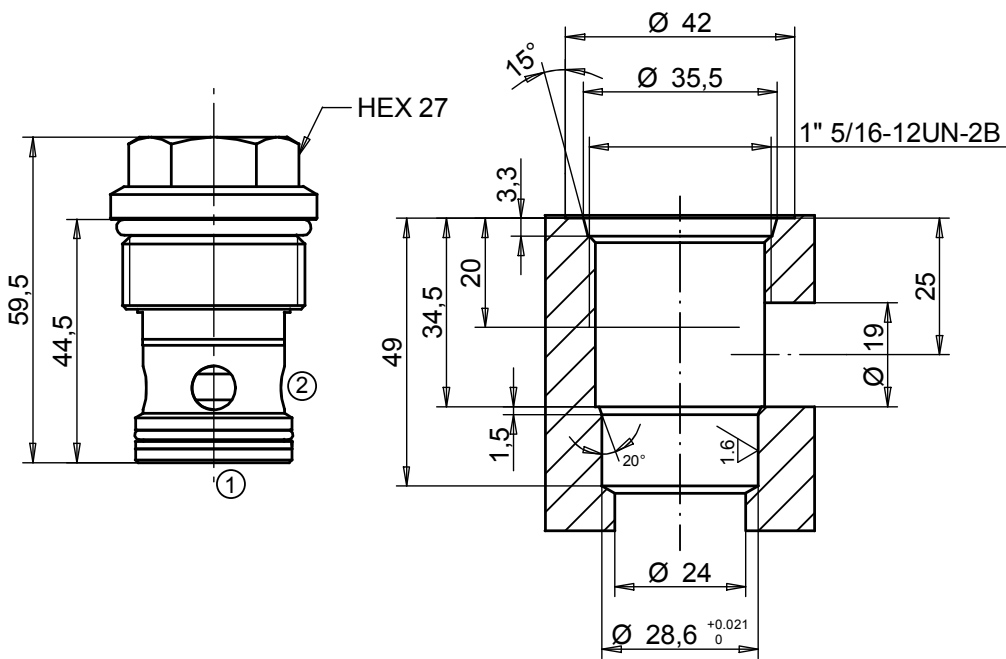
Features

Max Flow	120 lpm
Max Pressure	350 bar
Cracking Pressure	3,5 bar
Installation Torque	80-95 Nm

Ordering Code

CVC 120

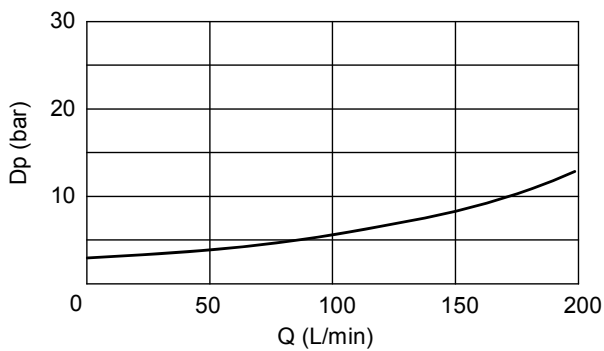
Dimensions



Hydraulic Symbol



Curves



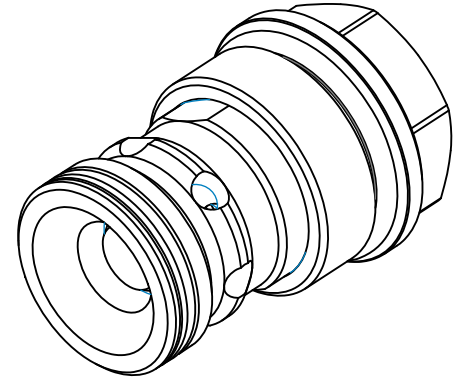
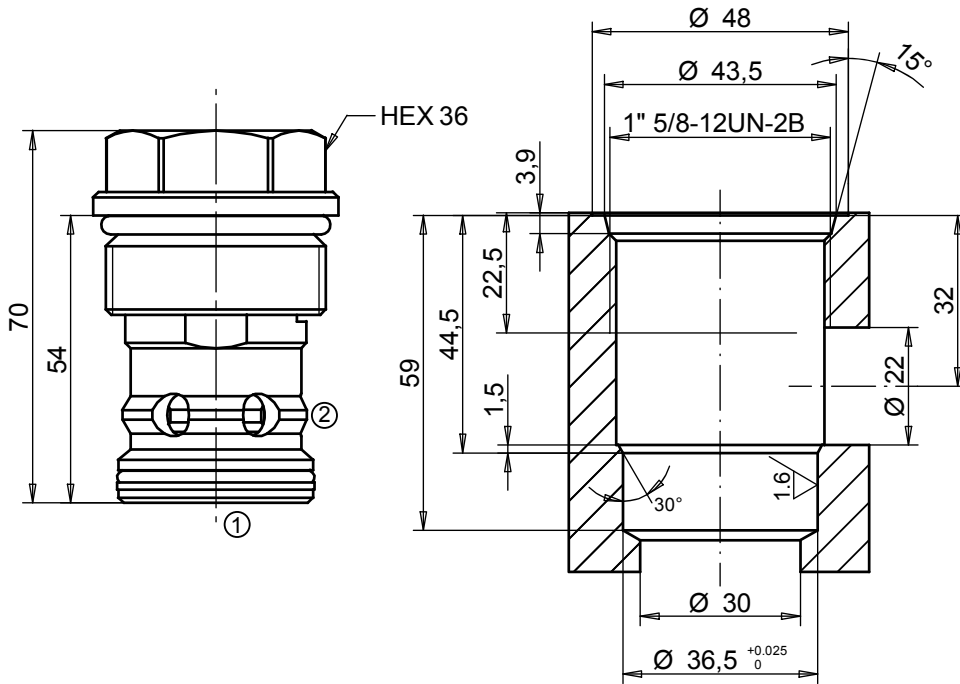
Features

Max Flow	200 lpm
Max Pressure	350 bar
Cracking Pressure	3,5 bar
Installation Torque	105-120 Nm

Ordering Code

CVC 200

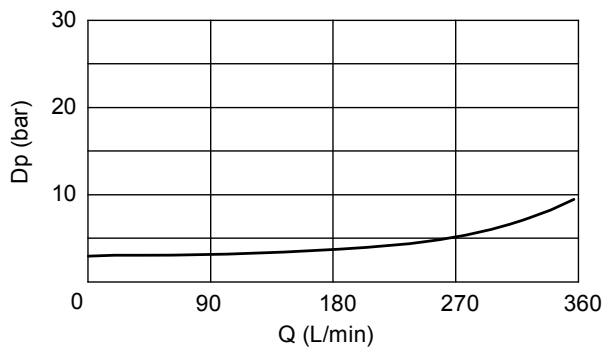
Dimensions



Hydraulic Symbol



Curves



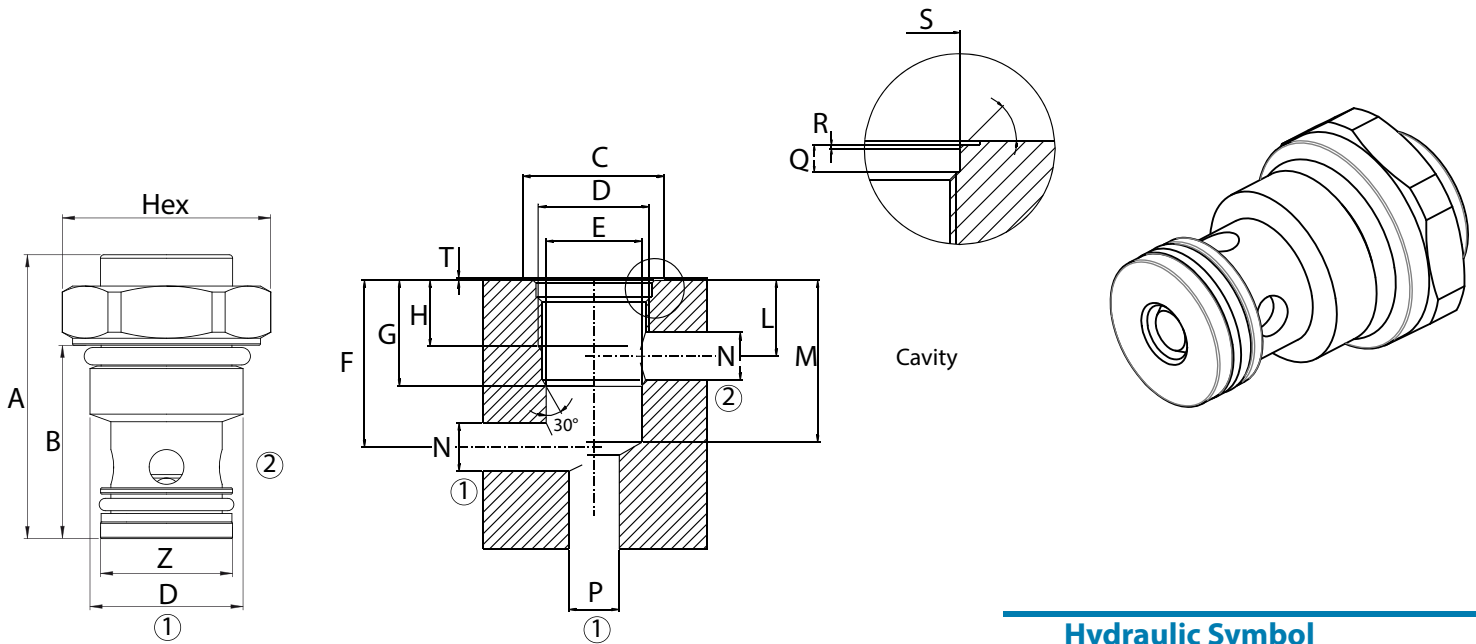
Features

Max Flow	360 lpm
Max Pressure	350 bar
Cracking Pressure	3,5 bar
Installation Torque	125-145 Nm

Ordering Code

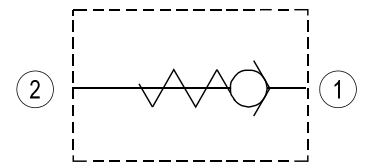
CVC 360

Dimensions

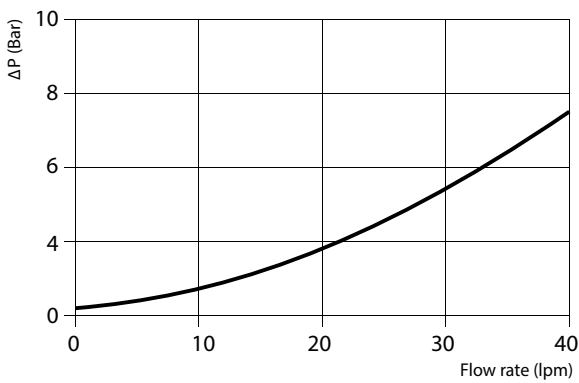


A	B	C	D	E H7	F	G	H	L	M	N max	P max	Q	R	S	T	Z	Hex	Weight kg
34,5	28	28	M22x1,5	Ø19	33	21	13	15	32	9,5	18	3,3	0,5	20,7	0,5	19	27	0,075

Hydraulic Symbol



Curves



Features

Max Flow Rate	40 lpm
Max Pressure	350 bar
Cracking Pressure	0,5 bar
Tightening Torque	50-60 Nm

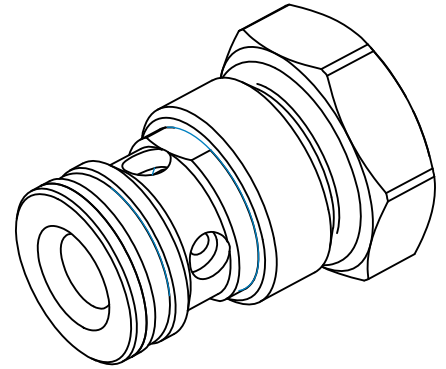
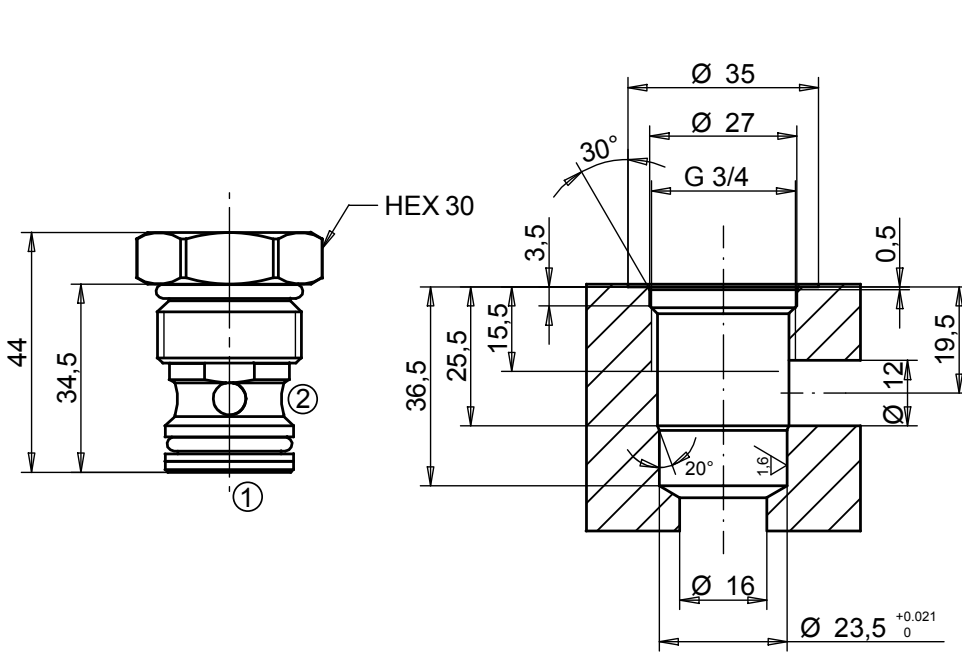
Materials: Zinc plated steel cartridge, hardened steel poppet.

Ordering Code

CVC40

Ordering Code Example: **CVC40.**

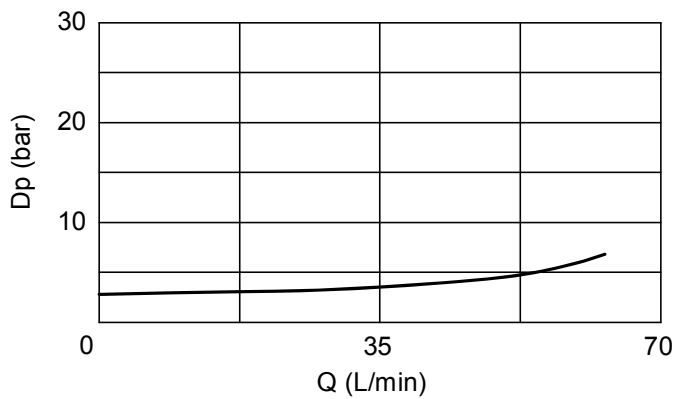
Dimensions



Hydraulic Symbol



Curves



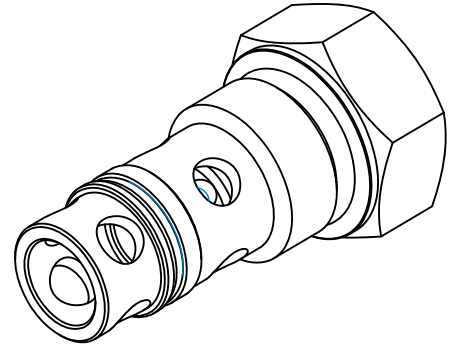
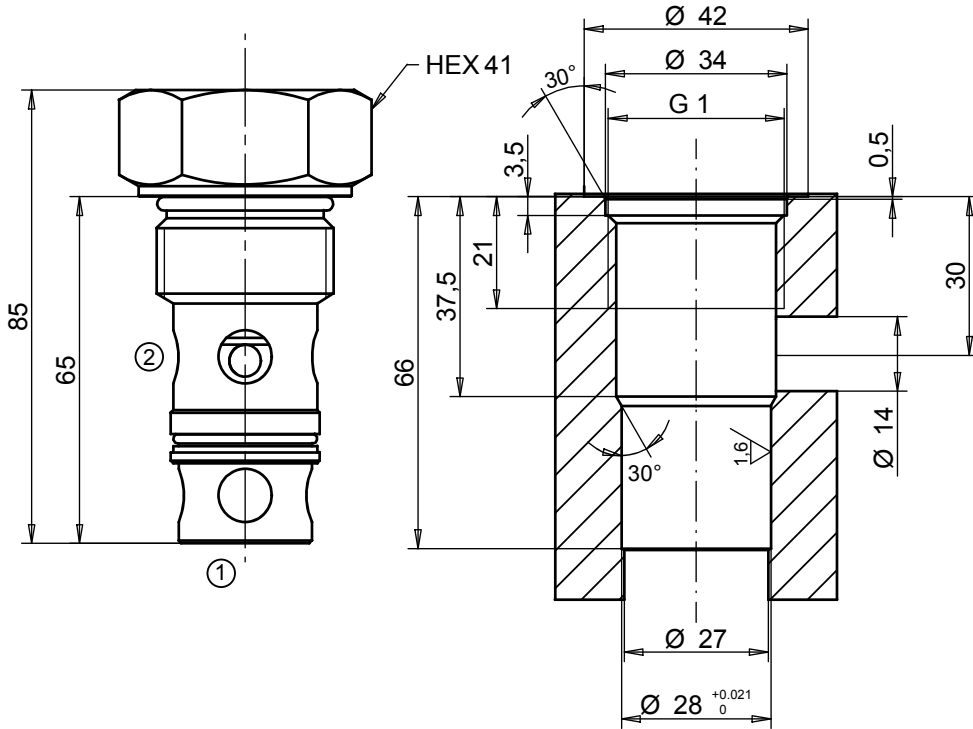
Features

Max Flow	65 lpm
Max Pressure	350 bar
Cracking Pressure	3 bar
Installation Torque	80-100 Nm

Ordering Code

CVC 03

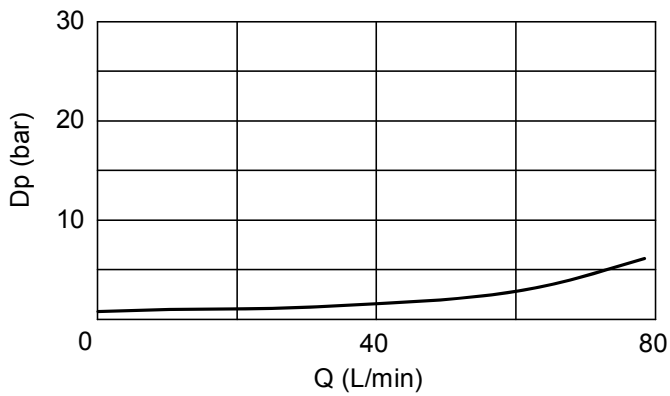
Dimensions



Hydraulic Symbol



Curves



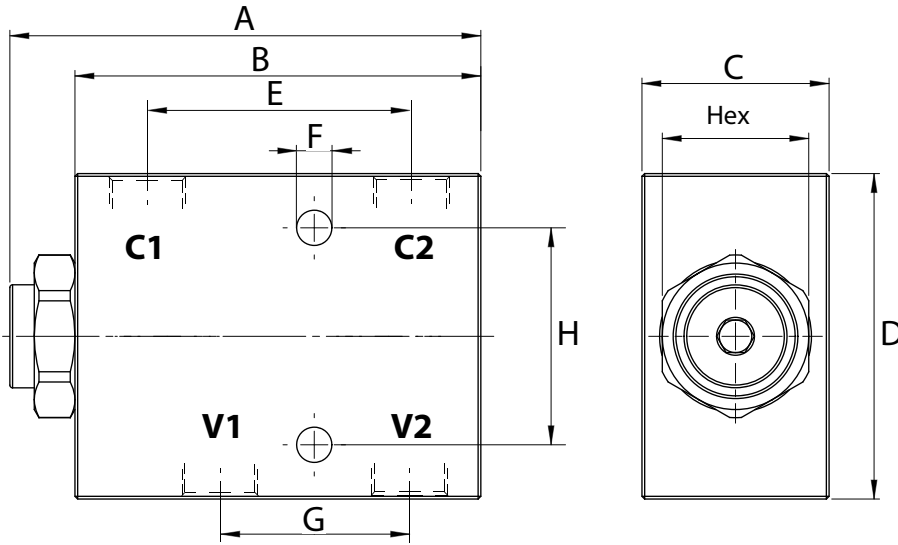
Features

Max Flow	80 lpm
Max Pressure	350 bar
Cracking Pressure	1 bar
Installation Torque	110-125 Nm

Ordering Code

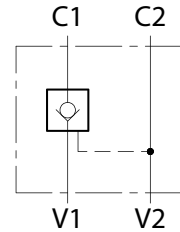
CVC 04

Dimensions

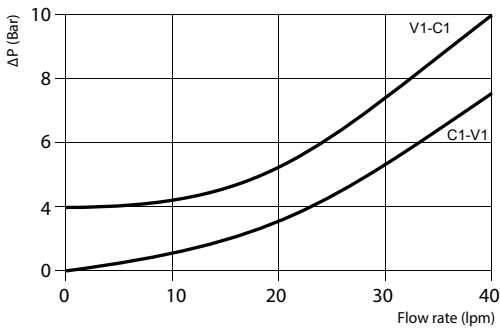


Size	C1-C2 V1-V2 BSP	A	B	C	D	E	F	G	H	Hex	Weight kg
02	3/8	95	83	35	60	49	6,5	32	40	27	0,52
25	1/2	95	83	35	60	49	6,5	32	40	27	0,48

Hydraulic Symbol



Curves



Features

Size	02	25
Max Pressure (bar)	260	260
Max Flow (lpm)	35	35
Pilot Ratio	1:7	1:7
Cracking Pressure (bar)	4	4

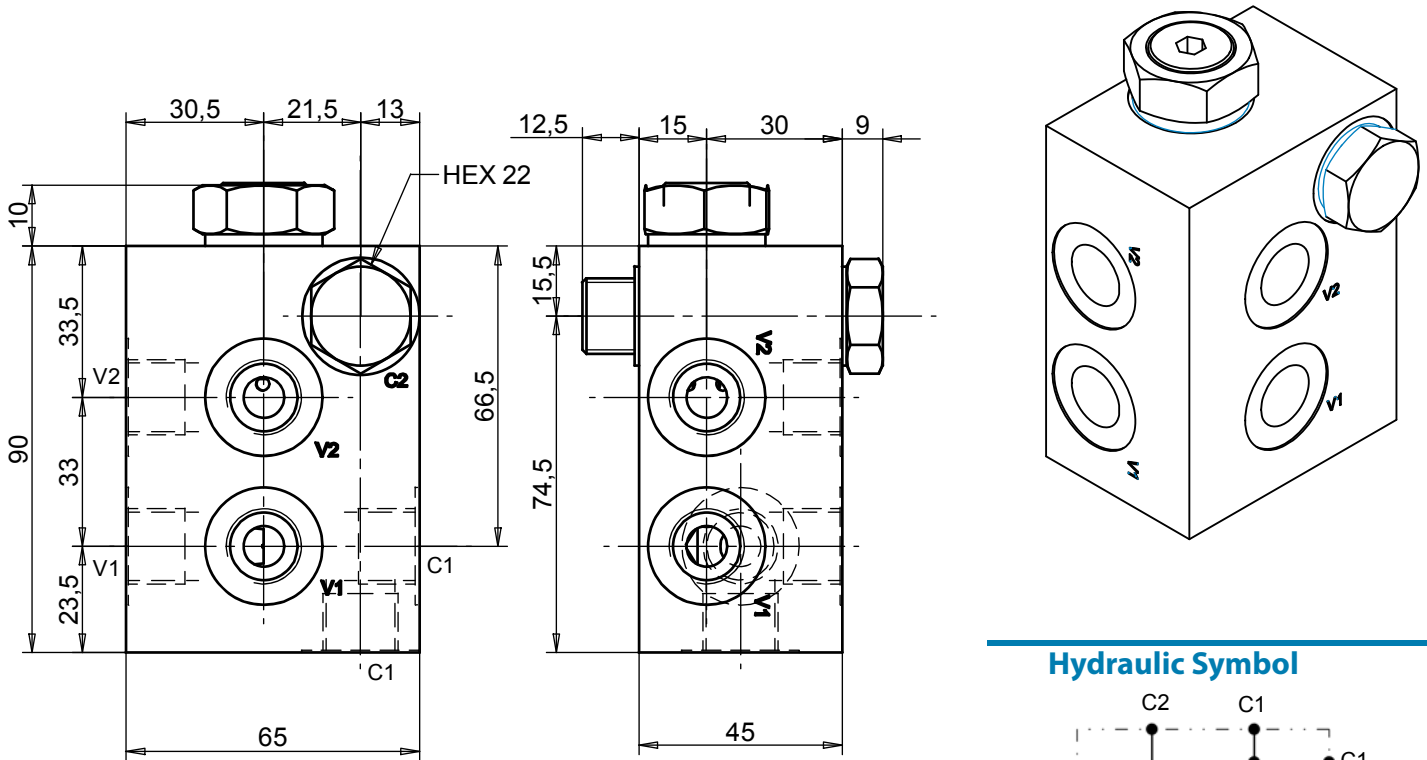
Materials: Aluminium manifold, hardened steel inner parts.

Ordering Code

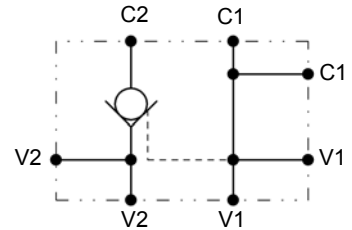
LVSL	--
	Size BSP
02	3/8
25	1/2

Ordering Code Example: LVSL02 = 3/8 BSP, 35 lpm.

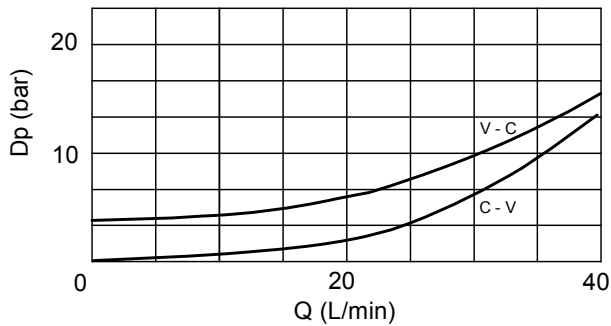
Dimensions



Hydraulic Symbol



Curves



Features

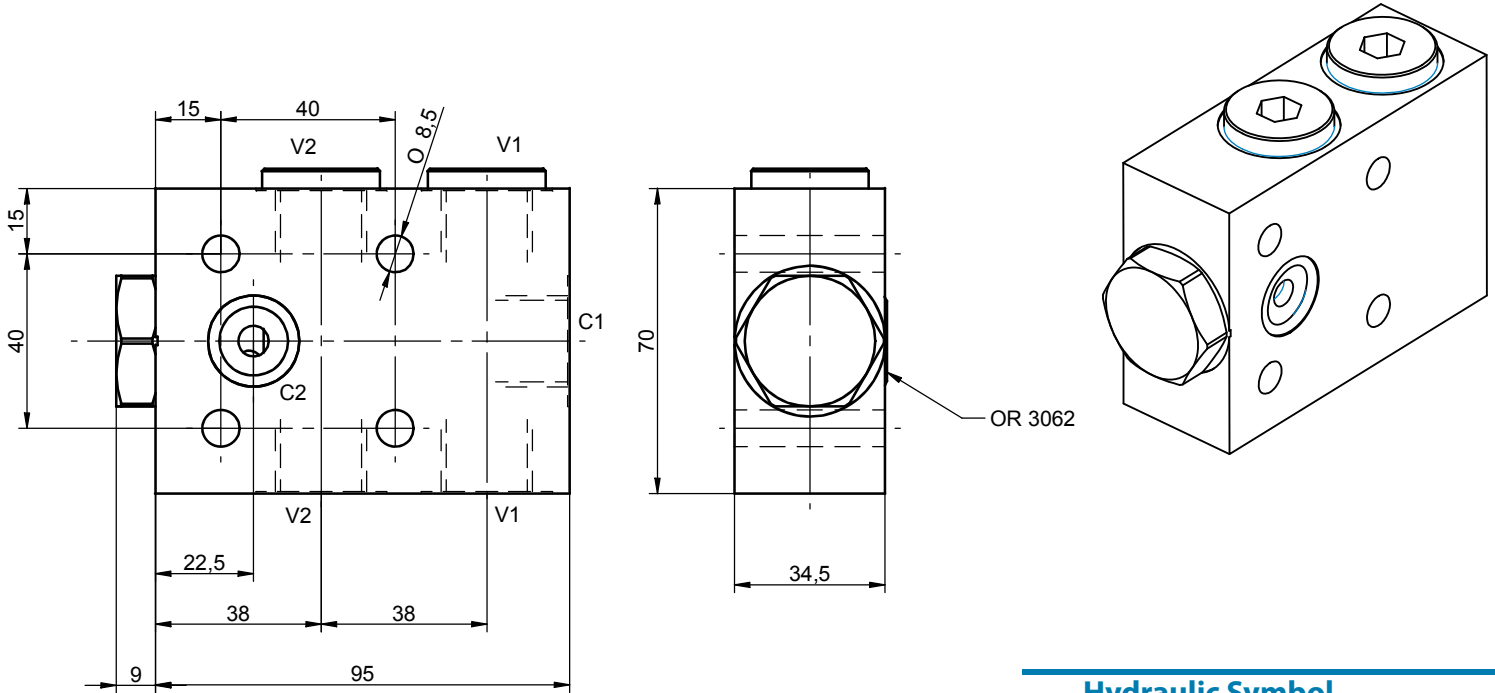
Max Pressure (bar)	350
Max Flow (lpm)	40
Pilot Ratio	3,4:1
Cracking Pressure (bar)	4
Ports	3/8 bsp

Materials: Zinc plated steel cartridge, hardened steel inner parts.
Aluminium manifold.

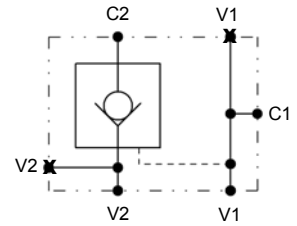
Ordering Code

LVPCF

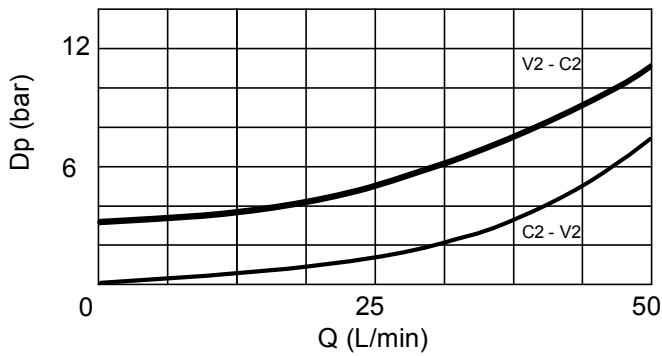
Dimensions



Hydraulic Symbol



Curves



Features

Size	03
Max Pressure (bar)	350
Max Flow	50
Ports Size (v1,v2,c1) (BSP)	1/2
Cracking Pressure (bar)	3
Pilot Ratio	3,2:1

Materials: Aluminium manifold, hardened steel inner parts.

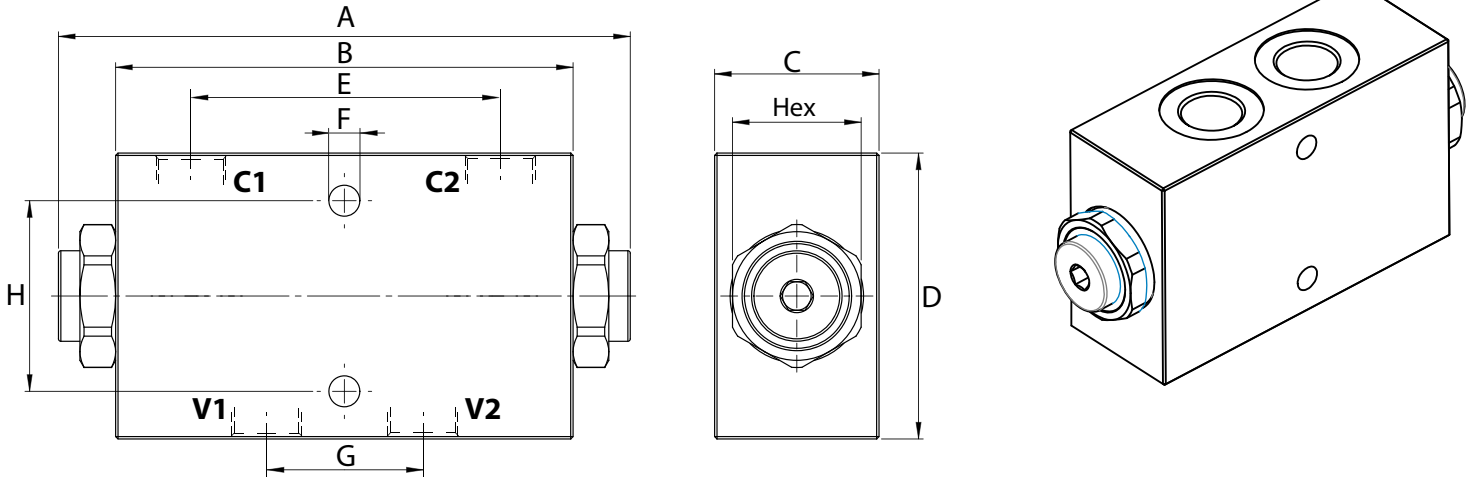
Ordering Code

LVSFLR03 -

	Spring (bar)
	3
8	8

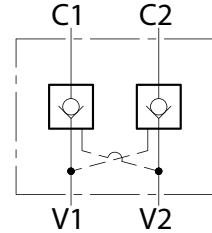
Ordering Code Example: LVDFV15 = 3/8 BSP, 20 lpm.

Dimensions



Size	C1-C2 V1-V2 BSP	A	B	C	D	E	F	G	H	Hex	Weight kg
01	1/4	113	90	30	50	62	6,5	32	40	22	0,79
15	3/8	113	90	30	50	62	6,5	32	40	22	0,76
02	3/8	113	96	35	60	62	6,5	32	40	27	0,62
25	1/2	113	96	35	60	62	6,5	32	40	27	0,60
03	1/2	140	110	35	70	69	8,5	34	40	30	0,89
04	3/4	220	165	50	90	105	8,5	50	60	41	2,550

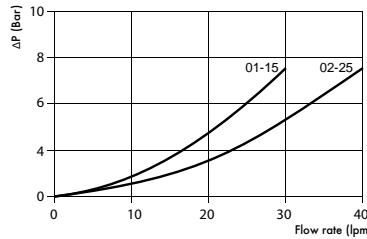
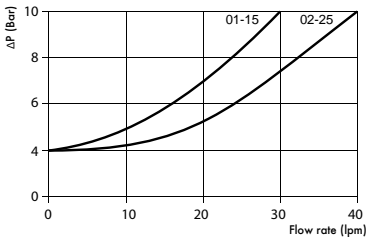
Hydraulic Symbol



Curves

V1 → C1
V2 → C2

C1 → V1
C2 → V2



Features

Size	01	15	02	25	03	04
Max Pressure (bar)	260	260	260	260	260	260
Max Flow (lpm)	20	20	35	35	60	100
Pilot Ratio	1:4	1:4	1:7	1:7	1:3,4	1:4
Cracking Pressure (bar)	4	4	4	4	3	8

Materials: Aluminium manifold, hardened steel inner parts.

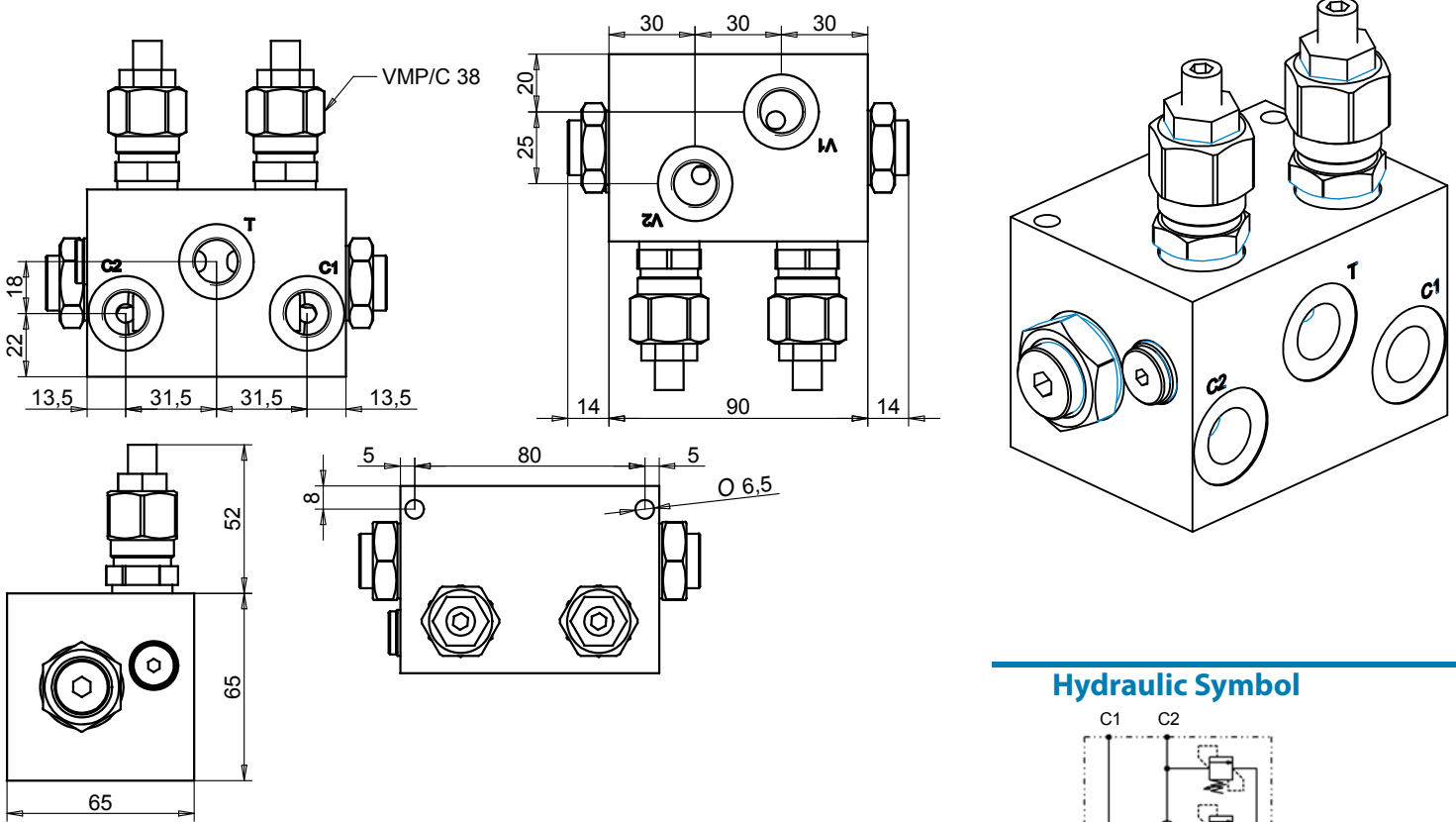
Ordering Code

LVDL --

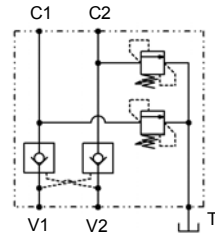
	Size BSP
01	1/4
15	3/8
02	3/8
25	1/2
03	1/2
04	3/4

Ordering Code Example: LVDL15 = 3/8 BSP, 20 lpm.

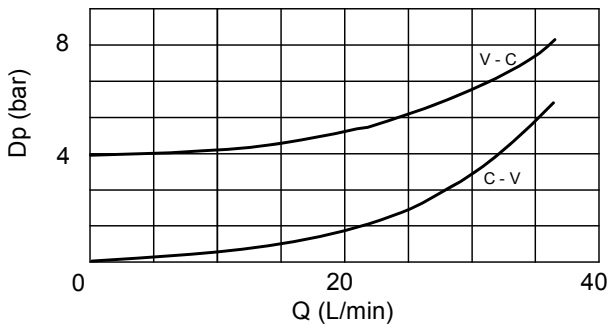
Dimensions



Hydraulic Symbol



Curves



Materials: Aluminium

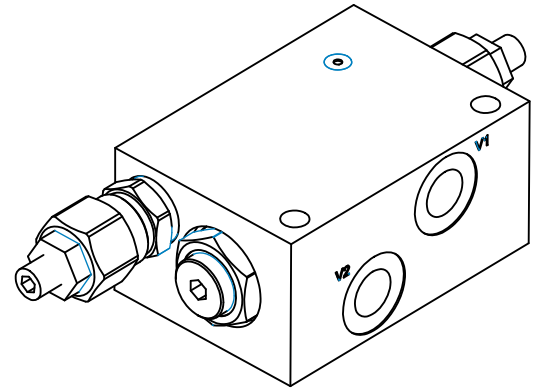
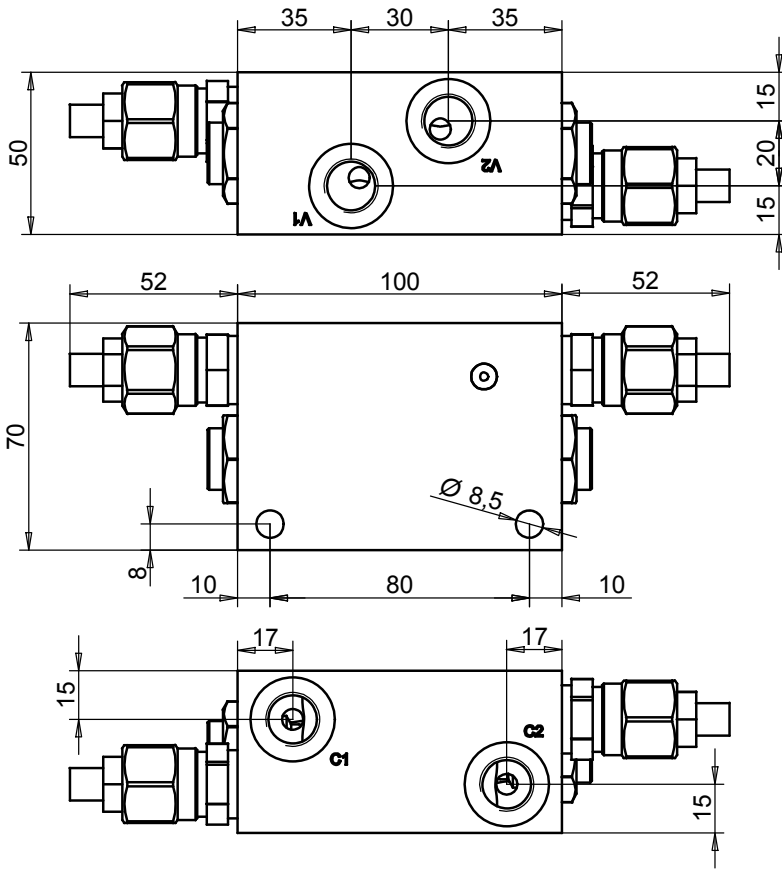
Features

Size	02
Max Pressure (bar)	250
Max Flow (lpm)	35
Pilot Ratio	7.1:1
Cracking Pressure (bar)	3
Ports	V1-V2: G 3/8 C1-C2: G 3/8

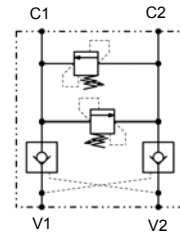
Ordering Code

LVDLPT 02

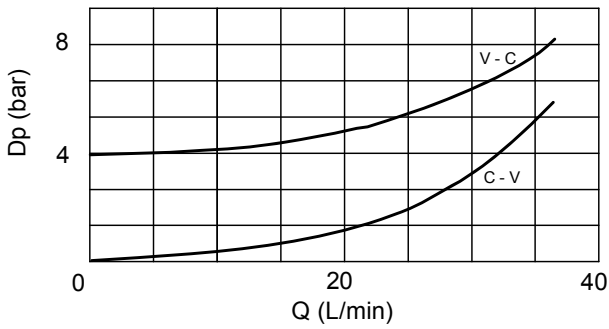
Dimensions



Hydraulic Symbol



Curves



Materials: Zinc plated steel body.

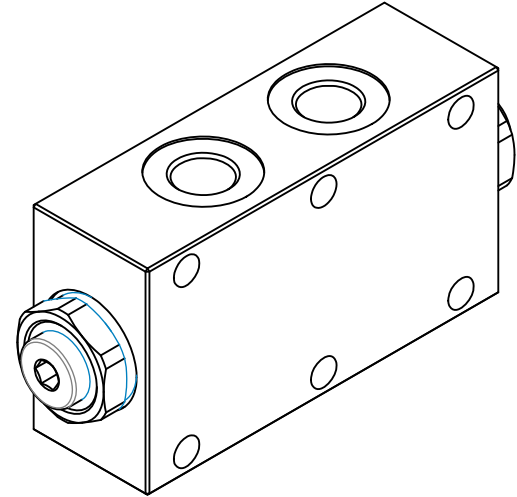
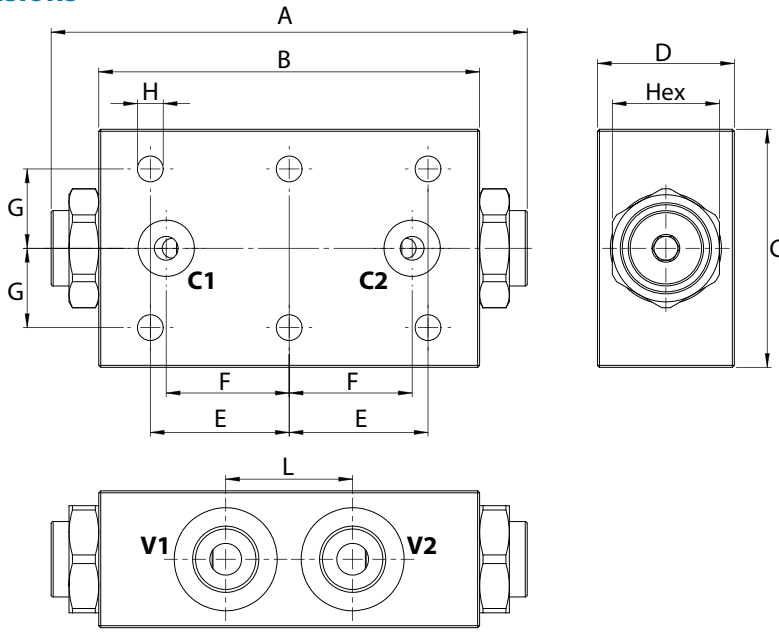
Features

Size	02
Max Pressure (bar)	250
Max Flow (lpm)	40
Pilot Ratio	7.1:1
Cracking Pressure (bar)	3
Ports	V1-V2: G 3/8 C1-C2: G 3/8

Ordering Code

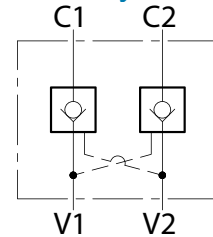
LVDLP 02

Dimensions



Size	V1-V2 BSP	A	B	C	C1-C2	D	E	F	G	H	L	Hex	Weight kg
01	1/4	113	90	50	Ø 5	30	35	26	20	6,5	32	22	0,43
15	3/8	113	90	50	Ø 5	30	35	26	20	6,5	32	22	0,43
02	3/8	113	96	60	Ø 6	35	35	31	20	6,5	32	27	0,60
25	1/2	113	96	60	Ø 6	35	35	31	20	6,5	32	27	0,60
03	1/2	140	110	70	Ø 10	35	40	32,5	20	8,5	34	30	0,89
04	3/4	220	165	90	Ø 14	50	67,5	52,5	25	10,5	50	41	2,50

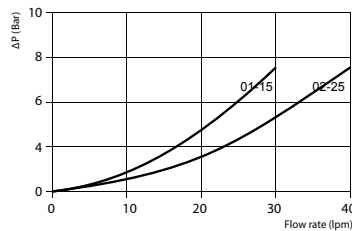
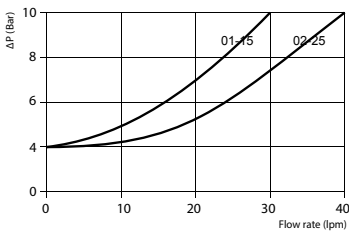
Hydraulic Symbol



Curves

V1 → C1
V2 → C2

C1 → V1
C2 → V2



Features

Size	01	15	02	25	03	04
Max Pressure (bar)	260	260	260	260	260	260
Max Flow (lpm)	20	20	35	35	60	100
Pilot Ratio	1:4	1:4	1:7	1:7	1:3,4	1:4
Cracking Pressure (bar)	4	4	4	4	3	8

Materials: Aluminium manifold, hardened steel inner parts.

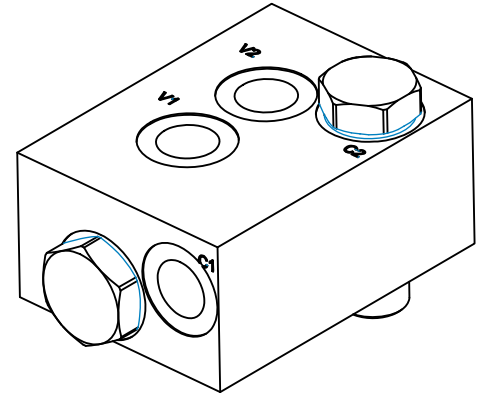
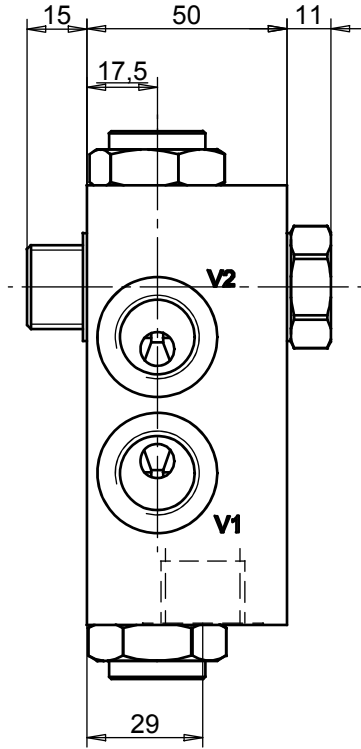
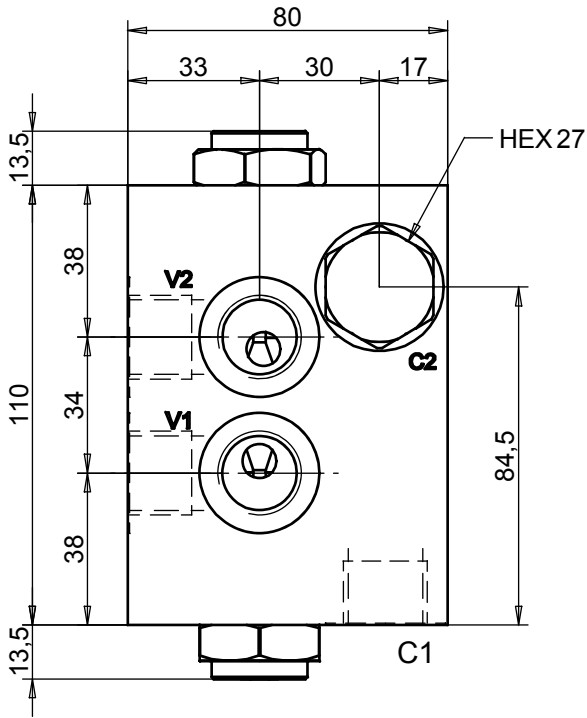
Ordering Code

LVDF --

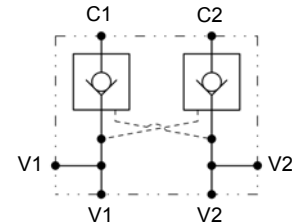
	Size BSP
01	1/4
15	3/8
02	3/8
25	1/2
03	1/2
04	3/4

Ordering Code Example: LVDFV15 = 3/8 BSP, 20 lpm.

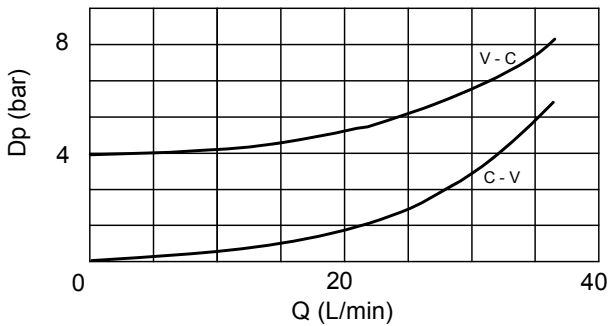
Dimensions



Hydraulic Symbol



Curves



Materials: Zinc plated steel cartridge, hardened steel inner parts.
Aluminium manifold.

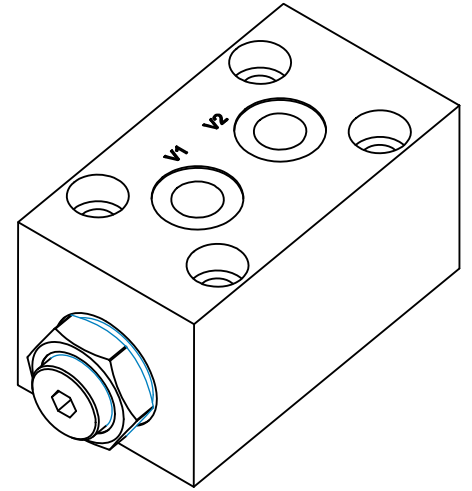
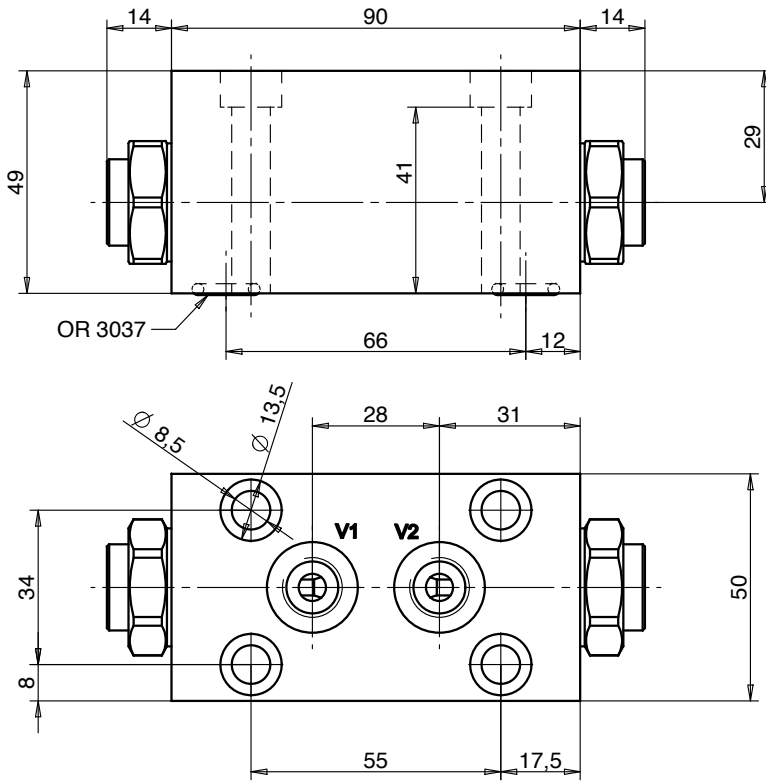
Features

Size	03
Max Pressure (bar)	350
Max Flow (lpm)	40
Pilot Ratio	4:1
Cracking Pressure (bar)	3
Ports	V1-V2-C1: 1/2 bsp C2: 1/2 bsp

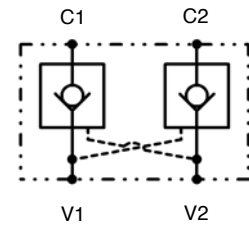
Ordering Code

LVDFLN 03

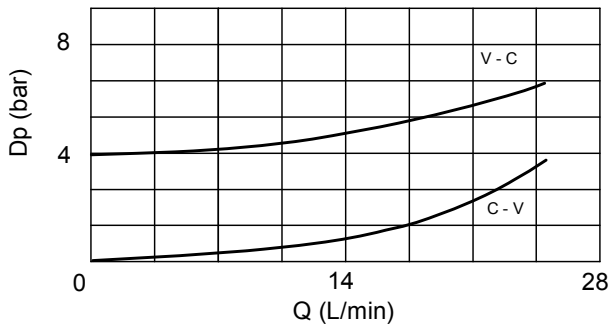
Dimensions



Hydraulic Symbol



Curves



Materials: Aluminium

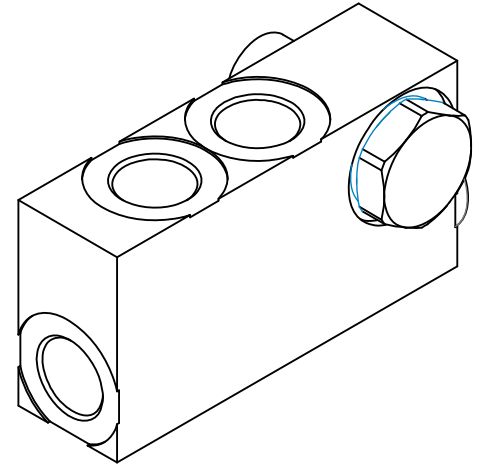
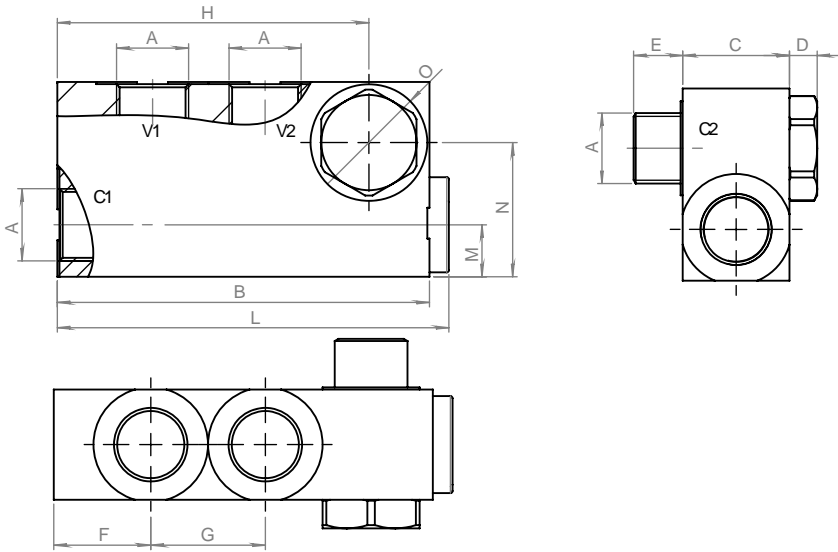
Features

Size	01
Max Pressure (bar)	250
Max Flow (lpm)	25
Pilot Ratio	4.7:1
Cracking Pressure (bar)	3
Ports	V1-V2: G 1/4 C1 - C2: $\phi 6$

Ordering Code

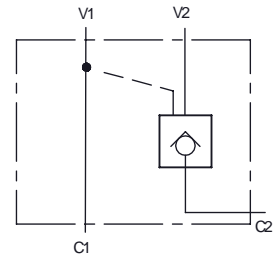
LVDFP 01

Dimensions

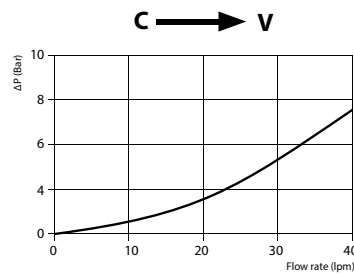
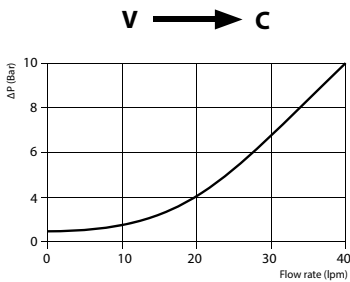


Ordering code	A (BSP)	Max Flow (l/min)	Max Pressure (bar)	B	C	D	E	F	G	H	L	M	N	O
LVSLFB02	3/8"	20	300	86	25	7	11	22	26	72	90.5	12	31	27

Hydraulic Symbol



Curves



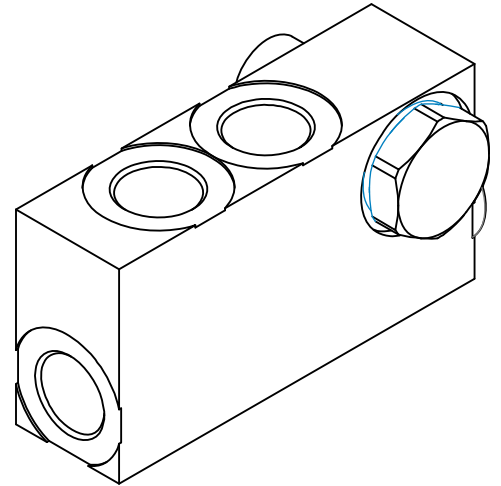
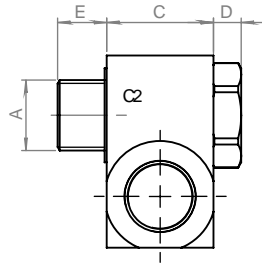
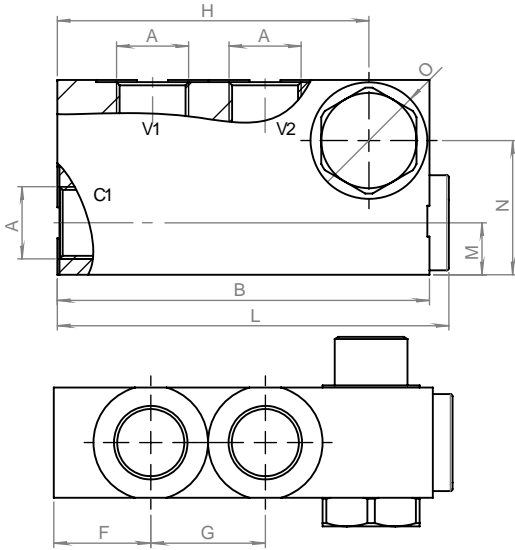
Features

Size	02
Max Pressure (bar)	300
Max Flow (lpm)	20
Pilot Ratio	1:4,9
Cracking Pressure (bar)	1

Ordering Code

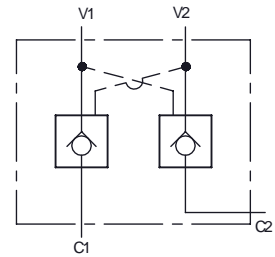
LVSLFB		--
		Size BSP
02		3/8

Dimensions

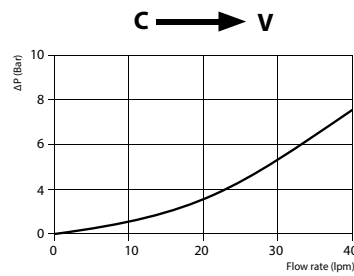
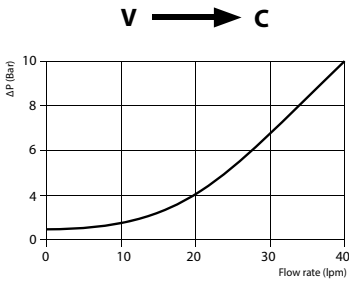


Ordering code	A (BSP)	Max Flow (l/min)	Max Pressure (bar)	B	C	D	E	F	G	H	L	M	N	O
LVDLFB02	3/8"	20	300	86	25	7	11	22	26	72	90.5	12	31	27

Hydraulic Symbol



Curves



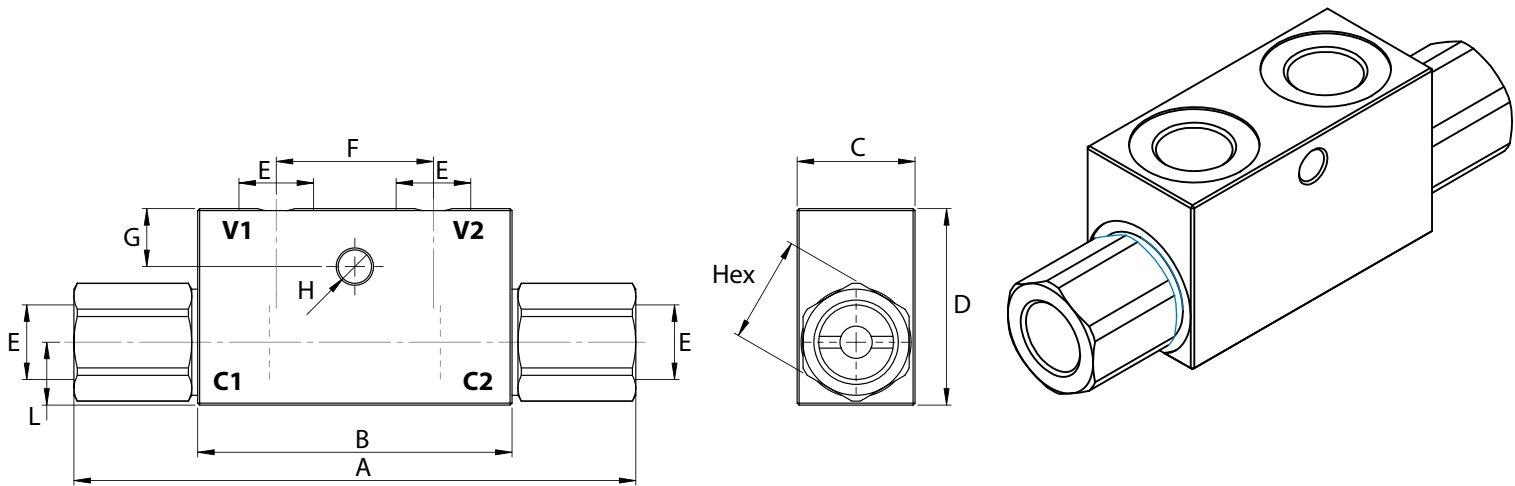
Features

Size	02
Max Pressure (bar)	300
Max Flow (lpm)	20
Pilot Ratio	1:4,9
Cracking Pressure (bar)	1

Ordering Code

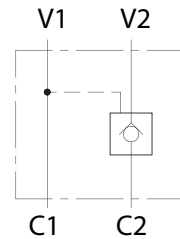
LVDLFB		--
		Size BSP
02		3/8

Dimensions

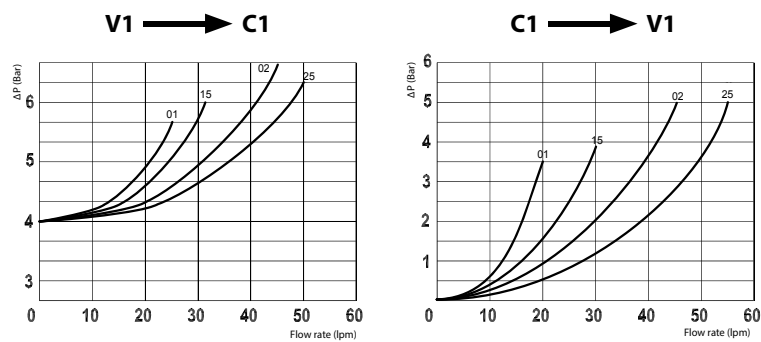


Size	A	B	C	D	E BSP	F	G	H	L	Hex	Weight kg
01	117	68	30	40	1/4	38	7	7	13	24	0,67
15	117	68	30	40	3/8	38	7	7	13	24	0,63
02	143	80	30	50	3/8	40	15	8,5	16	27	0,96
25	143	80	30	50	1/2	40	15	8,5	16	27	0,89

Hydraulic Symbol



Curves



Features

Size	01	15	02	25
Max Pressure (bar)	350	350	300	300
Max Flow (lpm)	25	30	45	50
Pilot Ratio	1:4.6	1:4.6	1:4	1:4
Cracking Pressure (bar)	4	4	4	4

Materials: Zinc plated steel body, hardened steel inner parts.

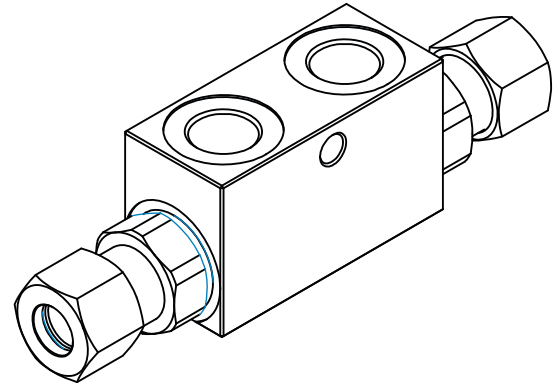
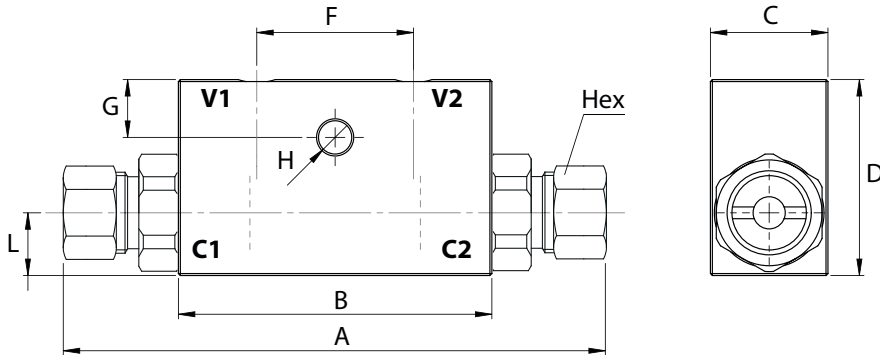
Ordering Code

LVST --

	Size BSP
01	1/4
15	3/8
02	3/8
25	1/2

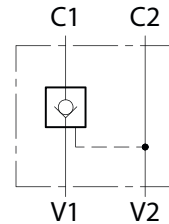
Ordering Code Example: LVST15 = 3/8 BSP, 30 lpm.

Dimensions

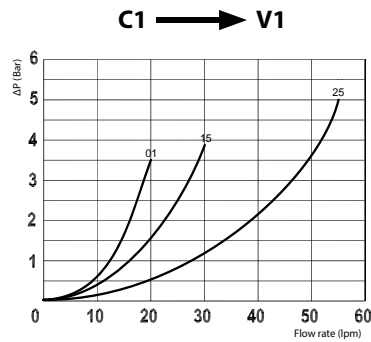
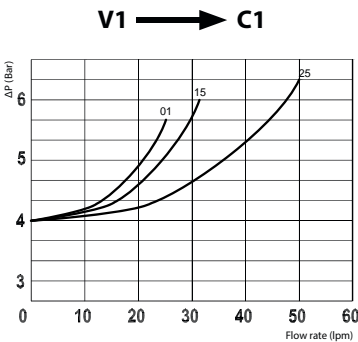


Size	A	B	C	D	V1-V2 BSP	C1-C2	F	G	H	L	Hex	Weight kg
01	138	68	30	40	1/4	12	38	7	7	13	22	0,65
15	138	68	30	40	3/8	12	38	7	7	13	22	0,62
25	166	80	30	50	1/2	15	40	15	8,5	16	27	0,90

Hydraulic Symbol



Curves



Features

Size	01	15	25
Max Pressure (bar)	350	350	300
Max Flow (lpm)	25	30	50
Pilot Ratio	1:4.6	1:4.6	1:4
Cracking Pressure (bar)	4	4	4

Materials: Zinc plated steel body, hardened steel inner parts.

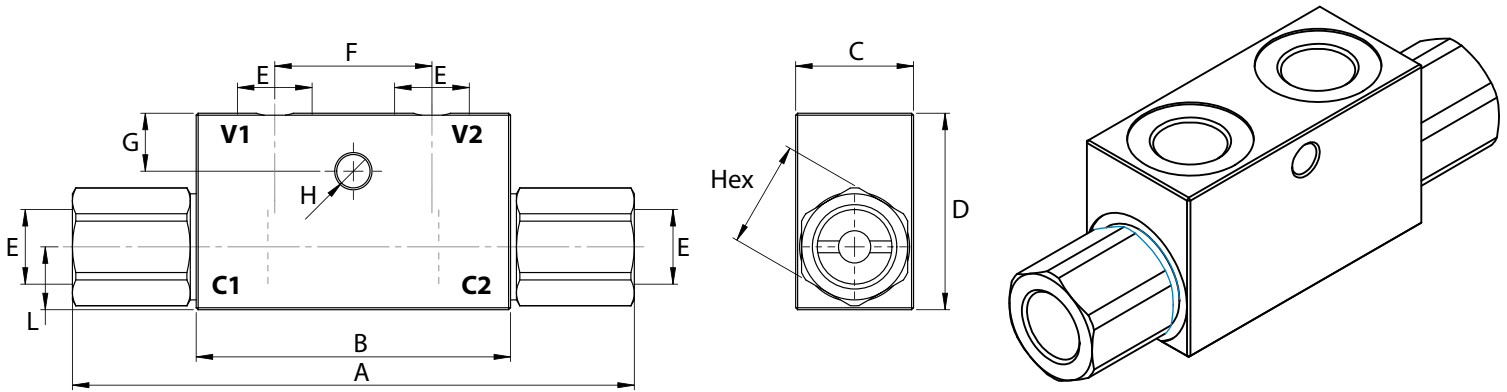
Ordering Code

LVST-DIN - -

	Size BSP
01	1/4
15	3/8
25	1/2

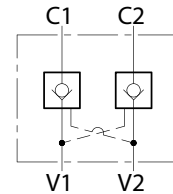
Ordering Code Example: LVST-DIN15 = 3/8 BSP - DIN2353 12l ported, 30 lpm.

Dimensions

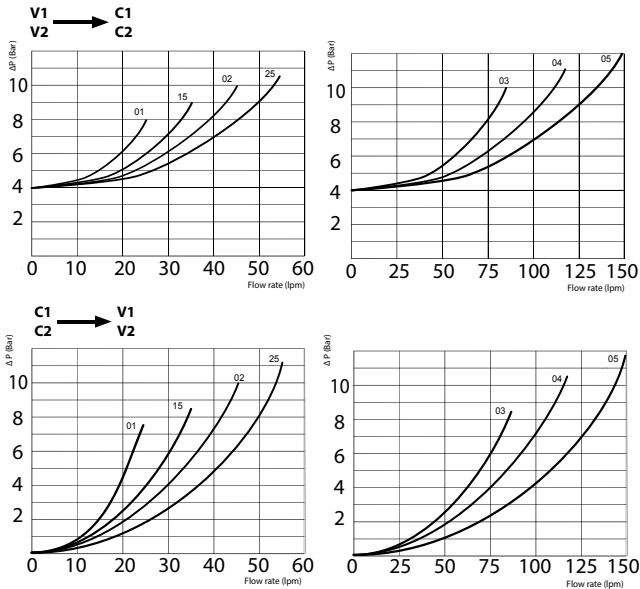


Size	A	B	C	D	E BSP	F	G	H	L	Hex	Weight kg
01	117	68	30	40	1/4	38	7	7	13	24	0,67
15	117	68	30	40	3/8	38	7	7	13	24	0,63
02	143	80	30	50	3/8	40	15	8,5	16	27	0,96
25	143	80	30	50	1/2	40	15	8,5	16	27	0,89
03	144	80	35	50	1/2	36	15	6,5	16	27	1,07
04	192	100	40	60	3/4	50	15	8,5	22	36	1,90
05	232	112	50	70	1	58	17	8,5	25	42	3,10

Hydraulic Symbol



Curves



Features

Size	01	15	02	25	03	04	05
Max Pressure (bar)	350	350	300	300	300	300	300
Max Flow (lpm)	25	30	45	50	80	120	150
Pilot Ratio	1:4,6	1:4,6	1:4	1:4	1:4	1:3,5	1:3,4
Cracking Pressure (bar)	4	4	4	4	4	4	4

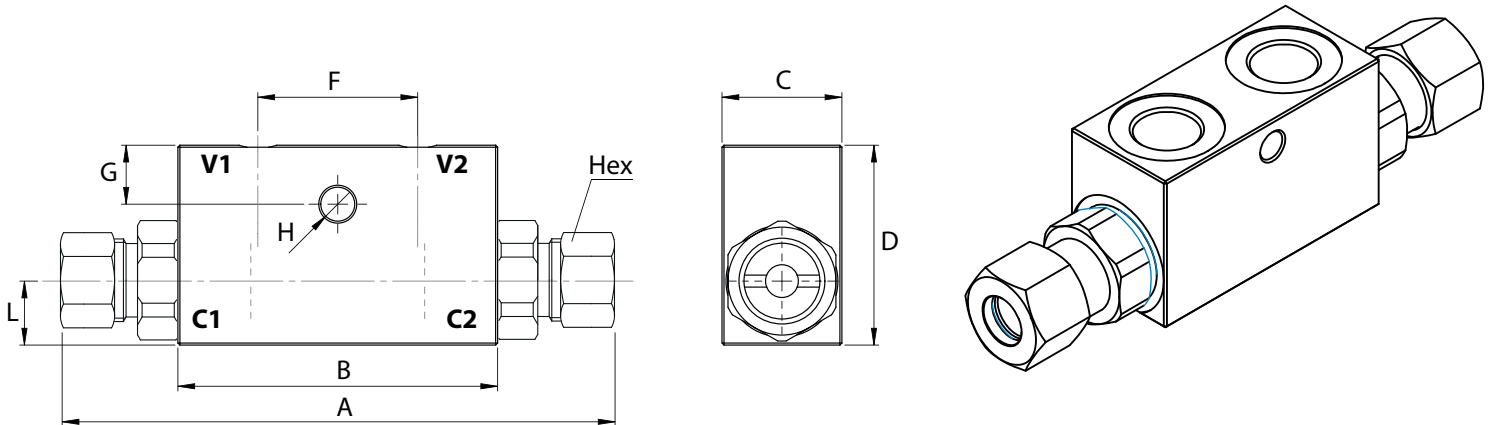
Materials: Zinc plated steel body, hardened steel inner parts.

Ordering Code

LVDT	--
	Size BSP
01	1/4
15	3/8
02	3/8
25	1/2
03	1/2
04	3/4
05	1

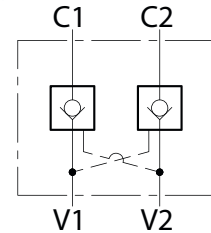
Ordering Code Example: LVDT15 = 3/8 BSP, 30 lpm.

Dimensions

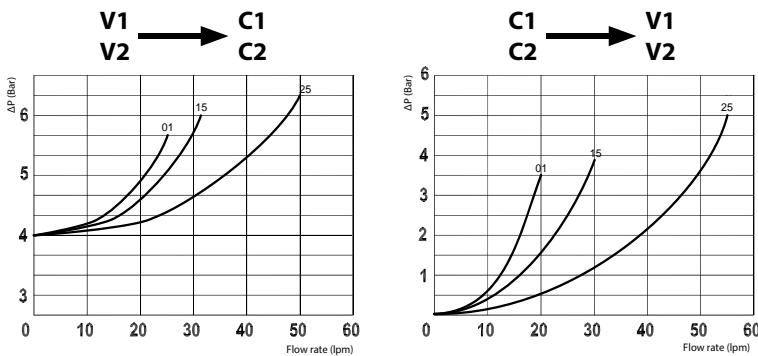


Size	A	B	C	D	V1-V2 BSP	C1-C2	F	G	H	L	Hex	Weight kg
01	138	68	30	40	1/4	12	38	7	7	13	22	0,65
15	138	68	30	40	3/8	12	38	7	7	13	22	0,62
25	138	80	30	50	1/2	15	40	15	8,5	16	27	0,90

Hydraulic Symbol



Curves



Features

Size	01	15	25
Max Pressure (bar)	350	350	300
Max Flow (lpm)	25	30	50
Pilot Ratio	1:4.6	1:4.6	1:4
Cracking Pressure (bar)	4	4	4

Materials: Zinc plated steel body, hardened steel inner parts.

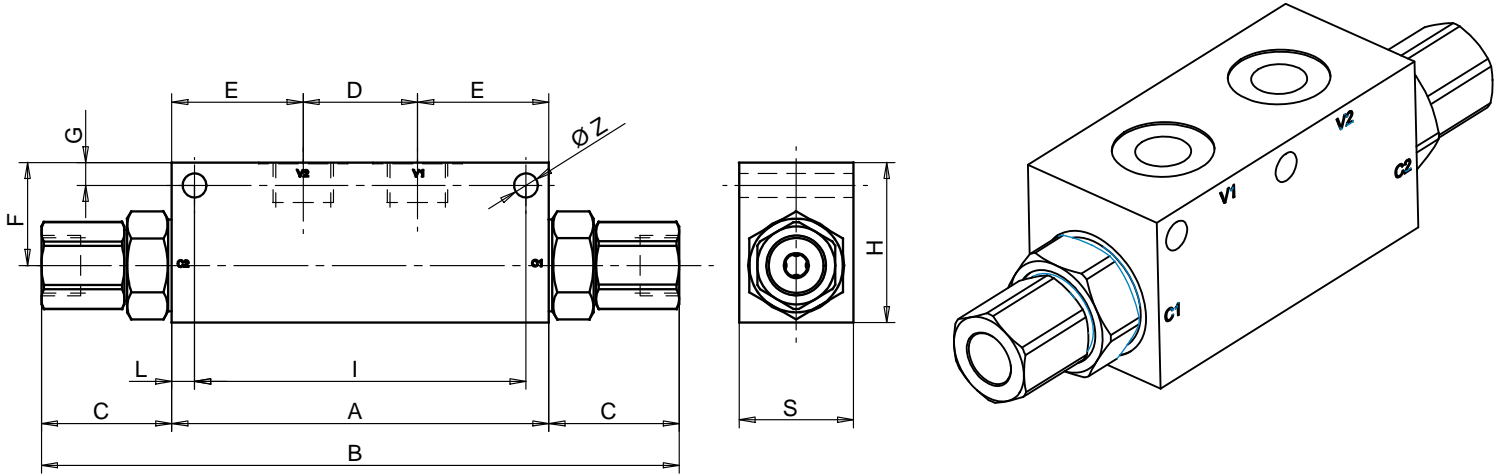
Ordering Code

LVDT-DIN --

	Size BSP
01	1/4
15	3/8
25	1/2

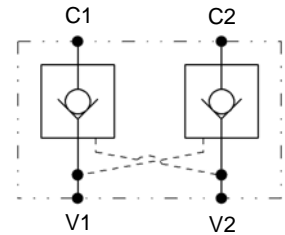
Ordering Code Example: LVDT-DIN15 = 3/8 BSP - DIN2353 12L ported, 30 lpm.

Dimensions

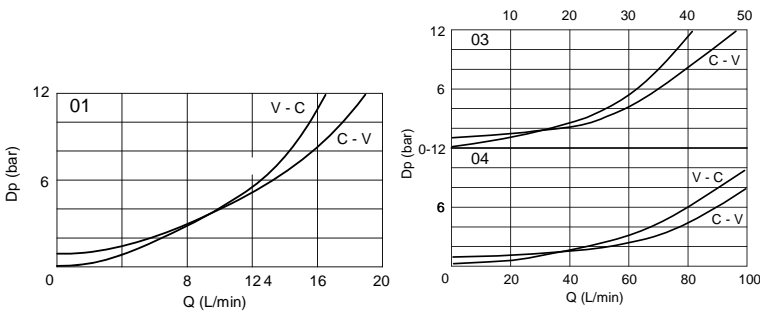


Size	V1-V2 C1-C2	A	B	C	D	E	F	G	H	I	L	S	Z
01	G 1/4	80	145	32,5	36	22	24	6	40	34	6	35	6,5
03	G 1/2	110	187	38,5	34	38	32	8	50	94	8	35	8,5
04	G 3/4	165	279	57	50	57,5	45	10	70	145	10	50	10,5

Hydraulic Symbol



Curves



Features

Max Pressure (bar)	350	
Max Flow (lpm)	100	
Pilot Ratio	Size	
	01	9:1
	03	6:1
04	3,6:1	

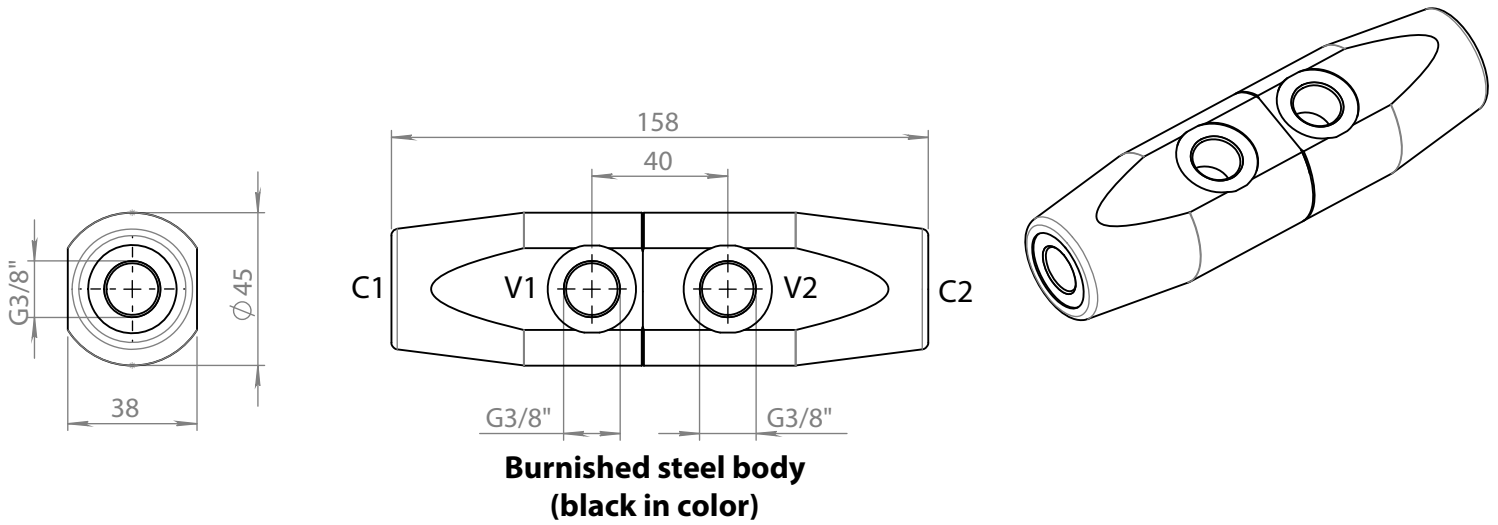
Materials: Zinc plated steel cartridge, hardened steel inner parts. Aluminium manifold.

Ordering Code

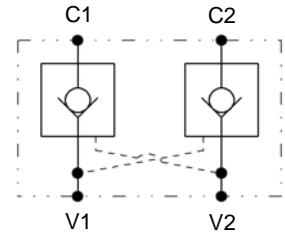
LVDTOC - -

	Size BSP
01	1/4
03	1/2
04	3/4

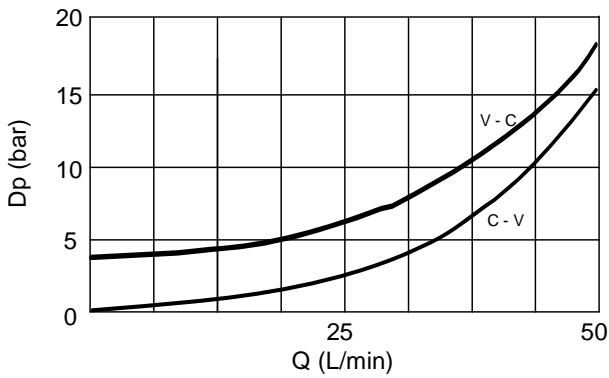
Dimensions



Hydraulic Symbol



Curves



Features

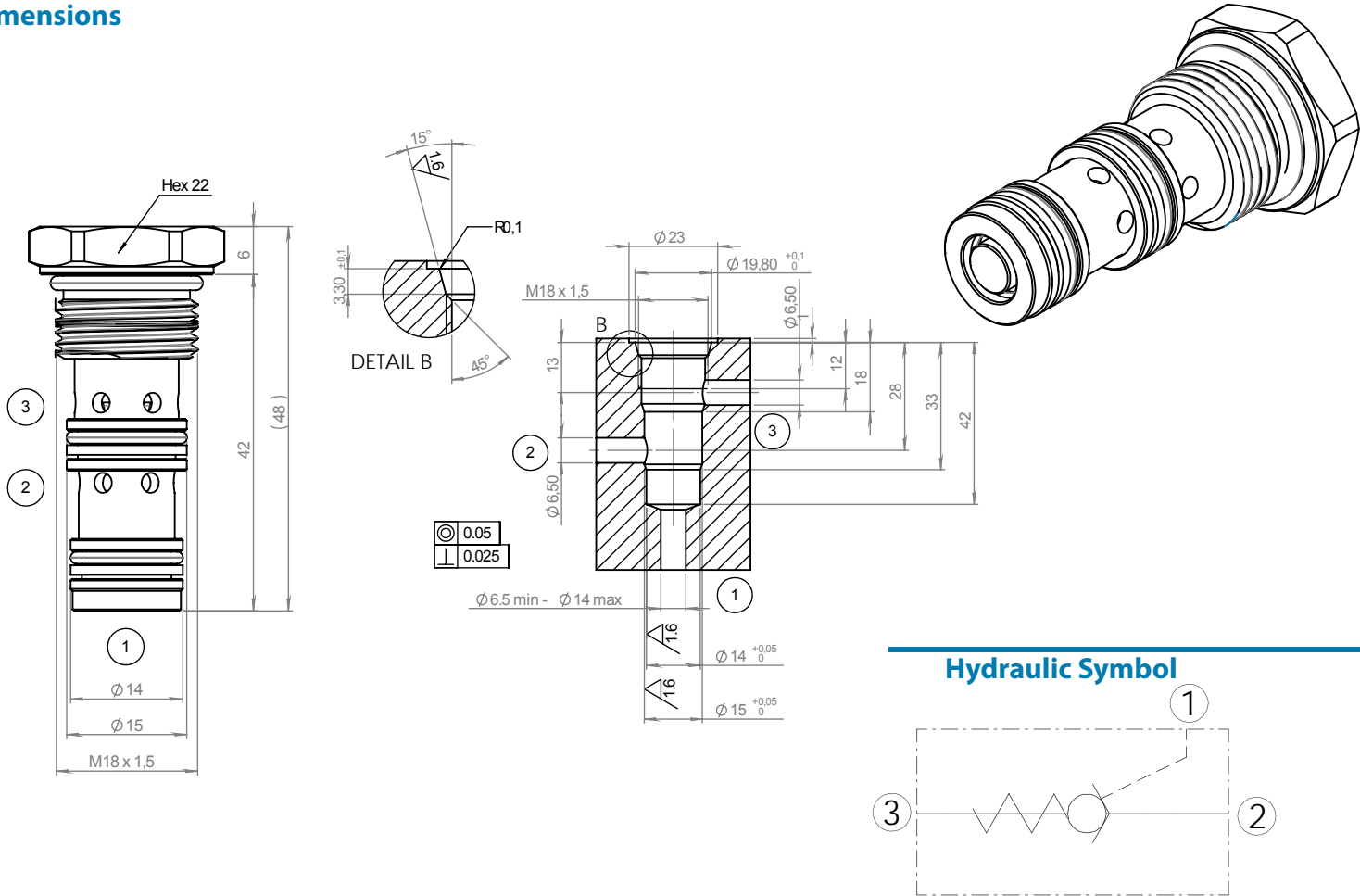
Max Pressure (bar)	350
Max Flow (lpm)	45
Pilot Ratio	4,5:1
Cracking Pressure (bar)	5
Ports	V1-V2: G 3/8 C1-C2: G 3/8

Materials: Burnished steel body, hardened steel inner parts.

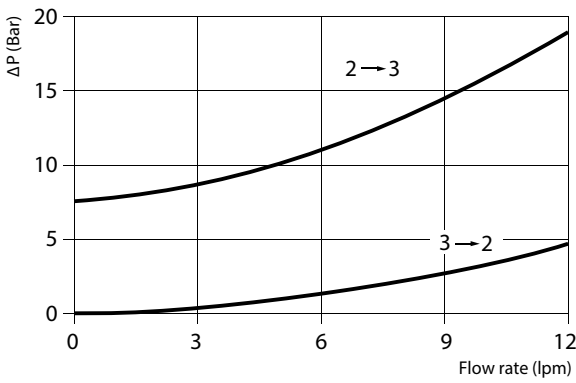
Ordering Code

LVDRK02

Dimensions



Curves



Features

Rated Flow	12 lpm
Max Pressure	210 bar
Pilot Ratio	3,2:1
Cracking Pressure	4 bar
Installation Torque	34 - 40 Nm
Weight	0,06 kg

Materials: Zinc plated steel cartridge, hardened steel inner parts.

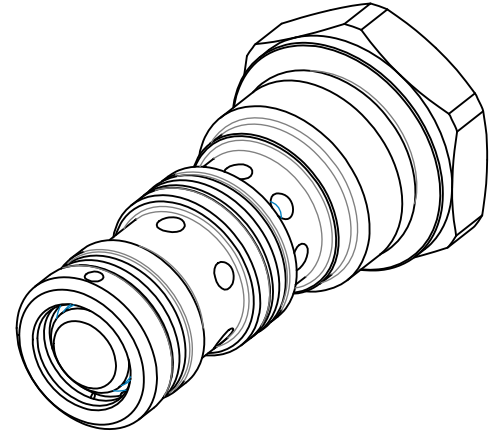
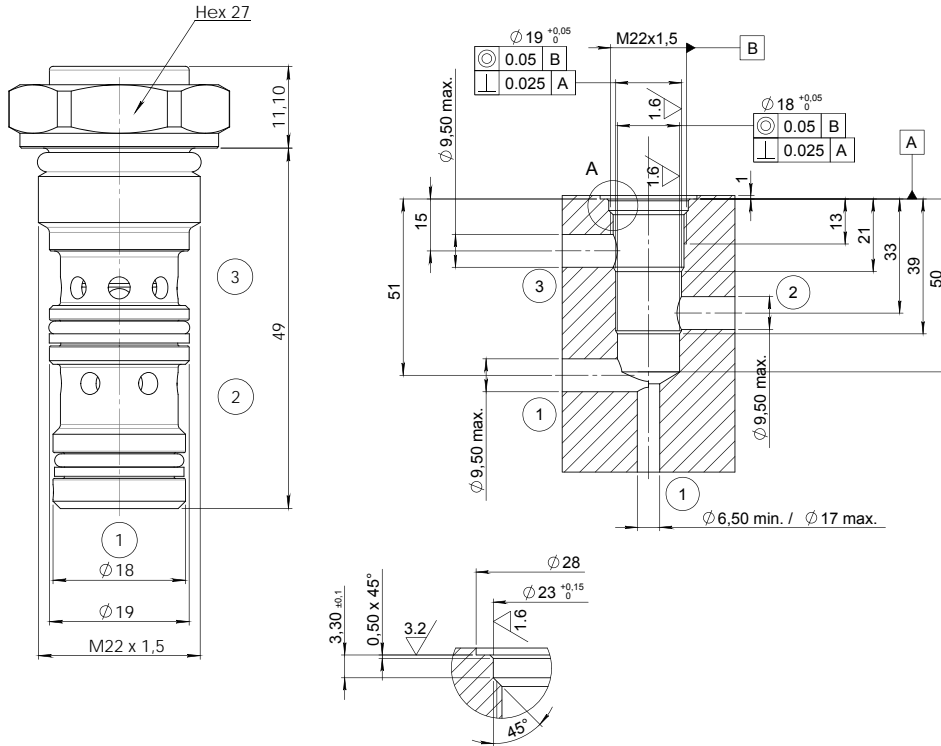
Ordering Code

LVPC 04 -

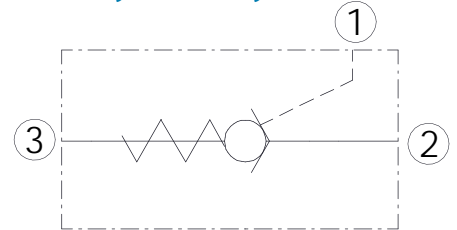
Spring (bar)	
	4
8	8

Ordering Code Example: LVPC04 - 4 bar Cracking Pressure.

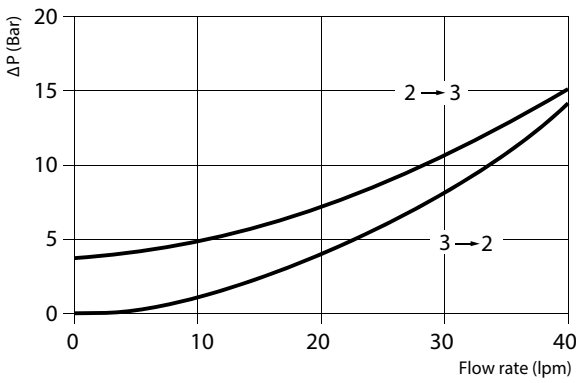
Dimensions



Hydraulic Symbol



Curves



Features

Rated Flow	25 lpm
Max Pressure	315 bar
Pilot Ratio	3,4:1
Cracking Pressure	4 bar
Installation Torque	45-50 Nm
Weight	0,1 kg

Materials: Zinc plated steel cartridge, hardened steel inner parts.

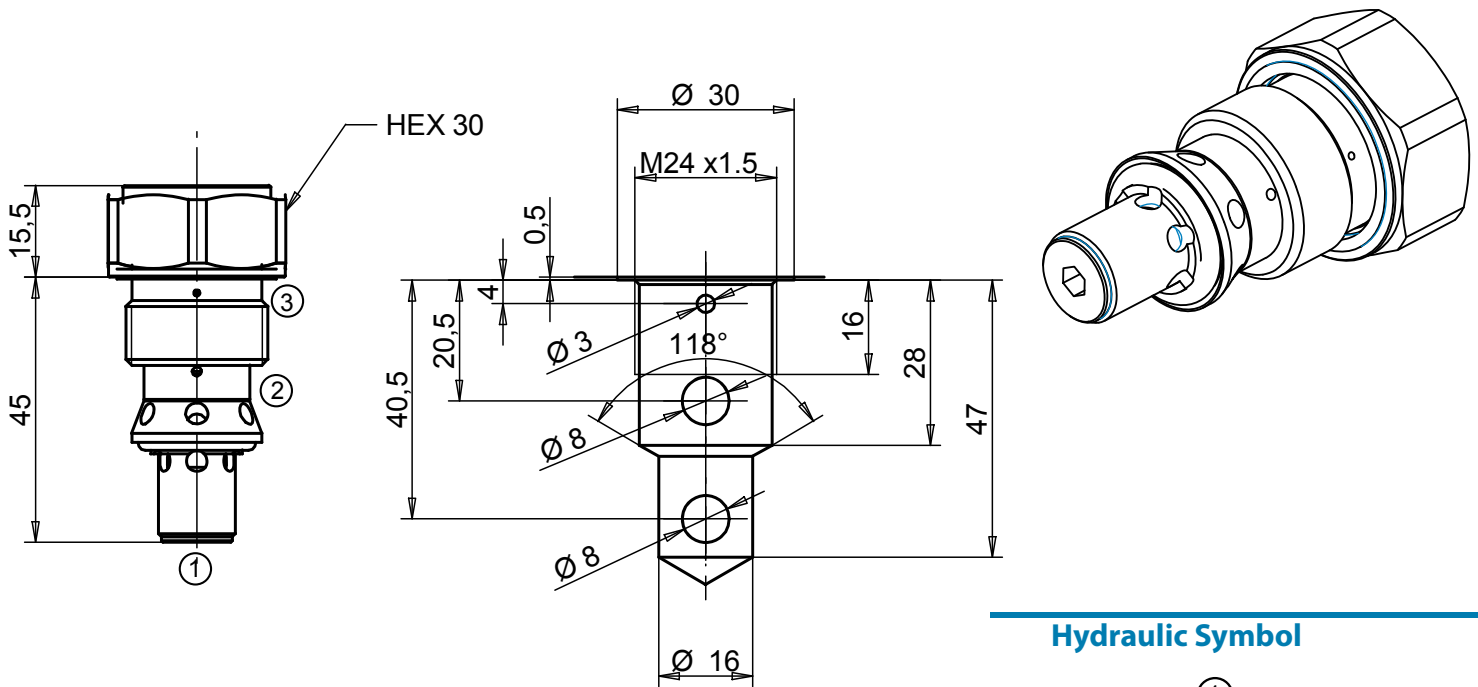
Ordering Code

LVPC 06 -

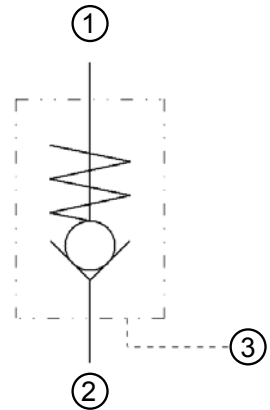
	Spring (bar)
	4
8	8

Ordering Code Example: LVPC06 - 4 bar Cracking Pressure.

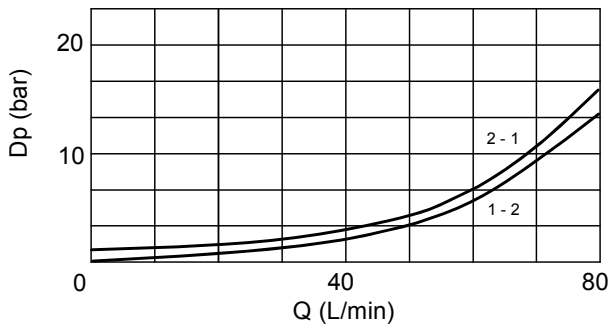
Dimensions



Hydraulic Symbol



Curves



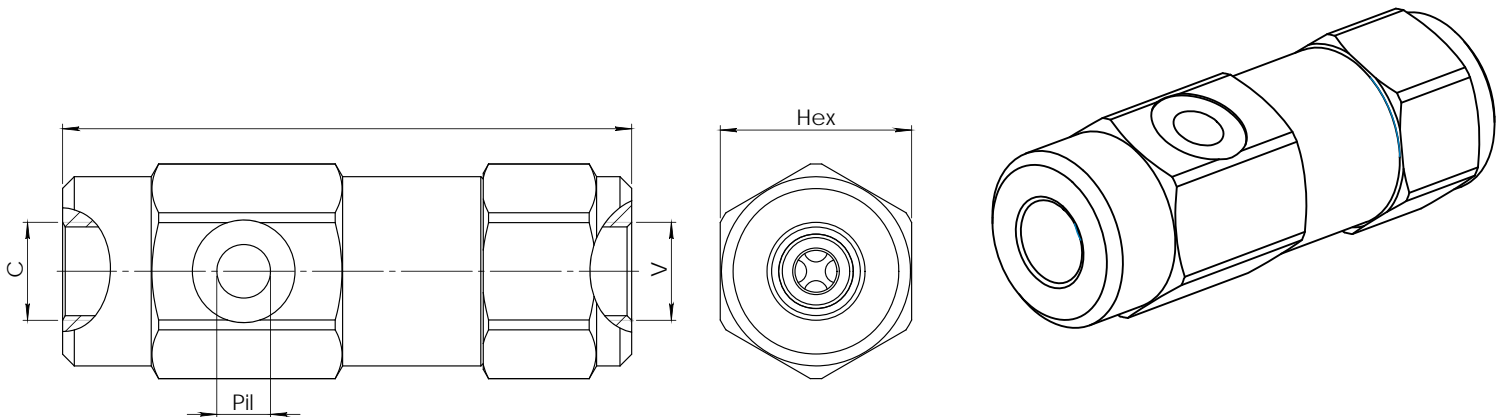
Features

Max Flow	80 lpm
Max Pressure	500 bar
Pilot Ratio	2,5:1
Cracking Pressure	1 bar
Installation Torque	85-100 Nm

Ordering Code

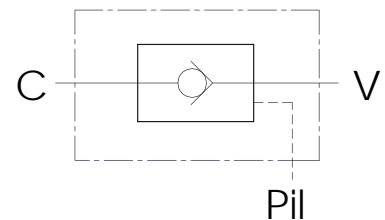
LVCPHW 80

Dimensions

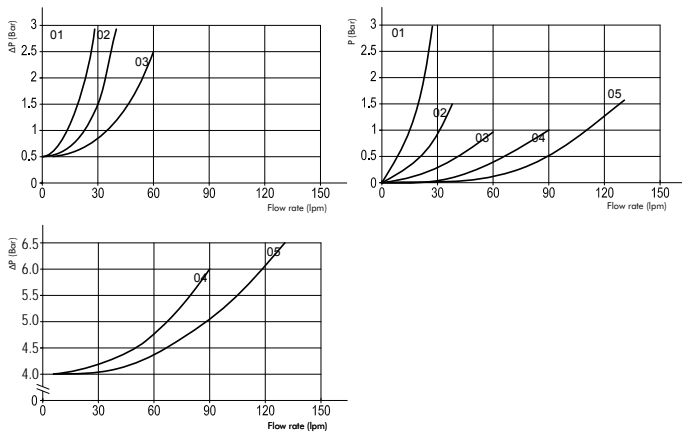


Size	A	C-V BSP	P11 BSP	Hex	Weight kg
01	103	1/4	1/4	36	0,71
02	112	3/8	1/4	40	0,98
03	122	1/2	1/4	42	1,09
04	145	3/4	1/4	55	2,32
05	164	1	1/4	55	2,44

Hydraulic Symbol



Curves



Features

Size	01	02	03	04	05
Max Pressure (bar)	350	350	350	300	260
Max Flow (lpm)	25	40	60	90	130
Pilot Ratio	1:9,4	1:6,2	1:4,2	1:4,4	1:3,5
Cracking Pressure (bar)	0,5	0,5	0,5	4	4

Materials: Zinc plated steel body, hardened steel inner parts.

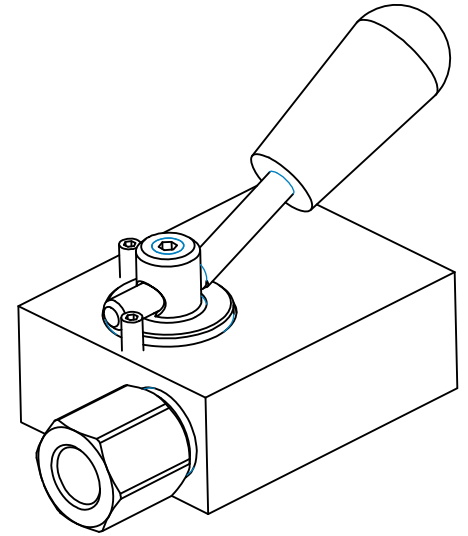
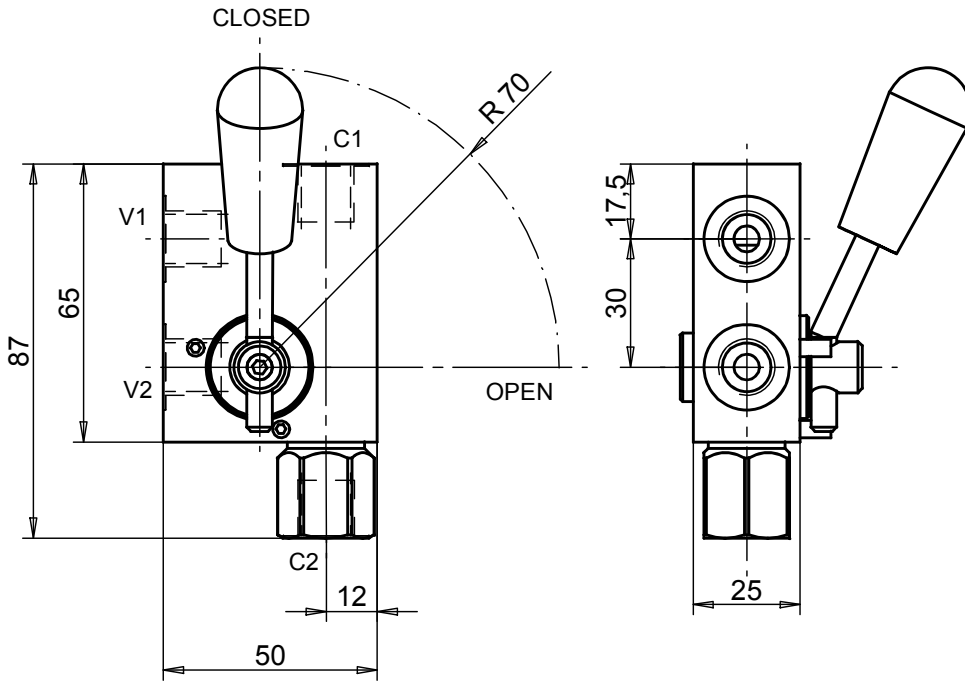
Ordering Code

LVPL - -

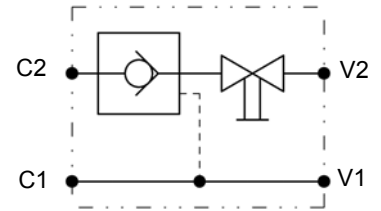
	Size BSP
01	1/4
02	3/8
03	1/2
04	3/4
05	1

Ordering Code Example: LVPL03 = 1/2 BSP.

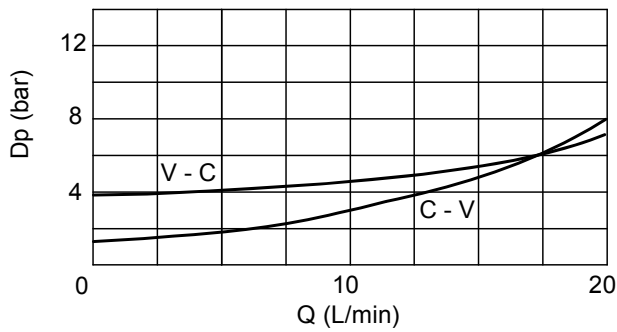
Dimensions



Hydraulic Symbol



Curves



Features

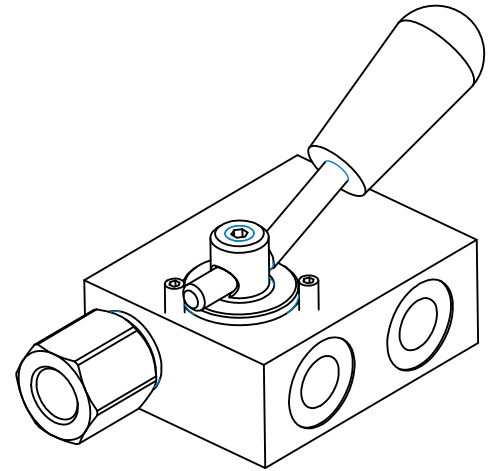
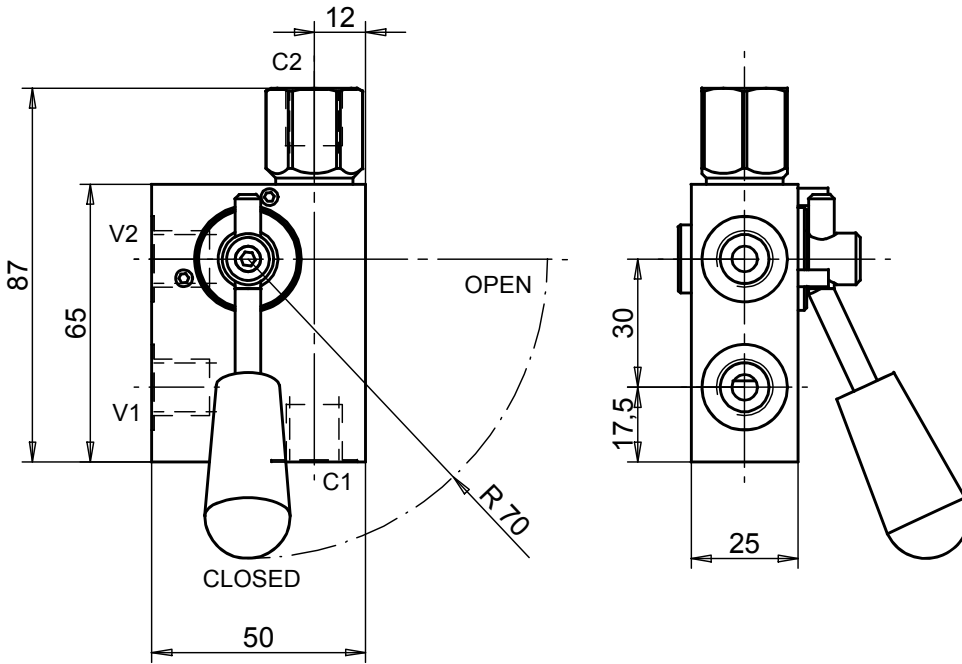
Max Flow	20 lpm
Max Pressure	350 bar
Pilot Ratio	4,7:1
Cracking Pressure	0,5 bar
Ports	1/4 bsp

Materials: Zinc plated steel cartridge, hardened steel inner parts. Aluminium manifold.

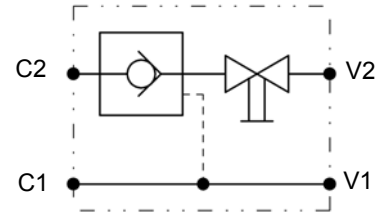
Ordering Code

LVSLRD 01

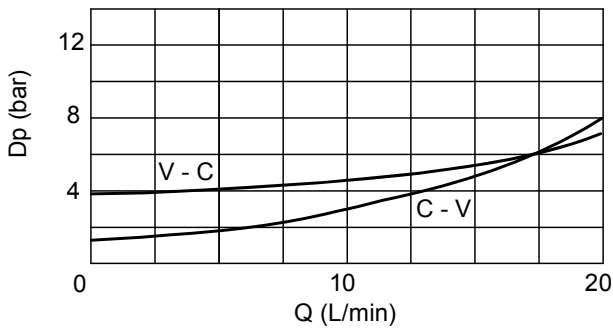
Dimensions



Hydraulic Symbol



Curves



Features

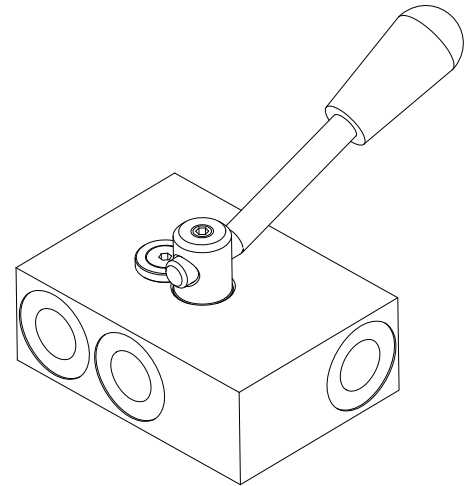
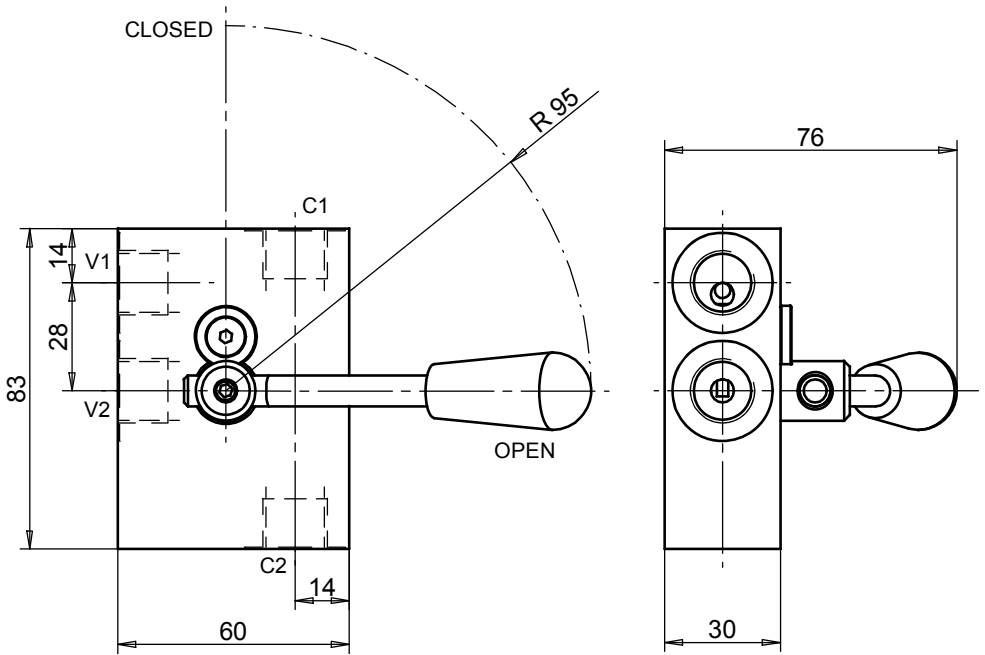
Max Flow	20 lpm
Max Pressure	350 bar
Pilot Ratio	4,7:1
Cracking Pressure	0,5 bar
Ports	1/4 bsp

Materials: Zinc plated steel cartridge, hardened steel inner parts.
Aluminium manifold.

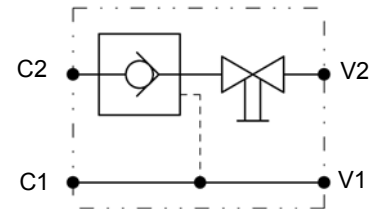
Ordering Code

LVSLRS 01

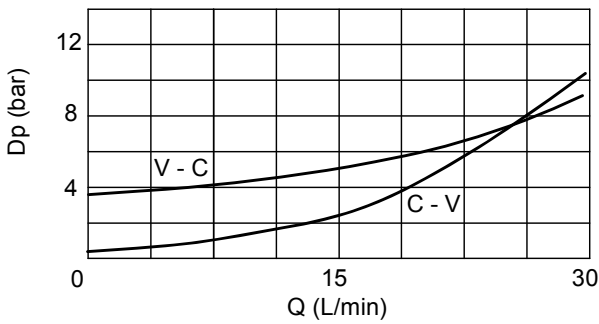
Dimensions



Hydraulic Symbol



Curves



Features

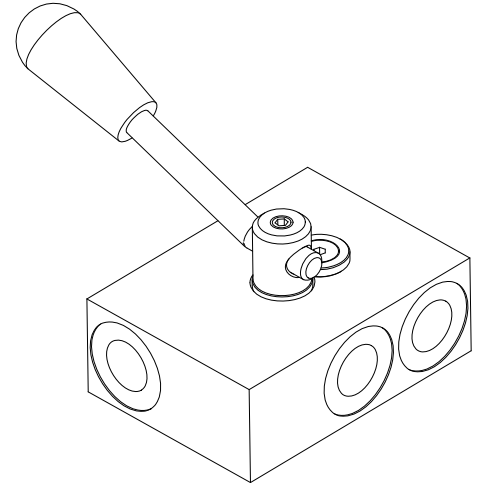
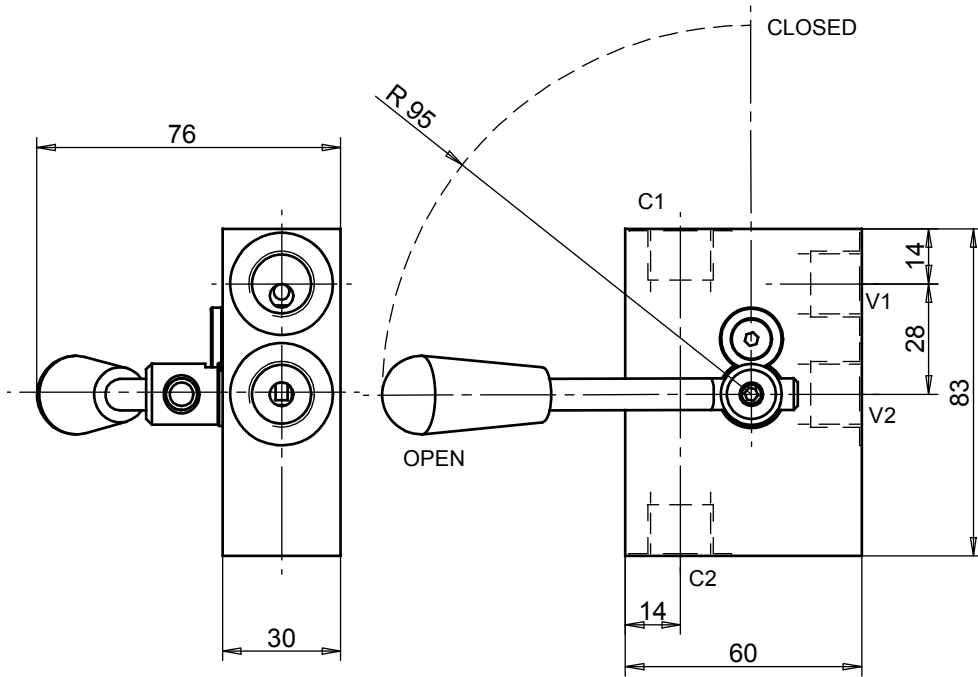
Max Flow	30 lpm
Max Pressure	350 bar
Pilot Ratio	4:1
Cracking Pressure	0,5 bar
Ports	3/8 bsp

Materials: Zinc plated steel cartridge, hardened steel inner parts.
Aluminium manifold.

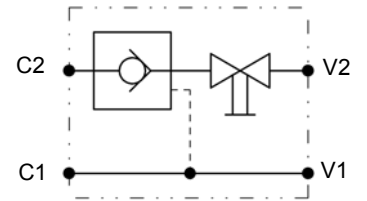
Ordering Code

LVSLRD 02

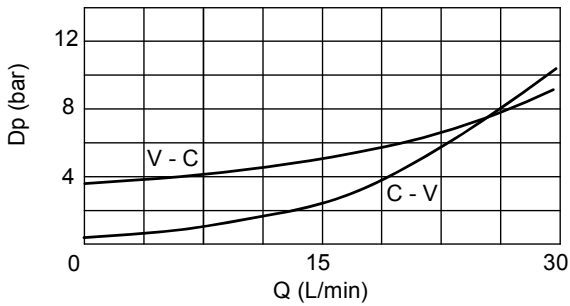
Dimensions



Hydraulic Symbol



Curves



Features

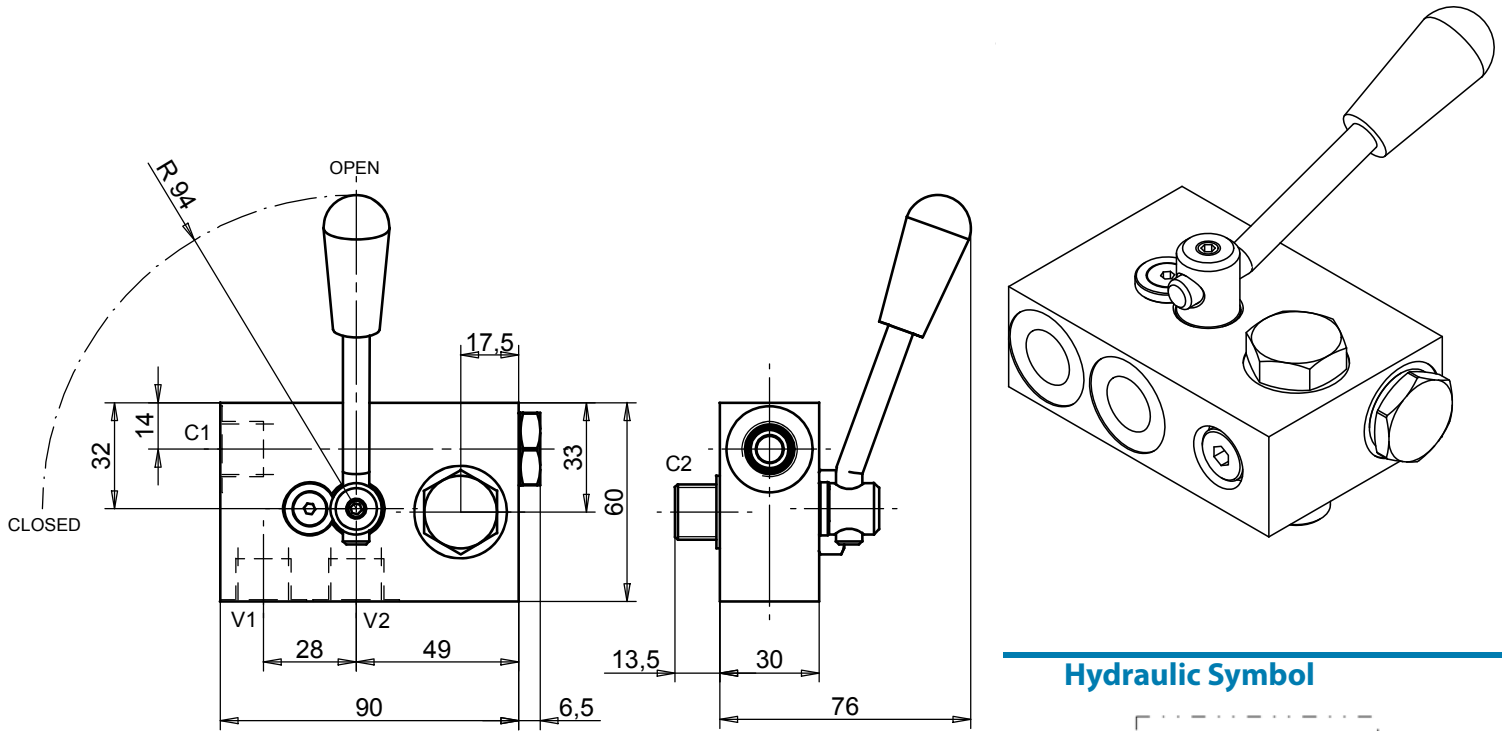
Max Flow	30 lpm
Max Pressure	350 bar
Pilot Ratio	4:1
Cracking Pressure	0,5 bar
Ports	3/8 bsp

Materials: Zinc plated steel cartridge, hardened steel inner parts.
Aluminium manifold.

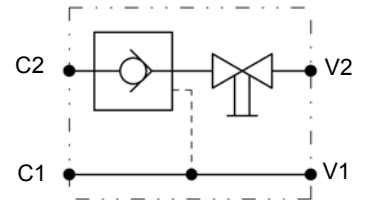
Ordering Code

LVSLRS 02

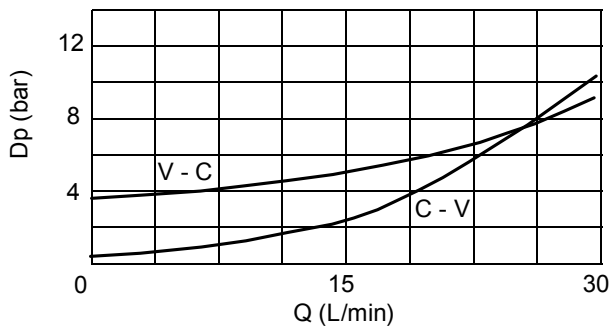
Dimensions



Hydraulic Symbol



Curves



Features

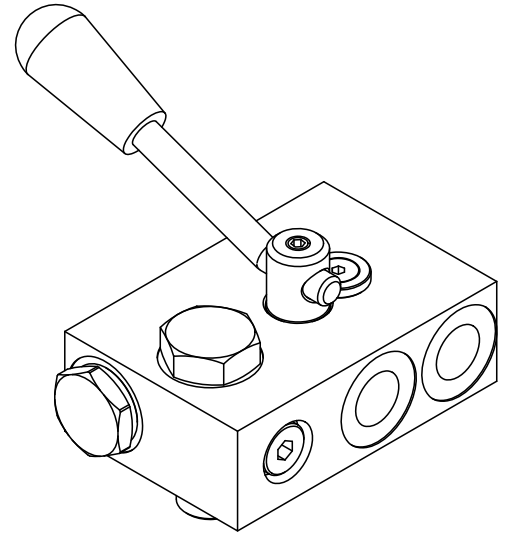
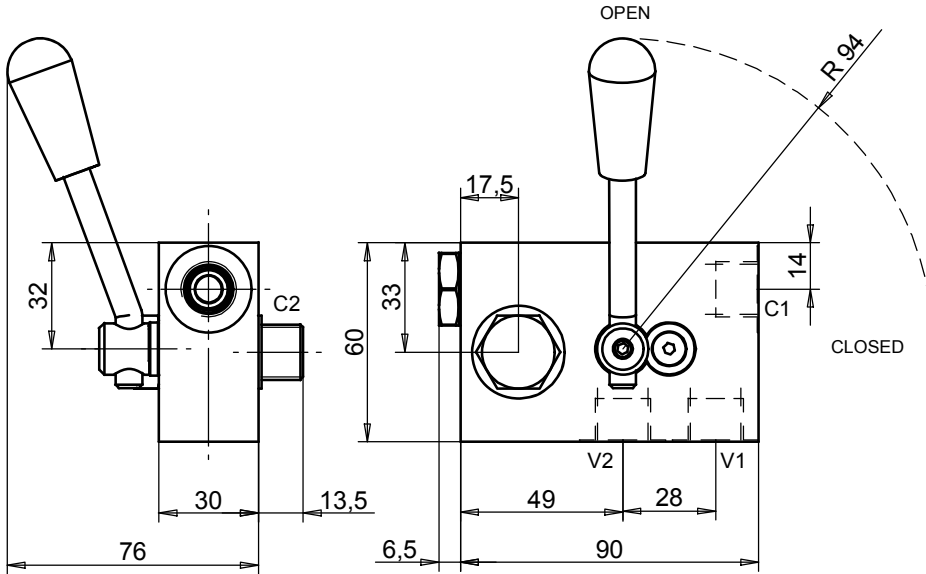
Max Flow	30 lpm
Max Pressure	350 bar
Pilot Ratio	4:1
Cracking Pressure	0,5 bar
Ports	3/8 bsp

Materials: Zinc plated steel cartridge, hardened steel inner parts.
Aluminium manifold.

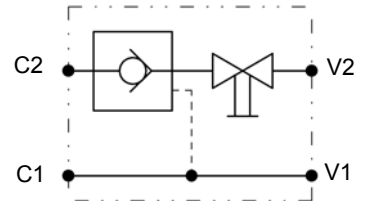
Ordering Code

LVSFRD 02

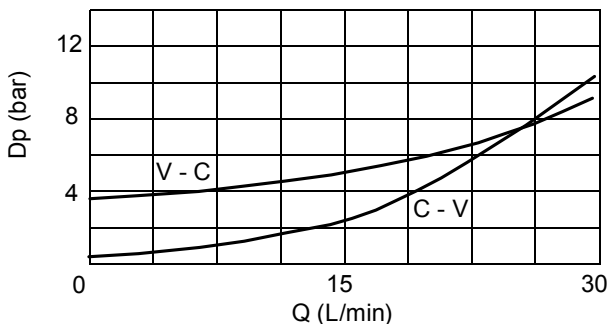
Dimensions



Hydraulic Symbol



Curves



Features

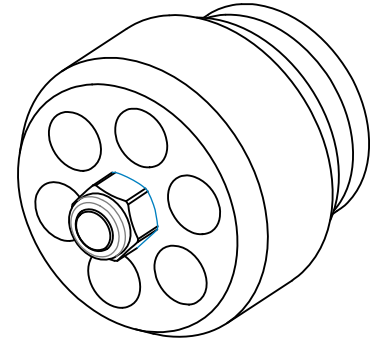
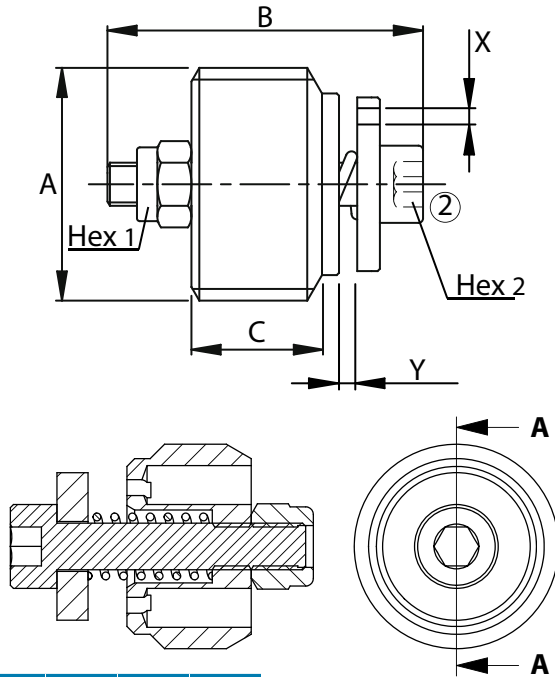
Max Flow	30 lpm
Max Pressure	350 bar
Pilot Ratio	4:1
Cracking Pressure	0,5/4 bar
Ports	3/8 bsp

Materials: Zinc plated steel cartridge, hardened steel inner parts.
Aluminium manifold.

Ordering Code

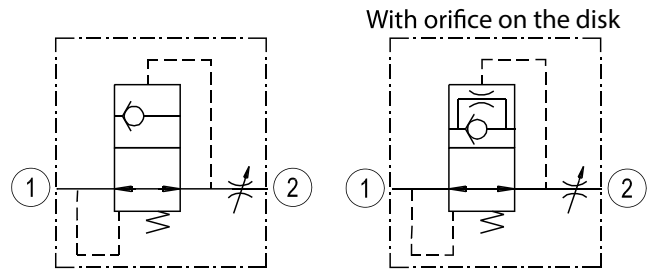
LVSFRS 02

Dimensions

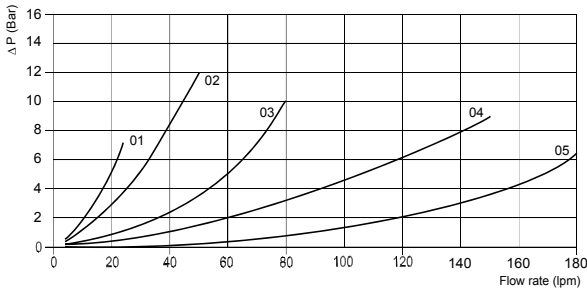


Size	A BSP	B	C	Hex 1	Hex 2	Weight kg
01	1/4	19	7	5,5	2,5	0,09
02	3/8	23	9,5	5,5	2,5	0,014
03	1/2	29	11,5	7	3	0,024
04	3/4	34	15,5	7	3	0,046
05	1	40	18,5	8	4	0,1

Hydraulic Symbol



Curves



Notice: To avoid inadvertent velocity fuse activation on flow surges the setting should be at least 50% higher than the maximum working flow.

Features

Size	01	02	03	04	05
Max Pressure (bar)	350	350	350	350	350
Max Flow (lpm)	25	50	80	150	180

Materials: Steel body.

Ordering Code

HBV -- -- - -

Size BSP		Setup
01	1/4	Cartridge only
02	3/8	MF Cartridge + Male/Female fitting*
03	1/2	FF Cartridge + Female/Female fitting*
04	3/4	
05	1	

* For line fittings dimensions refer to page 127/00

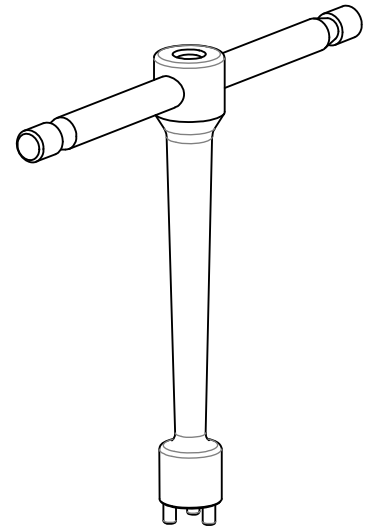
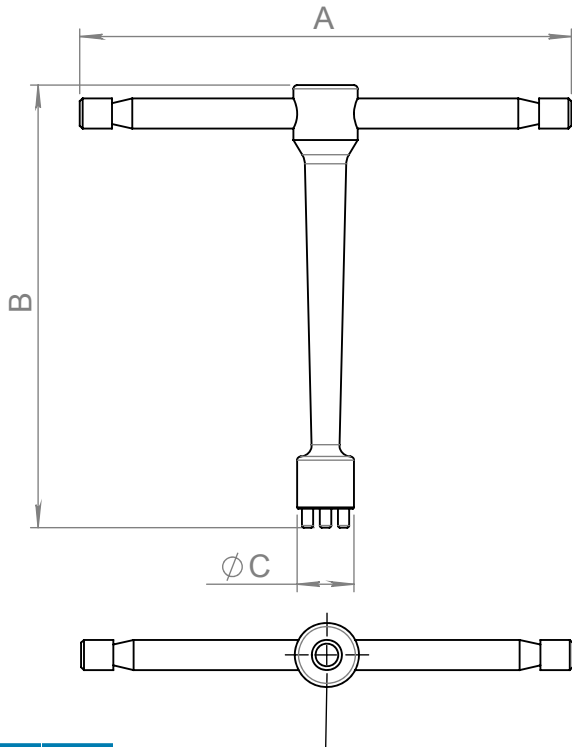
Setting	
	Standard setting
Y	Customized setting (specify in lpm)

Orifice	
	Without orifice on the disk
X	With orifice (specify dimension in mm)

Ordering Code Example: HBV02 = 3/8 BSP valve only, standard setting.

HBVMFX0,8Y30 = 3/8 BSP line fitting + valve, 0,8mm orifice set at 30 lpm.

Dimensions



Hydraulic Symbol

Size	A BSP	B	C	Weight kg
01	120	105	11,3	0,08
02	130	117	15,0	0,14

Curves

Features

Materials: Passived steel body.

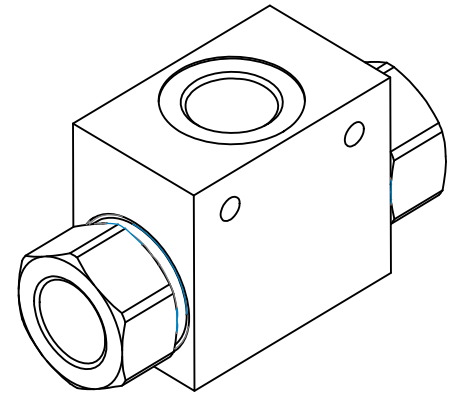
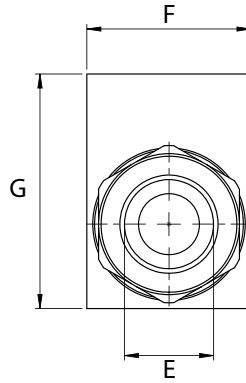
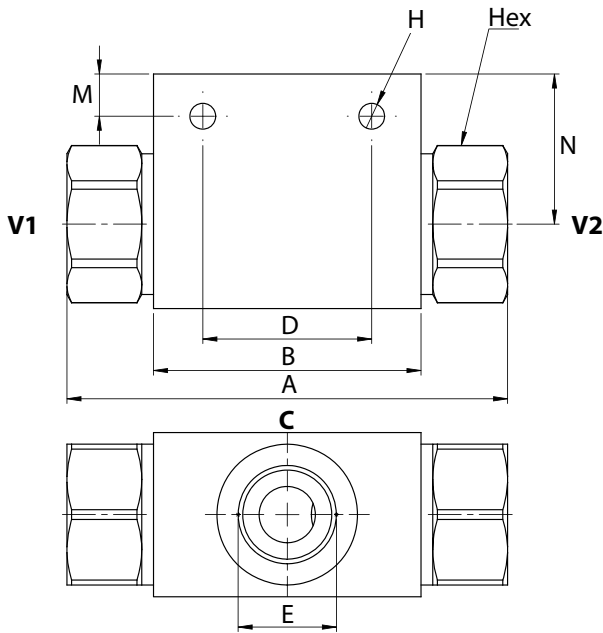
Ordering Code

HBV -- **- TOOL**

Size BSP	
01	1/4
02	3/8

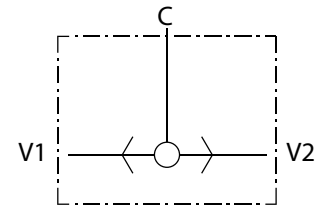
Ordering Code Example: **HBV02-TOOL** = tool for HBV02 (3/8" BSP)

Dimensions

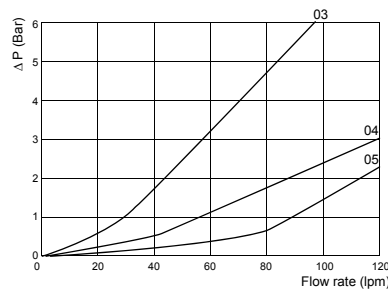
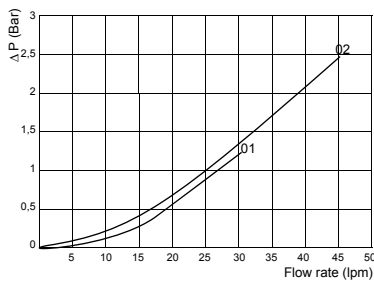


Size	A	B	D	E BSP	F	G	H	M	N	Hex	Weight kg
01	69	36	25	1/4	25	35	5,5	7,5	22,5	22	0,27
02	75	45	29	3/8	30	45	6,5	8	30	27	0,46
03	94	57	36	1/2	35	50	5,5	9	32	30	0,74
04	100	65	50	3/4	50	60	6,5	6,5	37,5	41	1,40
05	126	80	10,5	1	50	80	10,5	11	54,5	46	1,87

Hydraulic Symbol



Curves



Features

Size	01	02	03	04	05
Max Pressure (bar)	500	500	500	350	300
Max Flow (lpm)	35	50	90	140	180

Materials: Zinc plated steel body.

Ordering Code

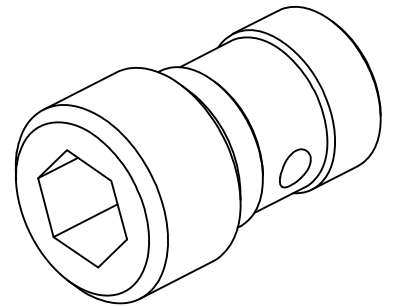
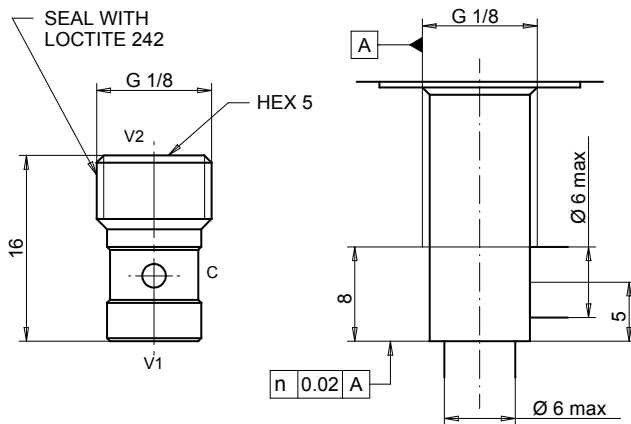
SHV --

	Size BSP
01	1/4
02	3/8
03	1/2
04	3/4
05	1

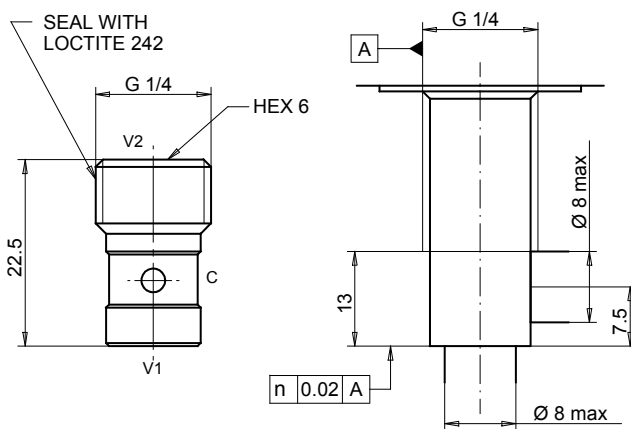
Ordering Code Example: SHV03 = 1/2 BSP.

Dimensions

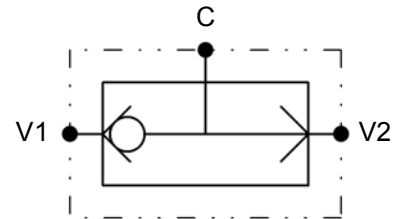
SHVI 005



SHVI 01

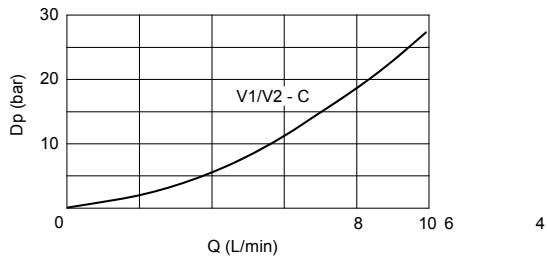


Hydraulic Symbol

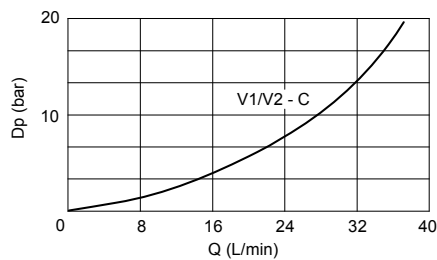


Curves

SHVI 005



SHVI 01



Features

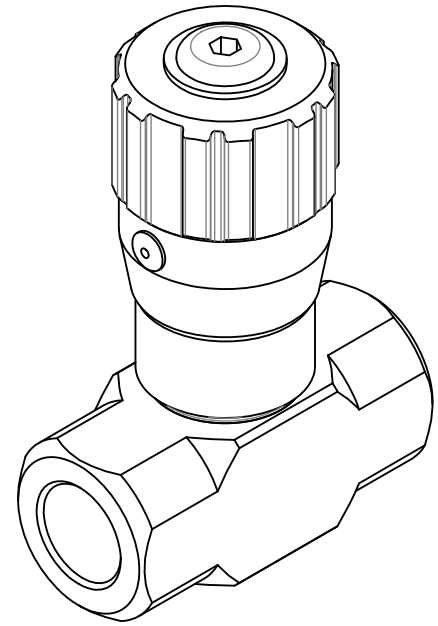
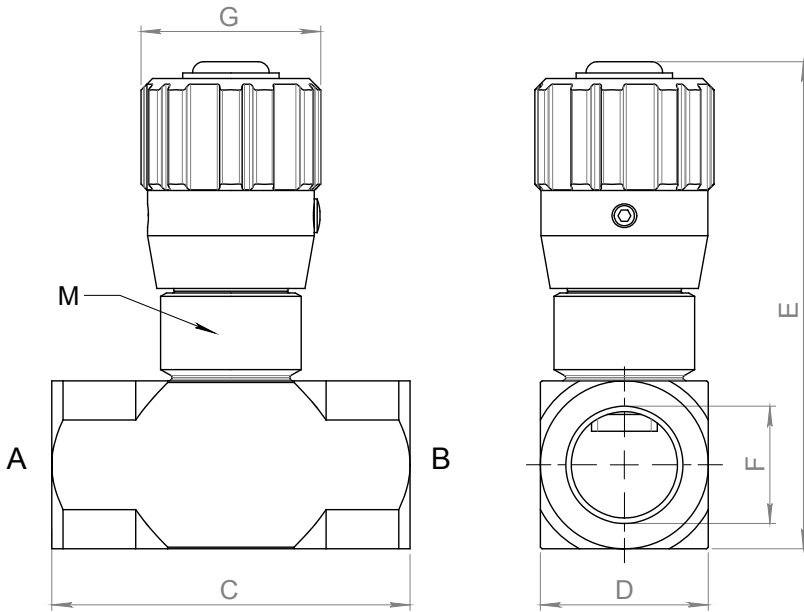
Size	005	01
Max Pressure (bar)	350	350
Max Flow (lpm)	10	36

Ordering Code

SHVI --

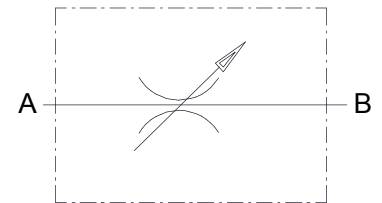
	Size BSP
005	1/8
01	1/4

Dimensions

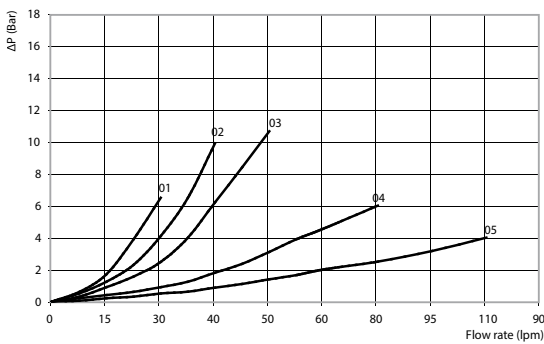


Size	F BSP	C	D	E	G	M	Weight kgs
01	1/4	58	25	82	32	M25x1	0,37
02	3/8	58	25	82	32	M25x1	0,35
03	1/2	64	30	86,5	32	M25x1	0,45
04	3/4	89	40	113	44	M35x1	1,16
05	1	89	40	111	44	M35x1	1,03

Hydraulic Symbol



Curves



Features

Size	Max Pressure bar	Max Flow rate lpm
01	350	30
02	350	40
03	350	50
04	320	80
05	300	110

Materials: Zinc plated steel body, alloy handknob.

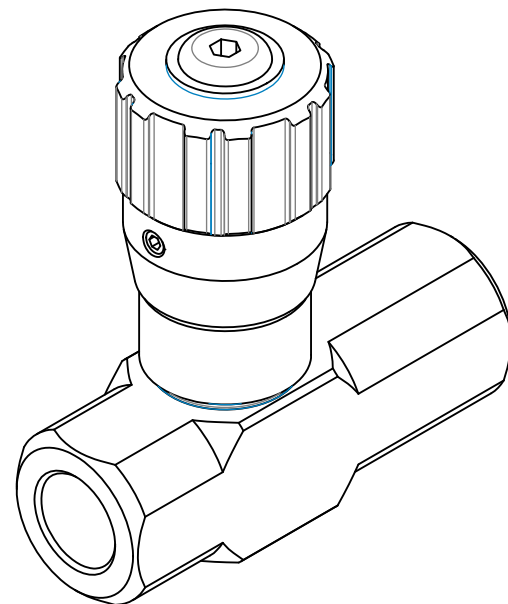
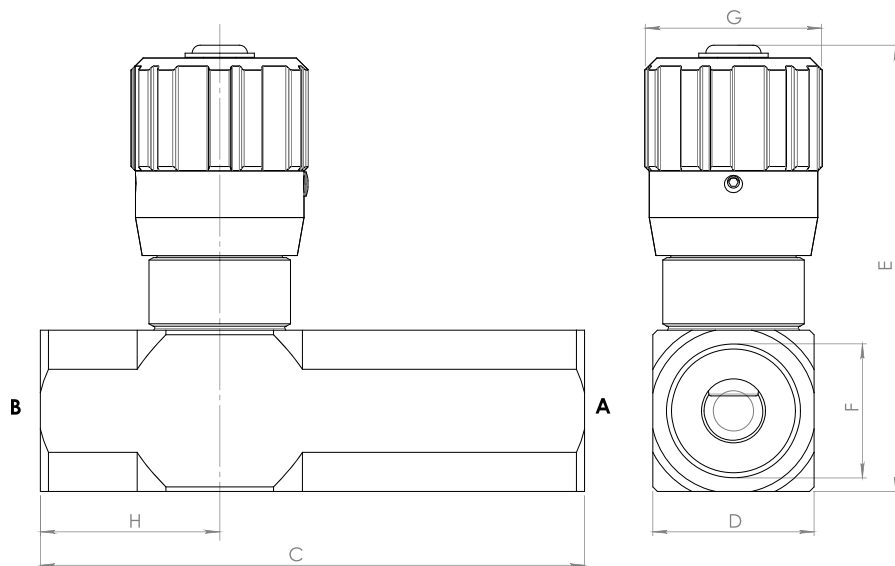
Ordering Code

FRB90 - -

	Size BSP
01	1/4
02	3/8
03	1/2
04	3/4
05	1

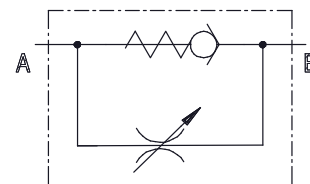
Ordering Code Example: FRB9003 = Needle valve 1/2 BSP.

Dimensions

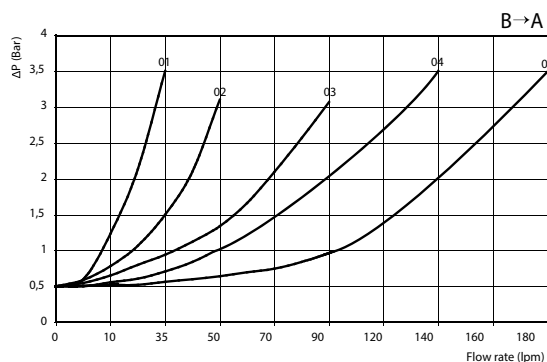
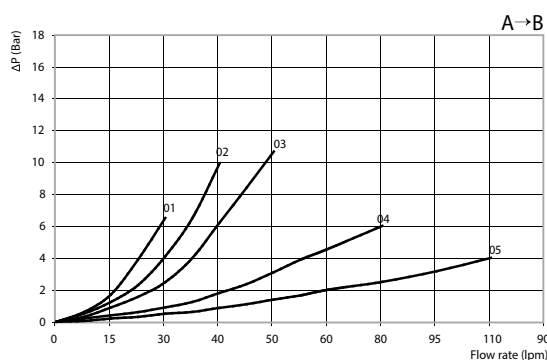


Size	F BSP	C	D	E	G	H	M	Weight kg	Max Pressure bar	Max Flow Rate A→B lpm	Max Flow rate B→A lpm	Cracking Pressure bar
01	1/4	75	25	82	32	28,5	M25x1,5	0,42	350	30	35	0,5
02	3/8	75	25	82	32	31,5	M25x1,5	0,39	350	40	50	0,5
03	1/2	93	30	84,5	32	34,5	M25x1,5	0,60	350	50	90	0,5
04	3/4	108	40	108	44	44	M35x1,5	1,42	320	80	140	0,5
05	1	108	40	108	44	44	M35x1,5	1,39	300	110	160	0,5

Hydraulic Symbol



Curves



Materials: Zinc plated steel body, alloy handknob.

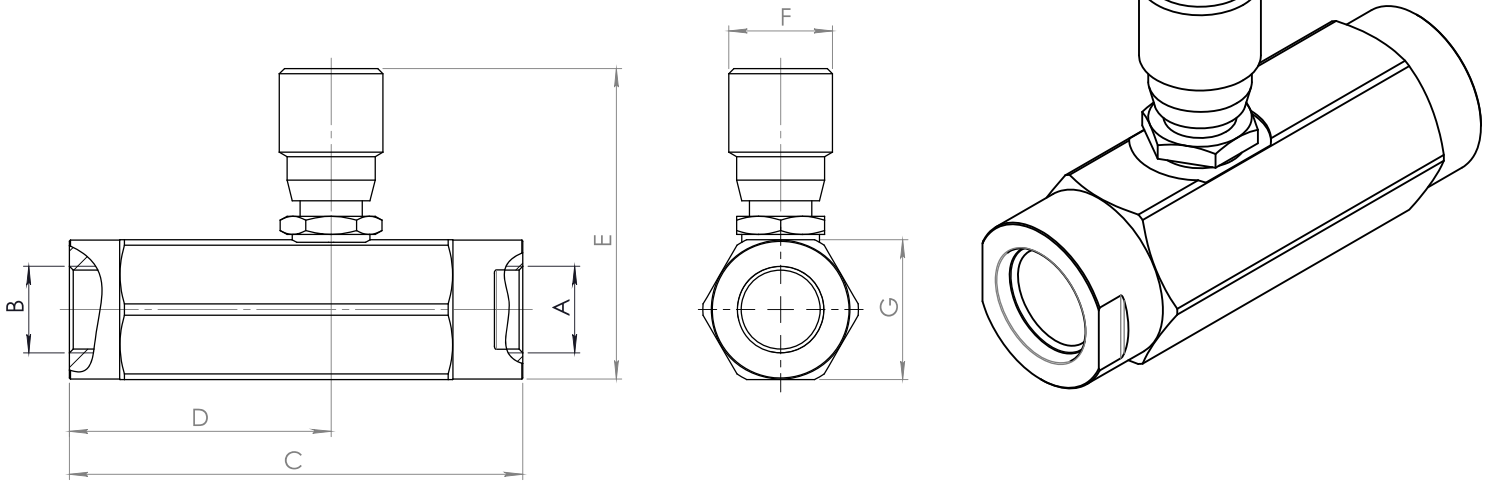
Ordering Code

FRU90 --

	Size BSP
01	1/4
02	3/8
03	1/2
04	3/4
05	1

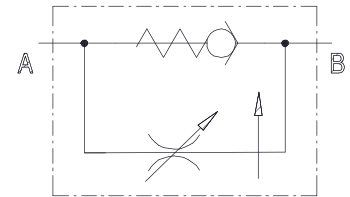
Ordering Code Example: FRU9004 = 3/4 BSP.

Dimensions

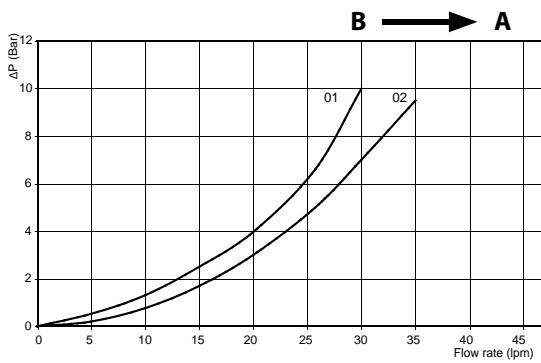


Size	A - B BSP	C	D	E max	F	G	Weight kgs
01	1/4	86	35	70	20	27	0,50
02	3/8	86	35	70	20	27	0,48

Hydraulic Symbol



Curves



Features

Size	01	02
Max Pressure (bar)	250	250
Max Flow A → B (lpm)	17	17
Max Flow B → A (lpm)	25	27

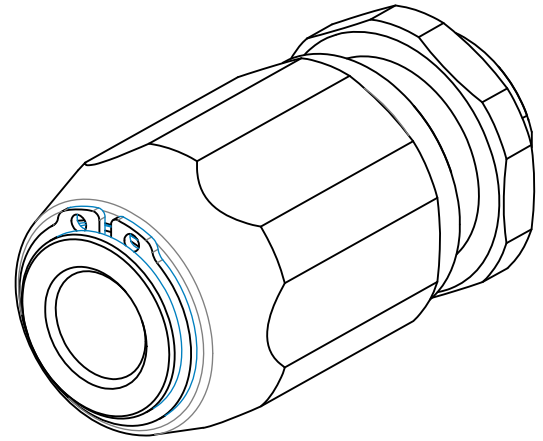
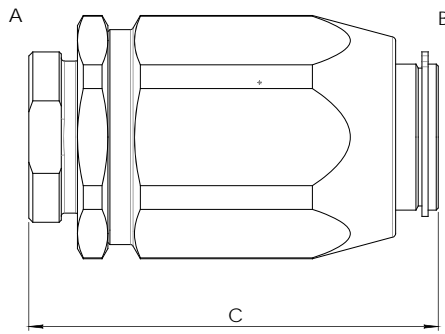
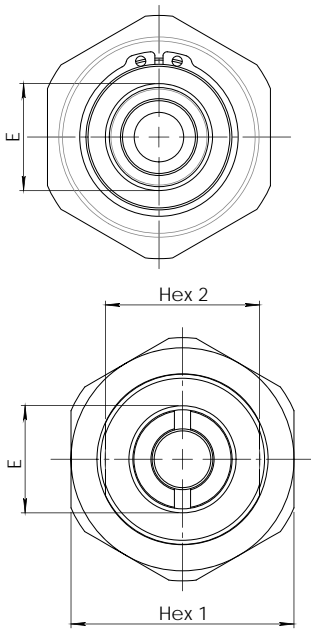
Materials: Zinc plated steel body, alloy handknob.

Ordering Code

FRC90	--
	Size BSP
01	1/4
02	3/8

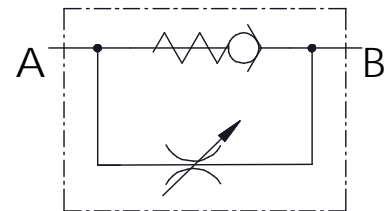
Ordering Code Example: FRC9003 = 1/2 BSP.

Dimensions

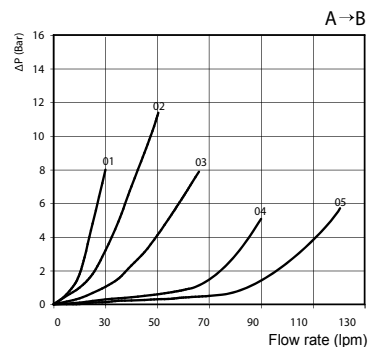
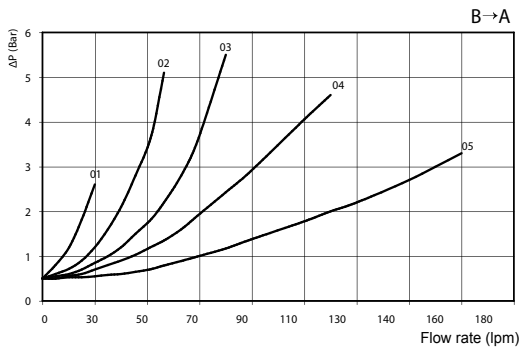


Size	C	E BSP	Hex 1	Hex 2	Weight kg	Max Pressure bar	Max Flow Rate A→B lpm	Max Flow Rate B→A lpm	Cracking Pressure bar
01	65	1/4	32	22	0,29	350	30	30	0,5
02	75	3/8	38	27	0,48	350	40	50	0,5
03	80	1/2	41	30	0,59	350	50	80	0,5
04	101	3/4	55	38	1,34	300	80	110	0,5
05	115	1	65	46	2,35	250	110	160	0,5

Hydraulic Symbol



Curves



Materials: Zinc plated steel body, hardened steel poppet.

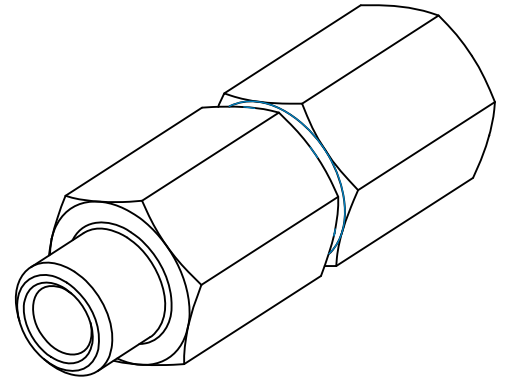
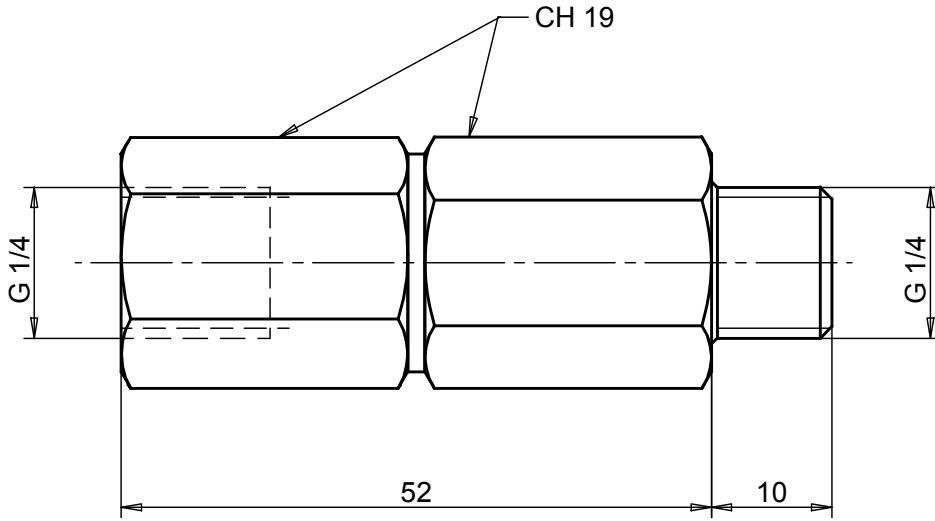
Ordering Code

FRUB --

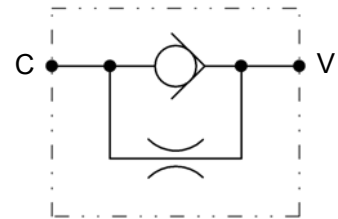
	Size BSP
01	1/4
02	3/8
03	1/2
04	3/4
05	1

Ordering Code Example: FRUB03 = 1/2 BSP.

Dimensions



Hydraulic Symbol



Features

Max Pressure (bar)	350
Max Flow (lpm)	10
Z (mm)	0,30 0,40 0,5 0,6 0,7 0,8 0,9 1,0 1,3 1,5 1,75

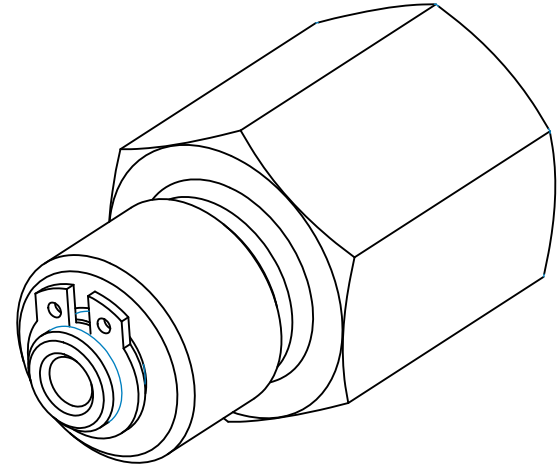
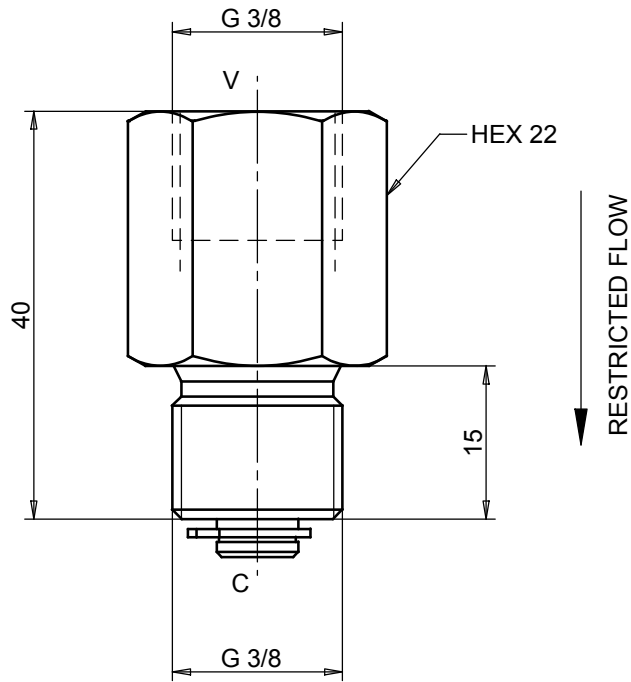
Ordering Code

VSFUD 01 --

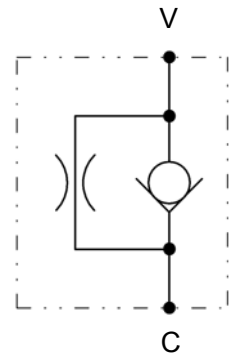
Orifice Ø

Z	To be specified
---	-----------------

Dimensions



Hydraulic Symbol



Features

Max Pressure (bar)	250						
Max Flow (lpm)	30						
Z (mm)	0,50	0,75	1,0	1,25	1,5	1,75	2,0

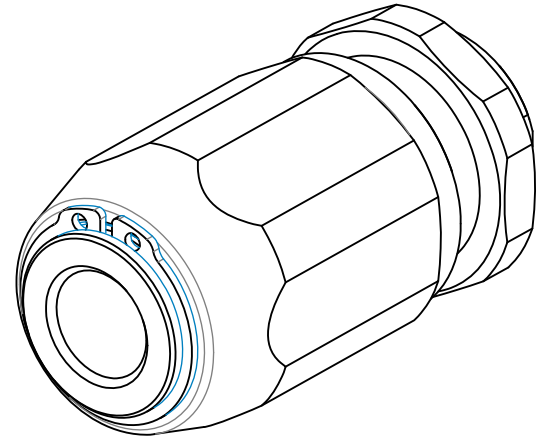
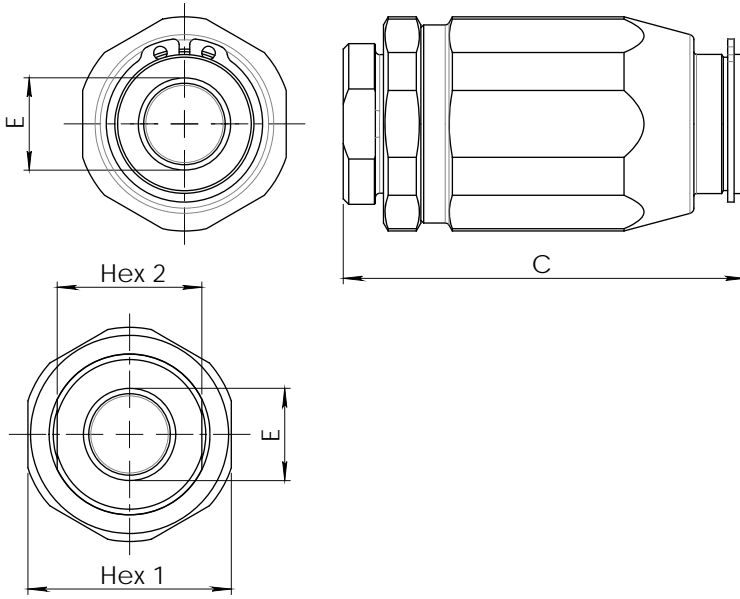
Other holes on request

Ordering Code

VSF 02 --

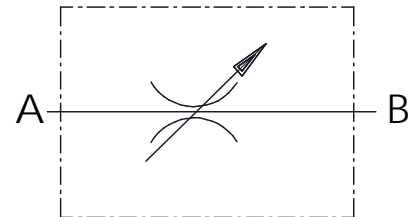
Orifice Ø	
Z	To be specified

Dimensions

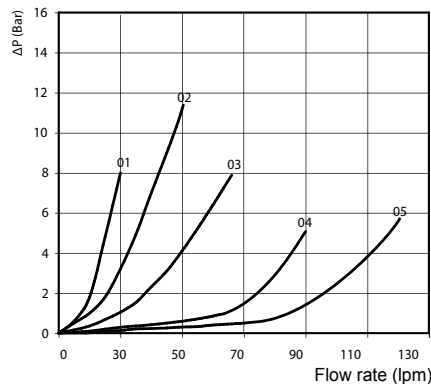


Size	C	E BSP	Hex 1	Hex 2	Weight kg	Max Pressure bar	Max Flow rate lpm
01	65	1/4	32	22	0,29	350	30
02	75	3/8	38	27	0,46	350	40
03	80	1/2	41	30	0,57	350	50
04	101	3/4	55	38	1,30	300	80
05	115	1	65	46	2,10	250	110

Hydraulic Symbol



Curves



Materials: Zinc plated steel.

Ordering Code

FRBB

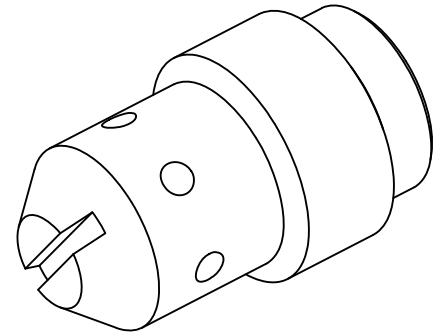
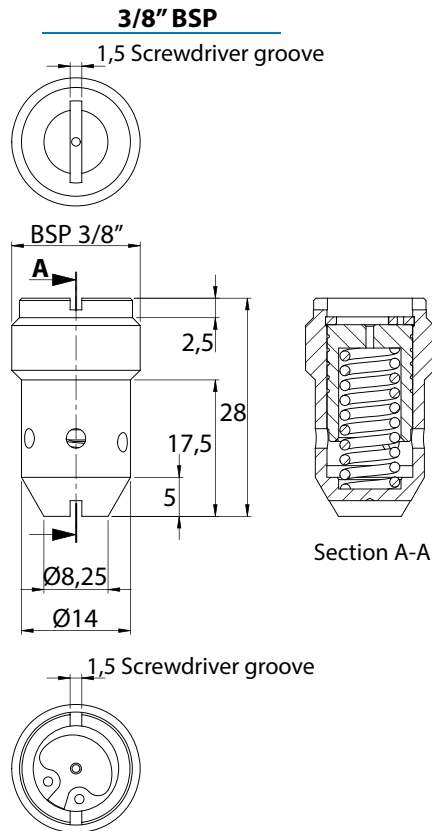
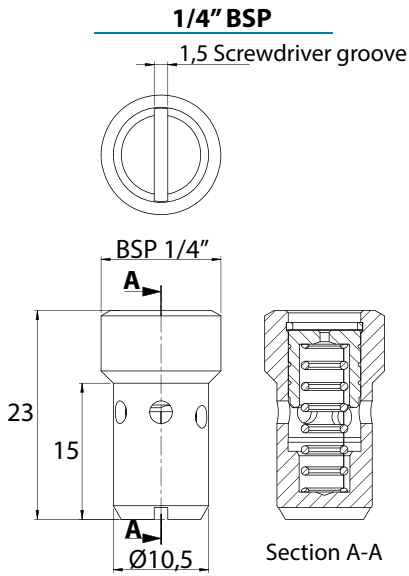
--

Size BSP

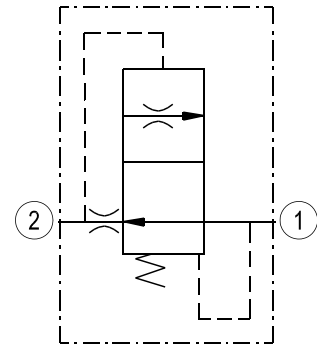
01	1/4
02	3/8
03	1/2
04	3/4
05	1

Ordering Code Example: FRBB03 = 1/2 BSP.

Dimensions



Hydraulic Symbol



Features

Max Pressure 350 bar

Materials: Steel cartridge, hardened steel inner parts.

Ordering Code

DVF

--

--

--

	Size BSP	Flow Rate (lpm)	
		01	02
01	1/4	1	2
02	3/8	1,5	-
		2	-
		3	3
		4	4
		5	5
		6	6
		7	7
		8	8
		9	9
		10	10
		-	11
		-	12
		-	13
		-	14
		-	15
		-	16
		-	17
		-	18
		-	19
		-	20

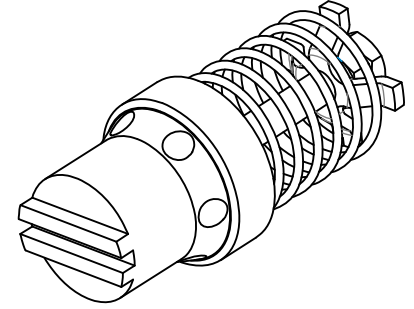
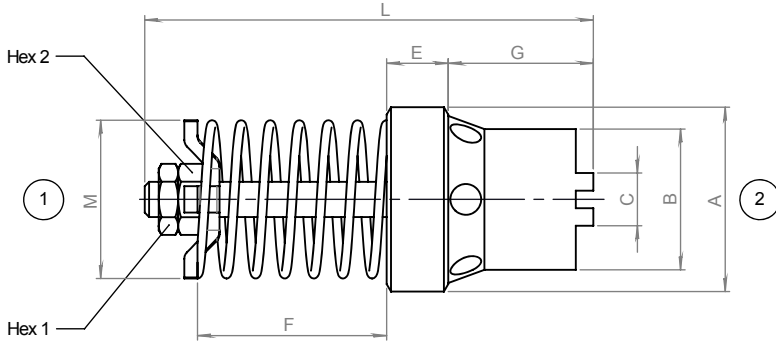
Setup

	Cartridge only
MF	Cartridge+Male/Female fitting *
FF	Cartridge+Female/Female fitting *

* For line fittings dimensions refer to page 127/00

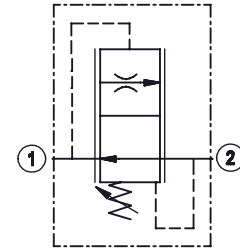
Ordering Code Example: DVF01B = 1/4" BSP cartridge, 2 lpm at 60 bar.

Dimensions

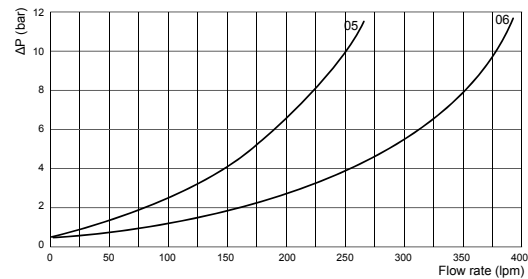
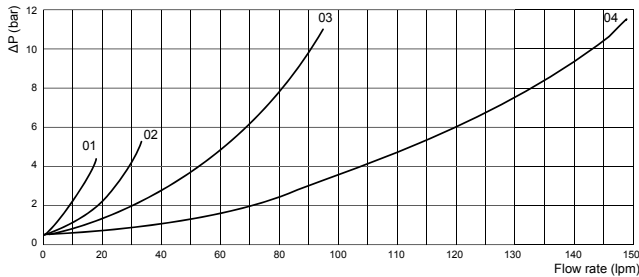


Hydraulic Symbol

Size	A (BSP)	Max Flow (lpm)	Max Pressure (bar)	B	C	E	G	L	M	Hex 1	Hex 2	Tightening Torque (Nm)	Weight (kg)
01	1/4	15	300	10	4	6,5	13,5	39	10	5,5	5,5	6	0,013
02	3/8	35	300	11,5	6	7	15	45	14	6	7	8	0,024
03	1/2	65	300	16	6	7	16,5	51	18	6	7	12	0,037
04	3/4	150	300	20	8	9,5	21,5	62	23	6	7	15	0,070
05	1	250	250	26	14	15	25	82	28,5	8	8	20	0,170
06	1-1/4	400	250	33	17,5	20,5	31,5	95	35	10	10	25	0,270



Curves



Materials: Steel cartridge.

Ordering Code

VRD -- -- --

Size	BSP
01	1/4
02	3/8
03	1/2
04	3/4
05	1
06	1 - 1/4

Setting Range	01	02	03	04	05	06
A	1 - 1,6	2,5 - 4	16 - 21	37 - 50	80 - 100	160 - 210
B	1,5 - 2,5	3,8 - 6,3	20,5 - 28	48 - 65	100 - 130	205 - 250
C	2,4 - 4	6,1 - 10	27,5 - 37	63 - 90	128 - 162	245 - 280
D	3,9 - 6,3	9,8 - 16	36,5 - 50	88 - 120	160 - 200	270 - 340
E	6,2 - 10	15,8 - 25	48 - 65	115 - 150	195 - 250	330 - 400
F	9,5 - 15	24,5 - 35	/	/	/	/

Setup

	Cartridge only
MF	Cartridge+Male/Female fitting *
FF	Cartridge+Female/Female fitting *

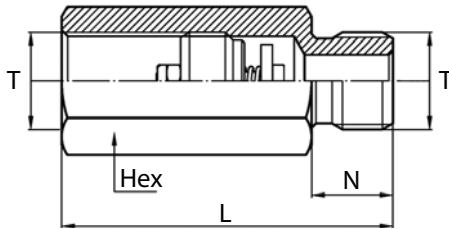
* For line fittings dimensions refer to page 127/05

Ordering Code Example: VRD03D = 1/2" BSP cartridge, 36,5 - 50 lpm flow rate setting range

Dimensions

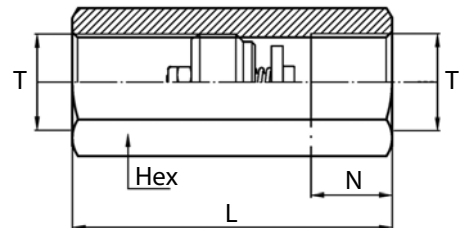
HBV

MALE-FEMALE LINE FITTING



Size	L	N	T BSP	Hex	Weight kg
01	50	11	1/4	19	0,075
02	60	12	3/8	22	0,105
03	65	16	1/2	27	0,185
04	81	17	3/4	32	0,365
05	92	18	1	41	0,765

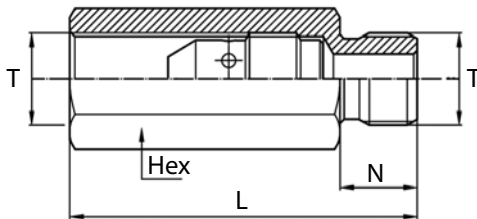
FEMALE-FEMALE LINE FITTING



Size	L	N	T BSP	Hex	Weight kg
01	59	12	1/4	19	0,075
02	64	12	3/8	22	0,097
03	60	14	1/2	27	0,160
04	76	16	3/4	32	0,350
05	86	20	1	41	0,785

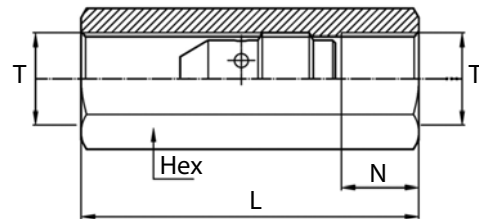
DVF

MALE-FEMALE LINE FITTING



Size	L	N	T BSP	Hex	Weight kg
01	60	12	1/4	19	0,078
02	82	12	3/8	22	0,098

FEMALE-FEMALE LINE FITTING



Size	L	N	T BSP	Hex	Weight kg
01	59	12	1/4	19	0,080
02	64	14	3/8	22	0,100

Materials: Zinc plated steel.

WARNING: HBV and DVF have to be purchased separately and fitted in by the end user unless clearly specified during the order.

Ordering Code

IH -- --- --

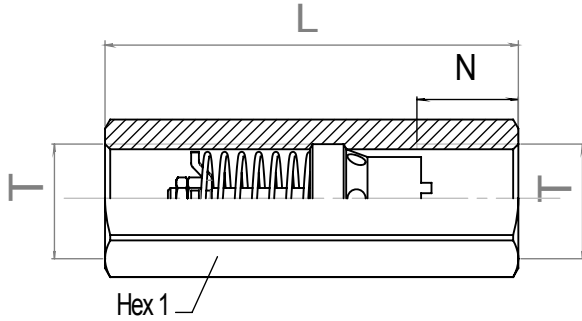
Type	Model
MF Male-Female	HBV HBV line housing
FF Female-Female	DVF DVF line housing

Size BSP	
01	1/4
02	3/8
03	1/2
04	3/4
05	1

Ordering Code Example: IHFFHBV02 = Female/Female, 3/8 BSP housing for HBV valve.

Dimensions

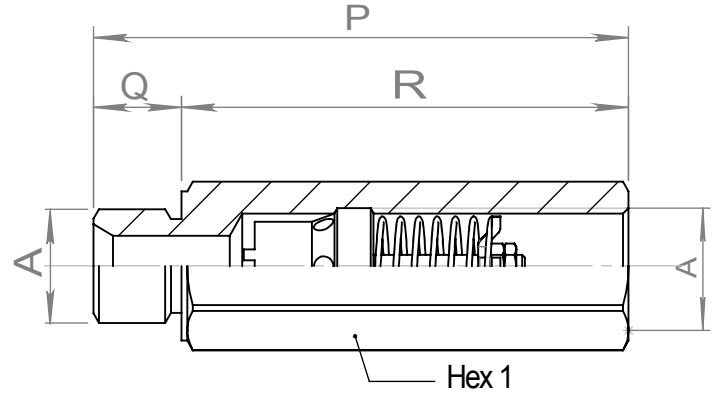
FEMALE-FEMALE LINE FITTING



Size	L	N	T BSP	Hex	Weight kg
01	66	15	1/4	19	0,11
02	70	16	3/8	25	0,12
03	80	19	1/2	28	0,20
04	100	23	3/4	35	0,29
05	125	23	1	41	0,67
06	145	30	1-1/4	50	1,04

VRD

MALE-FEMALE LINE FITTING



Size	R	P	Q	T BSP	Hex 1	Weight kg
01	68	78	10	1/4	19	0,11
02	70	82	12	3/8	25	0,14
03	80	96	16	1/2	28	0,24
04	80	106	26	3/4	35	0,34
05	110	135	25	1	41	0,75
06	125	135	30	1-1/4	50	1,09

Materials: Zinc plated steel.

WARNING: VRD have to be purchased separately and fitted in by the end user unless clearly specified during the order

Ordering Code

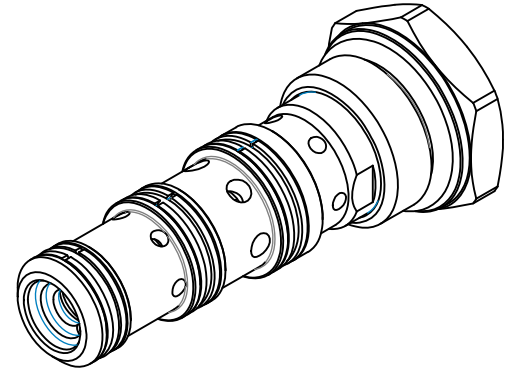
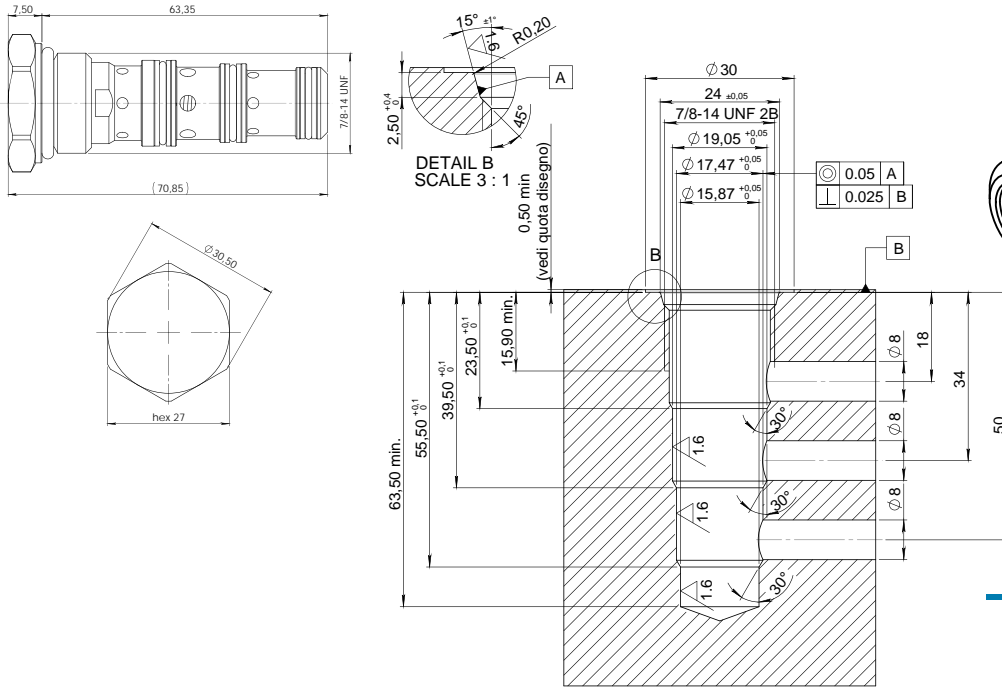
IH **--** **---** **--**

Type		Model	
MF	Male-Female	VRD	VRD line housing
FF	Female-Female		

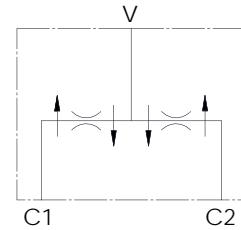
Size BSP	
01	1/4
02	3/8
03	1/2
04	3/4
05	1
06	1 - 1/4

Ordering Code Example: IHFFVRD02 = Female/Female, 3/8 BSP housing for VRD valve.

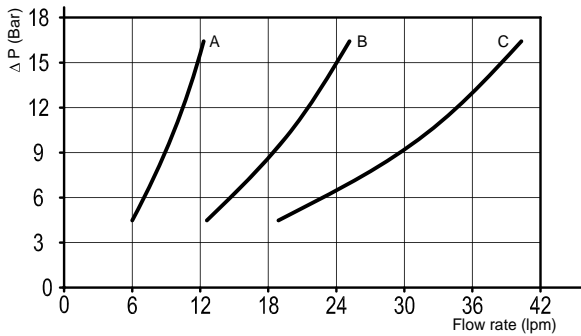
Dimensions



Hydraulic Symbol



Curves



Features

Max Flow Rate (lpm)	38
Max Pressure (bar)	350
Slippage (top portion flow curve)	± 3%
Flow Division Ratio	50% - 50%
Inlet Capacity (lpm)	A: 6-12 B: 10-24,5 C: 22-45

Ordering Code

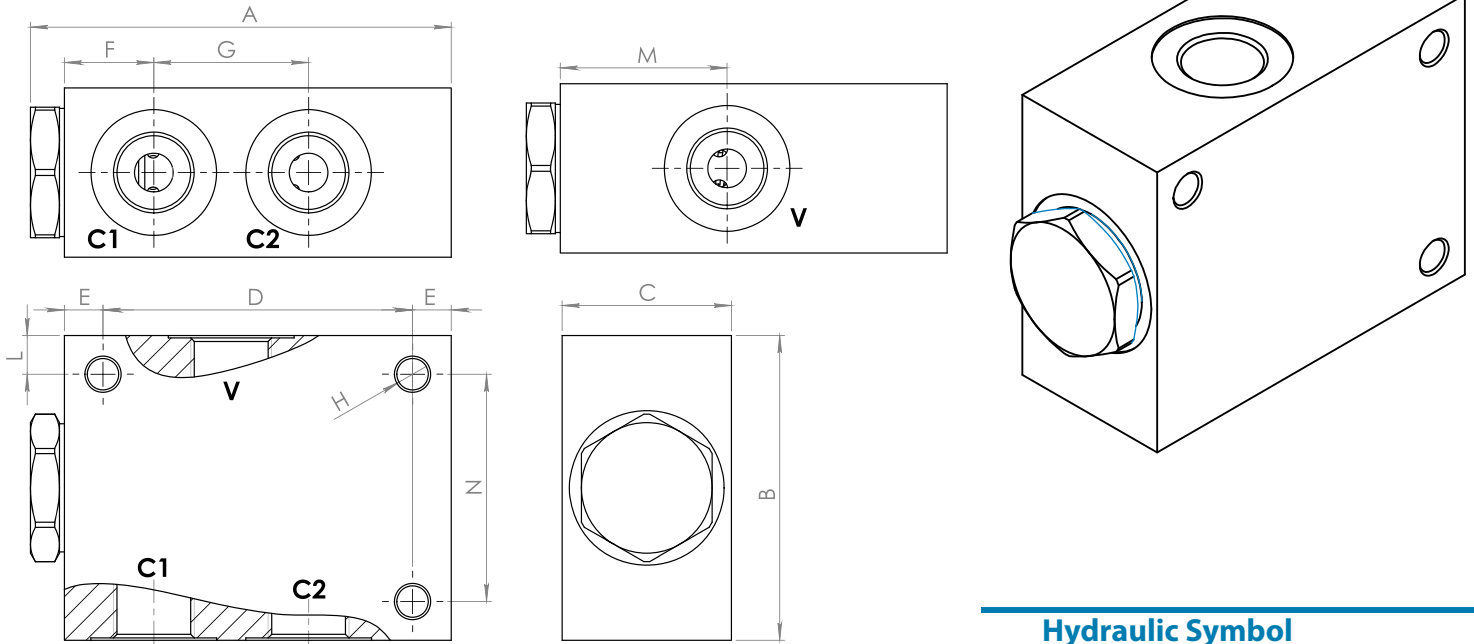
FDCS10 -

Inlet Capacity (lpm)

A	6,5 - 12
B	13 - 23
C	24 - 38

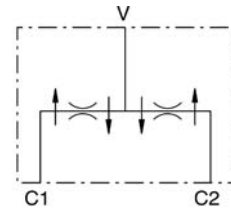
Ordering Code Example: FDCS10A - 6,5/12 lpm Inlet Range Capacity.

Dimensions

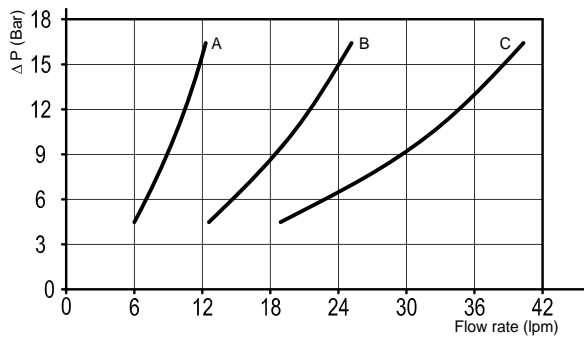


Size	C1 - C2 BSP	V BSP	A	B	C	D	E	F	G	H	L	M	N	Weight kg
02	3/8	3/8	87	63	35	64	8	18,5	32	6,5	8	34,5	47	0,52
25	3/8	1/2	87	63	35	64	8	18,5	32	6,5	8	34,5	47	0,51

Hydraulic Symbol



Curves



Features

Max Flow Rate (lpm)	38
Max Pressure (bar)	260
Slippage (top portion flow curve)	± 3%
Flow Division Ratio	50% - 50%

Materials: Aluminium manifold, hardened steel inner parts.

Ordering Code

FDC

--

-

Port Size BSP

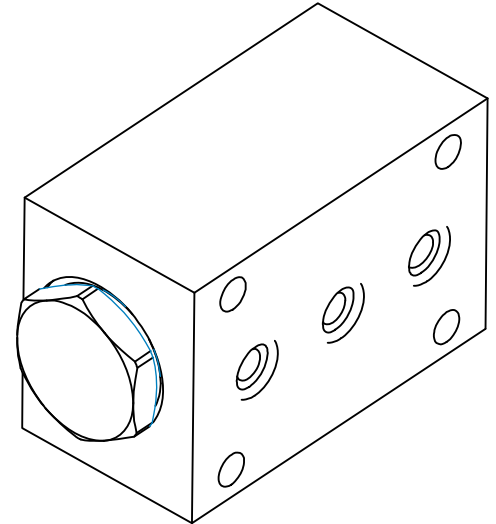
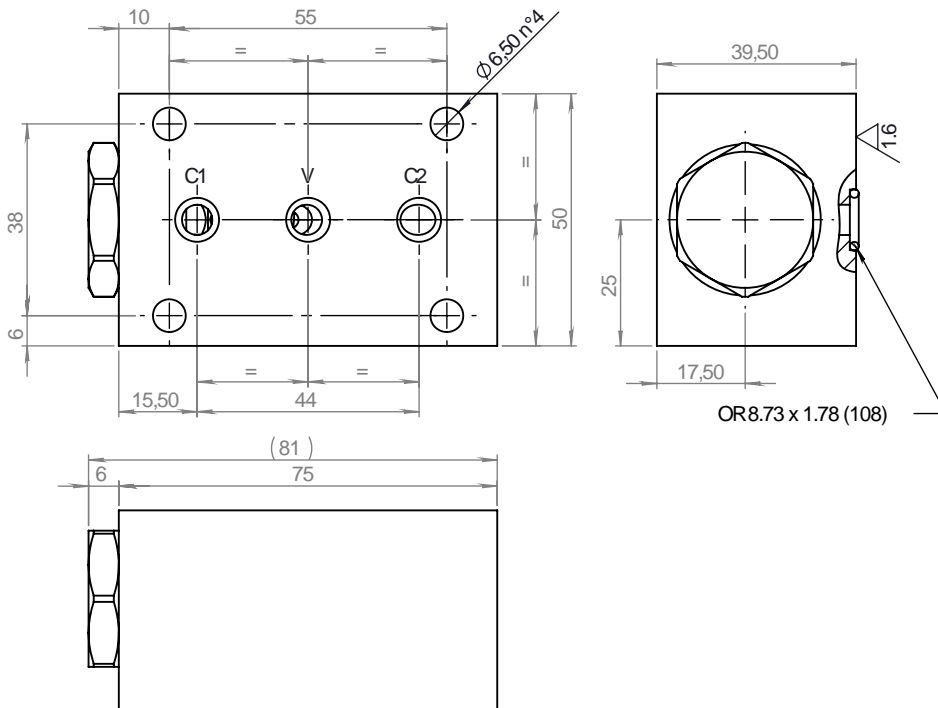
02	3/8	3/8
25	1/2	3/8

Inlet Capacity (lpm)

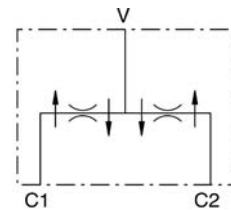
A	6,5 - 12
B	13 - 23
C	24 - 38

Ordering Code Example: FDC25B - 1/2 - 3/8 BSP Ported Manifold, 13/23 lpm Inlet Range Capacity.

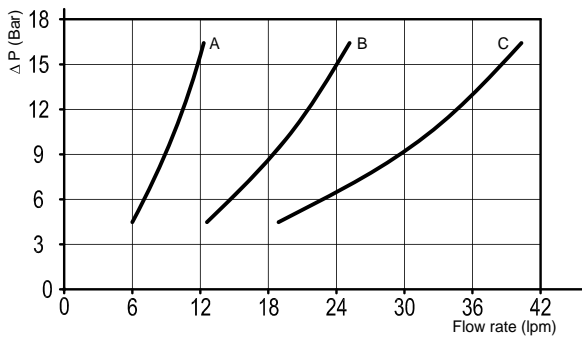
Dimensions



Hydraulic Symbol



Curves



Features

Max Flow Rate (lpm)	38
Max Pressure (bar)	260
Slippage (top portion flow curve)	$\pm 3\%$
Flow Division Ratio	50% - 50%

Materials: Aluminium manifold, hardened steel inner parts, BUNA-N seals

Ordering Code

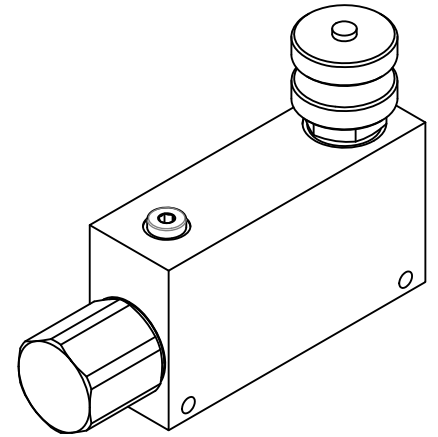
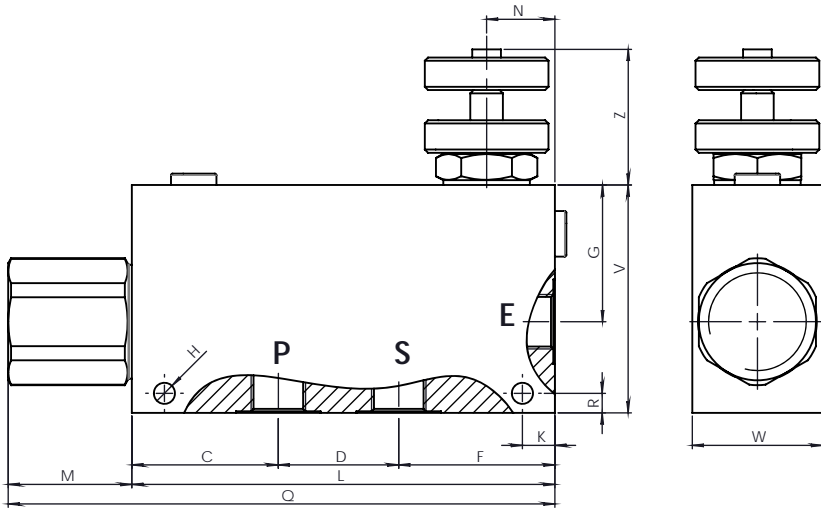
FDCF02

Inlet Capacity (lpm)

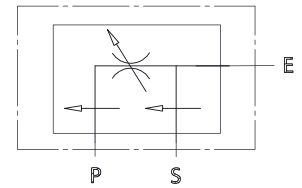
A	6,5 - 12
B	13 - 23
C	24 - 38

Ordering Code Example: FDCF02B: Flangeable manifold, 13/23 lpm Inlet Range Capacity.

Dimensions



Hydraulic Symbol

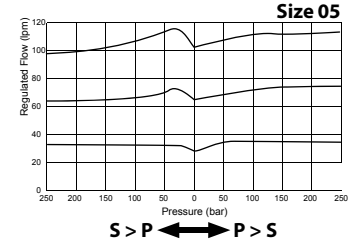
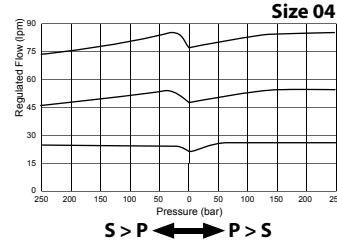
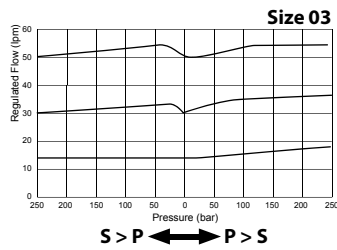
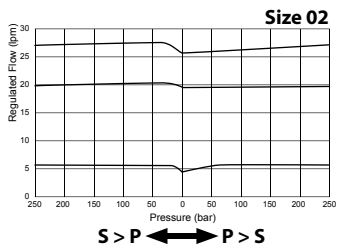


Features

Size	02	03	04	05
Max Pressure (bar)	260	260	260	260
Max Inlet Flow (lpm)	50	85	150	190
Max Adjustment Flow (lpm)	40	60	90	120

Size	E-P-S BSP	C	D	F	G	H	K	L	M	N	R	Q	V	W	Z	Weight kg
02	3/8	48	37	45	42	8,5	10	130	38	21	6	172	70	40	42 _{max}	1,37
03	1/2	48	37	45	42	8,5	10	130	38	21	6	172	70	40	42 _{max}	1,37
04	3/4	57	44	54	55	8,5	10	155	35	25	7	190	90	50	45 _{max}	2,44
05	1	55	50	50	58	8,5	10	155	35	25	7	190	100	50	45 _{max}	2,54

Curves



Materials: Aluminium body, hardened steel inner parts.

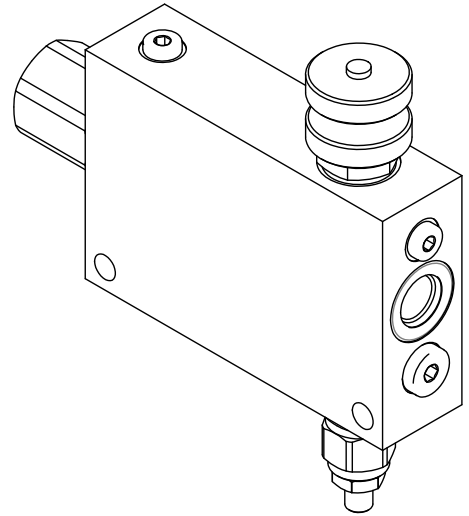
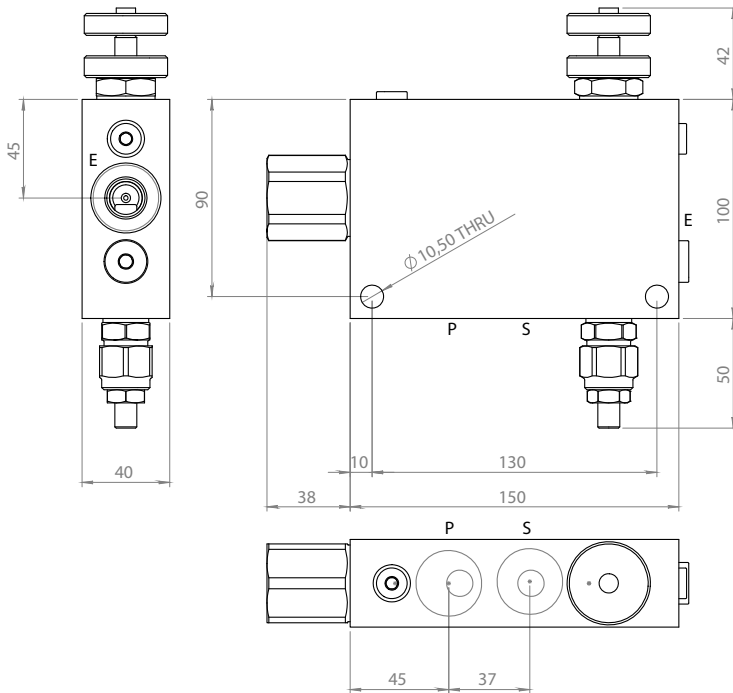
Ordering Code

PVEL **--**

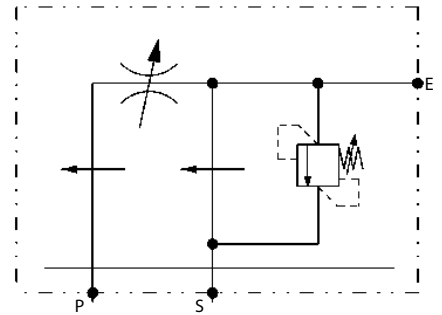
Size BSP	
02	3/8
03	1/2
04	3/4
05	1

Ordering Code Example: PVEL03 = 1/2 BSP.

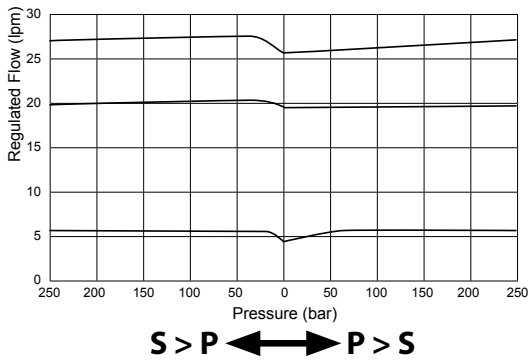
Dimensions



Hydraulic Symbol



Curves



Features

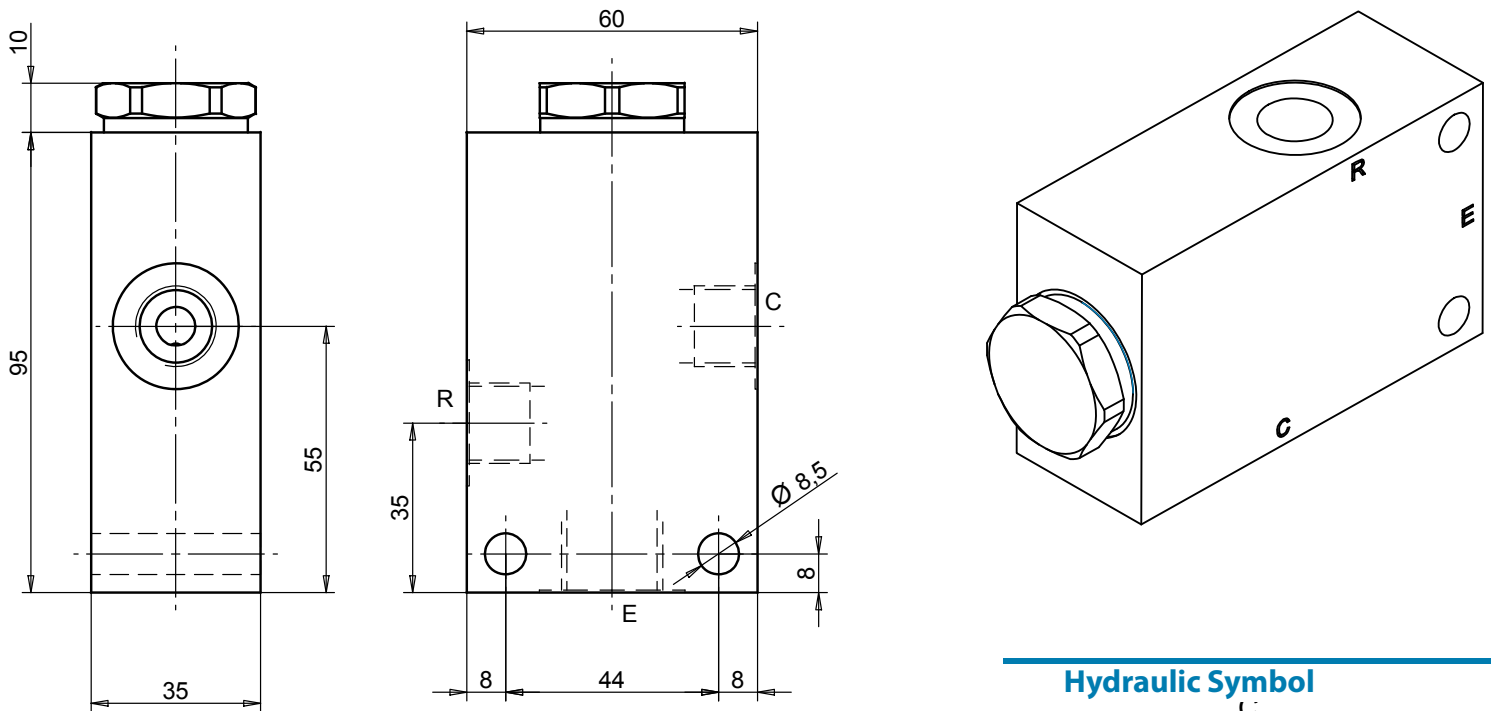
Max Inlet Flow	50 lpm
Max Adj. Flow	40 lpm
Max Pressure	260 bar
Port Sizes	G 3/8"

Materials: Aluminium manifold.

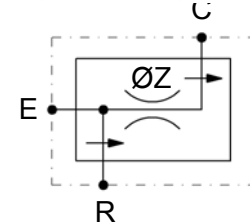
Ordering Code

PVELP02

Dimensions



Hydraulic Symbol



Materials: Zinc plated steel cartridge, hardened steel inner parts.
Aluminium manifold.

Features

Max Pressure (bar)	210 (Alum) / 350 (Steel)
Max Flow (lpm)	60
Ports	E: G 1/2 R-C: G 3/8

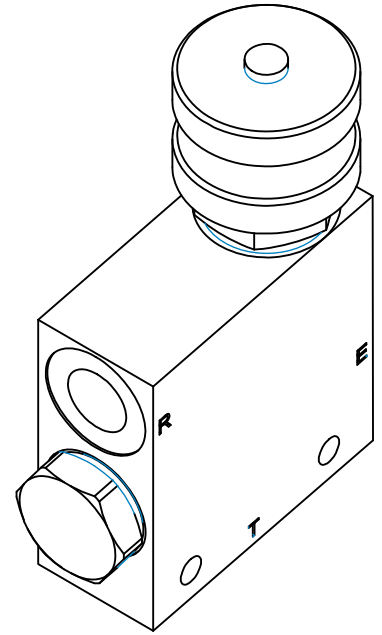
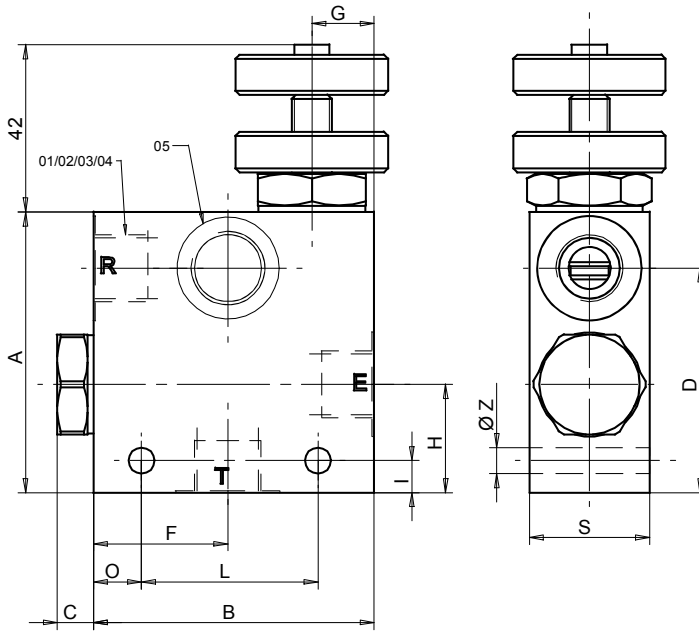
Qc (lpm)	1,2	2,8	5	7,5	9,5	11	16	20	23
Z (mm)	1	1,5	2	2,5	2,8	3	3,5	3,8	4

Ordering Code

PVELQF		--	
Size BSP			
02			3/8

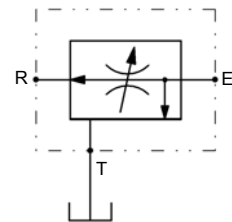
Ordering Code Example: PVELQF02QC5 - fixed setting 5 lpm.

Dimensions

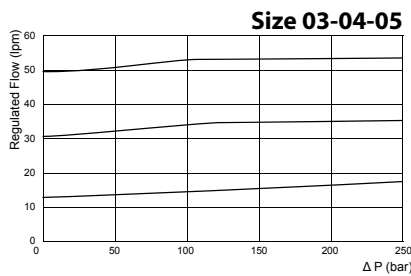
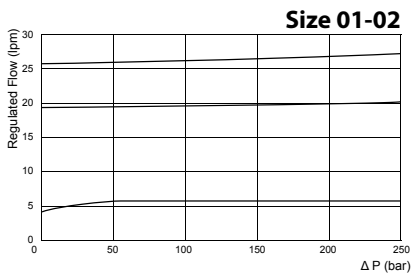


Size	E-R-T	A	B	C	D	F	G	H	I	L	O	S	Z
01	1/4	70	70	9	56	33,5	15,5	27	8	44	12	30	6,5
02	3/8	70	70	9	56	33,5	15,5	27	8	44	12	30	6,5
03	1/2	90	90	24	72	39	20	30	6	64	13	40	6,5
04	3/4	110	110	24	87	44	30	35	7	88	10	50	8,5
05	1	110	110	37,5	87	45	28	46	10	88	10	50	8,5

Hydraulic Symbol



Curves



Features

Size	01	02	03	04	05
Max Pressure (bar)	210				
Ports E-R-T	G 1/4	G 3/8	G 1/2	G 3/4	1"
QE max (lpm)	40	40	90	150	280
QR max (lpm)	25	25	55	90	190

Materials: Aluminium body, hardened steel inner parts.

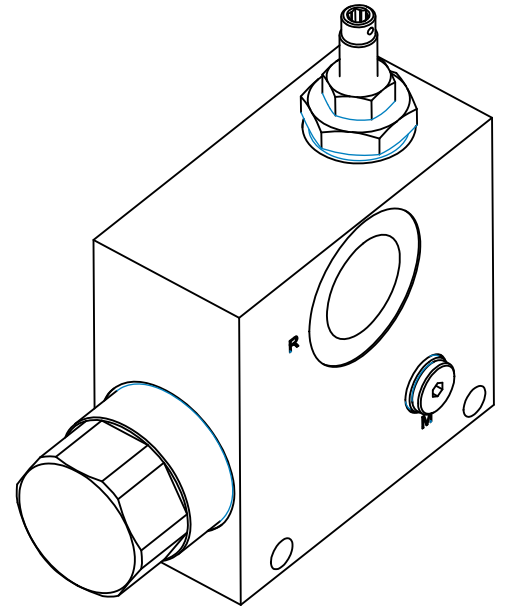
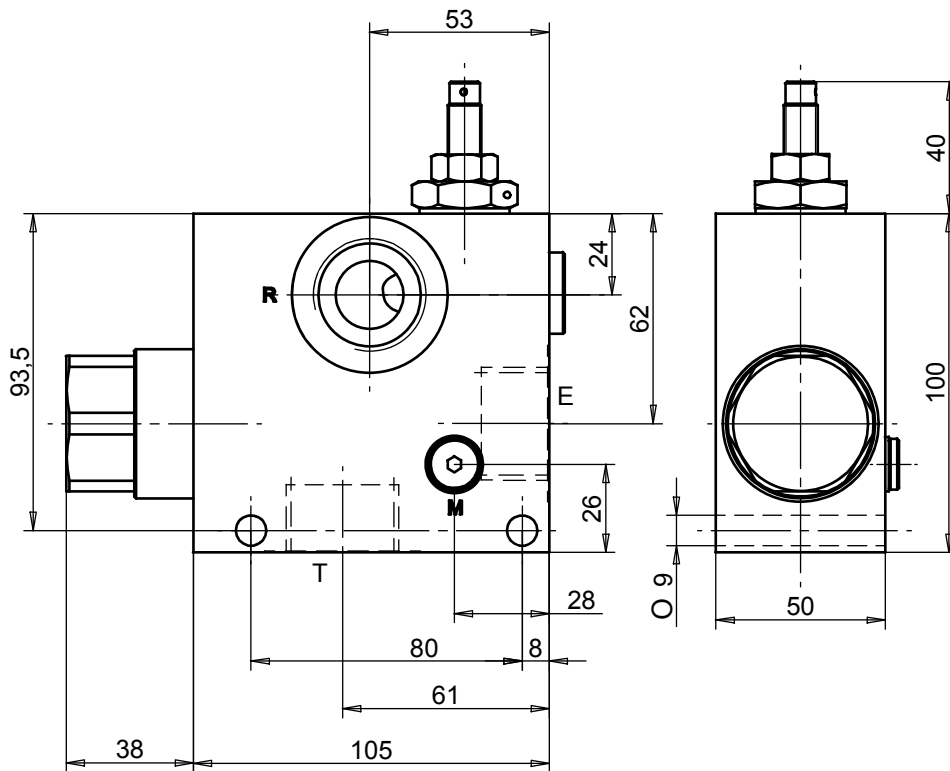
Ordering Code

PVET **--**

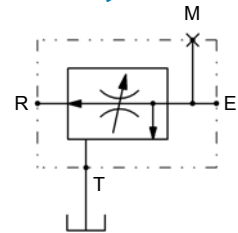
	Size BSP
01	1/4
02	3/8
03	1/2
04	3/4
05	1"

Ordering Code Example: PVET03 = 1/2 BSP.

Dimensions



Hydraulic Symbol



Features

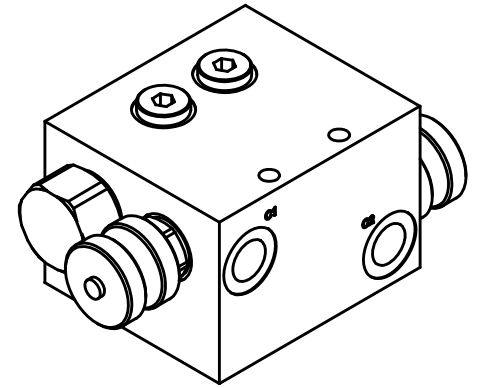
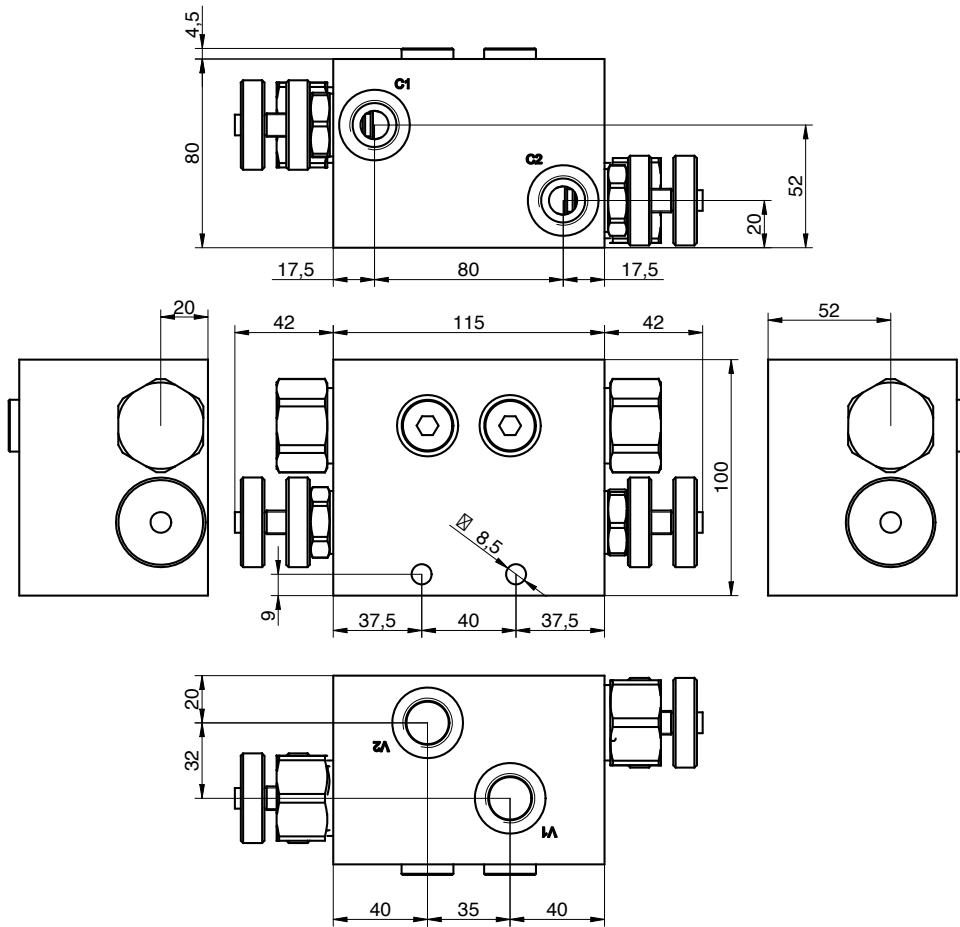
Max Pressure (bar)	350
QE max (lpm)	280
QE max (lpm)	190
Ports	E-R-T: G 1 M: G 1/8

Materials: Zinc plated steel manifold, hardened steel inner parts.

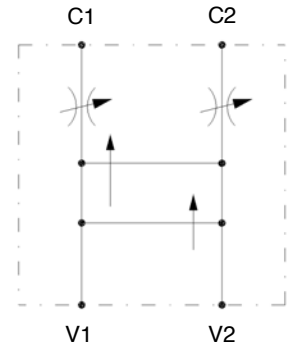
Ordering Code

PVETIH 05

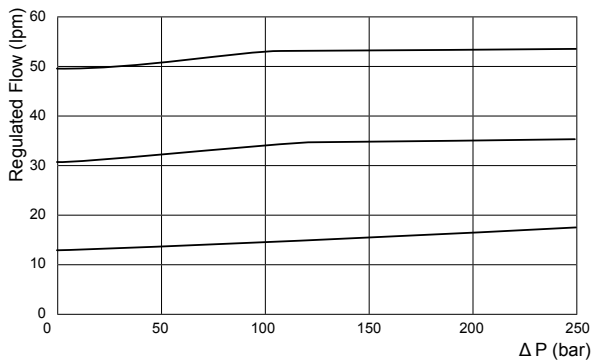
Dimensions



Hydraulic Symbol



Curves



Features

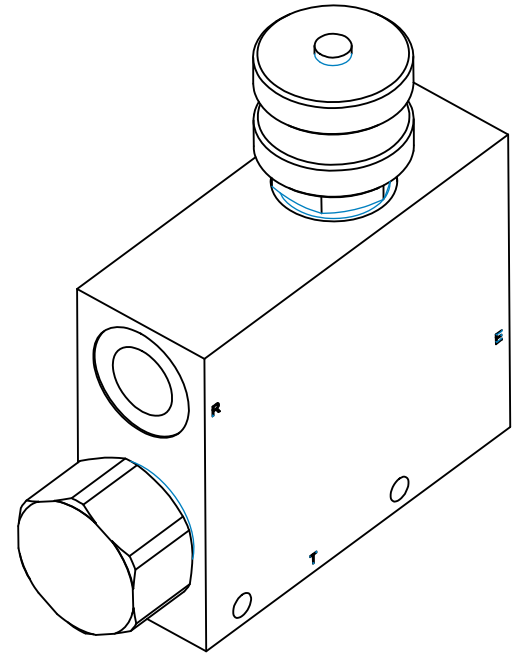
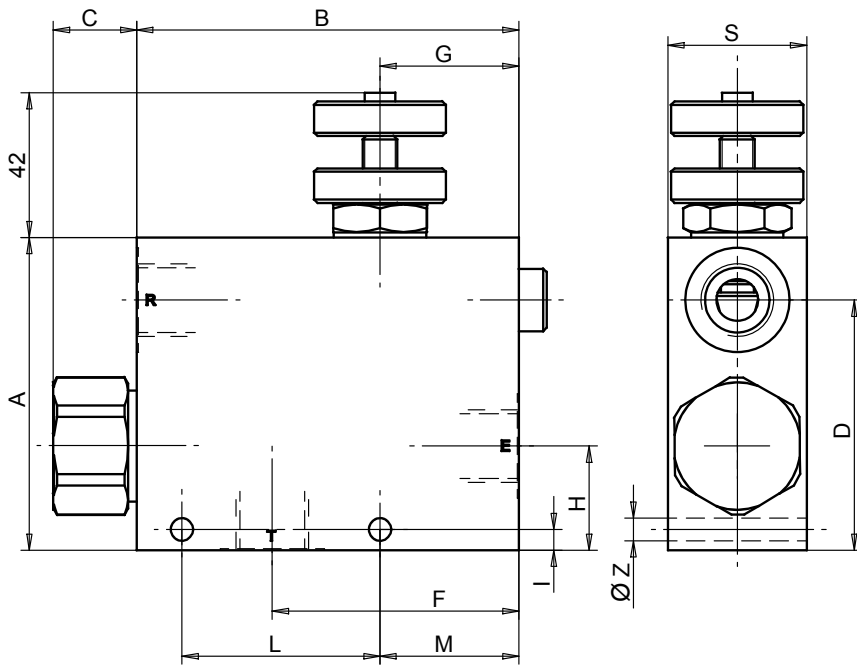
Max Flow QE	90 lpm
Max Flow QR	55 lpm
Max Pressure	260 bar
Port Sizes	V1 - V2: G 1/2 C1 - C2: G 1/2

Materials: Aluminium manifold.

Ordering Code

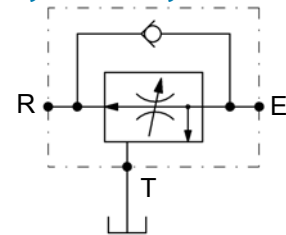
PVETDE03

Dimensions



Size	A	B	C	D	F	G	H	I	L	M	S	Z
02	90	110	24	72	71	40	30	6	57	40	40	6,5
03	90	110	24	72	71	40	30	6	57	40	40	6,5
04	110	130	24	87	86	50	35	7	70	50	50	8,5

Hydraulic Symbol



Features

Size	02	03	04
Max Pressure (bar)	210		
Ports E-R	G 3/8	G 1/2	G 3/4
QE max (lpm)	55	90	150
QR max (lpm)	30	90	150

Materials: Zinc plated steel cartridge, hardened steel inner parts.
Aluminium manifold.

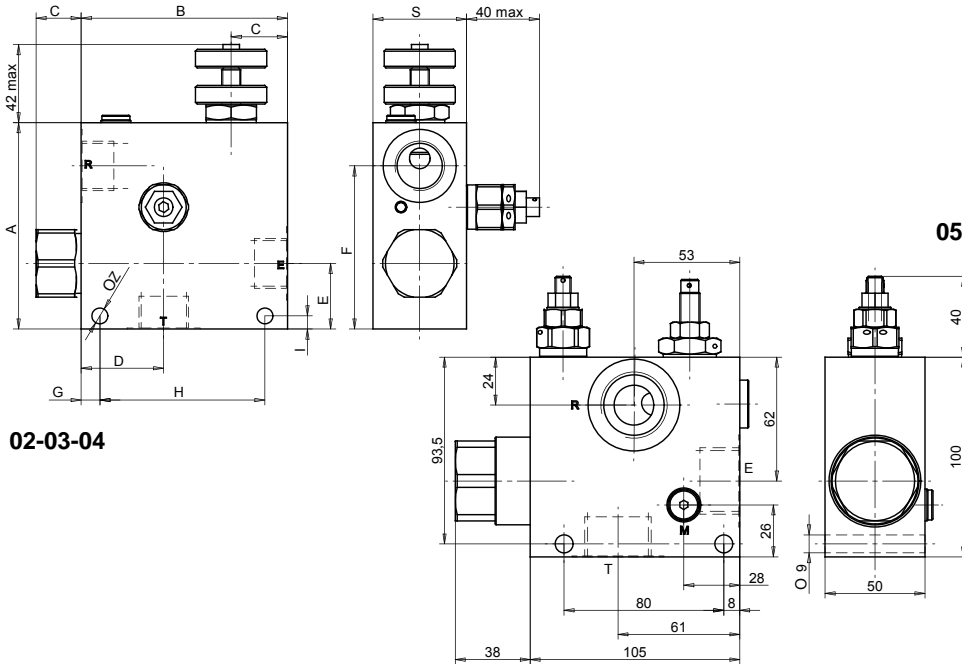
Ordering Code

PVETR - -

	Size BSP
02	3/8
03	1/2
04	3/4

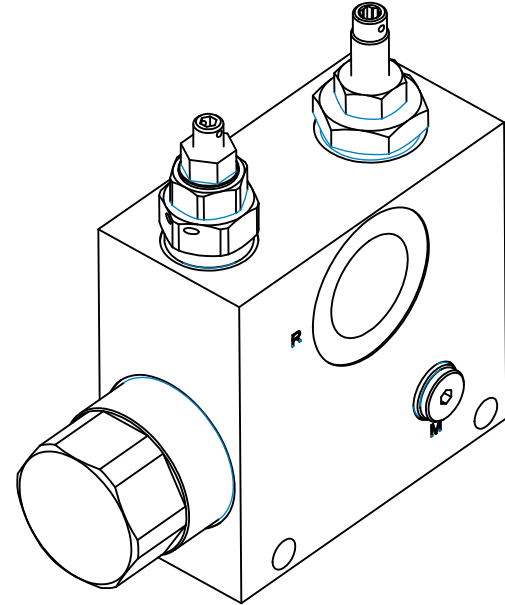
Ordering Code Example: PVETR03 - 1/2" BSP Ports.

Dimensions



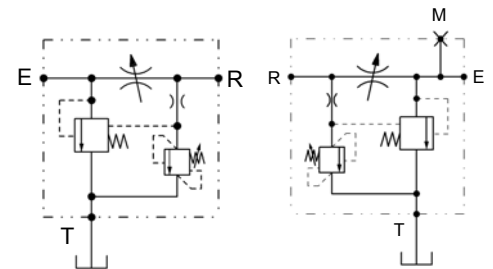
02-03-04

05



Size	A	B	C	D	E	F	G	H	I	S	Z
02	90	90	20	39	30	72	13	64	6	40	6,5
03	90	90	20	39	30	72	13	64	6	40	6,5
04	110	110	30	44	35	87	10	88	7	50	8,5
05	Refer to dimensioned drawing above										

Hydraulic Symbol



Features

Size	02	03	04	05
Max Pressure (bar)	210 Alum	210 Alum	210 Alum	350 Steel
QE max (lpm)	55	90	150	280
QR max (lpm)	30	55	90	190
Ports	E-R-T: G1 / M:G 1/8			

Materials: Zinc plated steel manifold, hardened steel inner parts.

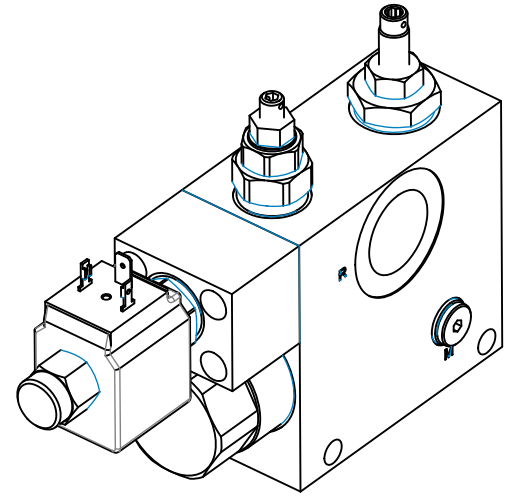
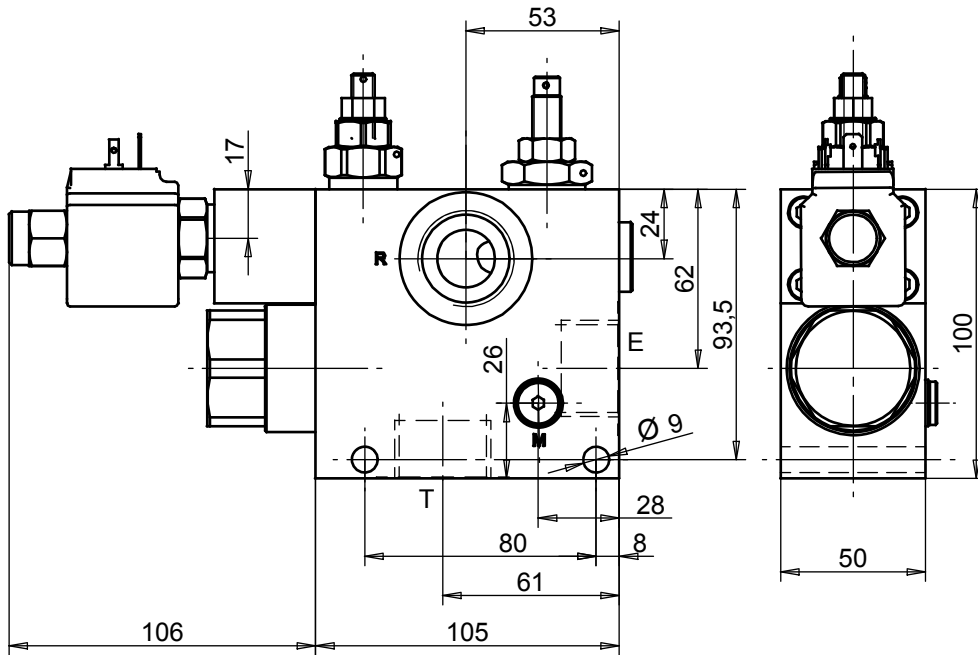
Ordering Code

PVETP - -

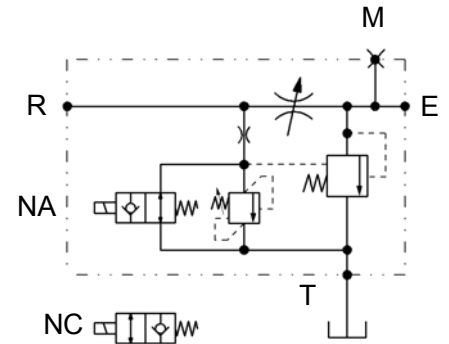
	Size BSP
02	3/8
03	1/2
04	3/4
05	1

Ordering Code Example: PVETP04 - 3/4" BSP Ports.

Dimensions



Hydraulic Symbol



Features

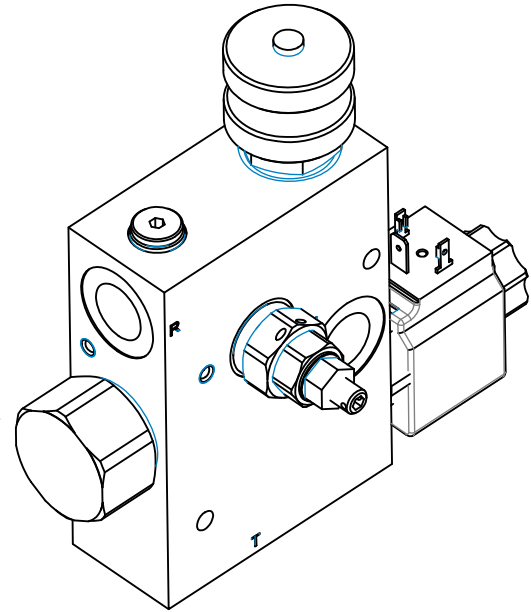
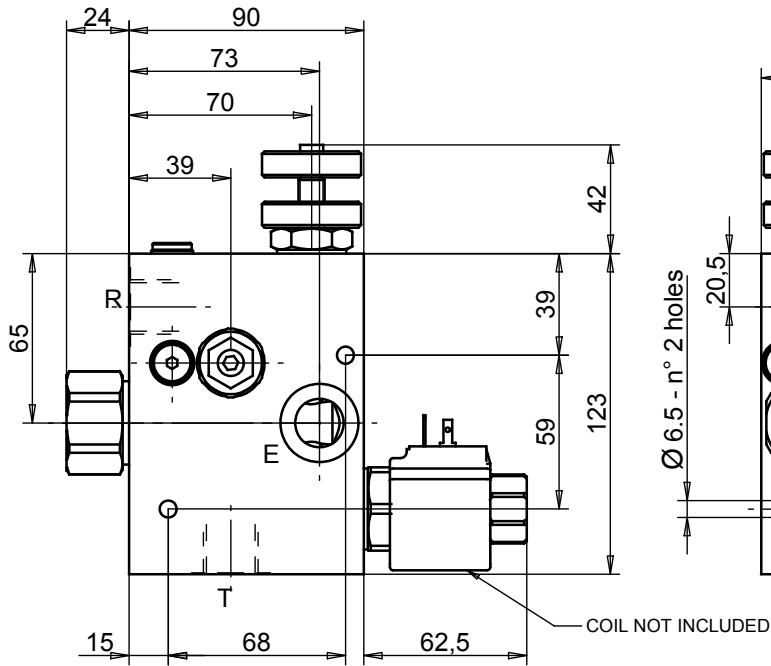
Max Pressure (bar)	350
QE max (lpm)	280
QR max (lpm)	190
Ports	E-R-T: G 1 M: G 1/8

Materials: Zinc plated steel manifold, hardened steel inner parts.

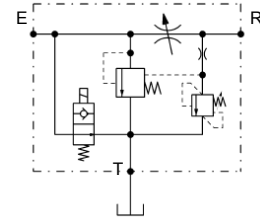
Ordering Code

PVETPE 05

Dimensions



Hydraulic Symbol



Features

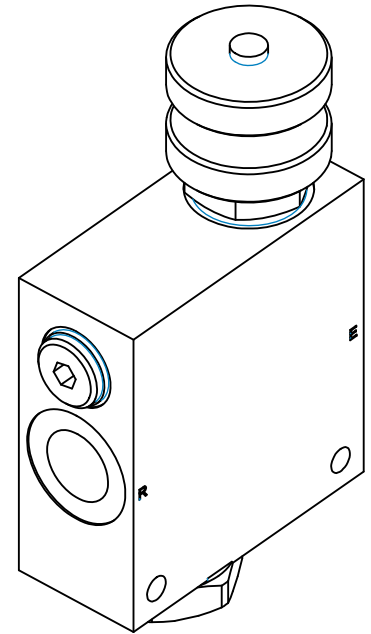
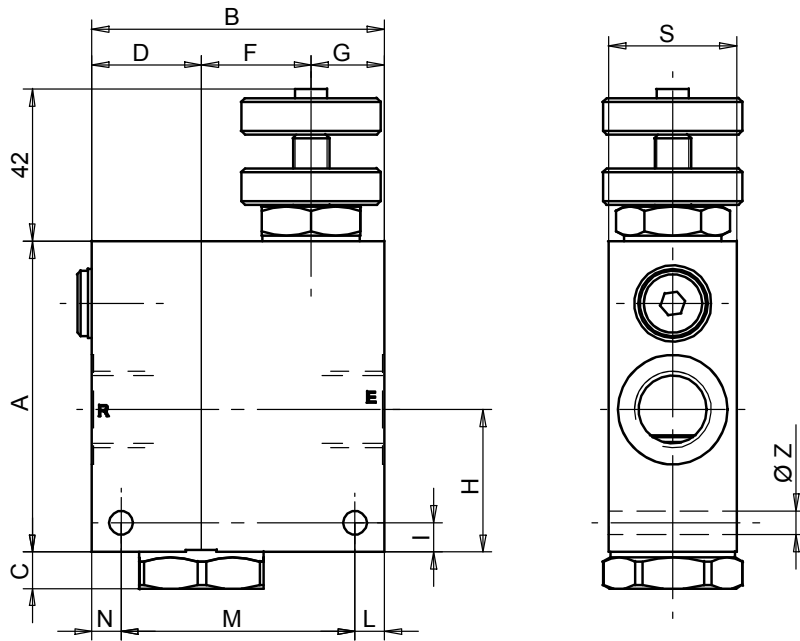
Size	03
Max Pressure (bar)	210
Max adm. inlet flow (lpm)	90
Max delivery in priority flow (lpm)	55
Ports	E-R-T: G 1/2

Materials: Zinc plated steel cartridge, hardened steel inner parts.
Aluminium manifold.

Ordering Code

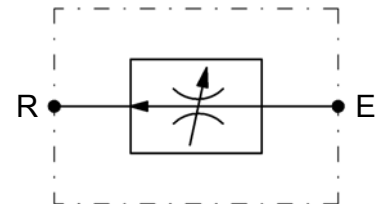
PVETPB Y 03

Dimensions



Size	A	B	C	D	F	G	H	I	L	M	N	S	Z
01	70	70	9	29,5	23,5	17	29	8	10	50	10	30	6,5
02	70	70	9	29,5	23,5	17	29	8	10	50	10	30	6,5
03	85	80	10	30	30	20	39	8	8	64	8	35	6,5
04	100	100	10	36,5	38,5	25	44	10	10	82	8	50	8,5
05	108	108	10	41,5	36,5	30	46,5	10	18	82	8	50	8,5

Hydraulic Symbol



Features

Size	01	02	03	04	05
Max Pressure (bar)	210				
QE (lpm)	25				
Ports E-R	G 1/4	G 3/8	G 1/2	G 3/4	G 1
QE max (lpm)	25	25	55	90	190

Materials: Zinc plated steel cartridge, hardened steel inner parts. Aluminium manifold.

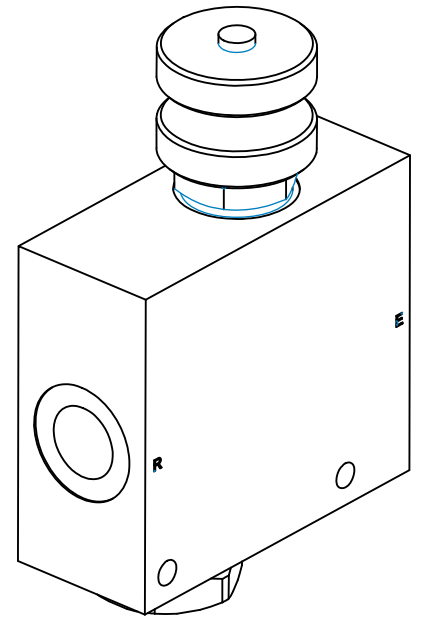
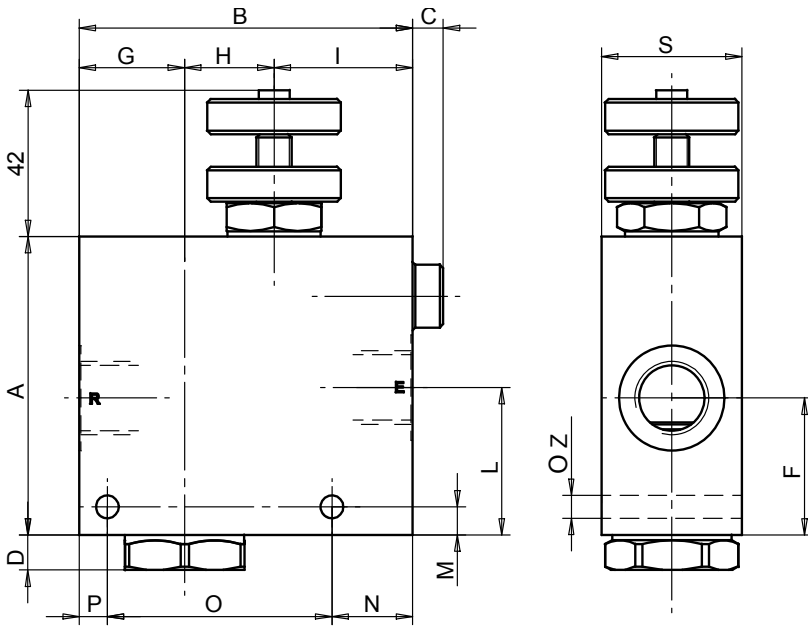
Ordering Code

PVED **--**

	Size BSP
01	1/4
02	3/8
03	1/2
04	3/4
05	1

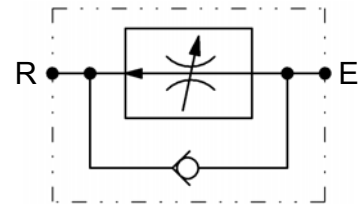
Ordering Code Example: PVED02 - 3/8" BSP Ports.

Dimensions



Size	A	B	C	D	F	G	H	I	L	M	N	O	P	S	Z
02	85	95	9,5	10	39	30	26	39	43,5	8	23	64	8	40	6,5
03	85	95	9,5	10	39	30	26	39	42	8	23	64	8	40	6,5
04	100	130	15,5	10	44	35	40	55	46	10	40	82	8	50	8,5
05	110	145	11,5	10	46	40	40	65	44	10	55	82	8	50	8,5

Hydraulic Symbol



Features

Size	02	03	04	05
Max Pressure (bar)	210			
Ports E-R	G 3/8	G 1/2	G 3/4	G 1
QE max (lpm)	30	55	90	190

Materials: Zinc plated steel cartridge, hardened steel inner parts.
Aluminium manifold.

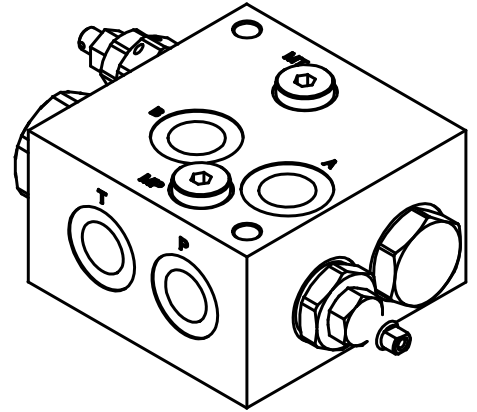
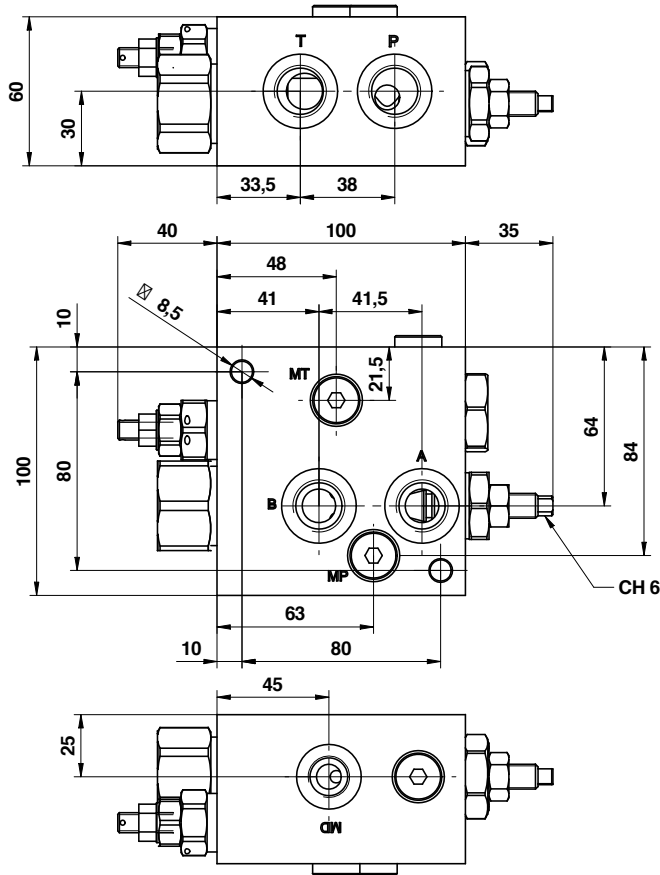
Ordering Code

PVEDR **--**

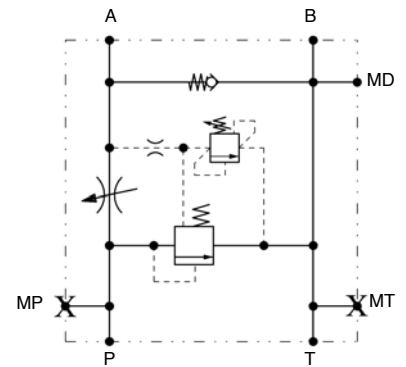
	Size BSP
02	3/8
03	1/2
04	3/4
05	1

Ordering Code Example: PVEDR03 - 1/2" BSP Ports.

Dimensions



Hydraulic Symbol



Curves

Features

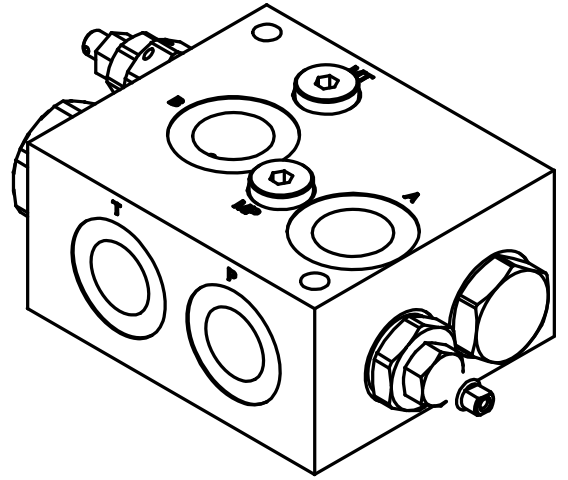
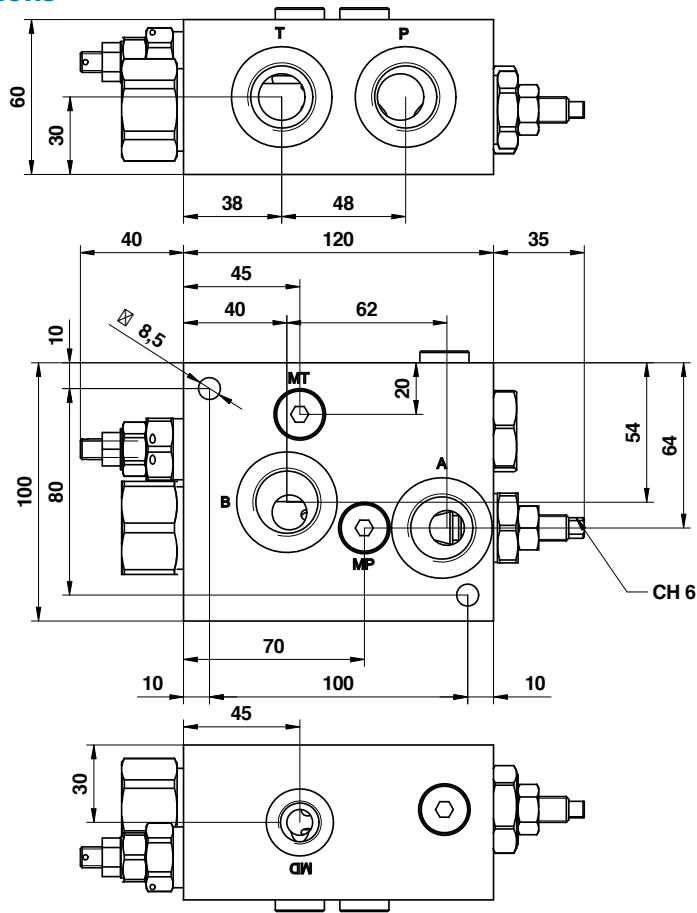
Max Flow	60 lpm
Max Pressure	250 bar
Port Sizes	A - B: G 1/2 P - T: G 1/2 MP - MT: G 1/4 MD: G 3/8

Materials: Aluminium manifold.

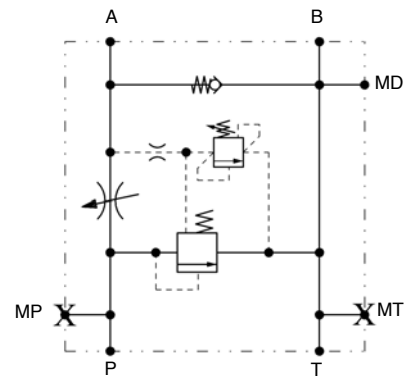
Ordering Code

PVETPAC03

Dimensions



Hydraulic Symbol



Curves

Features

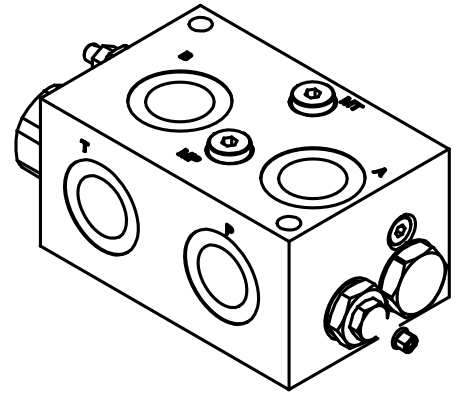
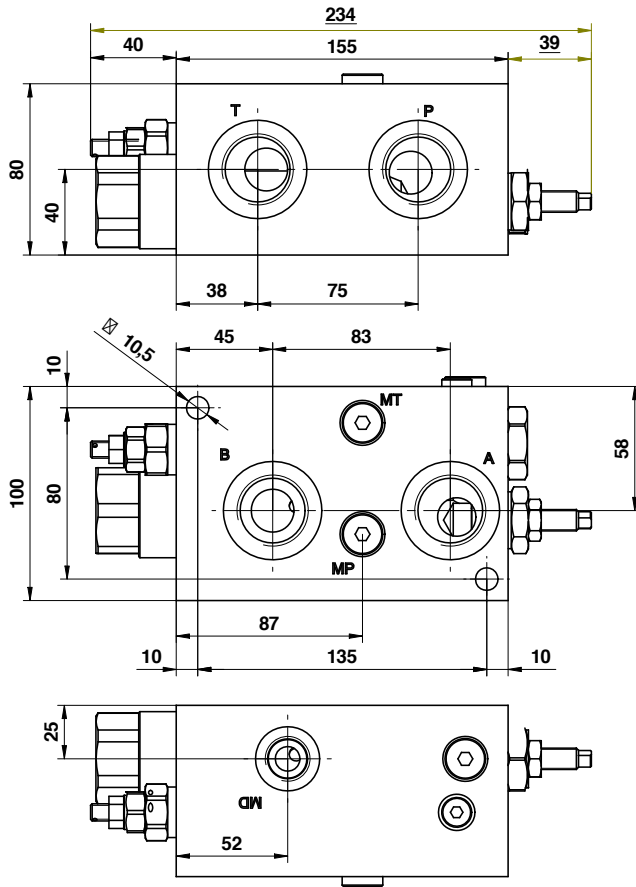
Max Flow	120 lpm
Max Pressure	210 bar
Port Sizes	A - B: G 3/4 P - T: G 3/4 MP - MT: G 1/4 MD: G 3/8

Materials: Aluminium manifold.

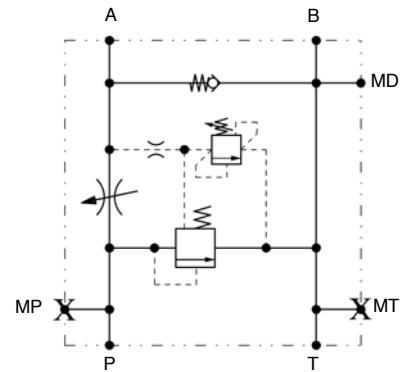
Ordering Code

PVETPAC04

Dimensions



Hydraulic Symbol



Curves

Features

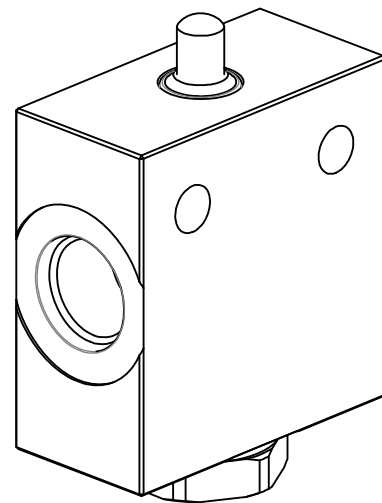
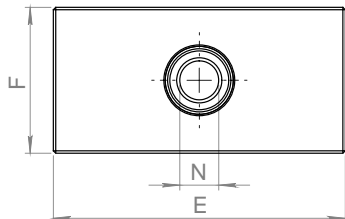
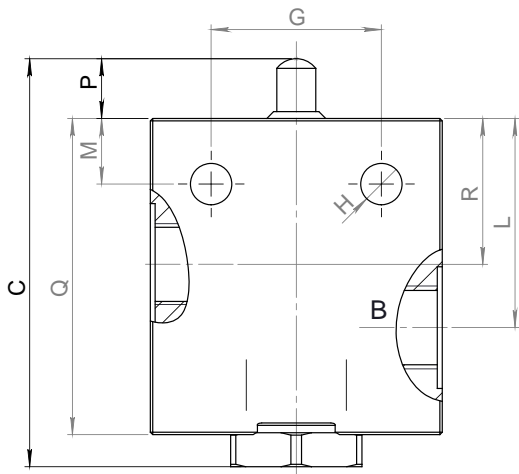
Max Flow	280 lpm
Max Pressure	350 bar
Port Sizes	A - B: G 1 P - T: G 1 MP - MT: G 1/4 MD: G 1/2

Materials: Aluminium manifold (std) - Zinc. plated steel (on request)

Ordering Code

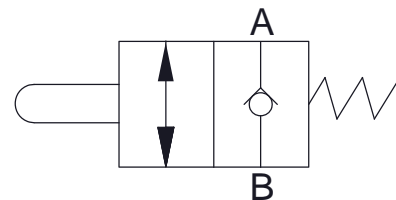
PVETPAC05

Dimensions



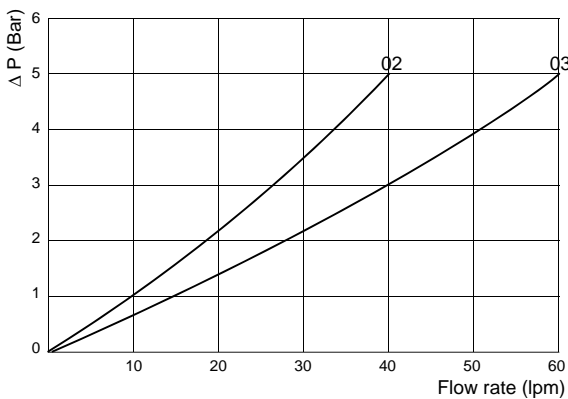
Size	C	D BSP	E	F	G	H	L	M	N	P	Q	R	Hex	Weight kg
02	83,9	3/8	60	30	35	8,5	43	13,5	8	12,3	63	30	27	0,80
03	96	1/2	70	35	40	8,5	51	13,5	12	12,3	75	37	32	1,28

Hydraulic Symbol



Curves

B → A



Features

Size	02	03
Max Pressure (bar)	350	350
Max Flow Rate (lpm)	30	60
Stroke (mm)	10	12
Spring Bias (Nm)	20	20

Materials: Zinc plated steel body, hardened steel inner parts.

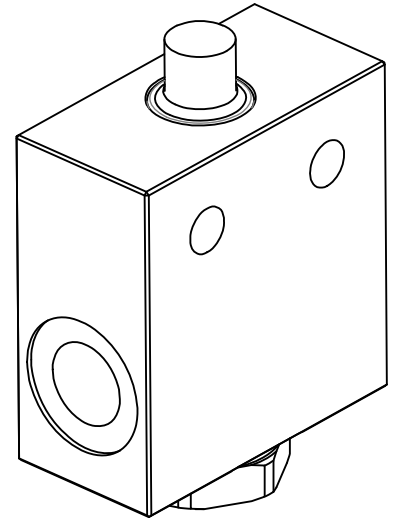
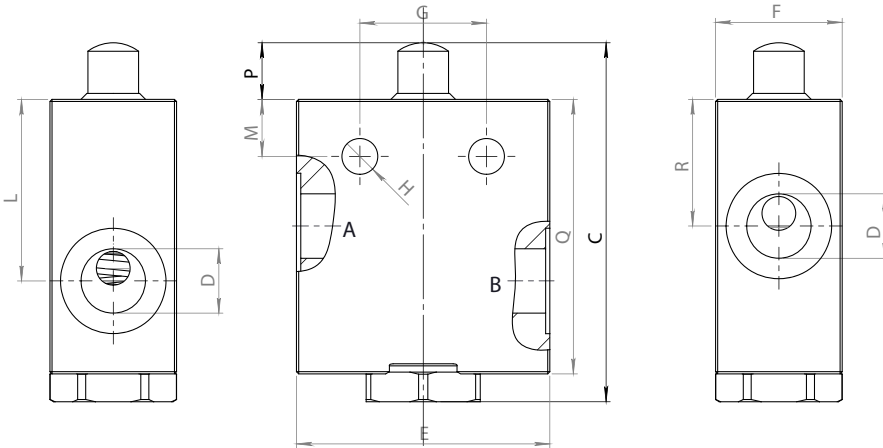
Ordering Code

ESCS **--**

	Size BSP
02	3/8
03	1/2

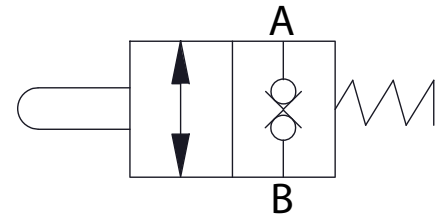
Ordering Code Example: ESCS02 = 3/8 BSP.

Dimensions



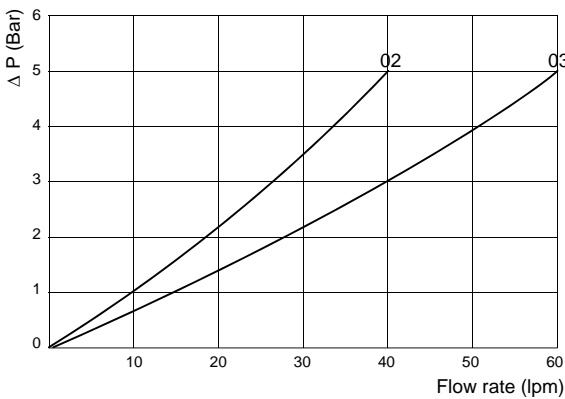
Size	C	D BSP	E	F	G	H	L	M	N	P	Q	R	Hex	Weight kg
02	85	3/8	60	30	30	8,5	43	13,5	12	13,4	65	30	27	0,81
03	97	1/2	70	35	40	8,5	51	13,5	16	13,3	75	37	32	1,28

Hydraulic Symbol



Curves

B ↔ **A**



Features

Size	02	03
Max Pressure (bar)	350	350
Max Flow Rate (lpm)	30	60
Stroke (mm)	10	12
Spring Bias (Nm)	20	20

Materials: Zinc plated steel body, hardened steel inner parts.

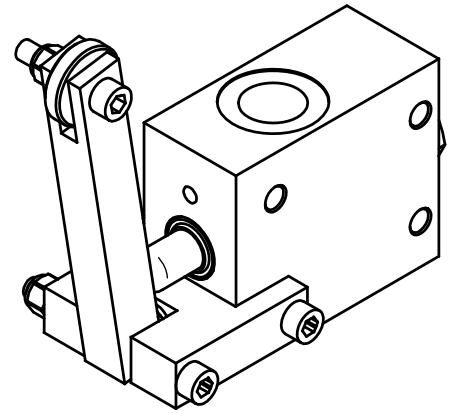
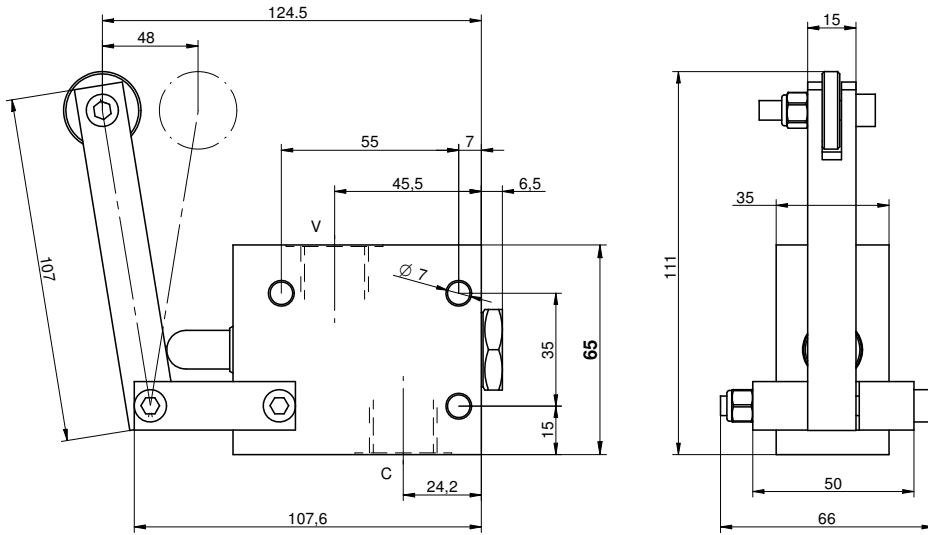
Ordering Code

ESCD **--**

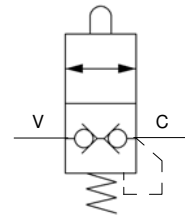
	Size BSP
02	3/8
03	1/2

Ordering Code Example: ESCD02 = 3/8 BSP.

Dimensions

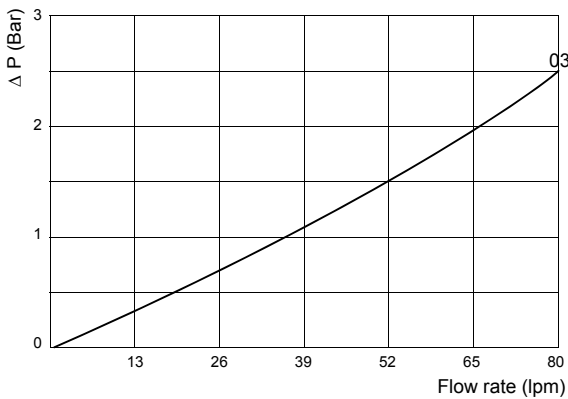


Hydraulic Symbol



Curves

V ↔ C



Features

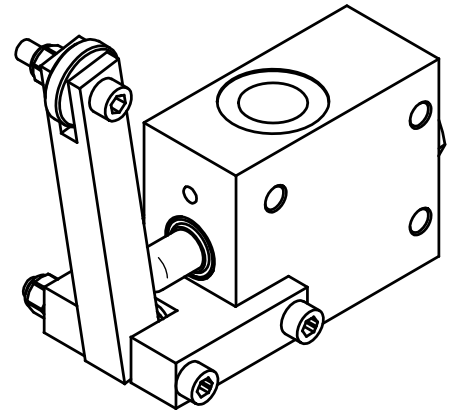
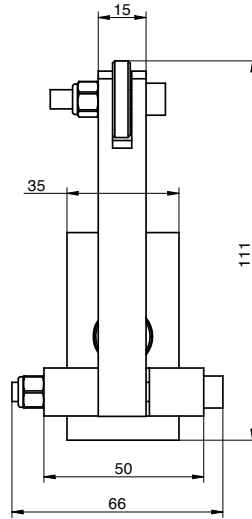
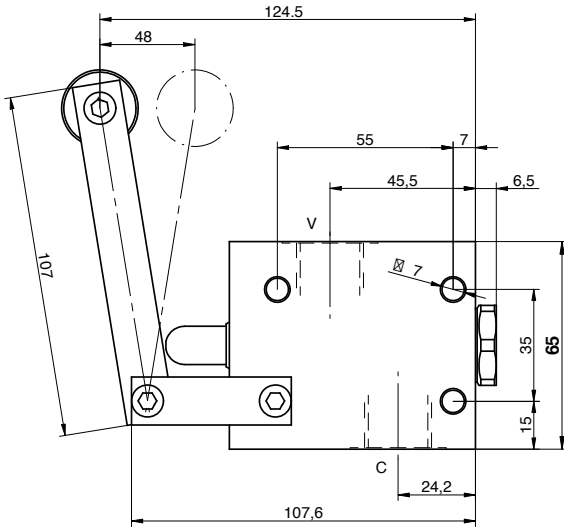
Max Flow	80 lpm
Max Pressure	400 bar
Port Sizes	V - C: G 1/2

Materials: Zinc plated steel body

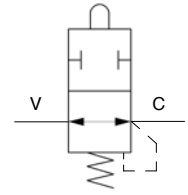
Ordering Code

ESCDCM03

Dimensions

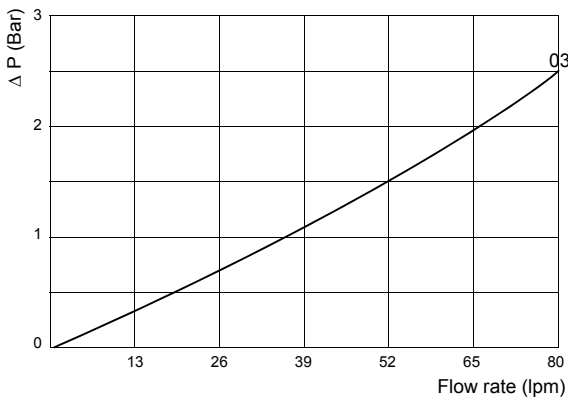


Hydraulic Symbol



Curves

V ↔ C



Features

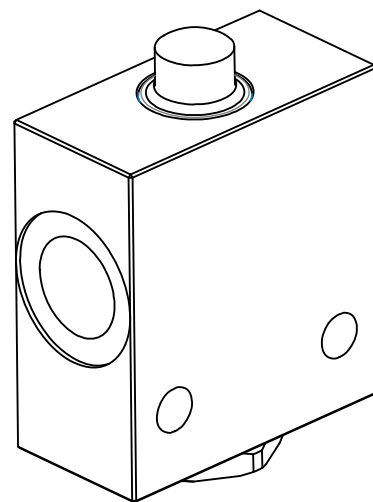
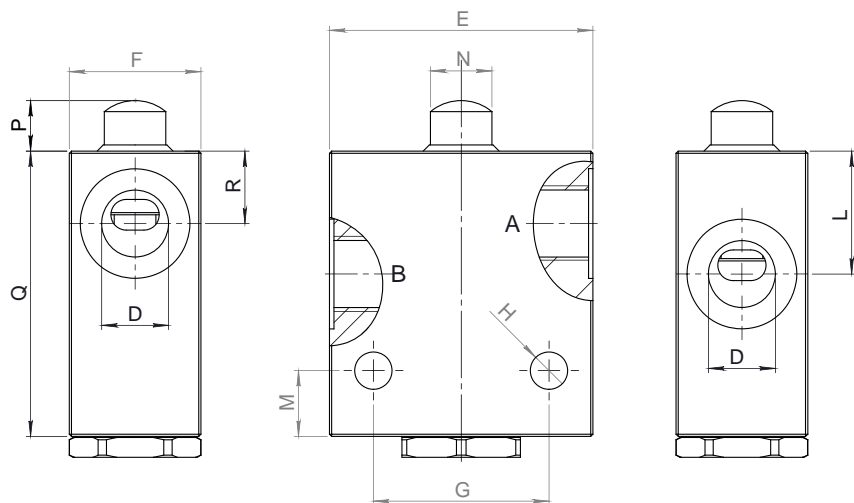
Max Flow	80 lpm
Max Pressure	400 bar
Port Sizes	V - C: G 1/2

Materials: Zinc plated steel body

Ordering Code

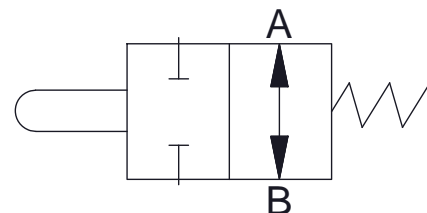
ESOPCM03

Dimensions



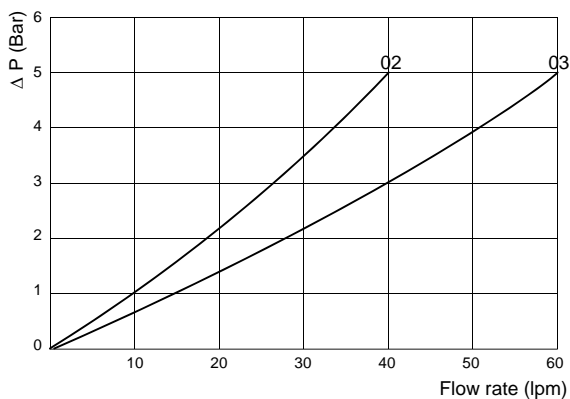
Size	C	D BSP	E	F	G	H	L	M	N	P	Q	R	Weight kg
02	81,25	3/8	60	30	40	8,5	28	15	14	11,5	65	16,5	0,78
03	81,25	1/2	60	30	40	8,5	28	15	14	11,5	65	16,5	0,81

Hydraulic Symbol



Curves

B ↔ **A**



Features

Size	02	03
Max Pressure (bar)	350	350
Max Flow Rate (lpm)	30	60
Stroke (mm)	12	12
Spring Bias (Nm)	100	100

Materials: Zinc plated steel body, hardened steel inner parts.

Ordering Code

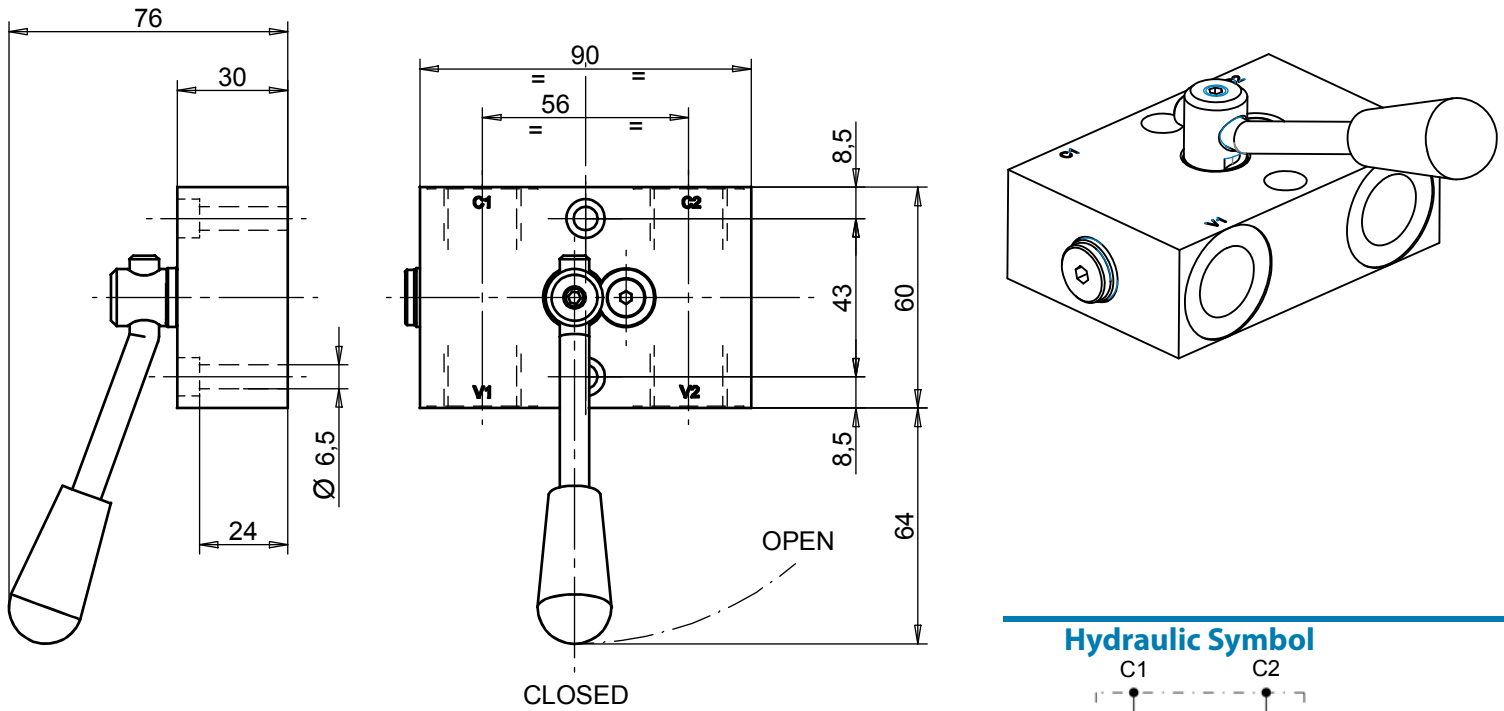
ESOP

--

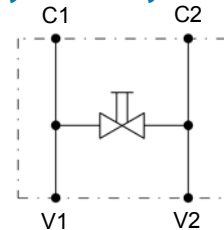
	Size BSP
02	3/8
03	1/2

Ordering Code Example: ESOP02 = 3/8 BSP.

Dimensions



Hydraulic Symbol



Features

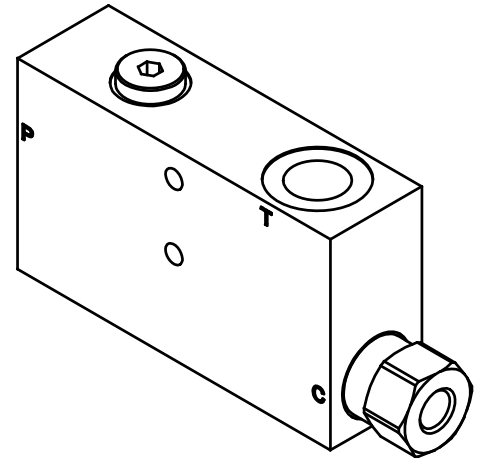
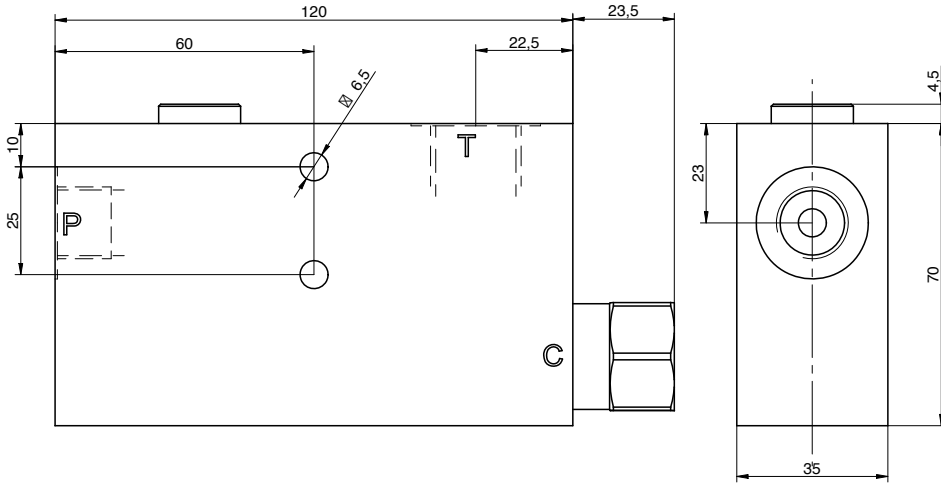
Max Pressure (bar)	210
Max Flow (lpm)	35
Ports (bsp)	1/2

Materials: Zinc plated steel cartridge, hardened steel inner parts.
Aluminium manifold.

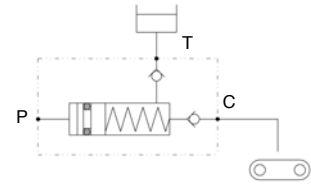
Ordering Code

VDF 03

Dimensions



Hydraulic Symbol



Curves

Features

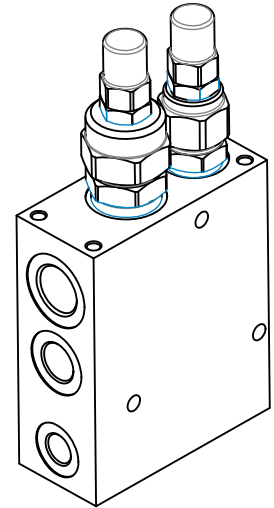
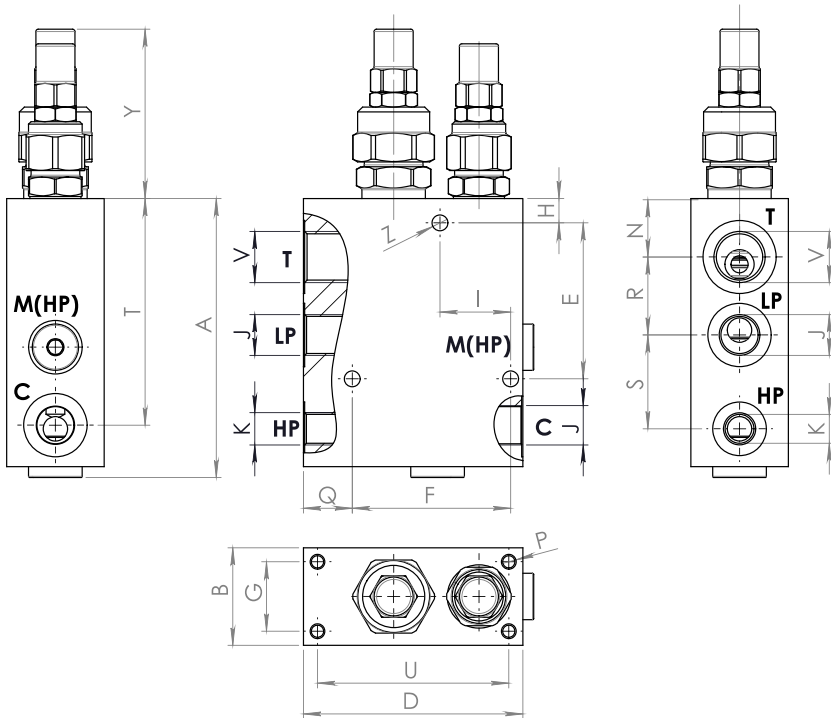
Max Pressure	250 bar
Port Sizes	P: G 3/8 C: G 1/4 T: G 1/2

Materials: Aluminium manifold

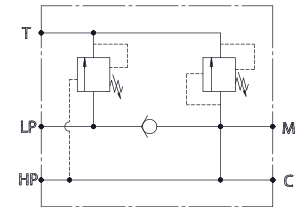
Ordering Code

CSLV02

Dimensions

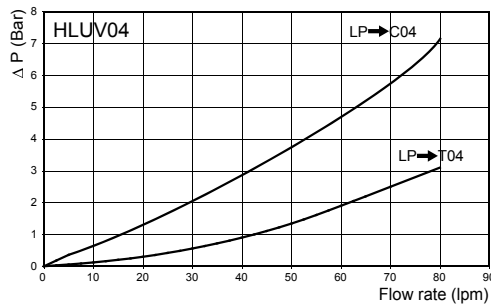
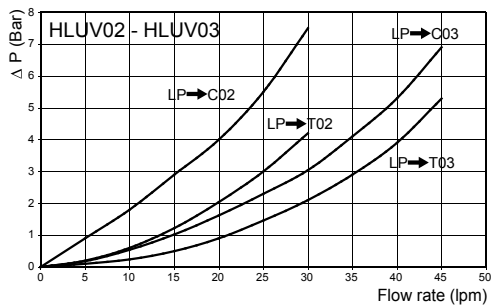


Hydraulic Symbol



Size	A	B	D	E	F	G	H	I	J BSP	K BSP	V BSP	N	P	Q	R	S	T	U	Y	Z	Weight kg
02	110	40	90	64	65	28,5	10	29	3/8	1/4	1/2	22	M6	20	36	36	94,5	78,5	69,5	6,5	2,42
03	110	40	90	64	65	28,5	10	29	1/2	3/8	3/4	22	M6	20	36	36	94,5	78,5	69,5	6,5	2,10
04	125	50	110	65	80	38	10	37	3/4	1/2	1	22	M6	25	43	40	101	98	72	6,5	5,15

Curves



Features

SIZE	02	03	04
Max Pressure (bar)	350	350	350
Max Flow Rate LP \rightarrow C (lpm)	30	45	80

Materials: Zinc plated steel cartridge, hardened steel inner parts.
Steel manifold.

Ordering Code

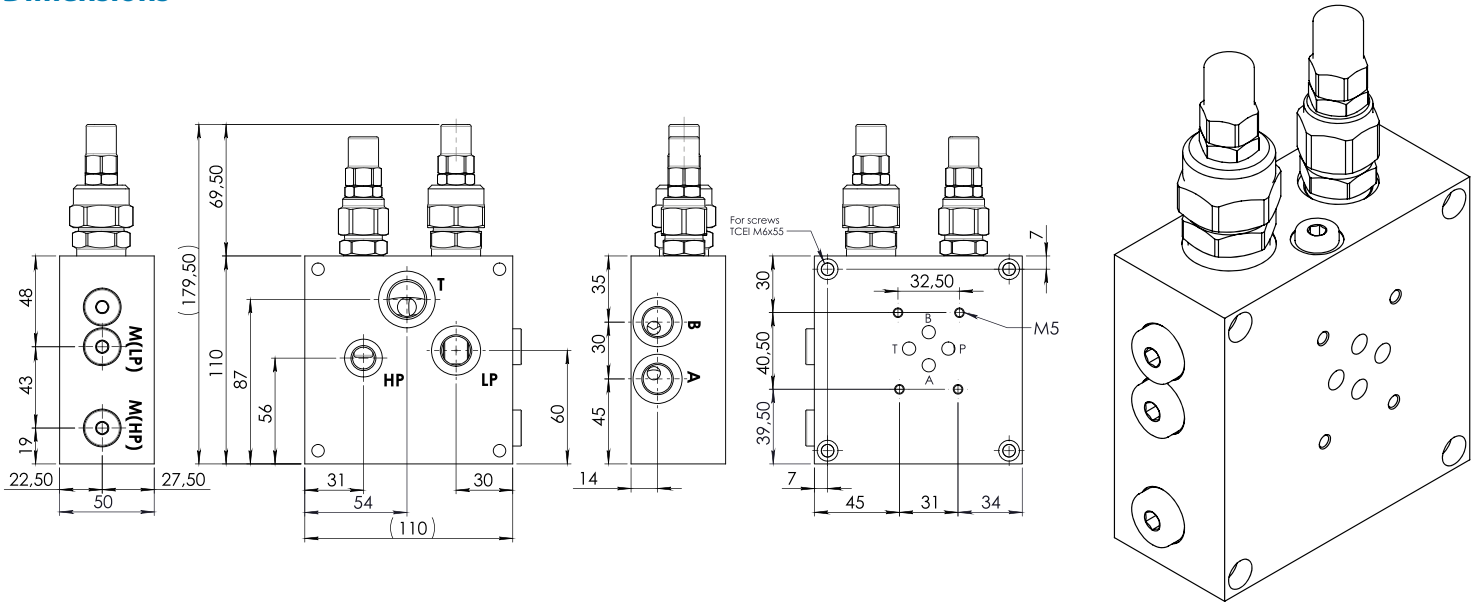
HLUV -- -- --

Port Size BSP		LP - Spring (bar)		
02	3/8	02	03	04
03	1/2	10	5-50	5-120
04	3/4	20	20-260	50-350

HP - Spring (bar)			
	02	03	04
20	40-210	40-210	20-260
30	100-350	100-350	120-350

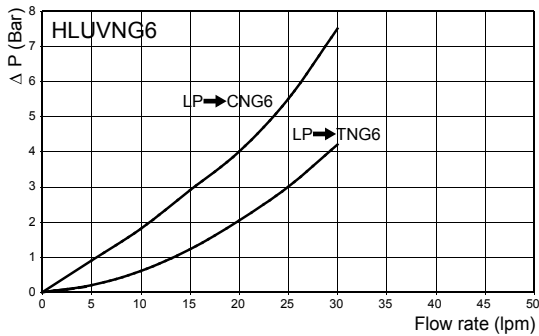
Ordering Code Example: HLUV032030 = Hi-Low 1/2 BSP, LP valve 20-260 bar, HP valve 100-350 bar.

Dimensions

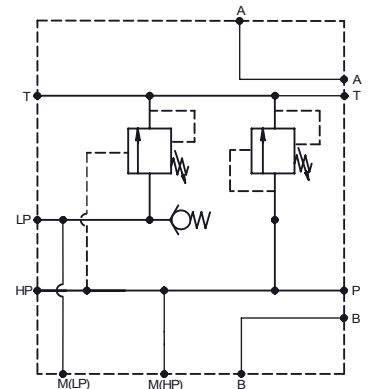


HP BSP	LP BSP	T BSP	A BSP	B BSP	M(HP) BSP	M(LP) BSP
1/4	3/8	1/2	3/8	3/8	1/4	1/4

Curves



Hydraulic Symbol



Features

Max Flow Rate LP→C (lpm) **30**

Materials: Zinc plated steel cartridge, hardened steel inner parts.
Aluminium manifold.

Ordering Code

HLUV NG6 -- --

LP - Spring (bar)

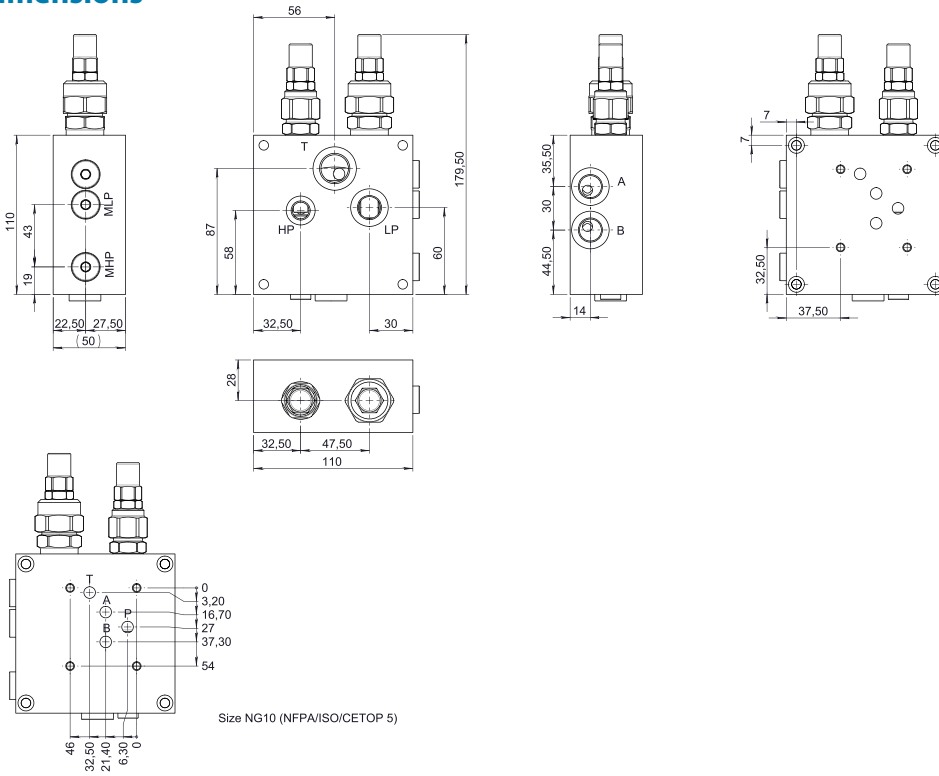
10	5-50
20	20-260

HP - Spring (bar)

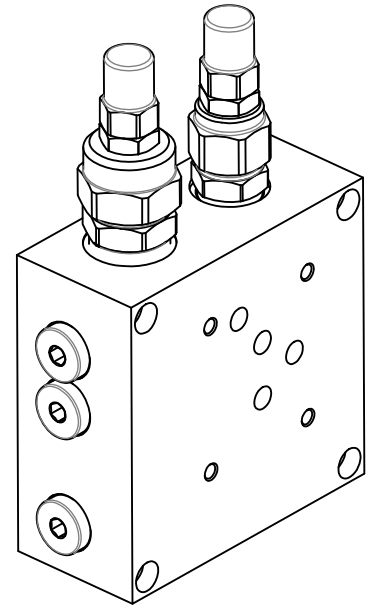
20	40-210
30	100-350

Ordering Code Example: HLUVNG62030 = Hi-Low 1/2 BSP - LP valve 20-260 bar, HP valve 100-350 bar.

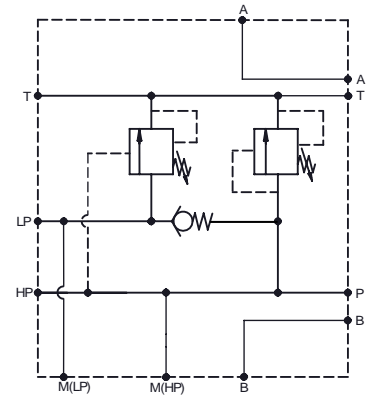
Dimensions



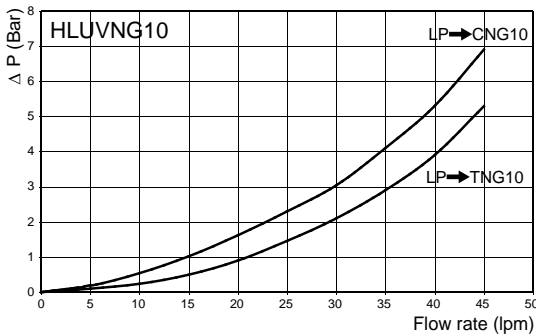
HP BSP	LP BSP	T BSP	A BSP	B BSP	M(HP) BSP	M(LP) BSP
1/4	3/8	1/2	3/8	3/8	1/4	1/4



Hydraulic Symbol



Curves



Features

Max Flow Rate LP→C (lpm) **45**

Materials: Zinc plated steel cartridge, hardened steel inner parts.
Aluminium manifold.

Ordering Code

HLUV NG10 -- --

LP - Spring (bar)

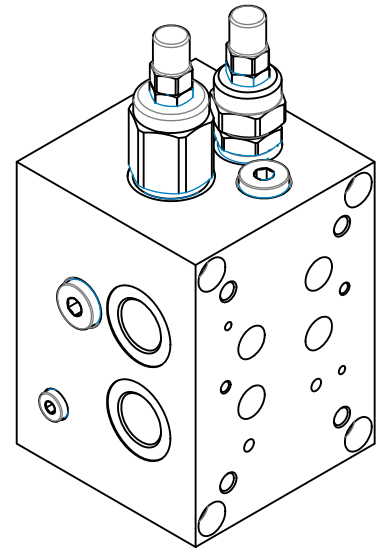
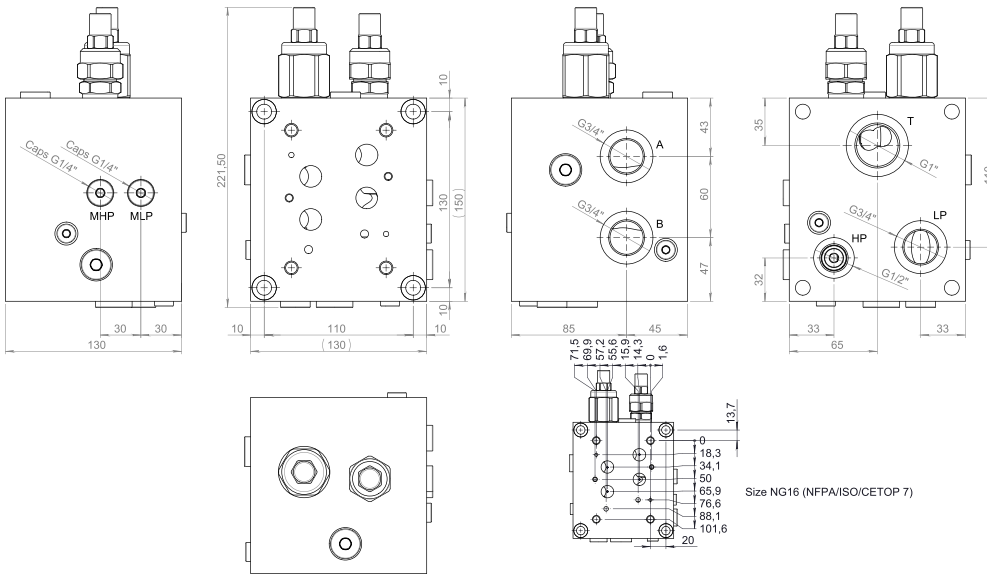
10	5-50
20	20-260

HP - Spring (bar)

20	40-210
30	100-350

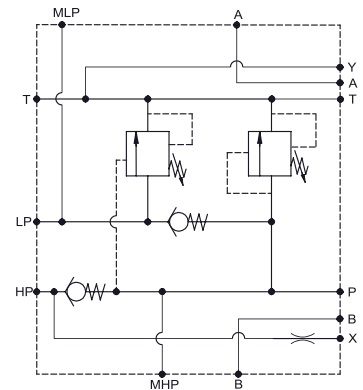
Ordering Code Example: HLUVNG102030 = Hi-Low 1/2 BSP - LP valve 20-260 bar, HP valve 100-350 bar.

Dimensions

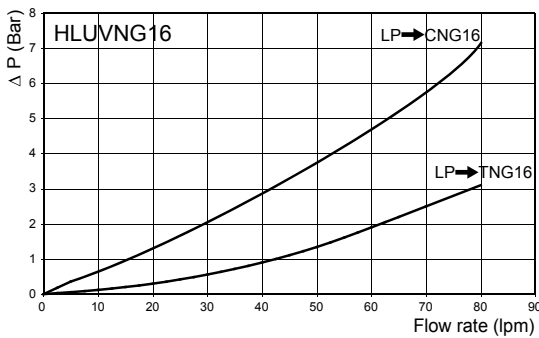


HP BSP	LP BSP	T BSP	A BSP	B BSP	M(HP) BSP	X	Y
1/2	3/4	1	3/4	3/4	1/4	1/4	1/4

Hydraulic Symbol



Curves



Features

Max Flow Rate LP→C (lpm) **80**

Materials: Zinc plated steel cartridge, hardened steel inner parts.
Aluminium manifold.

Ordering Code

HLUV NG16 -- --

LP - Spring (bar)

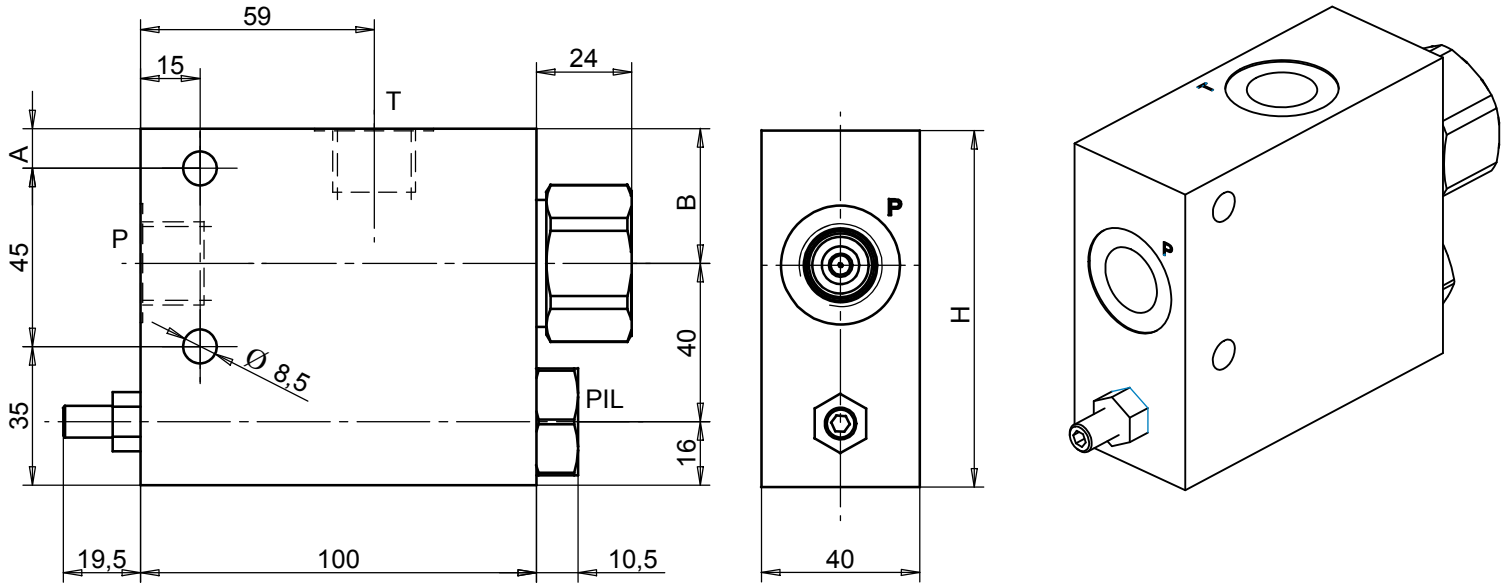
10	5-120
20	50-350

HP - Spring (bar)

20	20-260
30	120-350

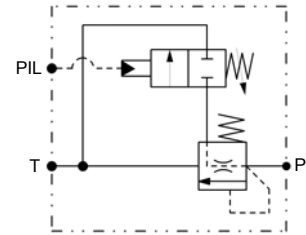
Ordering Code Example: HLUVNG162030 = Hi-Low 1/2 BSP - LP valve 50-350 bar, HP valve 120-350 bar.

Dimensions

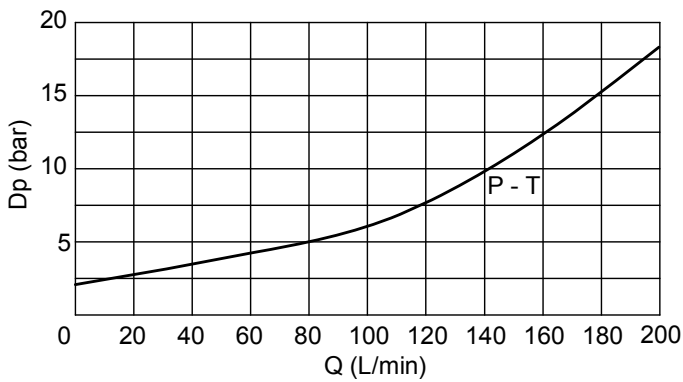


Size	A	B	H	P-T-PIL bsp
03	10	34	90	1/2
04	25	49	105	3/4

Hydraulic Symbol



Curves



Features

Max Pressure	250 bar
Std. Pressure range	100 - 300 bar

Materials: Zinc plated steel cartridge, hardened steel inner parts.
Aluminium manifold.

Ordering Code

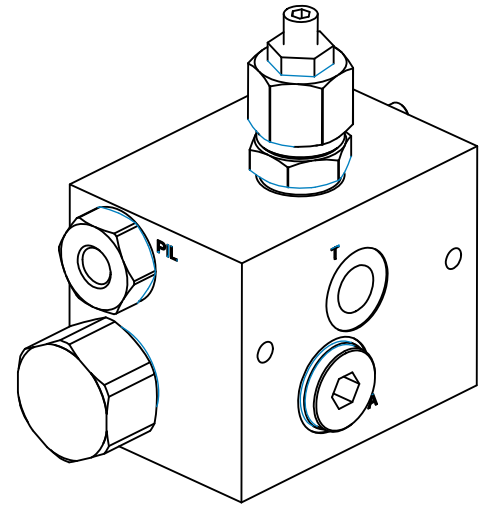
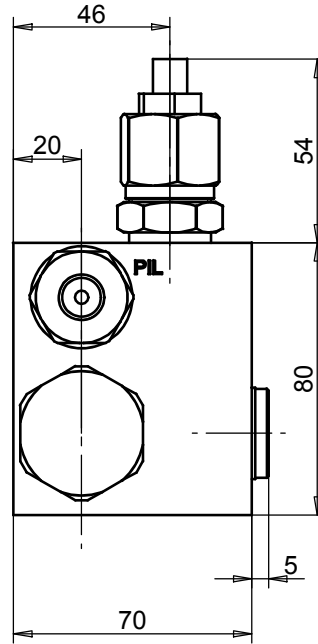
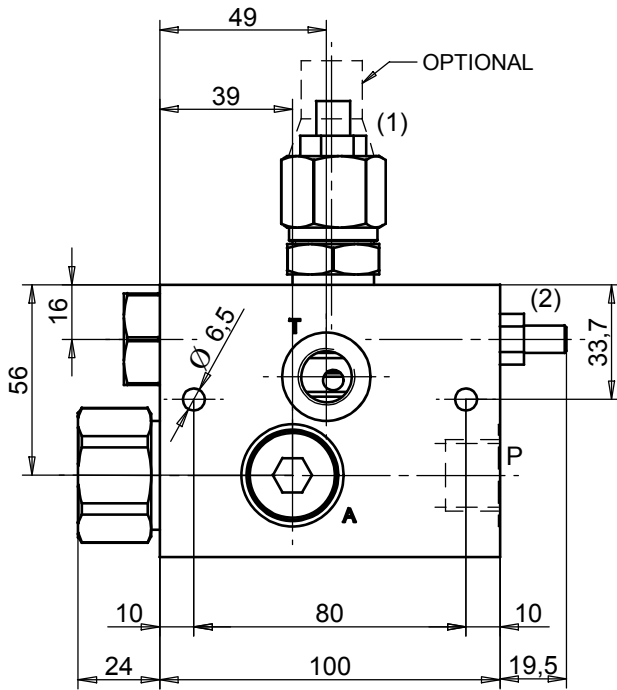
VMSIP --

Port Size BSP

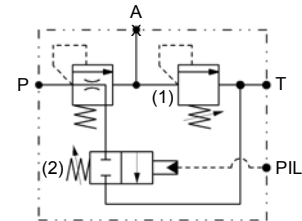
03	1/2
04	3/4

Ordering Code Example: VMSIP03 = 1/2" BSP Ports.

Dimensions



Hydraulic Symbol



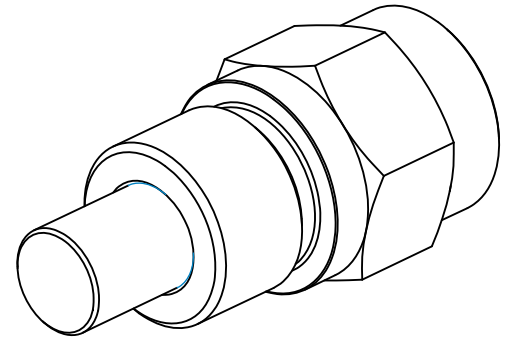
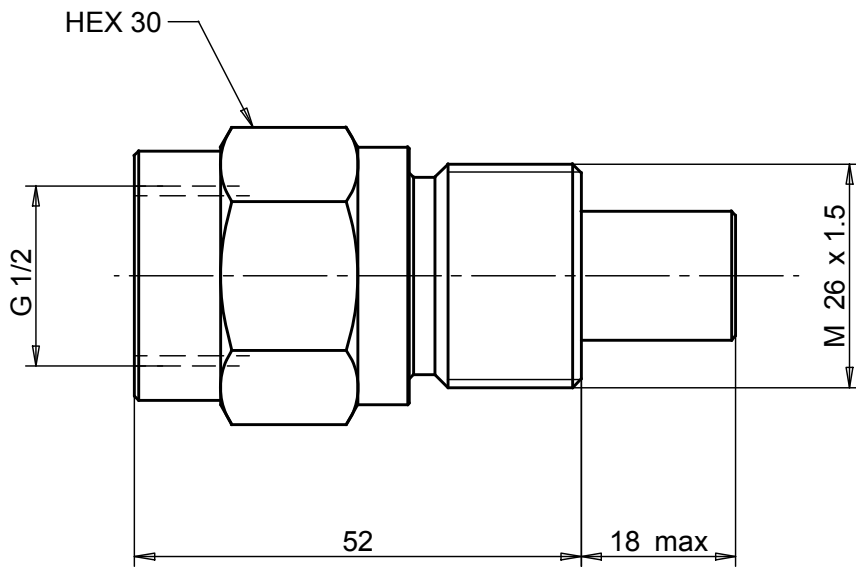
Features

Max Pressure	250 bar
Max Flow	80 lpm
Ports	P-A: G 1/2 T: G 3/8 PIL: G 1/4
Std. Pressure range	(1) 30 - 260 bar (2) 100 - 350 bar

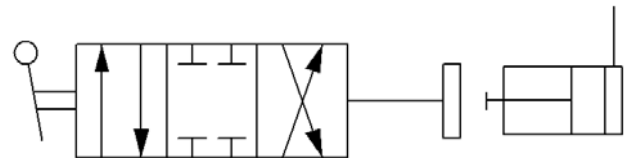
Ordering Code

VMSIP80R 03

Dimensions



Hydraulic Symbol



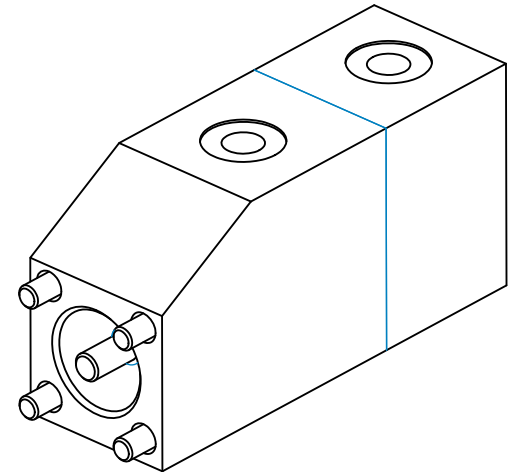
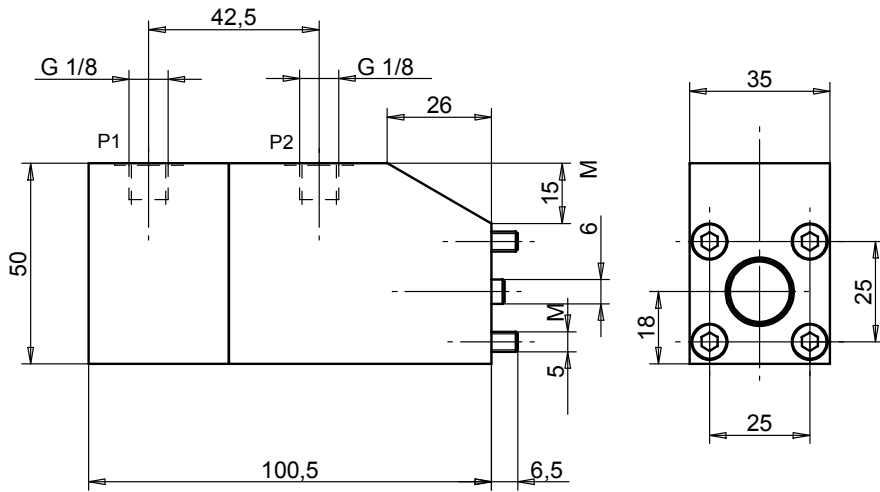
Features

Max Pressure	260 bar
---------------------	---------

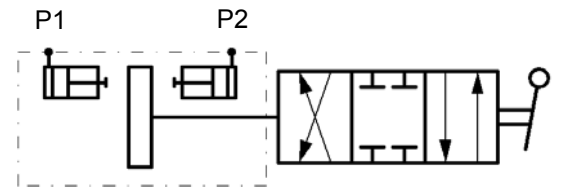
Ordering Code

CBA 03

Dimensions



Hydraulic Symbol



Features

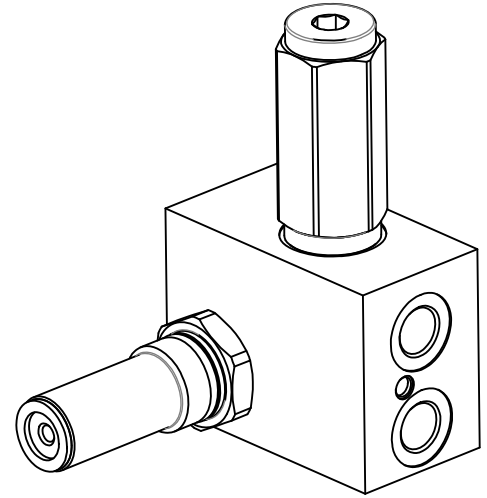
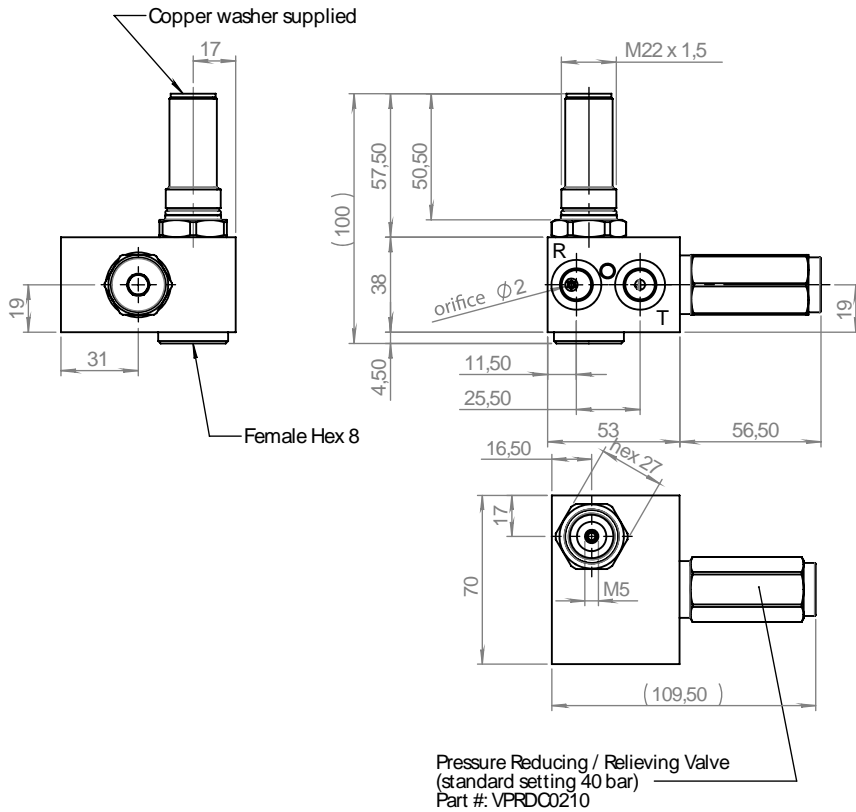
Max Pressure	290 bar
--------------	---------

Materials: Zinc plated steel cartridge, hardened steel inner parts.
Aluminium manifold.

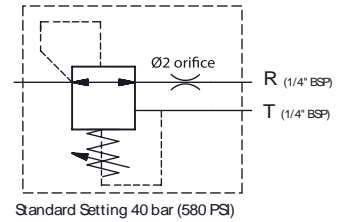
Ordering Code

BLCDEWL 005

Dimensions



Hydraulic Symbol



Curves

Features

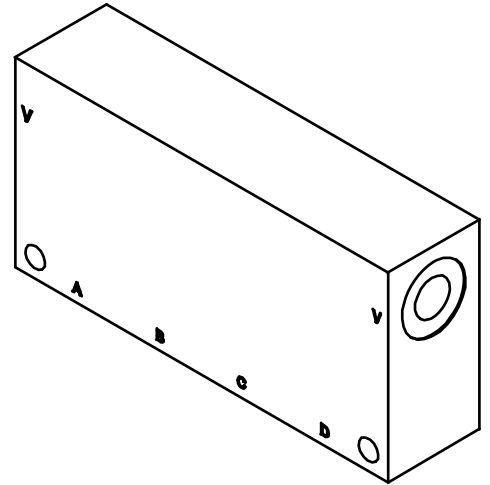
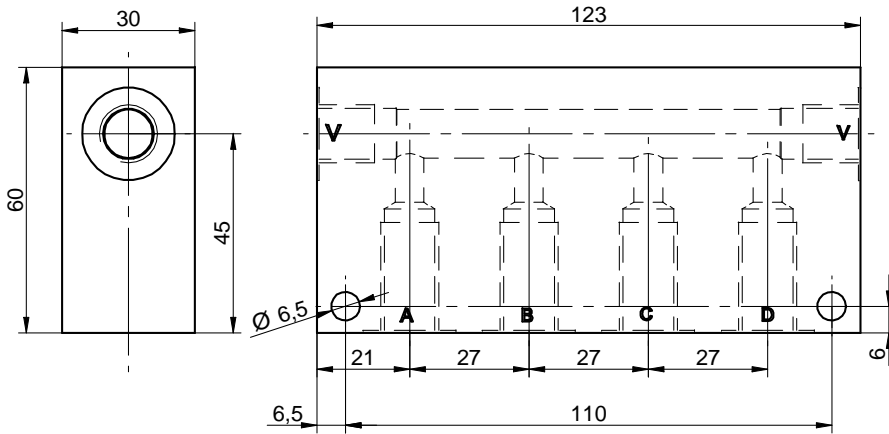
Standard Setting	40 bar
Port Sizes	R-T: G 1/4" BSP

Materials: Zinc plated steel cartridge, hardened steel inner Aluminium manifold.

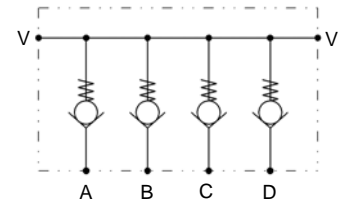
Ordering Code

PSUHCD4

Dimensions



Hydraulic Symbol



Curves

Features

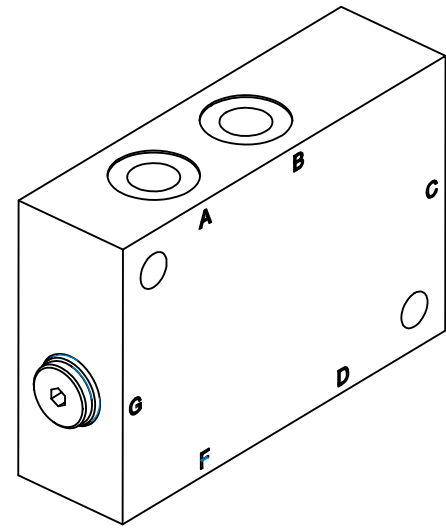
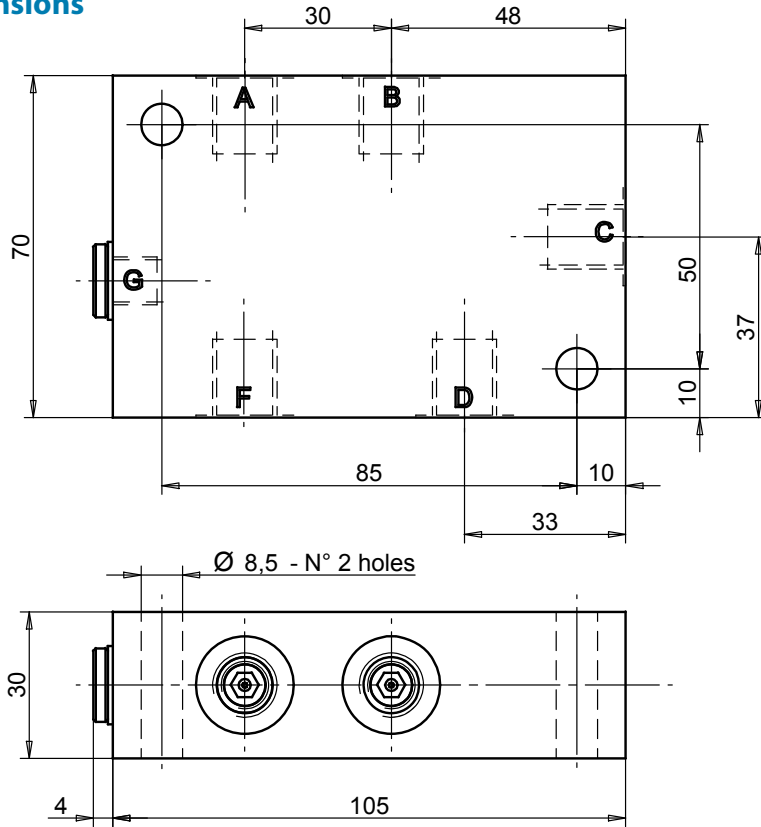
Max Flow	20 lpm
Max Pressure	350 bar
Port Sizes	V: G 1/4 A - B - C - D: G 1/4

Materials: Aluminium body

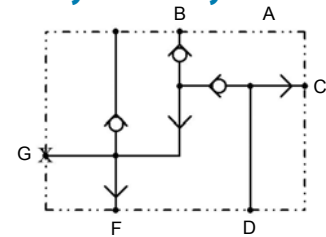
Ordering Code

VRLS4RT01

Dimensions



Hydraulic Symbol



Features

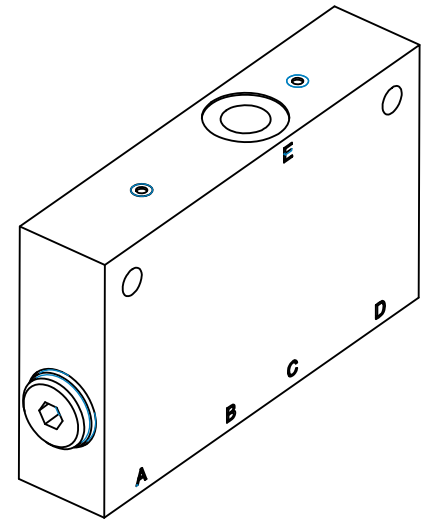
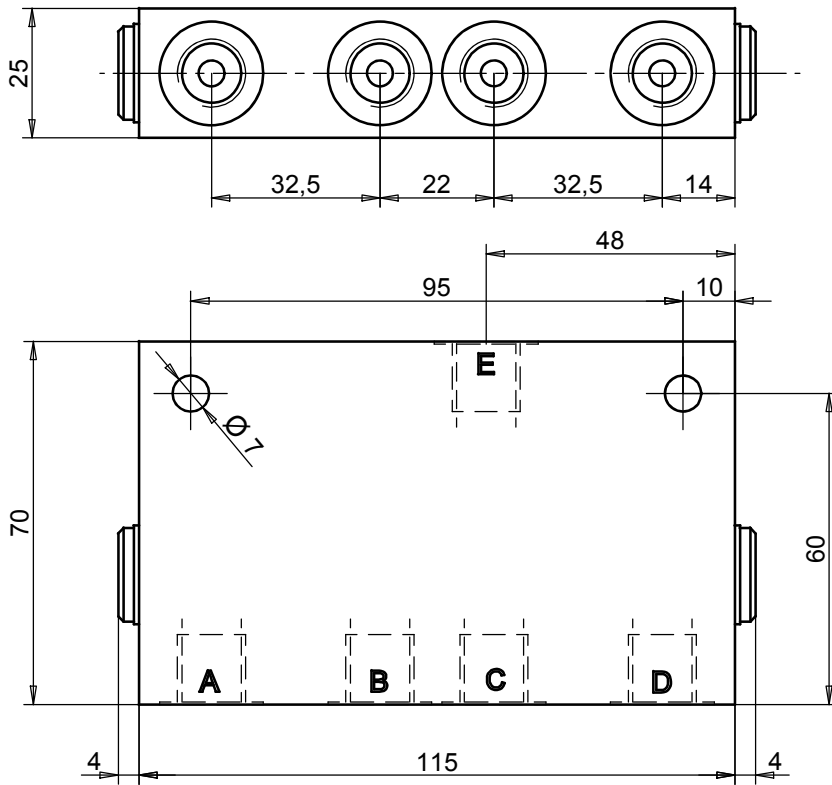
Max Flow	3 lpm
Max Pressure	400 bar
Ports	A-B-C-D-F: 1/4 G: 1/8

Materials: Zinc plated steel manifold, hardened steel inner parts.

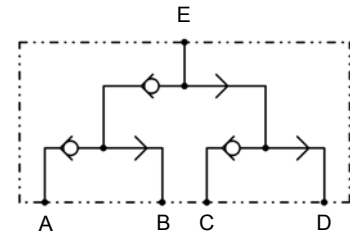
Ordering Code

VSEL3V 01

Dimensions



Hydraulic Symbol



Features

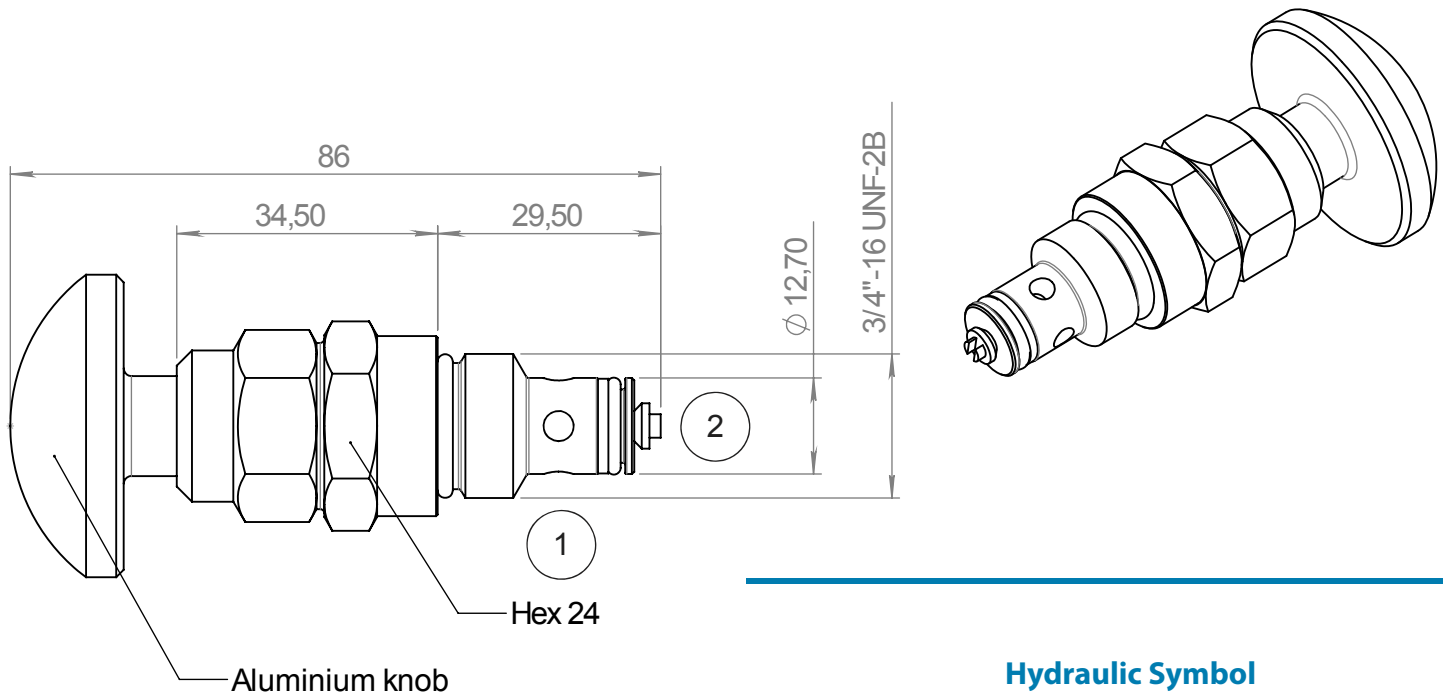
Max Pressure	250 bar
Max Flow	10 lpm
Ports	A-B-C-D-E: G 1/4

Materials: Zinc plated steel cartridge, hardened steel inner parts.
Aluminium manifold.

Ordering Code

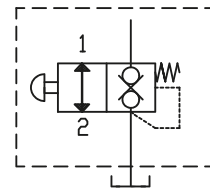
VSEL3VHC 01

Dimensions

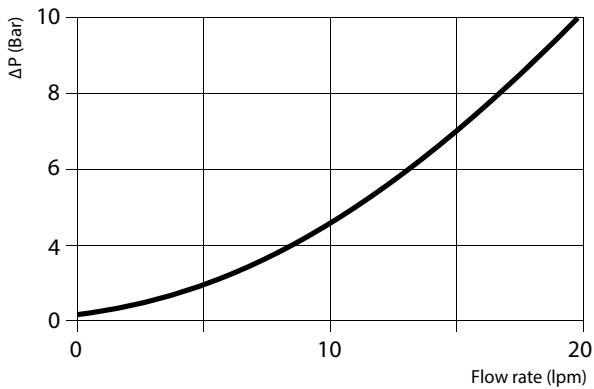


Notice: This is an emergency valve only, to work properly (2) does not have to be pressurized

Hydraulic Symbol



Curves



Features

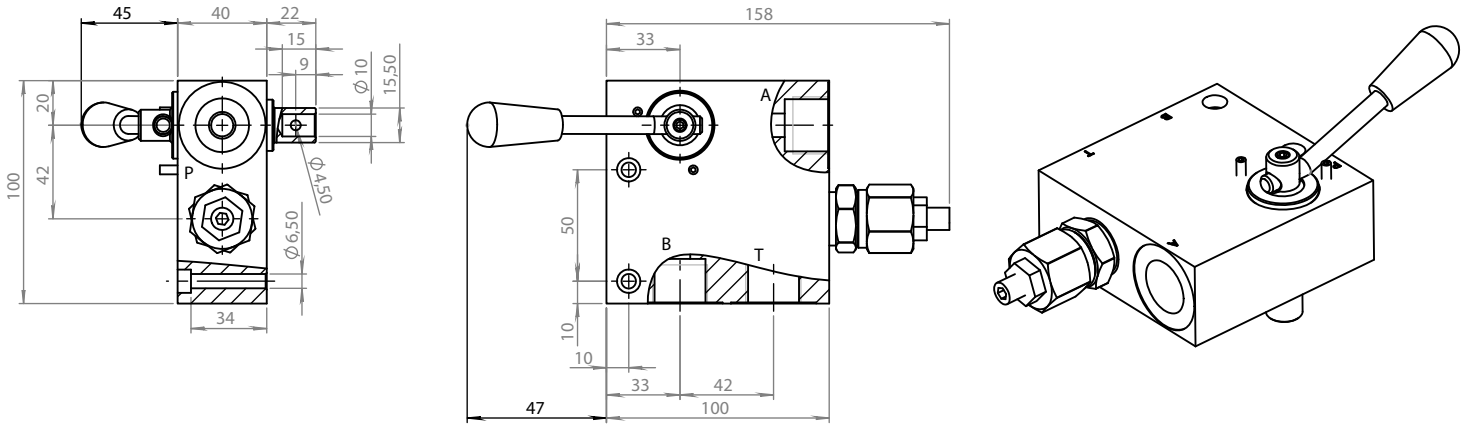
Max Pressure	350 bar
Max Flow	20 lpm
Installation torque	35-40 Nm

Materials: Zinc plated steel cartridge, hardened steel inner parts, aluminium knob, BUNA-N seals.

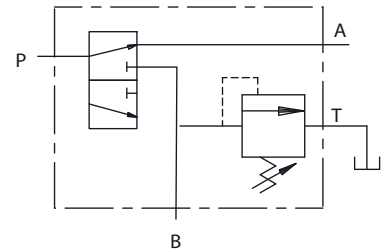
Ordering Code

MEV02

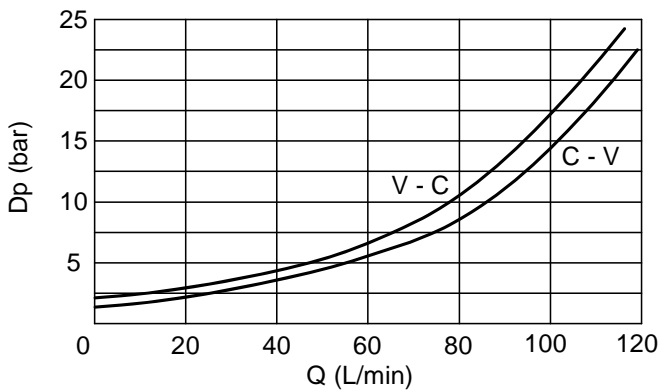
Dimensions



Hydraulic Symbol



Curves



Features

Max Flow	120 lpm
Max Pressure	350 bar
Ports Size (P, T, A, B)	3/4 BSP

Materials: Zinc plated steel manifold, hardened steel inner parts.

Ordering Code

VI4WAM0480 -- -

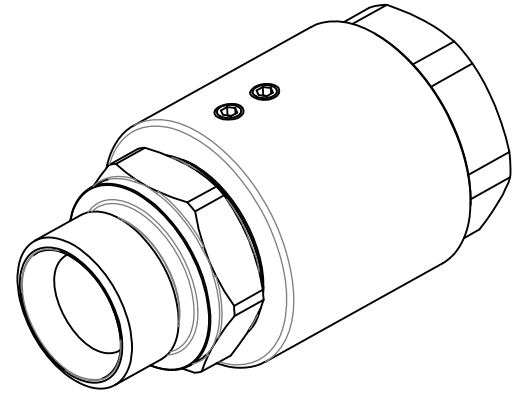
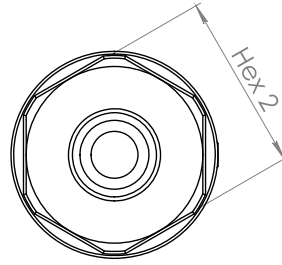
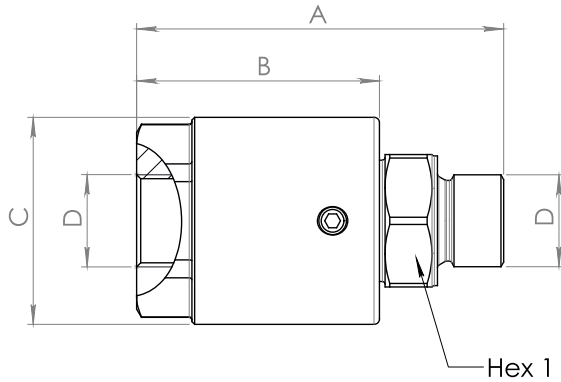
Spring (bar)	
10	5-50
20	30-260
30	130-350

Adjustments

A		Socket Screw
B		Handknob
C		Tamperproof Cap

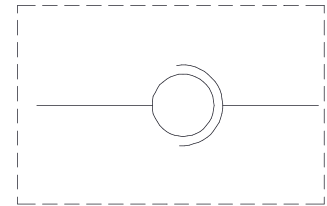
Ordering Code Example: VI4WAM048030A = 3/4 BSP size ports, 130-350 bar setting range, socket screw.

Dimensions

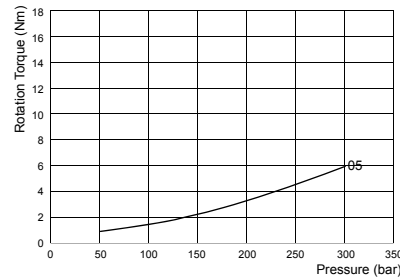
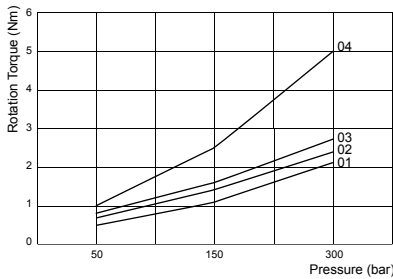


Size	A	B	C	D BSP	Hex 1	Hex 2	Weight kg
01	63	42	34	1/4	19	30	0,28
02	66,5	44	37,5	3/8	22	32	0,35
03	70,4	44	39,5	1/2	27	32	0,39
04	90,7	60	49,5	3/4	32	41	0,80
05	100	65	54,5	1	41	46	0,95

Hydraulic Symbol



Curves



Notice

To be used only to compensate for occasional rotations, not suitable for continuous rotations.

Features

Size	01	02	03	04	05
Max Flow Rate (lpm)	25	45	80	120	150
Max Static Pressure (bar)	400	400	360	310	280

Materials: Zinc plated steel.

Ordering Code

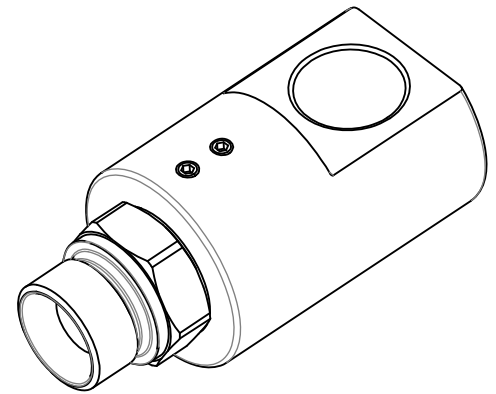
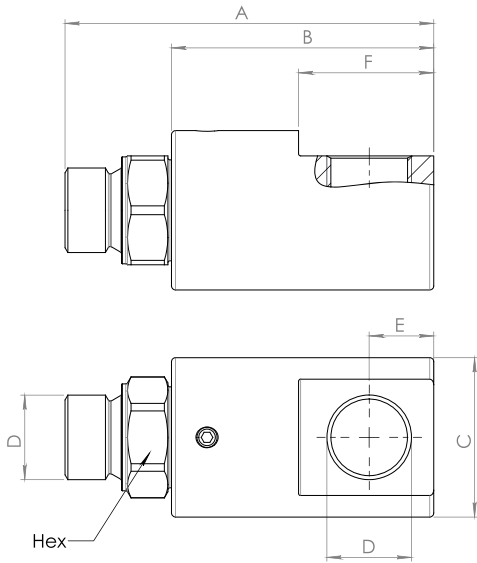
SJL

--

	Size BSP
01	1/4
02	3/8
03	1/2
04	3/4
05	1

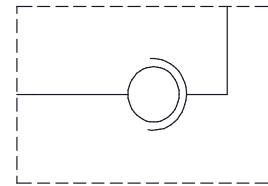
Ordering Code Example: SJL03 = 1/2 BSP.

Dimensions

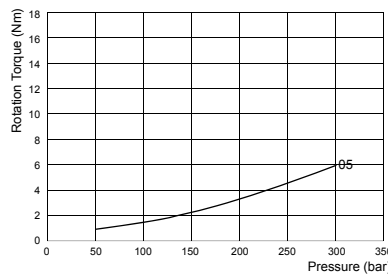
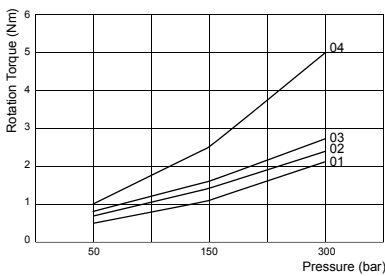


Size	A	B	C	D BSP	E	F	Hex 1	Weight kg
01	71	50	34	1/4	11,5	25	19	0,33
02	77,5	55	37,5	3/8	14	31	22	0,43
03	91,4	65	39,5	1/2	16	33,5	27	0,55
04	104,7	74	49,5	3/4	17,8	39	32	0,97
05	120	85	59,5	1	22,8	48	41	1,45

Hydraulic Symbol



Curves



Notice

To be used only to compensate for occasional rotations, not suitable for continuous rotations.

Features

Size	01	02	03	04	05
Max Flow Rate (lpm)	25	45	80	120	150
Max Static Pressure (bar)	400	400	360	310	280

Materials: Zinc plated steel.

Ordering Code

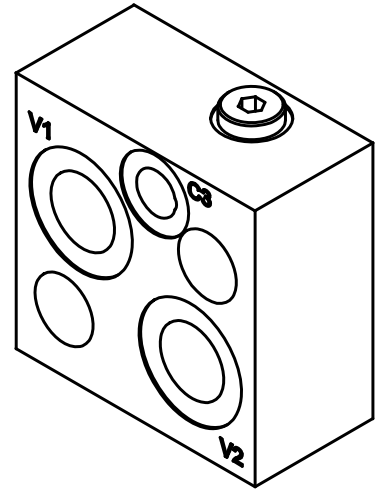
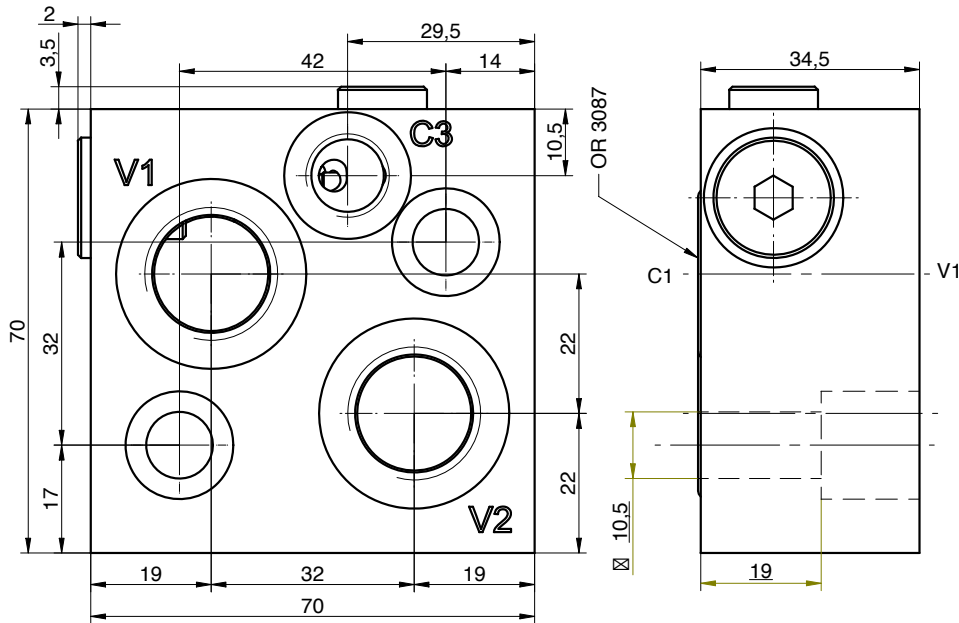
SJ90

--

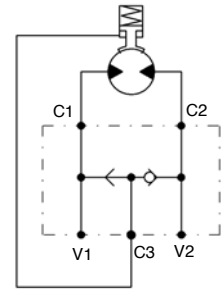
	Size BSP
01	1/4
02	3/8
03	1/2
04	3/4
05	1

Ordering Code Example: SJ9003 = 1/2 BSP.

Dimensions



Hydraulic Symbol



Curves

Features

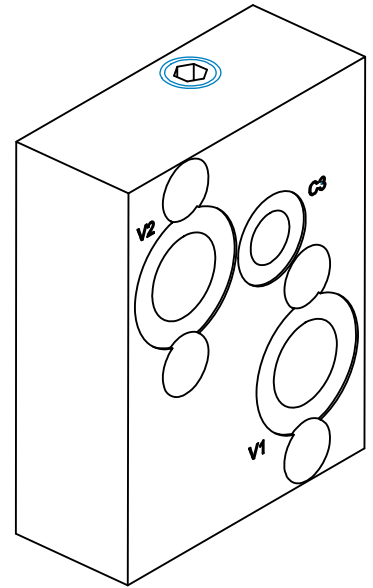
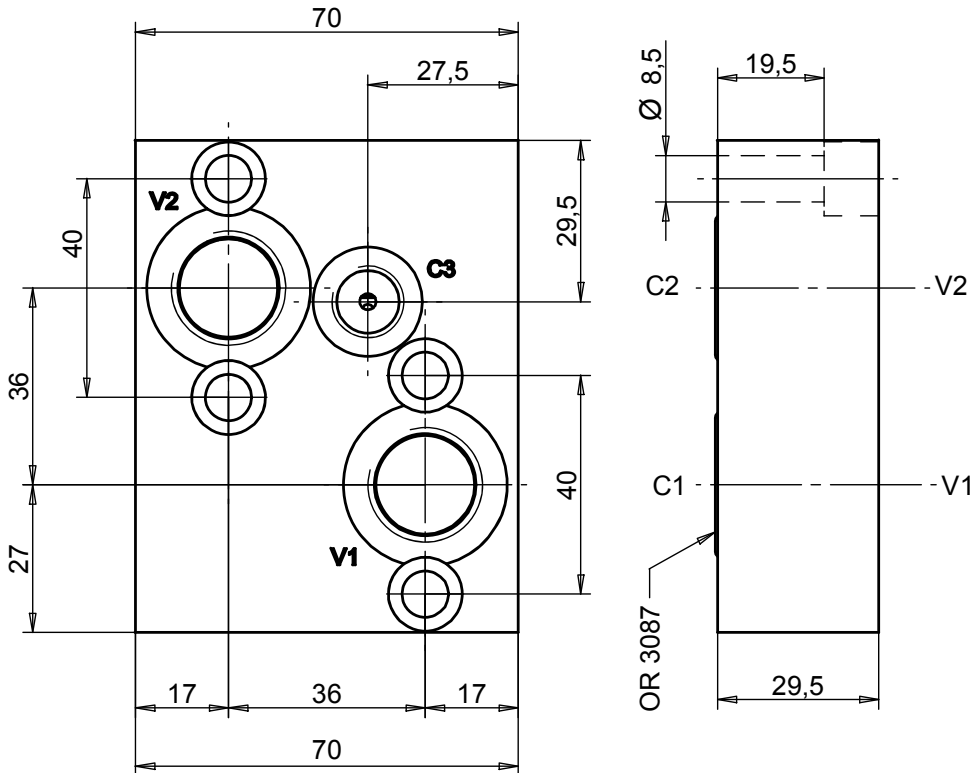
Max Flow	50 lpm
Max Pressure	350 bar
Port Sizes	V1 - V2: G 1/2 C3: G 1/4

Materials: Aluminium manifold

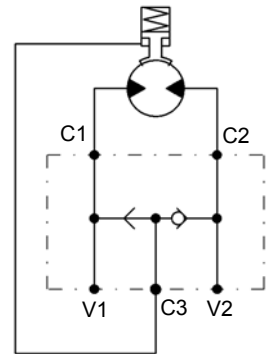
Ordering Code

SHVOMS03

Dimensions



Hydraulic Symbol



Features

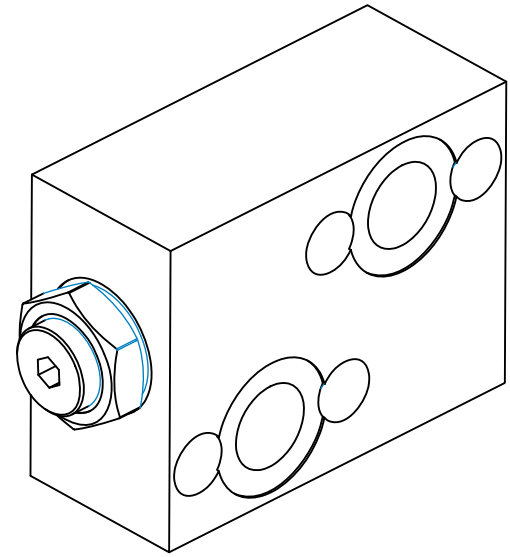
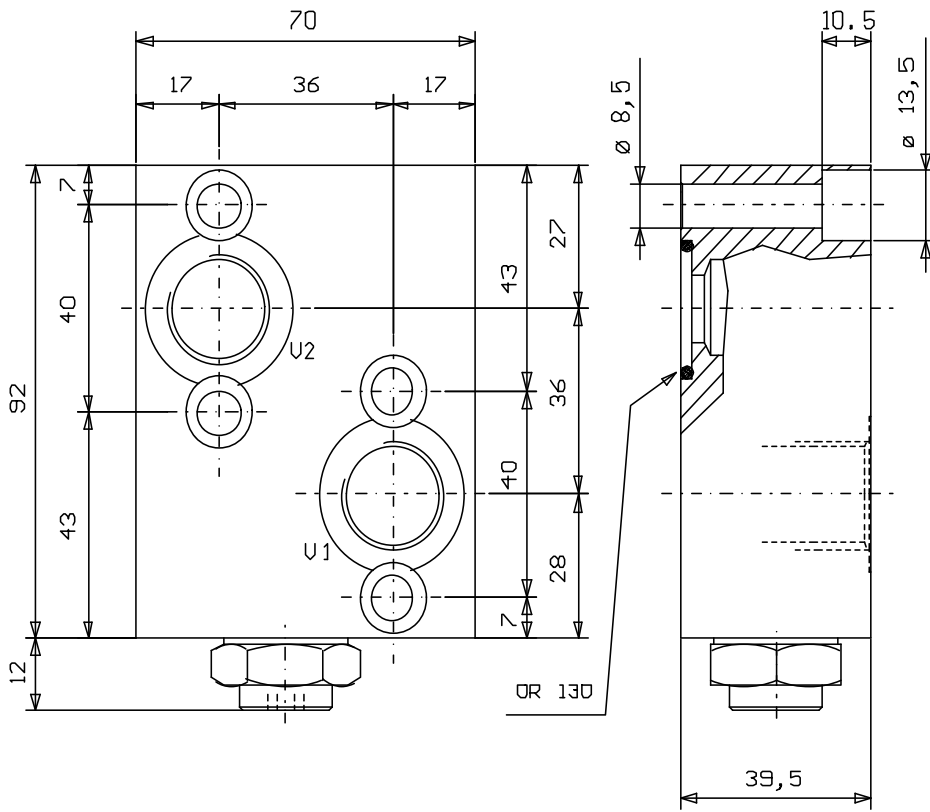
Max Flow	50 lpm
Max Pressure	350 bar
Ports	V1-V2: G 1/2 C3: G 1/4

Materials: Zinc plated steel cartridge, hardened steel inner parts.
Aluminium manifold.

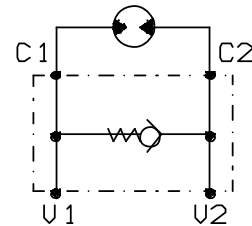
Ordering Code

SHVOMP 03

Dimensions



Hydraulic Symbol



Features

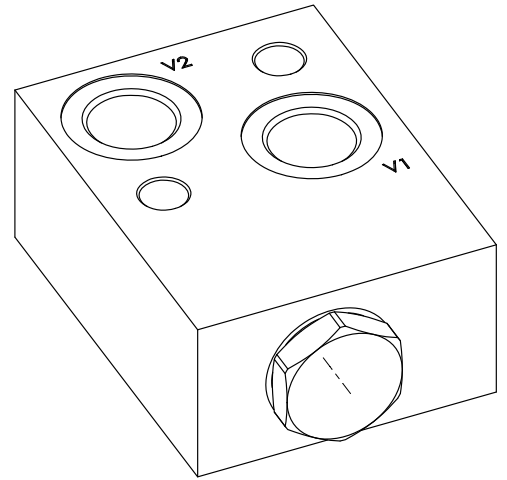
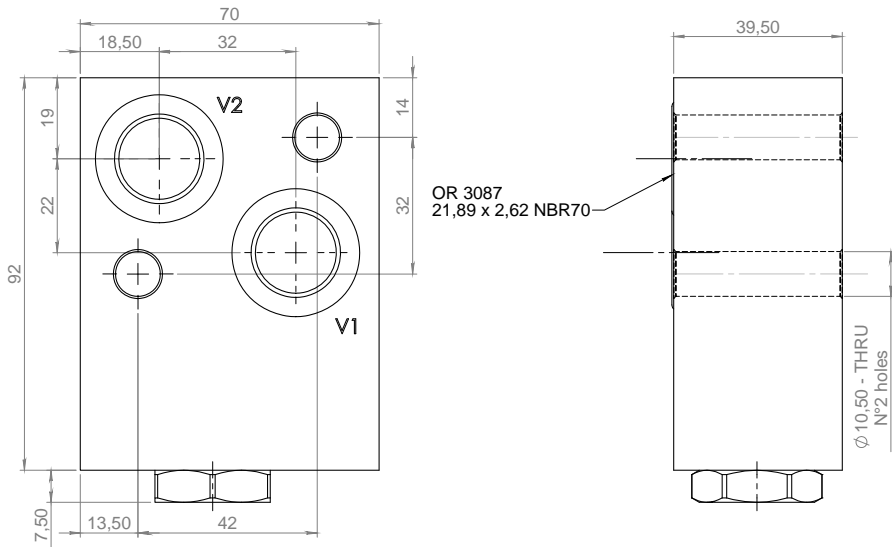
Max Flow	50 lpm
Max Pressure	250 bar
Cracking Pressure	0,5 / 3
Ports	V1-V2: G1/2

Materials: Zinc plated steel cartridge, hardened steel inner parts.
Aluminium manifold.

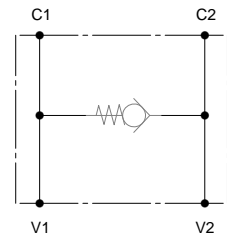
Ordering Code

ACVOMP 03

Dimensions



Hydraulic Symbol



Curves

Features

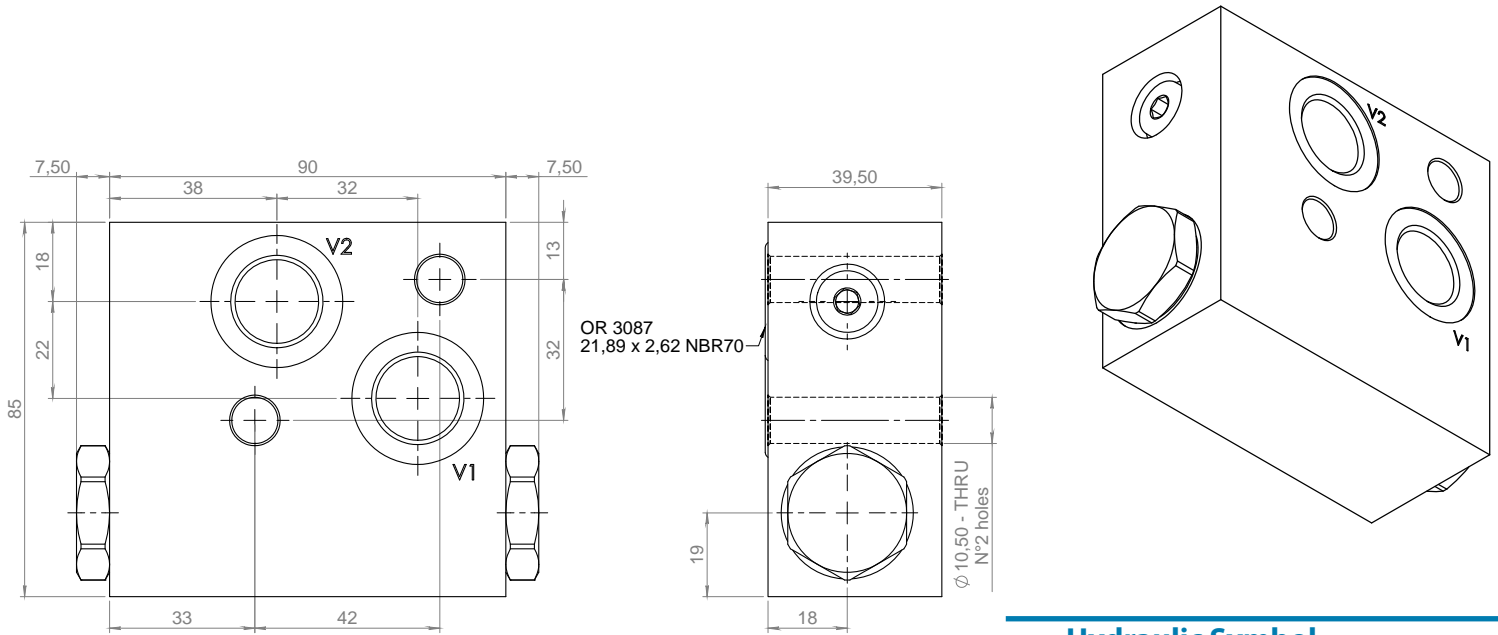
Max Flow	50 lpm
Max Pressure	250 bar
Port Sizes	V1 - V2 = G 1/2 BSP

Materials: Aluminium manifold

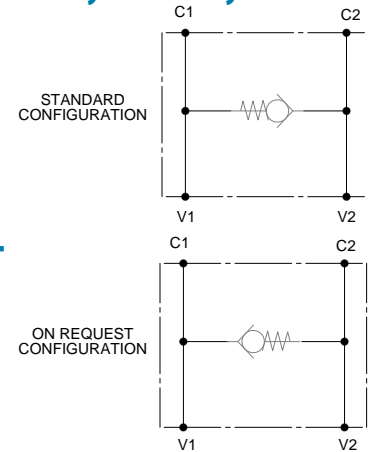
Ordering Code

ACVOMS03

Dimensions



Hydraulic Symbol



Curves

Features

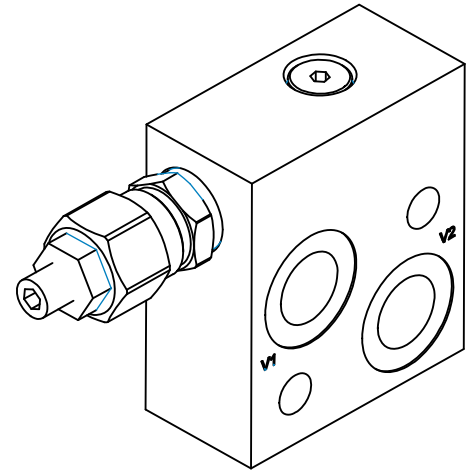
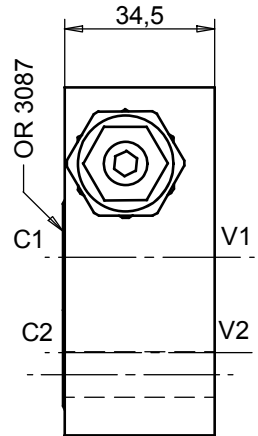
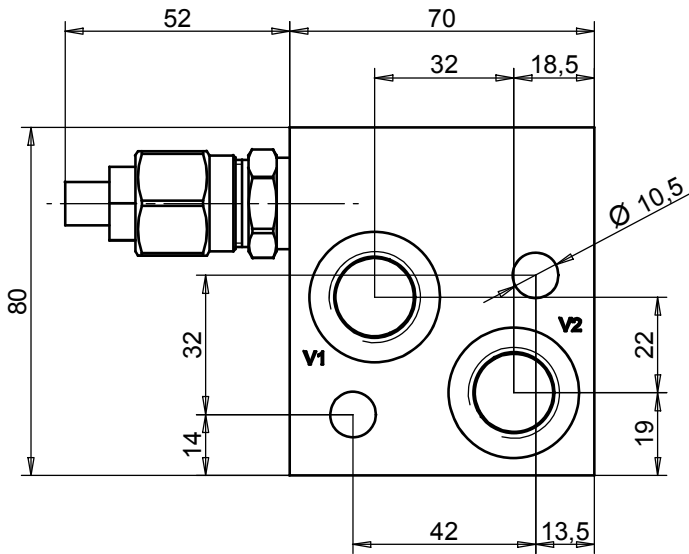
Max Flow	50 lpm
Max Pressure	250 bar
Port Sizes	V1 - V2 = G 1/2 BSP

Materials: Aluminium manifold

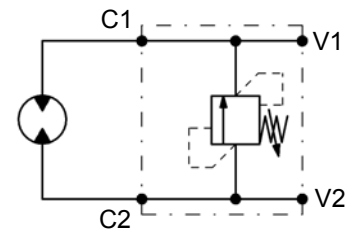
Ordering Code

ACVROMS03

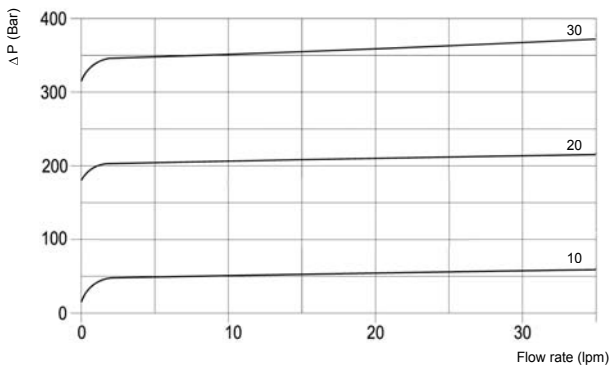
Dimensions



Hydraulic Symbol



Curves



Features

Max Flow	40 lpm
Max Pressure	250 bar
Ports	V1-V2: G 1/2

Materials: Zinc plated steel cartridge, hardened steel inner parts.
Aluminium manifold.

Ordering Code

PROMS 03 -- -

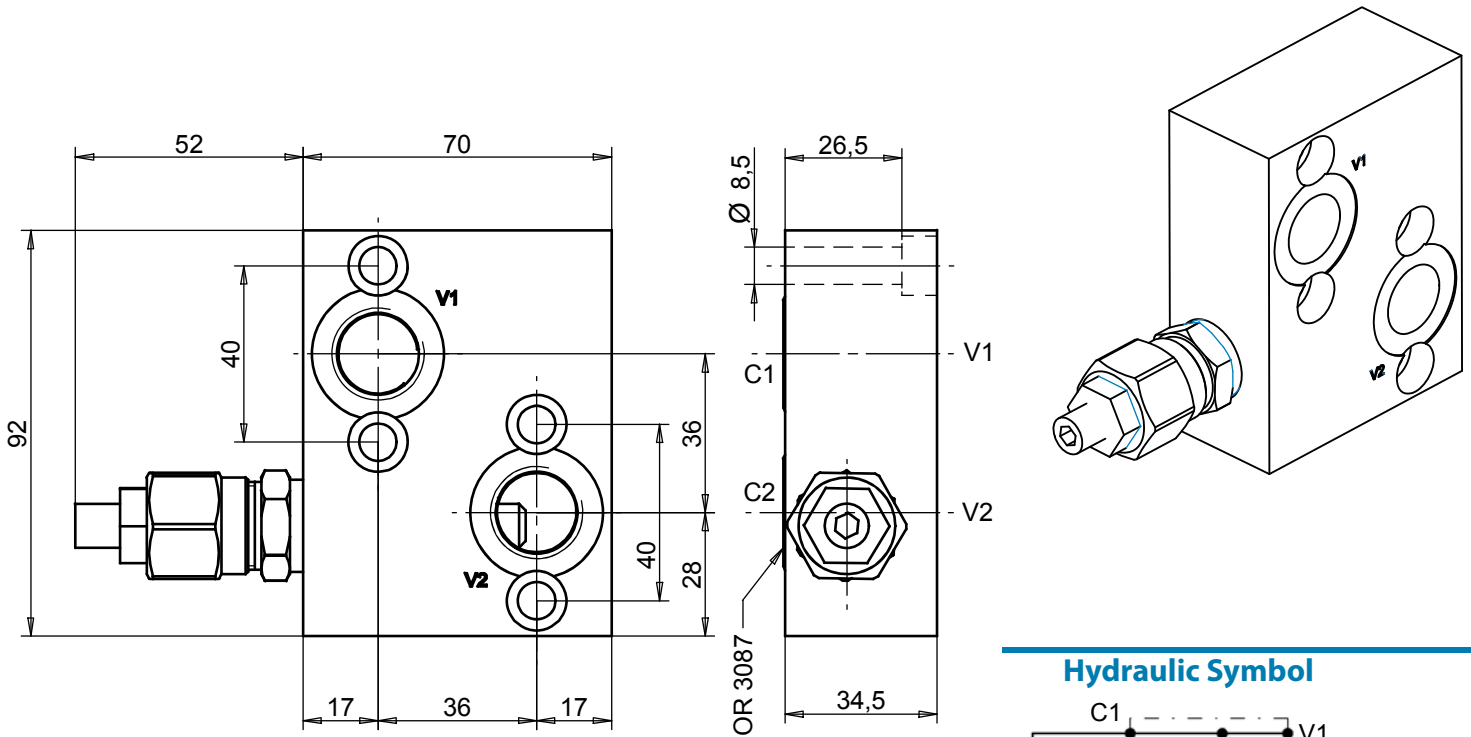
	Spring (bar)
10	5-50
20	40-210
30	100-350

Adjustments

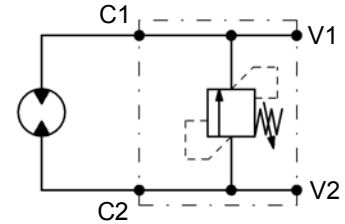
A		Socket Screw
B		Handknob
C		Tamperproof Cap

Ordering Code Example: PROMS0330A = 1/2" BSP Ports - 100-350 bar setting range.

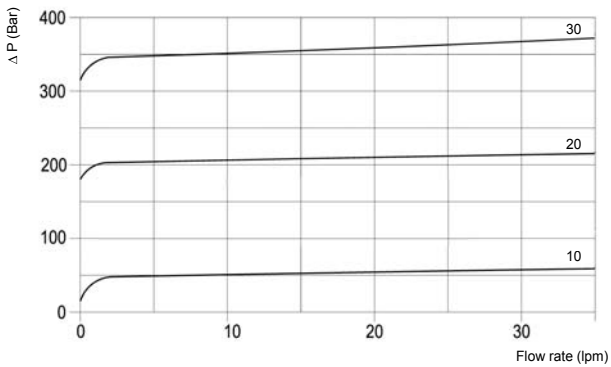
Dimensions



Hydraulic Symbol



Curves



Features

Max Flow	40 lpm
Max Pressure	250 bar
Ports	V1-V2: G 1/2
Pressure increase/Turn	90 bar

Materials: Zinc plated steel cartridge, hardened steel inner parts.
Aluminium manifold.

Ordering Code

PROMP 03 -- -

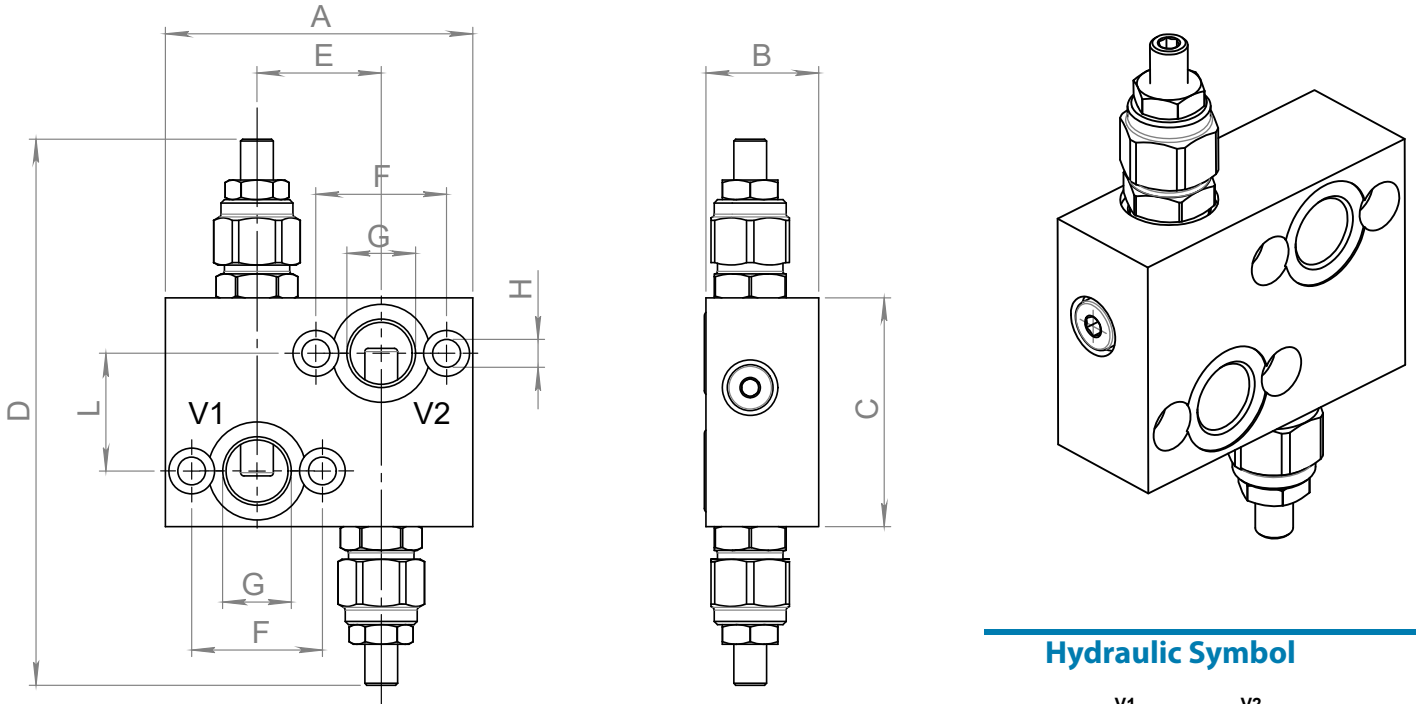
	Spring (bar)
10	5-50
20	40-210
30	100-350

Adjustments

A		Socket Screw
B		Handknob
C		Tamperproof Cap

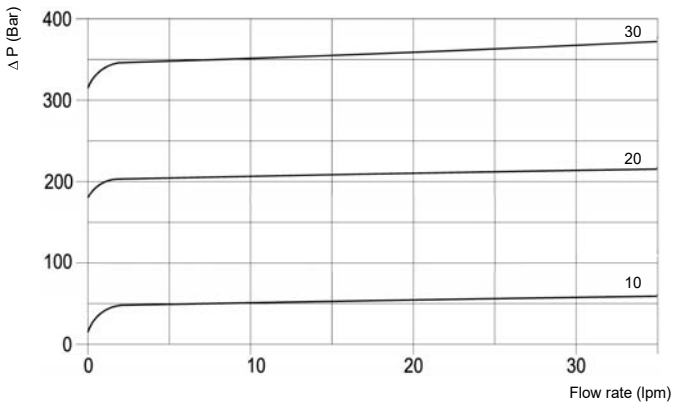
Ordering Code Example: PROMP0330A = 1/2" BSP Ports - 100-350 bar setting range.

Dimensions

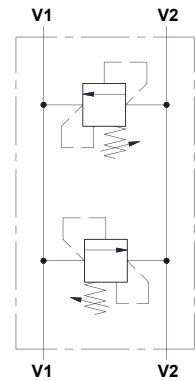


Size	A	B	C	D	E	F	G BSP	H	L	Weight kg
03	94	35	70	167	36	40	1/2	8,5	36	0,75

Curves



Hydraulic Symbol



Features

Rated Flow	35 lpm
Max Pressure	350 bar

Materials: Zinc plated steel cartridge, hardened steel inner parts.
Aluminium manifold.

Ordering Code

DPROMP-R35 -- -- -

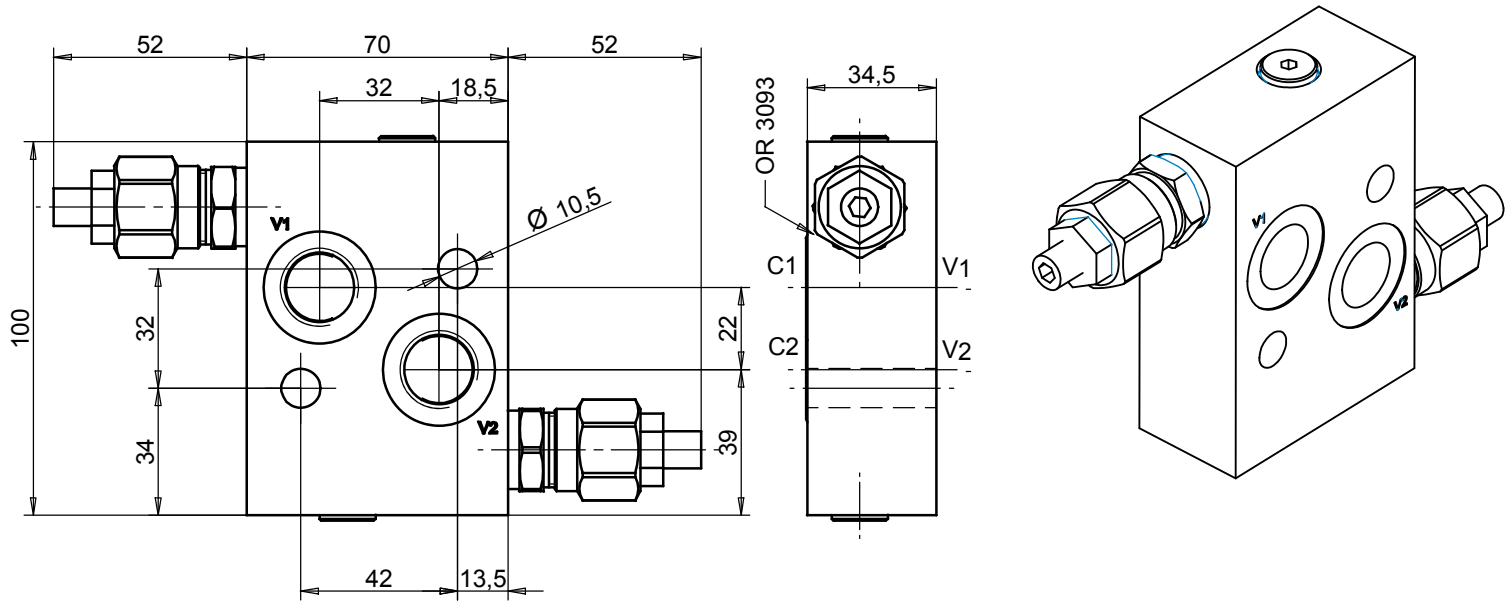
Port Size BSP		Spring (bar)	
03	1/2	10	5-50
		20	40-210
		30	100-350

Adjustments

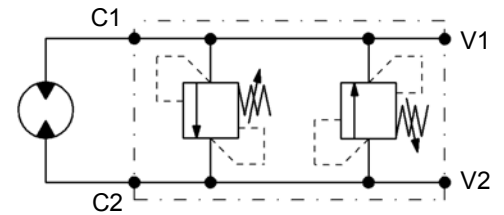
A		Socket Screw
B		Handknob
C		Tamperproof Cap

Ordering Code Example: DPROMP-R350320A = 1/2 Port Size - 40-210 bar setting range, Socket screw adjustment.

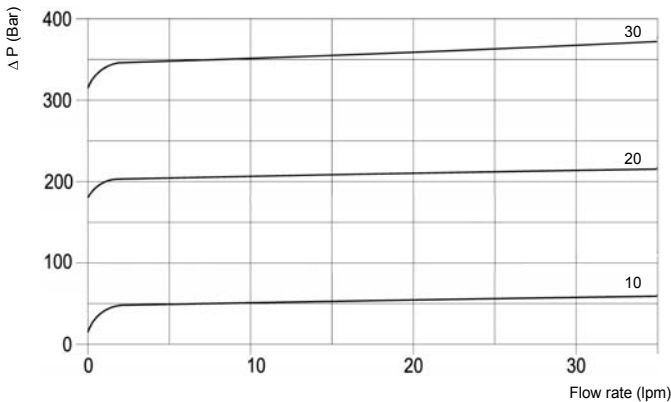
Dimensions



Hydraulic Symbol



Curves



Features

Max Flow	40 lpm
Max Pressure	250 bar
Ports	V1-V2: G 1/2
Pressure increase/Turn	90 bar

Materials: Zinc plated steel cartridge, hardened steel inner parts.
Aluminium manifold.

Ordering Code

DPROMS-R35

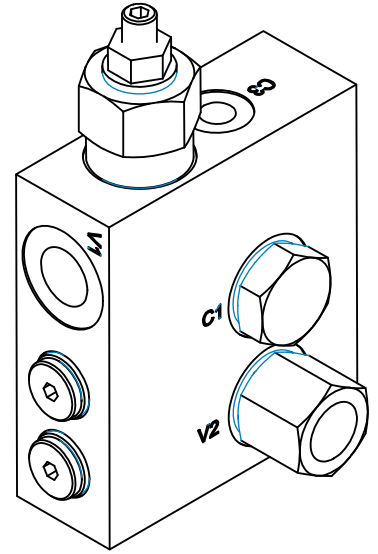
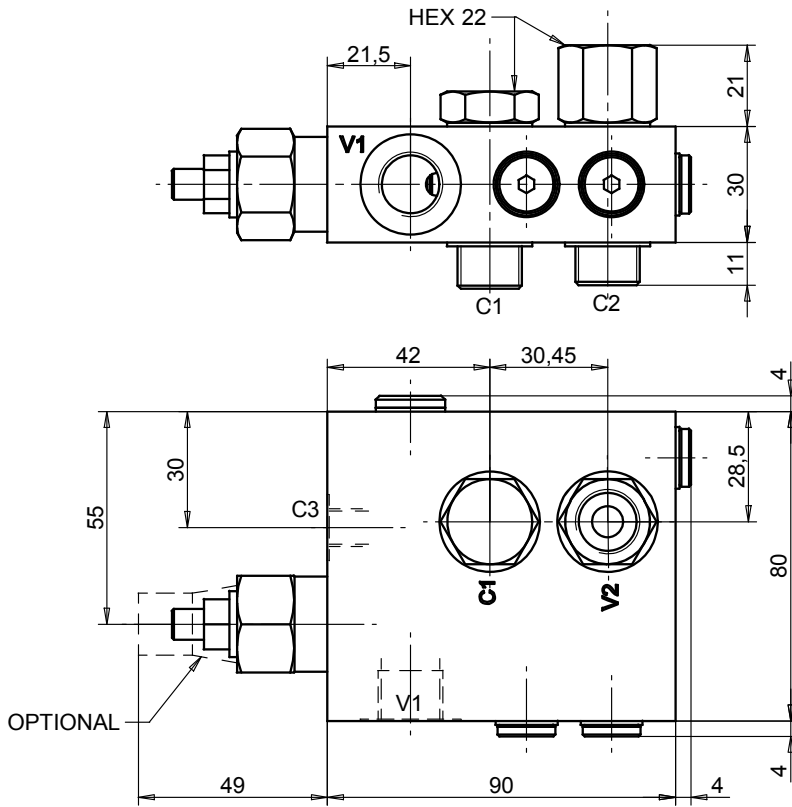
Port Size BSP		Spring (bar)	
03	1/2	10	5-50
		20	40-210
		30	100-350

Adjustments

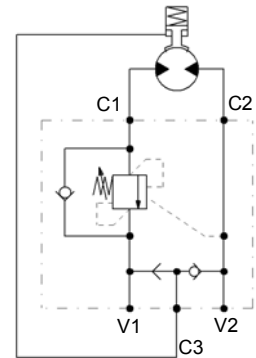
A		Socket Screw
B		Handknob
C		Tamperproof Cap

Ordering Code Example: DPROMS-R350330A = 1/2" BSP Ports - 100-350 bar setting range.

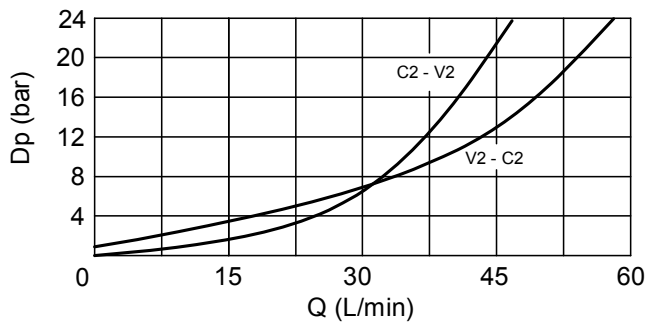
Dimensions



Hydraulic Symbol



Curves



Materials: Zinc plated steel cartridge, hardened steel inner parts.
Aluminium manifold.

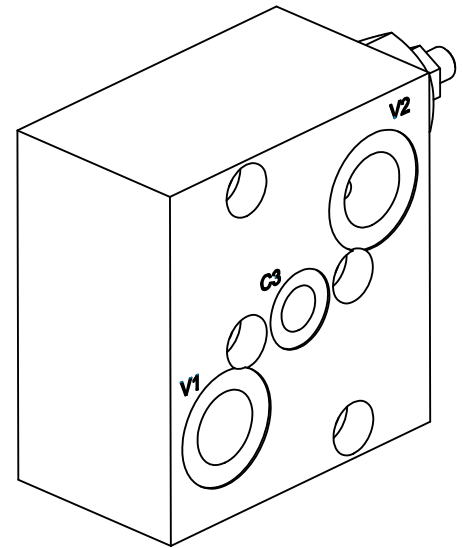
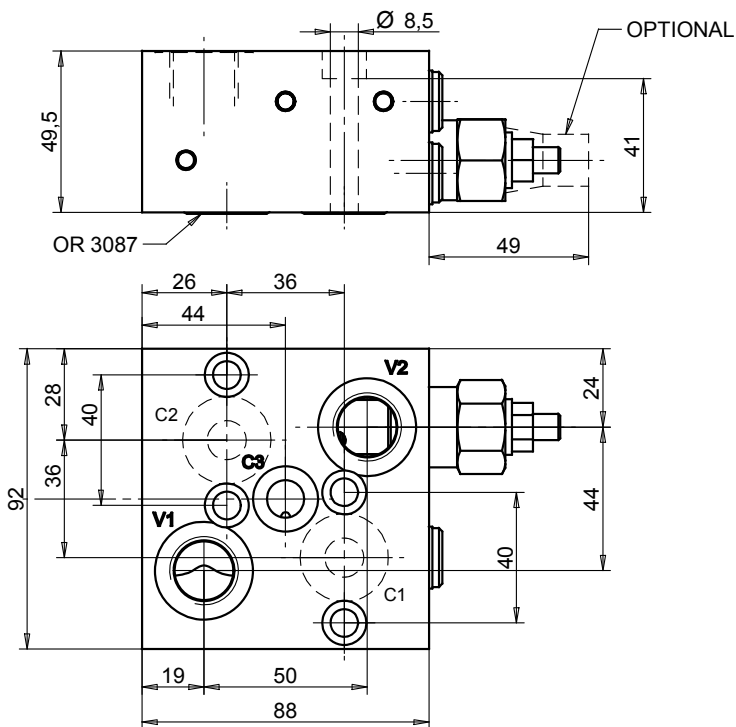
Features

Max Flow	40 lpm
Max Pressure	250 bar
Pilot Ratio	4,2:1 Standard
Ports	V1-V2: G 3/8 C1-C2: G 3/8 C3: G 3/8
Std. Pressure range	100 - 350 bar

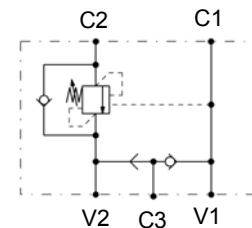
Ordering Code

CBSLSFOMM 02

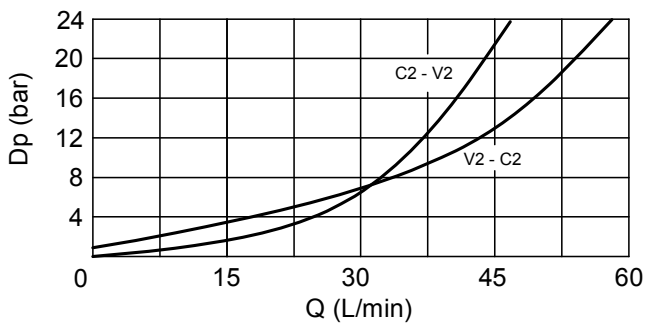
Dimensions



Hydraulic Symbol



Curves



Materials: Zinc plated steel cartridge, hardened steel inner parts.
Aluminium manifold.

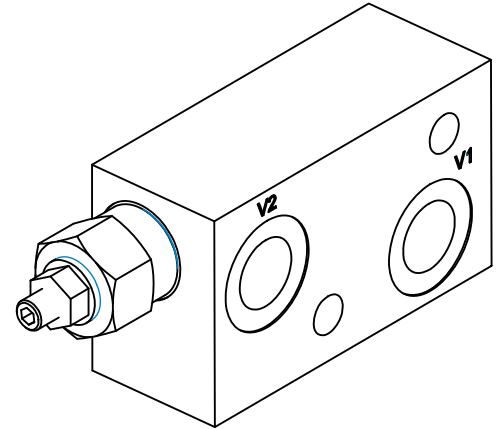
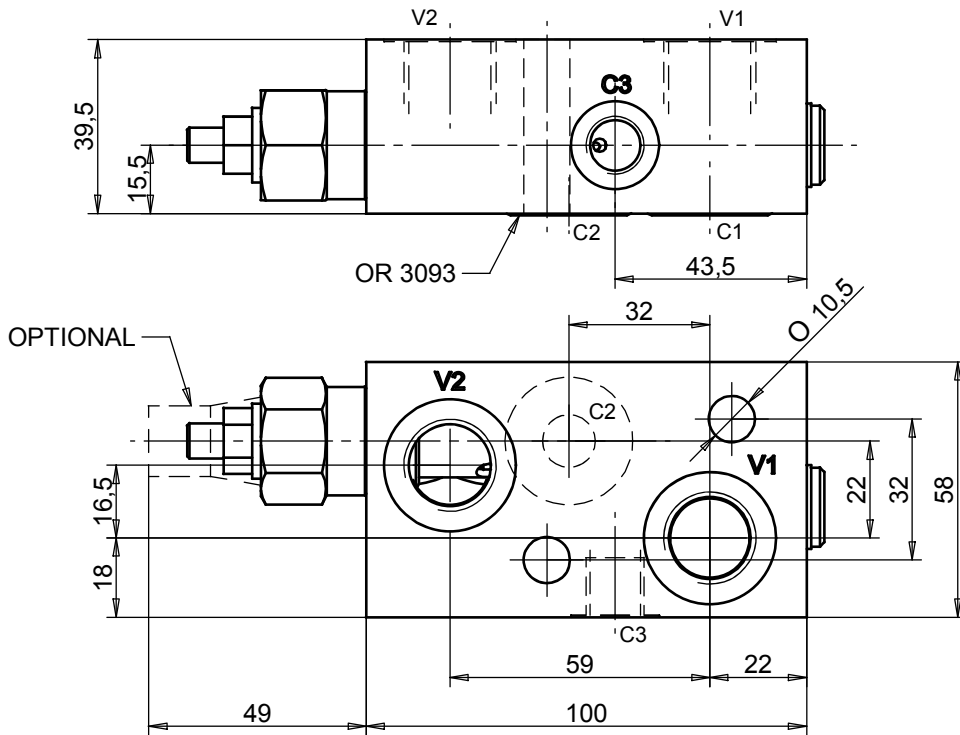
Features

Max Flow	60 lpm
Max Pressure	250 bar
Pilot Ratio	4,2:1 Standard
Ports	V1-V2: G 1/2 C1-C2: G 1/2 C3: G 1/4
Std. Pressure range	100 - 350 bar

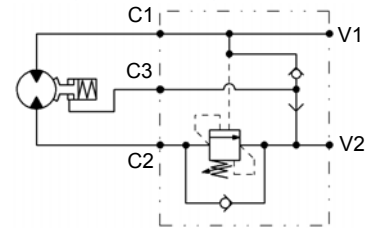
Ordering Code

CBSLSFOMP 03

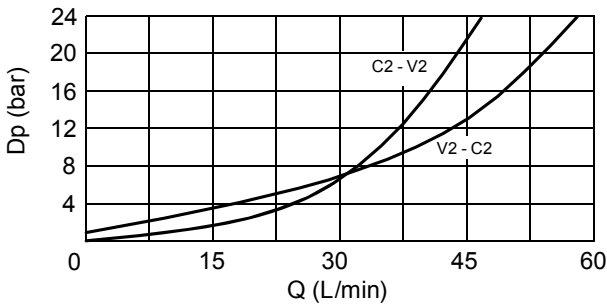
Dimensions



Hydraulic Symbol



Curves



Features

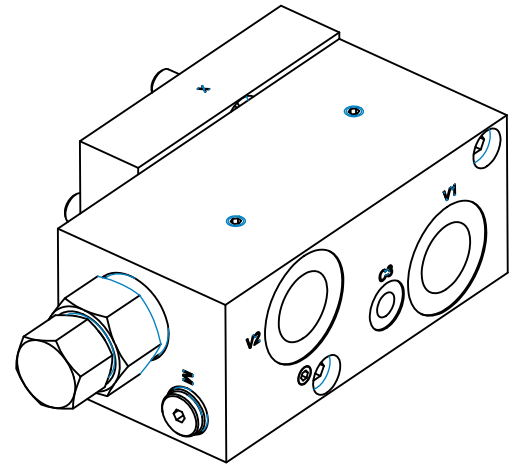
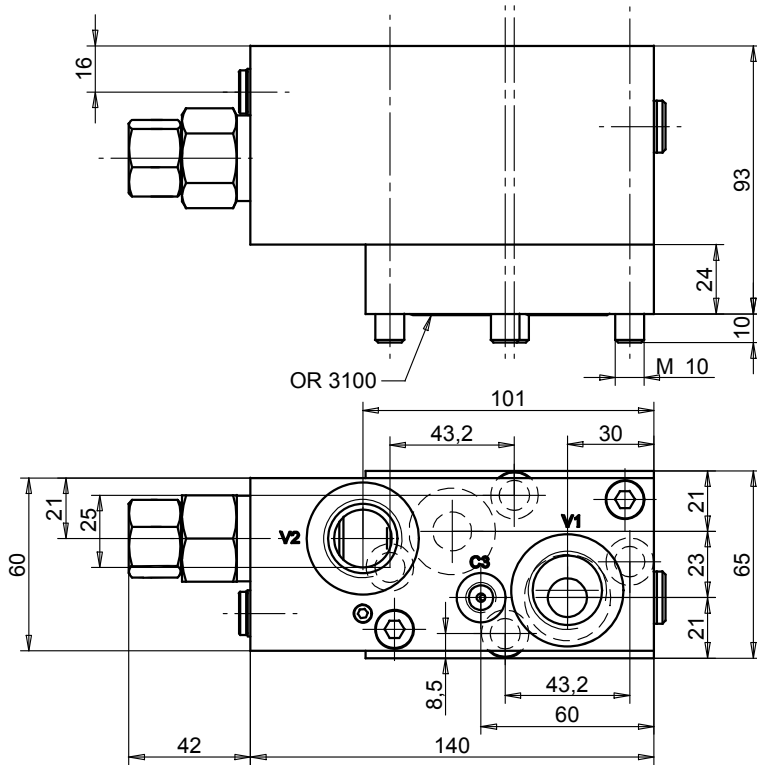
Max Flow	60 lpm
Max Pressure	350 bar
Pilot Ratio	4,2:1 Standard
Ports	V1-V2: G 1/2 C3: G 1/4

Materials: Zinc plated steel cartridge, hardened steel inner parts.
Aluminium manifold.

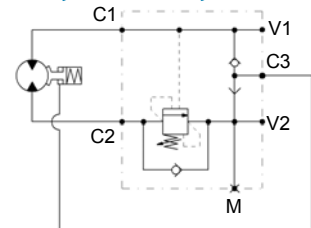
Ordering Code

CBSLSFOMS 03

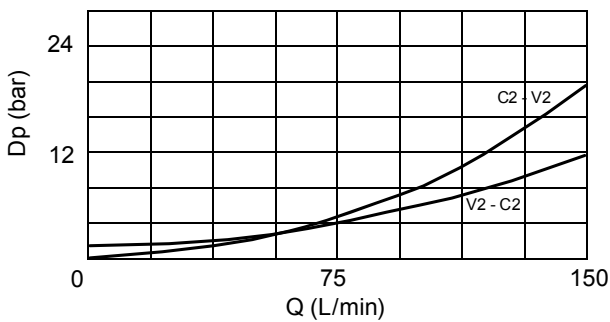
Dimensions



Hydraulic Symbol



Curves



Materials: Zinc plated steel cartridge, hardened steel inner parts.
Aluminium manifold.

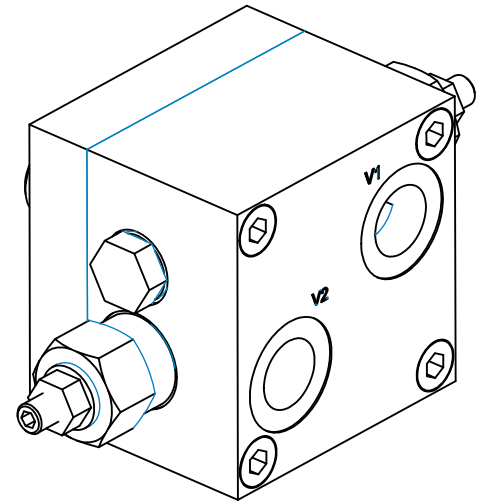
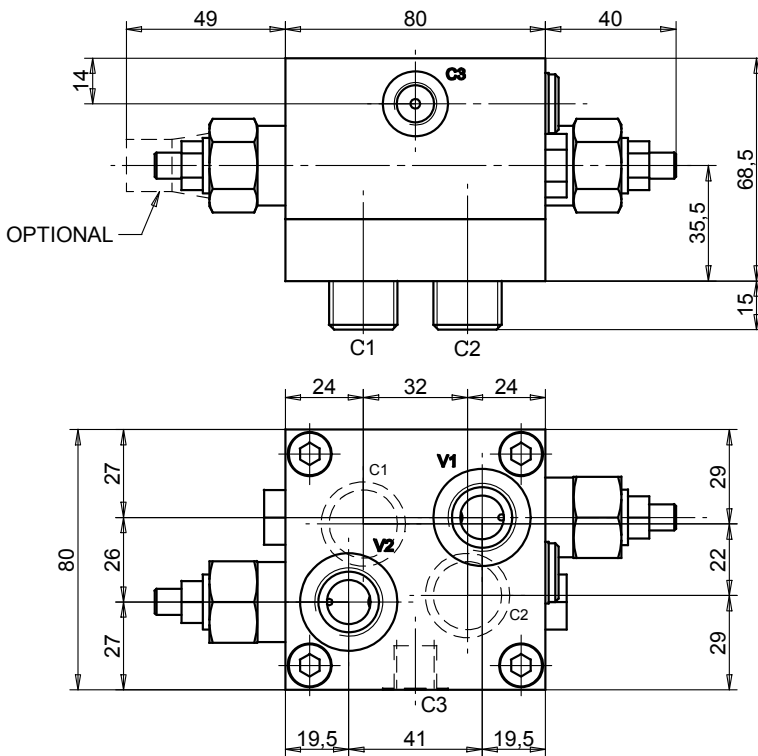
Features

Max Flow	150 lpm
Max Pressure	250 bar
Pilot Ratio	4:1 Standard
Ports	V1-V2: G 3/4 C1-C2: Ø 12 / Ø 13,5 C3-M: G 1/4
Std. Pressure range	100 - 350 bar

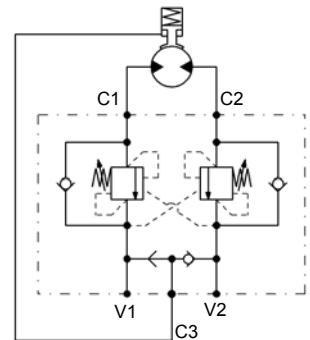
Ordering Code

CB150SLSFOMT 04

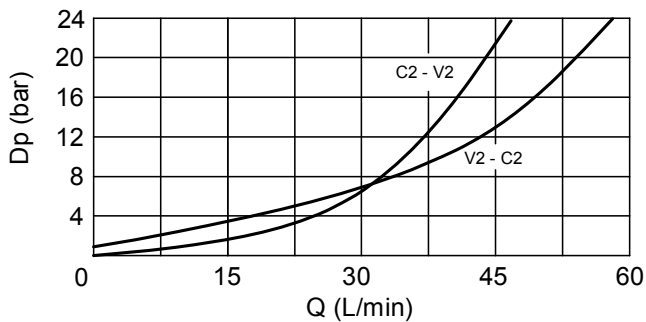
Dimensions



Hydraulic Symbol



Curves



Materials: Zinc plated steel cartridge, hardened steel inner parts.
Aluminium manifold.

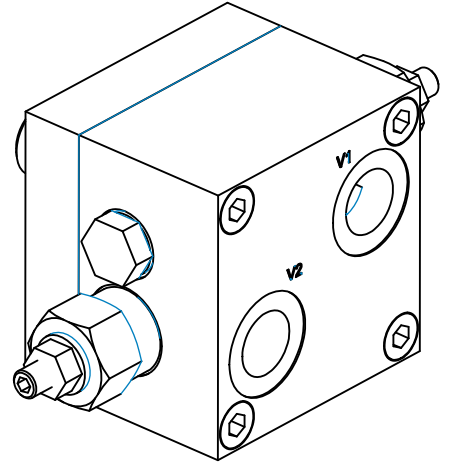
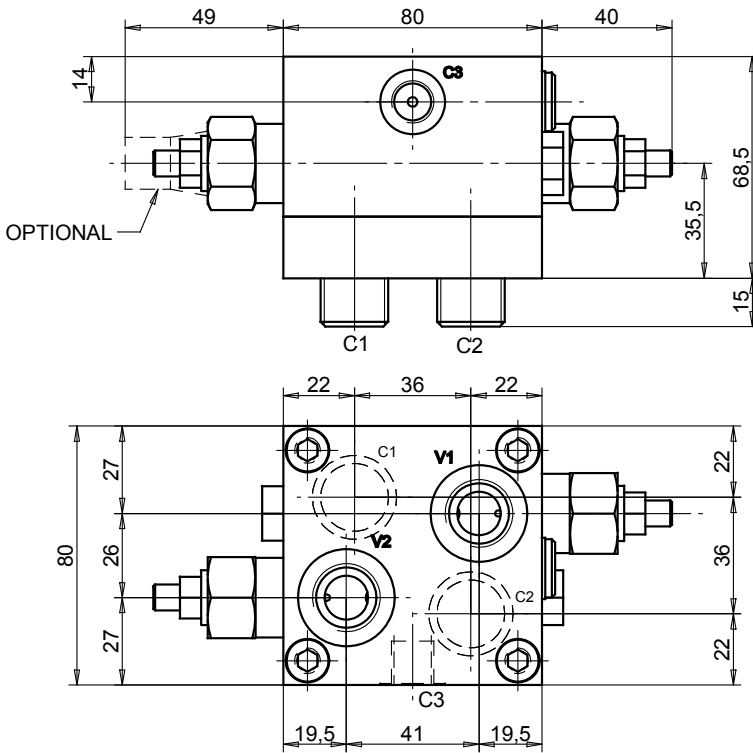
Features

Max Flow	60 lpm
Max Pressure	250 bar
Pilot Ratio	4,2:1 Standard
Ports	V1-V2: G 1/2 C1-C2: G 1/2 C3: G 1/4
Std. Pressure range	100 - 350 bar

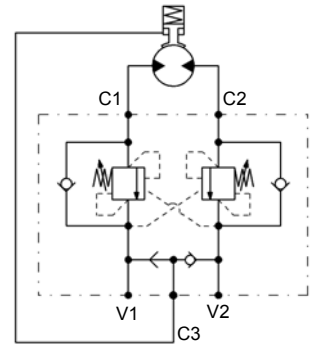
Ordering Code

CBDLSFOMS 03

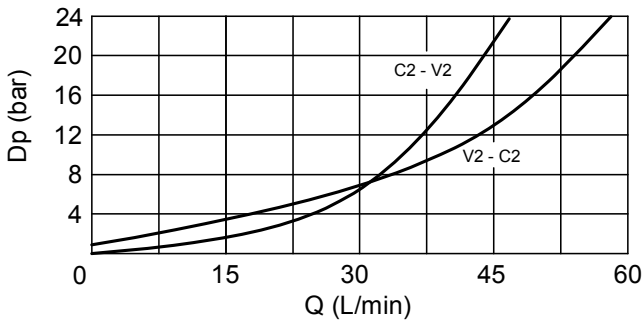
Dimensions



Hydraulic Symbol



Curves



Materials: Zinc plated steel cartridge, hardened steel inner parts.
Aluminium manifold.

Features

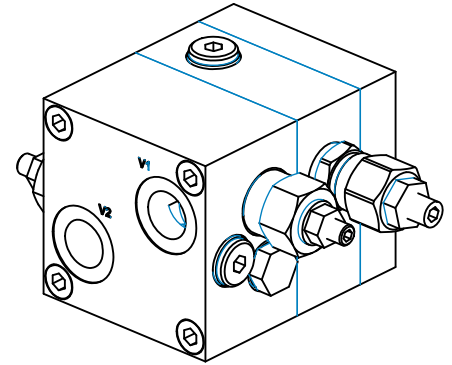
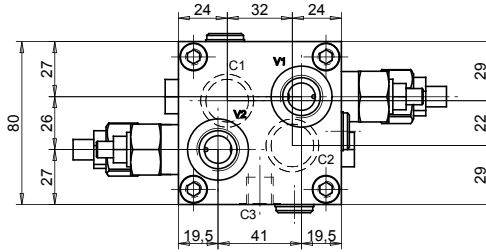
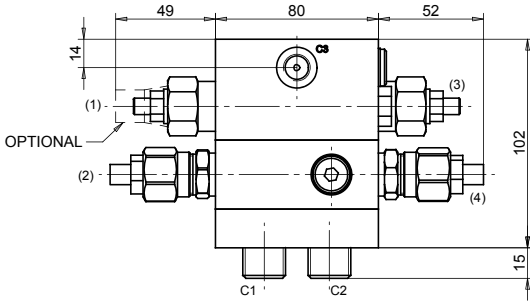
Max Flow	60 lpm
Max Pressure	250 bar
Pilot Ratio	4,2:1 Standard
Ports	V1-V2: G 1/2 C1-C2: G 1/2 C3: G 1/4
Std. Pressure range	100 - 350 bar

Ordering Code

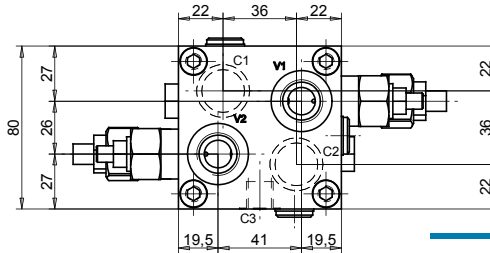
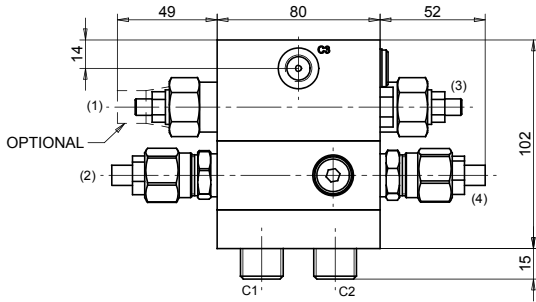
CBDLSFOMP 03

Dimensions

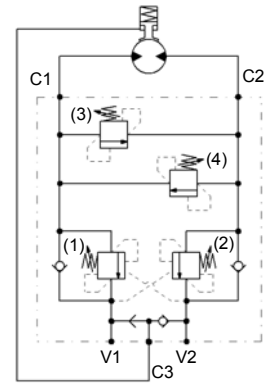
CBDLSFDPOMS: For Danfoss Motors Oms



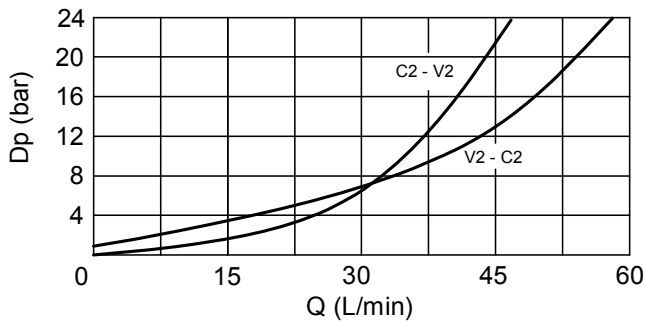
CBDLSFDPOMP: For Danfoss Motors Omp, Omr



Hydraulic Symbol



Curves



Materials: Zinc plated steel cartridge, hardened steel inner parts.
Aluminium manifold.

Features

Max Flow	60 lpm
Max Pressure	250 bar
Pilot Ratio	4,2:1 Standard
Ports	V1-V2: G 1/2 C1-C2: G 1/2 C3: G 1/4
Std. Pressure range	(1) (2) (3) (4) 100 - 350 bar

Ordering Code

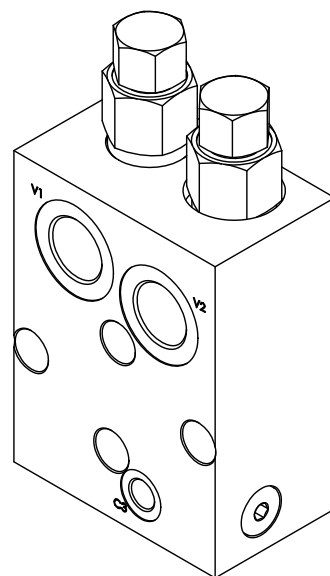
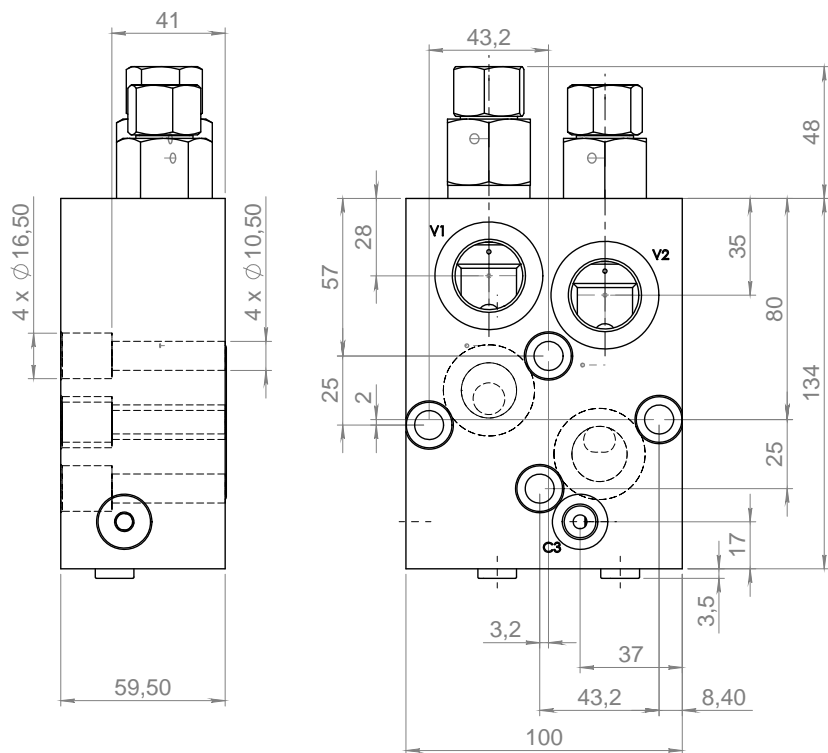
CBDLSFDP -

Motor

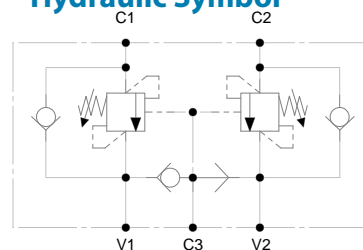
OMS

OMP

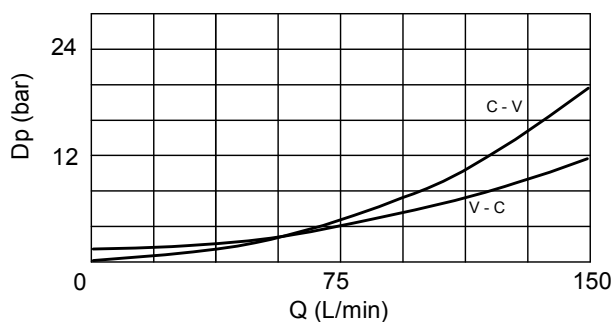
Dimensions



Hydraulic Symbol



Curves



Features

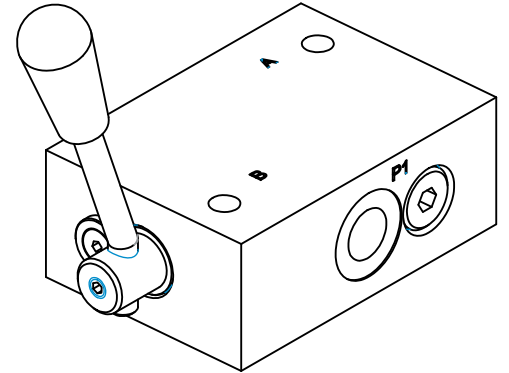
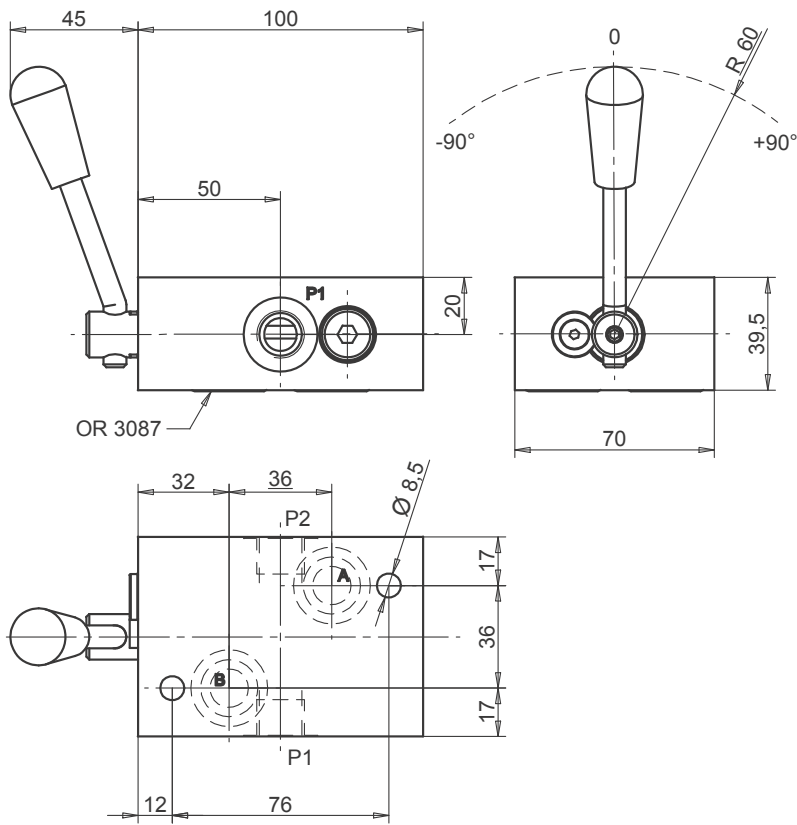
Max Flow	150 lpm
Max Pressure	350 bar
Overcentre Setting Range	100-350 bar
Pilot Ratio	4:1
Port Sizes	V1-V2 = G 3/4 BSP C3 = G 1/4 BSP

Materials: Zinc plated steel manifold

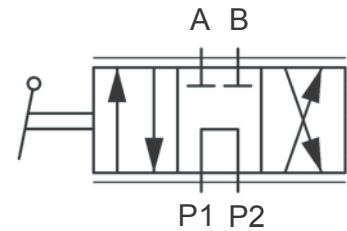
Ordering Code

CBDLSFEPMTS04

Dimensions



Hydraulic Symbol



Features

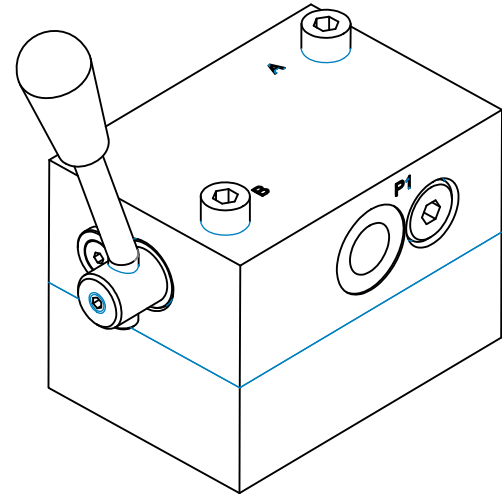
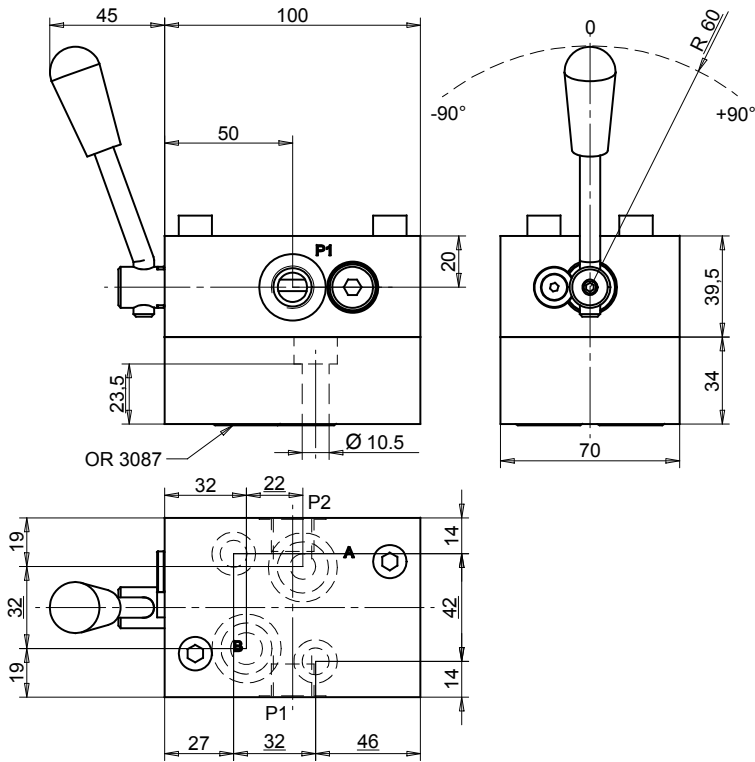
Max Flow	50 lpm
Max Pressure	350 bar
Ports	P1-P2: G 3/8

Materials: Zinc plated steel manifold, hardened steel inner parts.

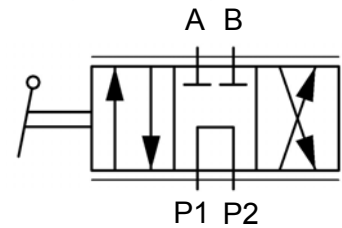
Ordering Code

VINVOMP 02

Dimensions



Hydraulic Symbol



Features

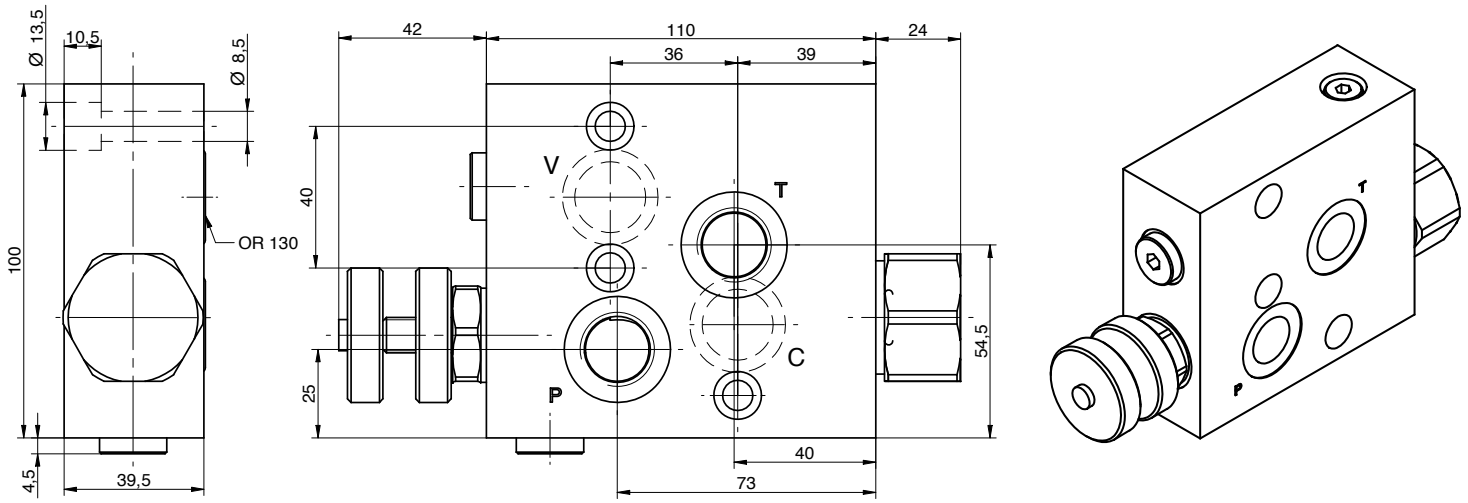
Max Flow	50 lpm
Max Pressure	350 bar
Ports	P1-P2: G 3/8

Materials: Zinc plated steel body

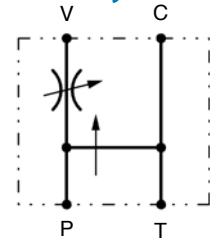
Ordering Code

VINVOMS 02

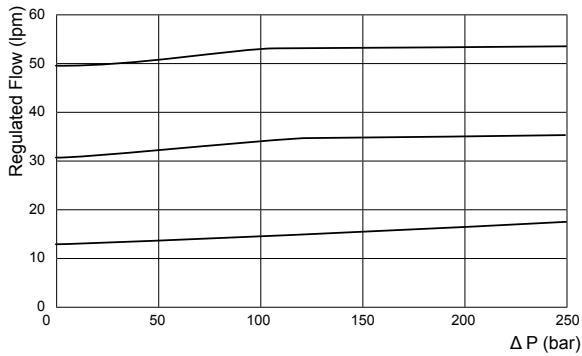
Dimensions



Hydraulic Symbol



Curves



Features

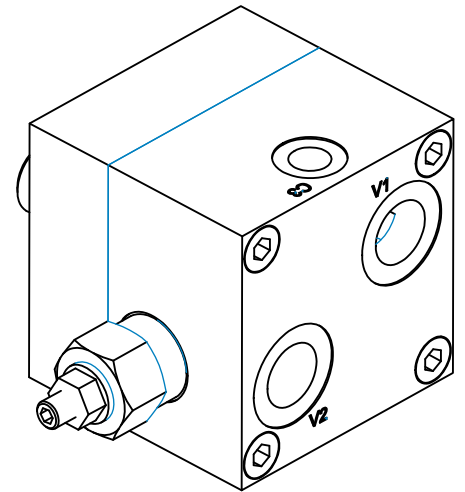
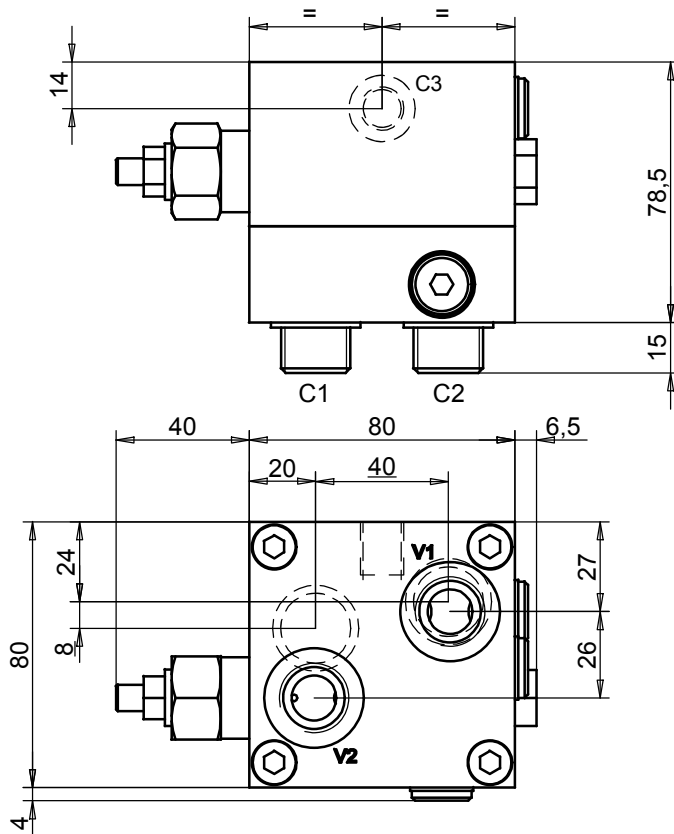
Max Inlet Flow	60 lpm
Max Adjusted Flow	50 lpm
Max Pressure	250 bar
Port Sizes	V - T: G 1/2

Materials: Aluminium body

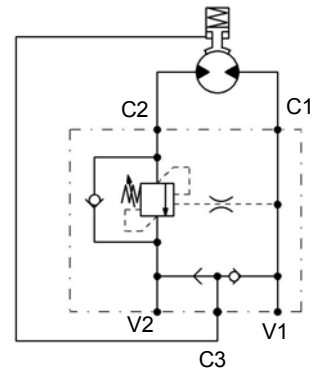
Ordering Code

PVETOMP03

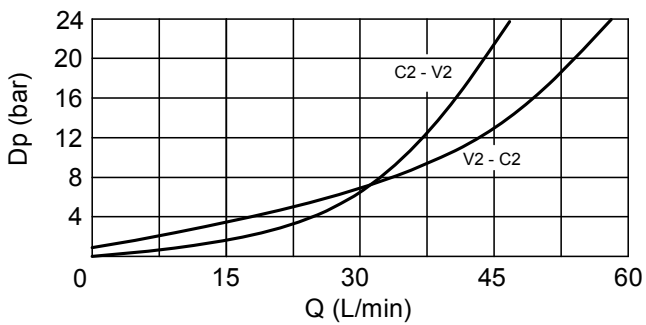
Dimensions



Hydraulic Symbol



Curves



Features

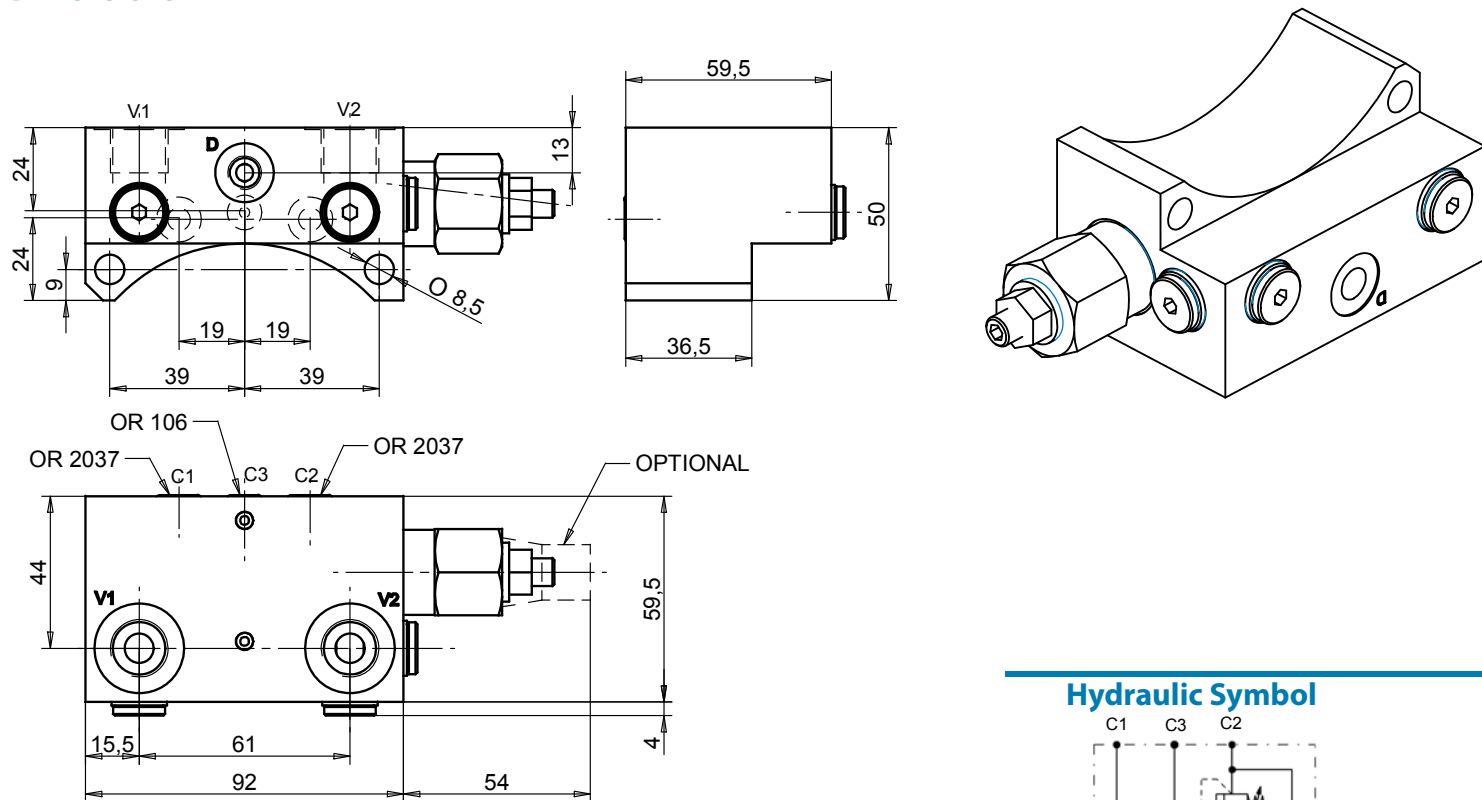
Max Flow	60 lpm
Max Pressure	250 bar
Pilot Ratio	4,2:1
Ports	V1-V2-C1-C2: G 1/2 C3: G 1/4
Std. Pressure range	100 - 350 bar

Materials: Zinc plated steel cartridge, hardened steel inner parts. Aluminium manifold.

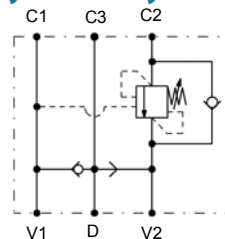
Ordering Code

CBSLSFBR 03

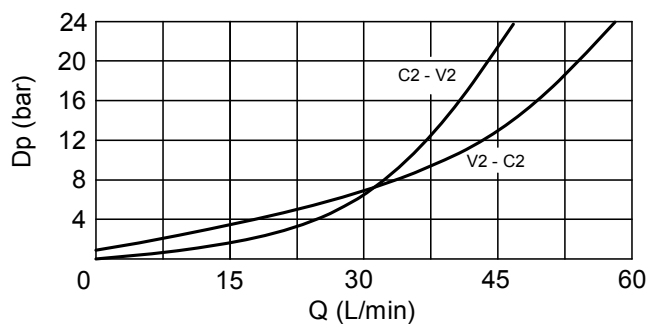
Dimensions



Hydraulic Symbol



Curves



Features

Max Flow	35 lpm
Max Pressure	250 bar
Pilot Ratio	4,2:1 Standard
Ports	V1-V2: G 3/8 C1-C2: Ø 6,5 C3: Ø 4 D: G 1/8

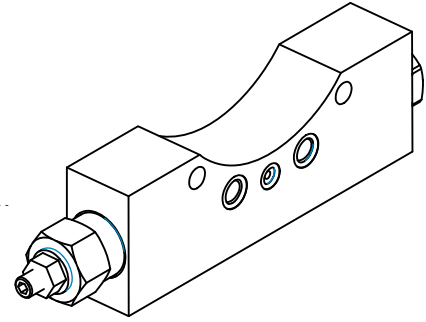
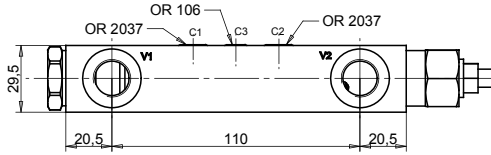
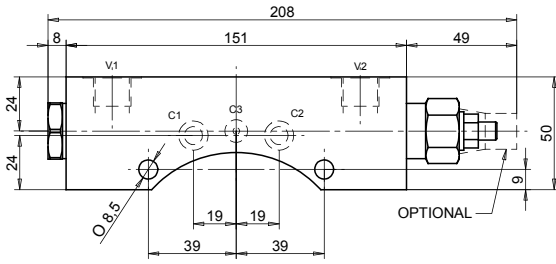
Materials: Zinc plated steel cartridge, hardened steel inner parts. Aluminium manifold.

Ordering Code

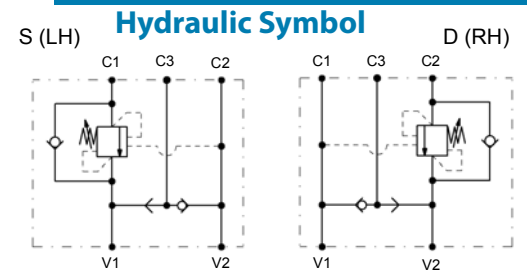
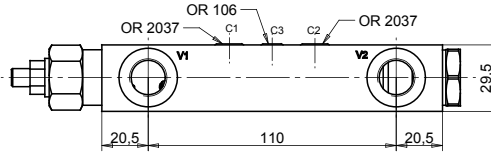
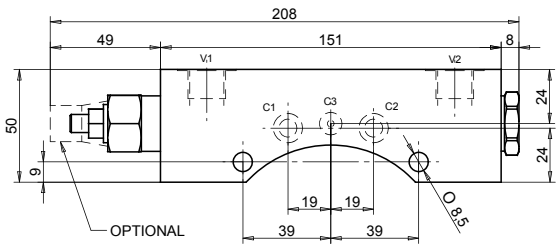
CBSLSFBRZV 02

Dimensions

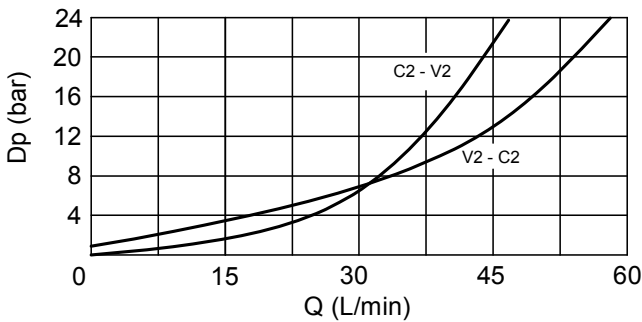
CBSLBRZVRE D 02



CBSLBRZVRE S 02



Curves



Materials: Zinc plated steel cartridge, hardened steel inner parts.
 Aluminium manifold.

Features

Max Flow	60 lpm
Max Pressure	350 bar
Pilot Ratio	4,2:1 Standard
Ports	V1-V2: G 3/8 C1-C2: Ø 8 C3: Ø 4
Std. Pressure range	100 - 350 bar

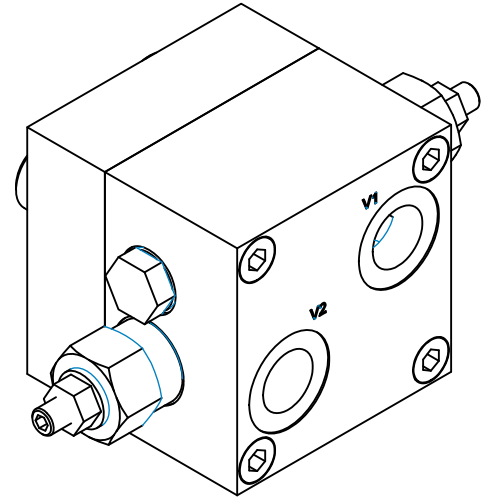
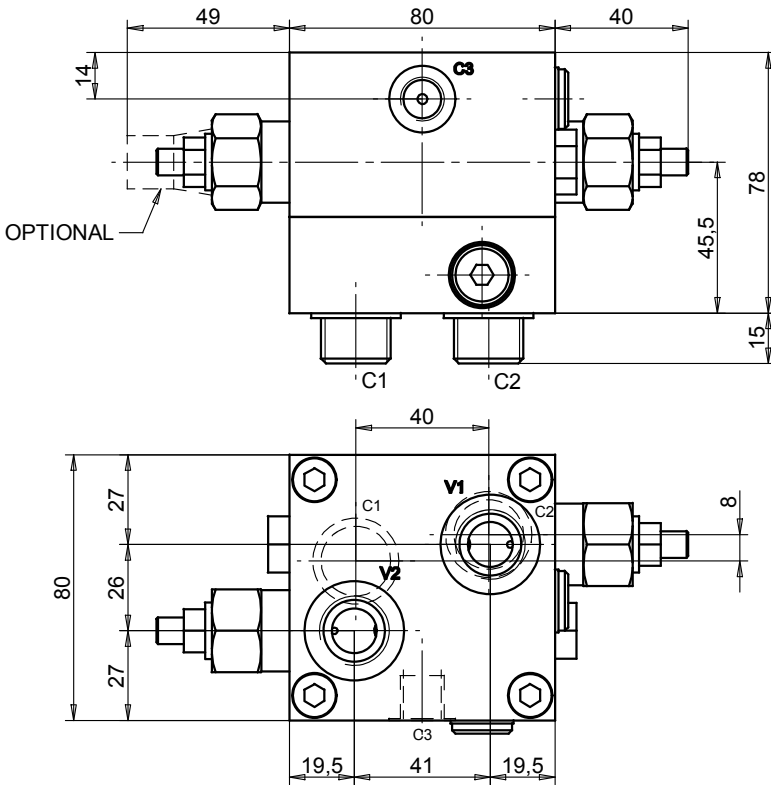
Ordering Code

CBSLBRZVRE 02 -

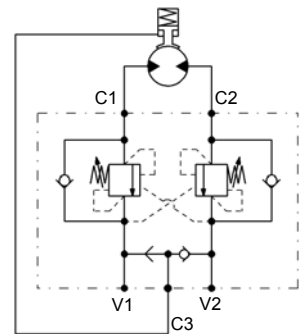
	Motor
D	Right hand size
S	Left hand size

Ordering Code Example: CBSLBRZVRE02D - Right hand size - 100-350 bar setting range.

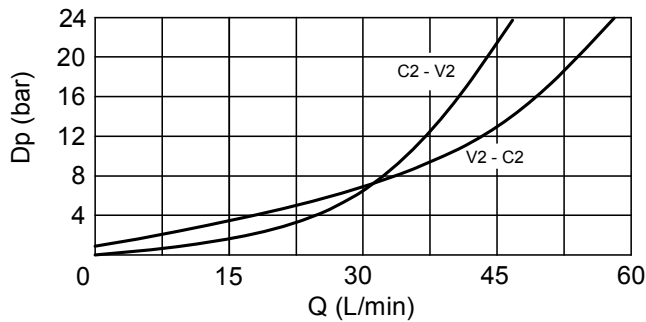
Dimensions



Hydraulic Symbol



Curves



Materials: Zinc plated steel cartridge, hardened steel inner parts.
Aluminium manifold.

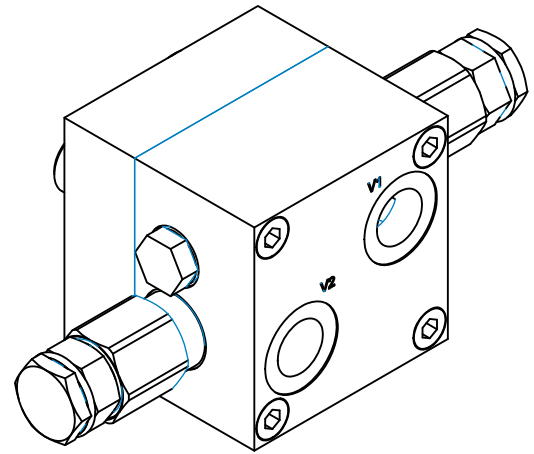
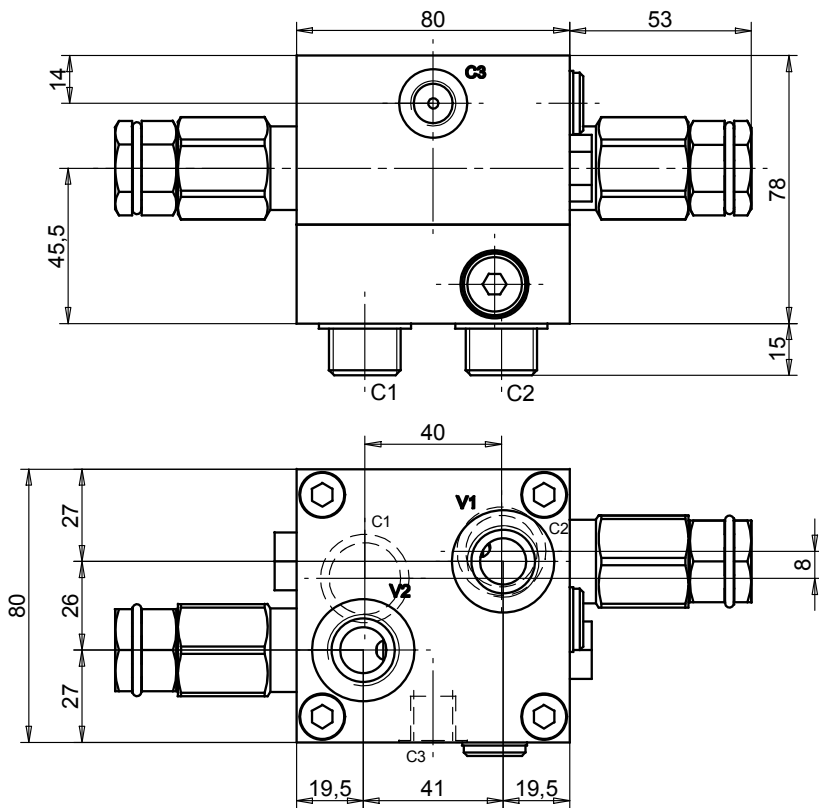
Features

Max Flow	60 lpm
Max Pressure	250 bar
Pilot Ratio	4,2:1 Standard
Ports	V1-V2: G 1/2 C1-C2: G 1/2 C3: G 1/4

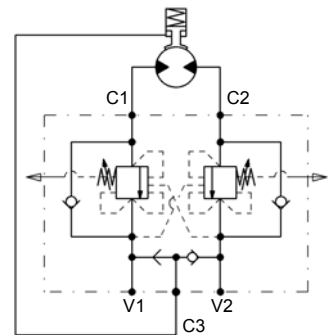
Ordering Code

CBDLSFBG 03

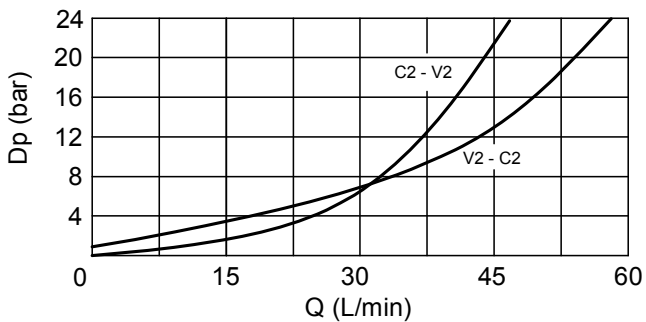
Dimensions



Hydraulic Symbol



Curves



Materials: Zinc plated steel cartridge, hardened steel inner parts.
Aluminium manifold.

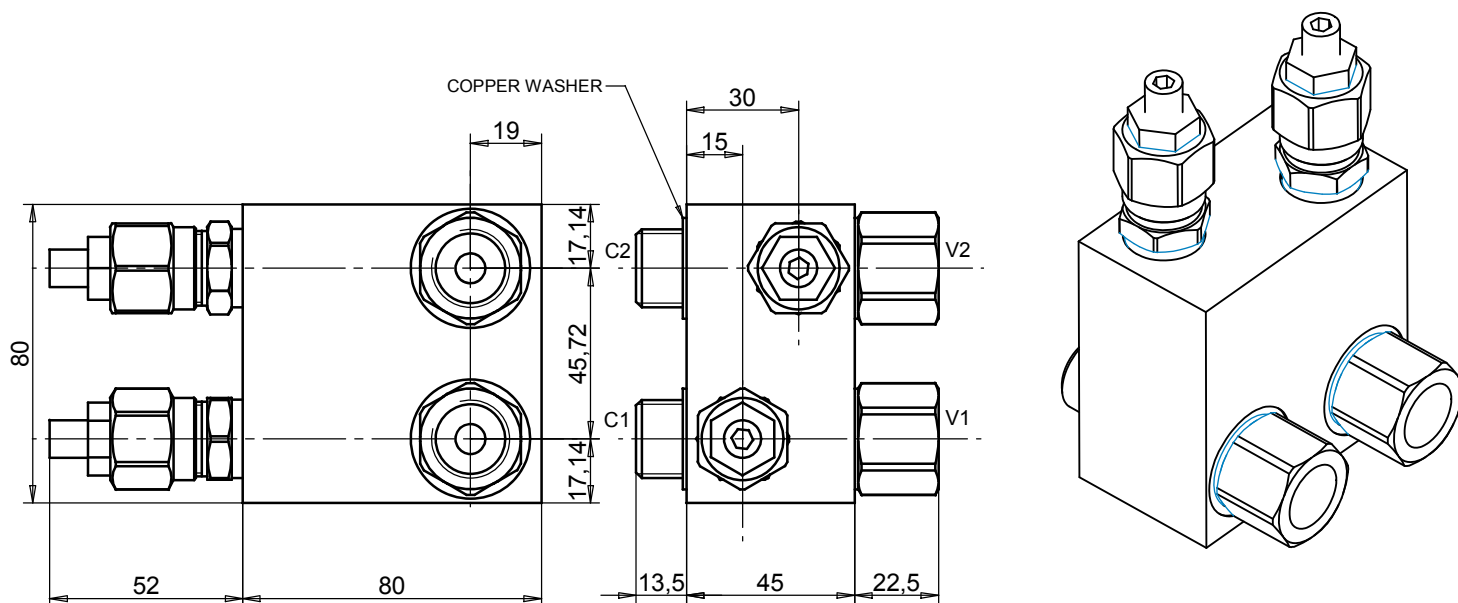
Features

Max Flow	60 lpm
Max Pressure	250 bar
Pilot Ratio	4,2:1 Standard
Ports	V1-V2: G 1/2 C1-C2: G 1/2 C3: G 1/4
Std. Pressure range	100 - 350 bar

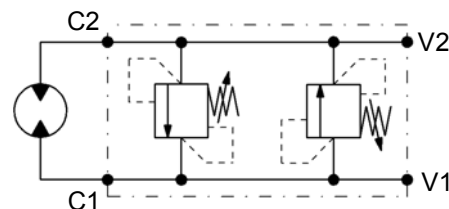
Ordering Code

CBDLSFBGCC 03

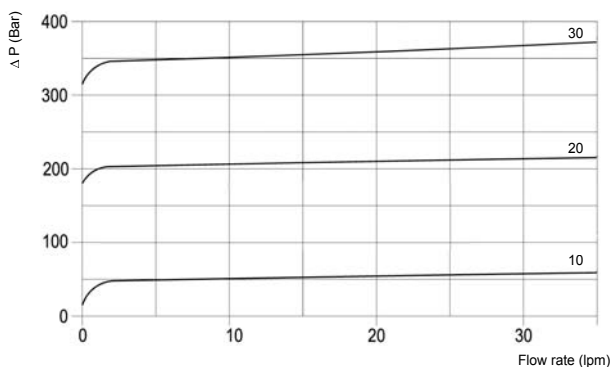
Dimensions



Hydraulic Symbol



Curves



Features

Max Flow	50 lpm
Max Pressure	250 bar
Ports	V1-V2: G 1/2 C1-C2: G 1/2
Std. Pressure range	100 - 350 bar

Materials: Zinc plated steel cartridge, hardened steel inner parts. Aluminium manifold.

Ordering Code

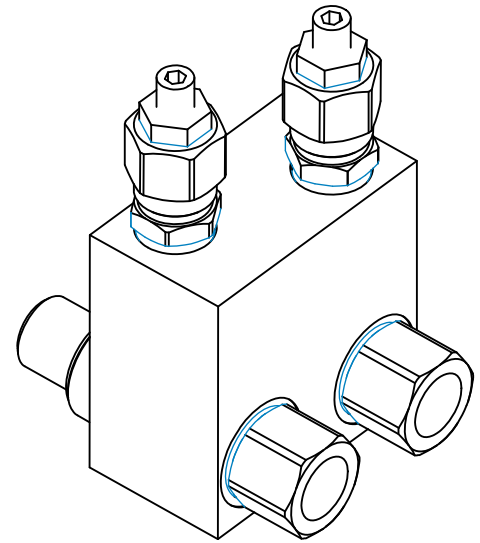
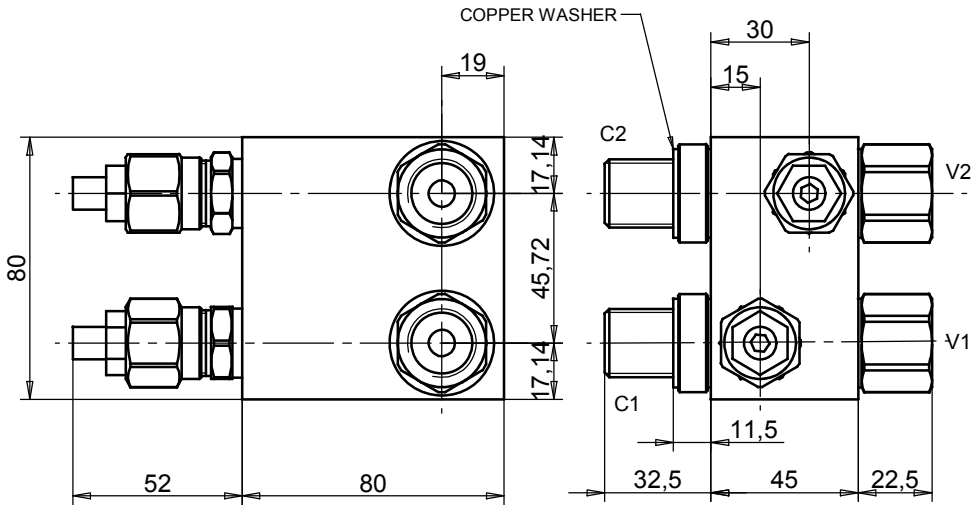
DPRCHLH-R35 03 -

Adjustments

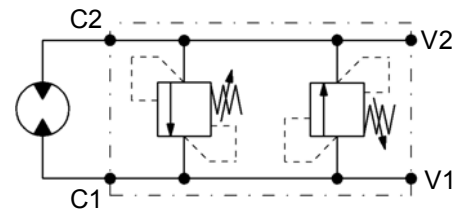
A		Socket Screw
C		Tamperproof Cap

Ordering Code Example: DPRCHLH-R3503A - 1/2" BSP Ports - 100-350 bar setting range - Socket Screw adjustment.

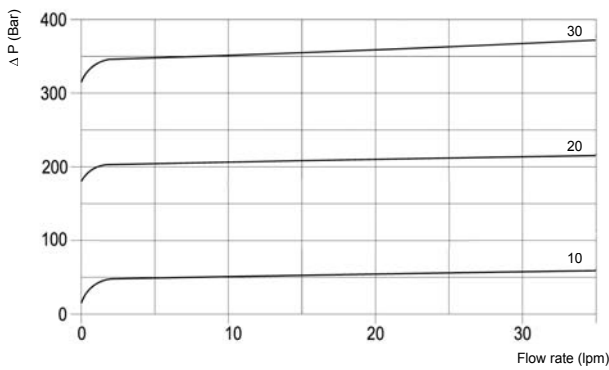
Dimensions



Hydraulic Symbol



Curves



Features

Max Flow	50 lpm
Max Pressure	250 bar
Ports	V1-V2: G 1/2 C1-C2: G 1/2

Materials: Zinc plated steel cartridge, hardened steel inner parts.
Aluminium manifold.

Ordering Code

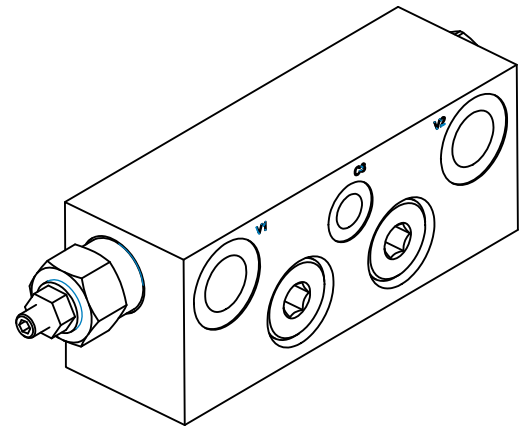
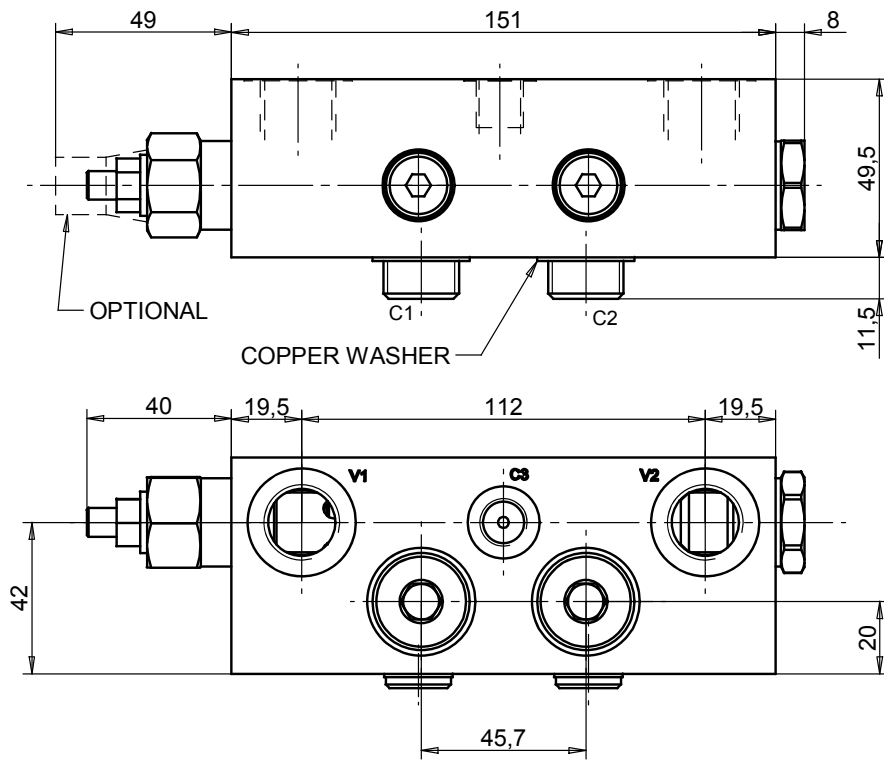
DPRCHLS-R35 03 -

Adjustments

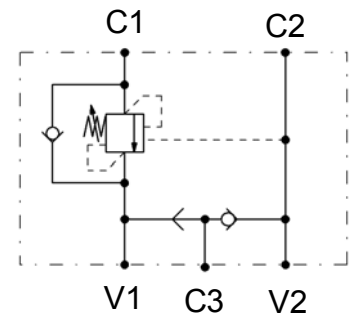
A		Socket Screw
C		Tamperproof Cap

Ordering Code Example: DPRCHLS-R3503C - 1/2" BSP Ports - 250 bar max pressure - Tamperproof Cap adjustment.

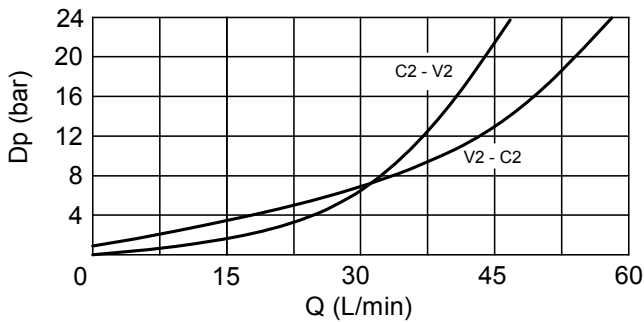
Dimensions



Hydraulic Symbol



Curves



Materials: Zinc plated steel cartridge, hardened steel inner parts.
Aluminium manifold.

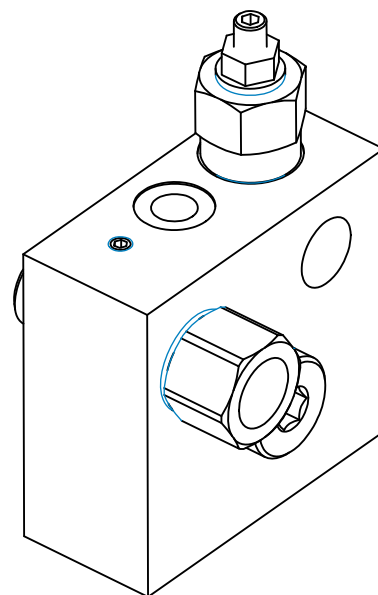
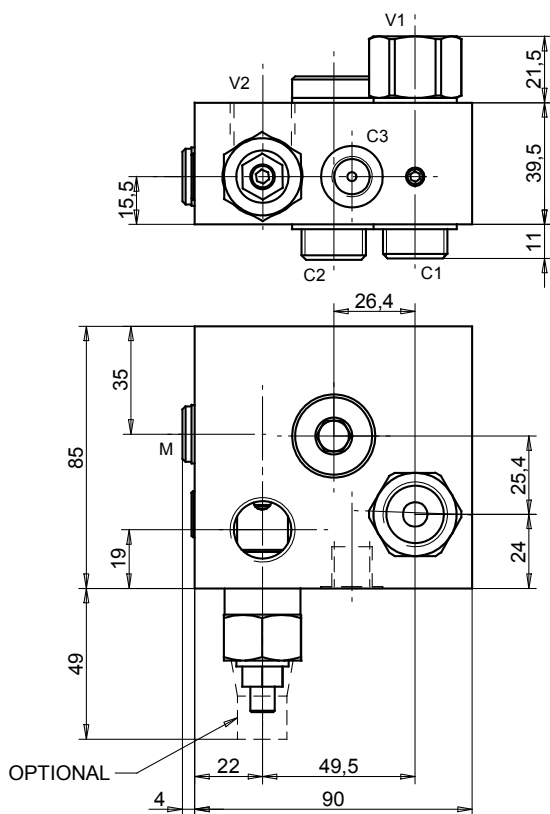
Features

Max Flow	60 lpm
Max Pressure	250 bar
Pilot Ratio	4,2:1 Standard
Ports	V1-V2: G 1/2 C1-C2: G 1/2 C3: G 1/4
Std. Pressure range	100 - 350 bar

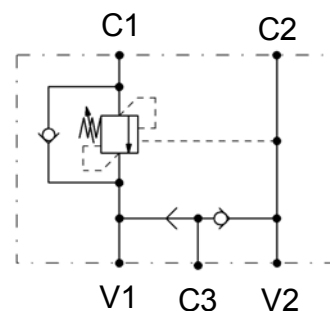
Ordering Code

CBSLSFCHLHS 03

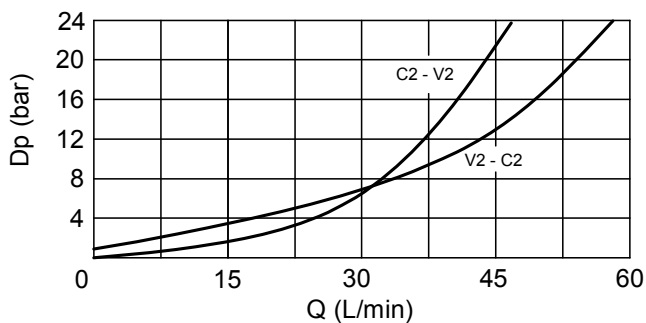
Dimensions



Hydraulic Symbol



Curves



Materials: Zinc plated steel cartridge, hardened steel inner parts.
Aluminium manifold.

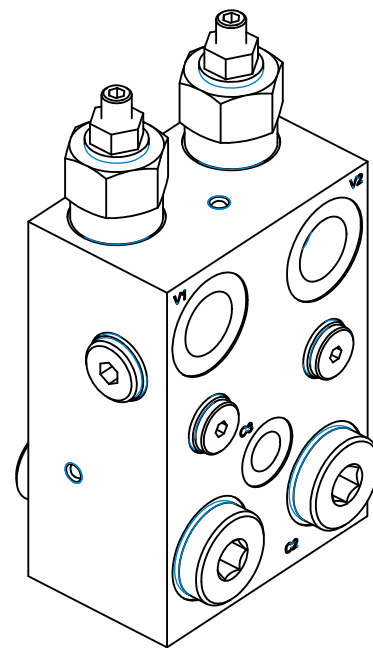
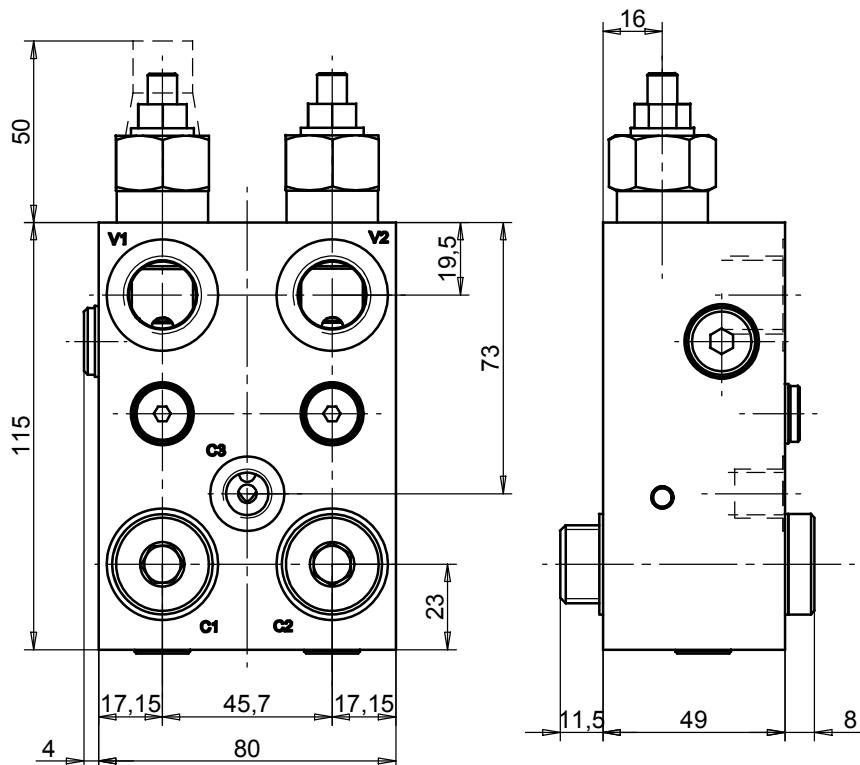
Features

Max Flow	60 lpm
Max Pressure	250 bar
Pilot Ratio	4,2:1 Standard
Ports	V1-V2: G 1/2 C1-C2: G 1/2 C3: G 1/4
Std. Pressure range	100 - 350 bar

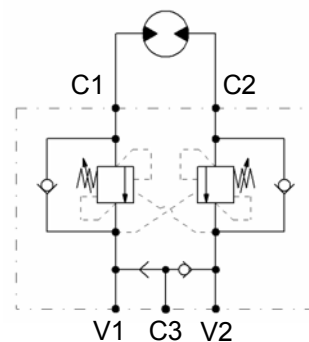
Ordering Code

CBSLSFCHLDM 03

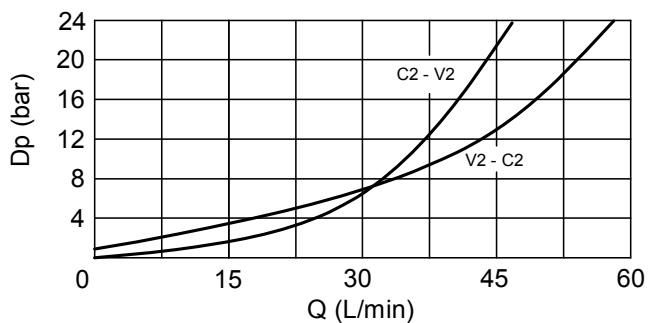
Dimensions



Hydraulic Symbol



Curves



Materials: Zinc plated steel cartridge, hardened steel inner parts.
Aluminium manifold.

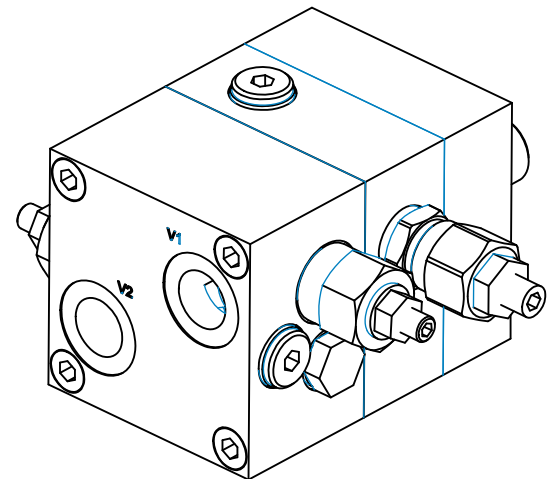
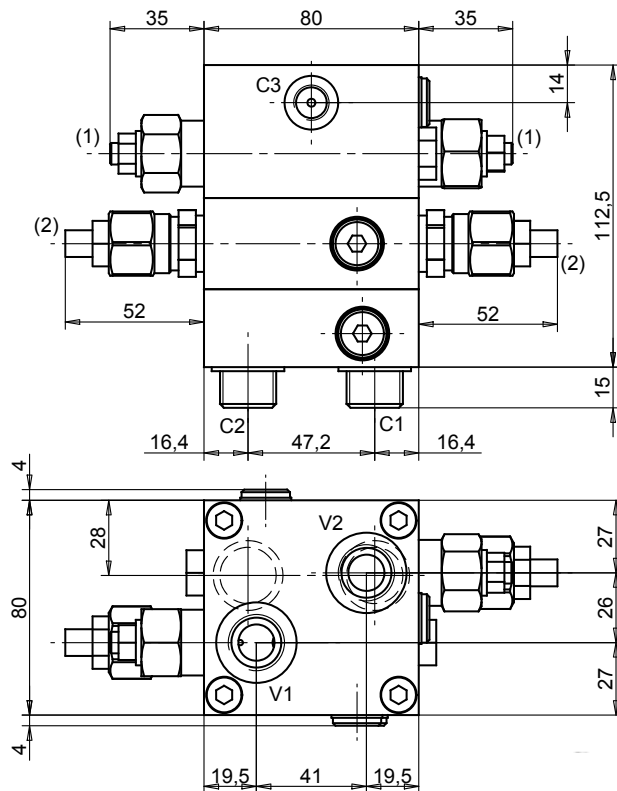
Features

Max Flow	50 lpm
Max Pressure	250 bar
Pilot Ratio	4,2:1 Standard
Ports	V1-V2: G 1/2 C1-C2: G 1/2 C3: G 1/4
Std. Pressure range	100 - 350 bar

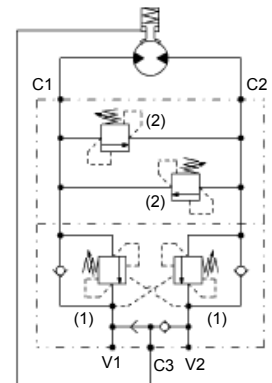
Ordering Code

CBDLSFCHLH 03

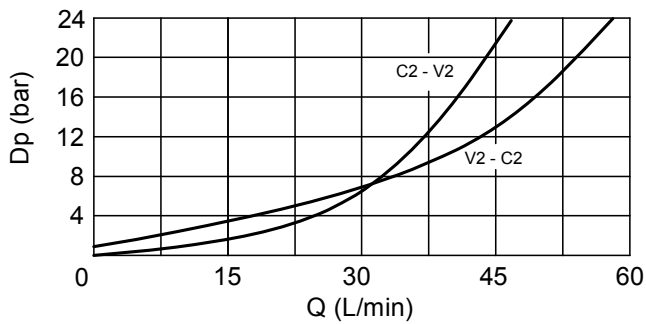
Dimensions



Hydraulic Symbol



Curves



Materials: Zinc plated steel cartridge, hardened steel inner parts.
Aluminium manifold.

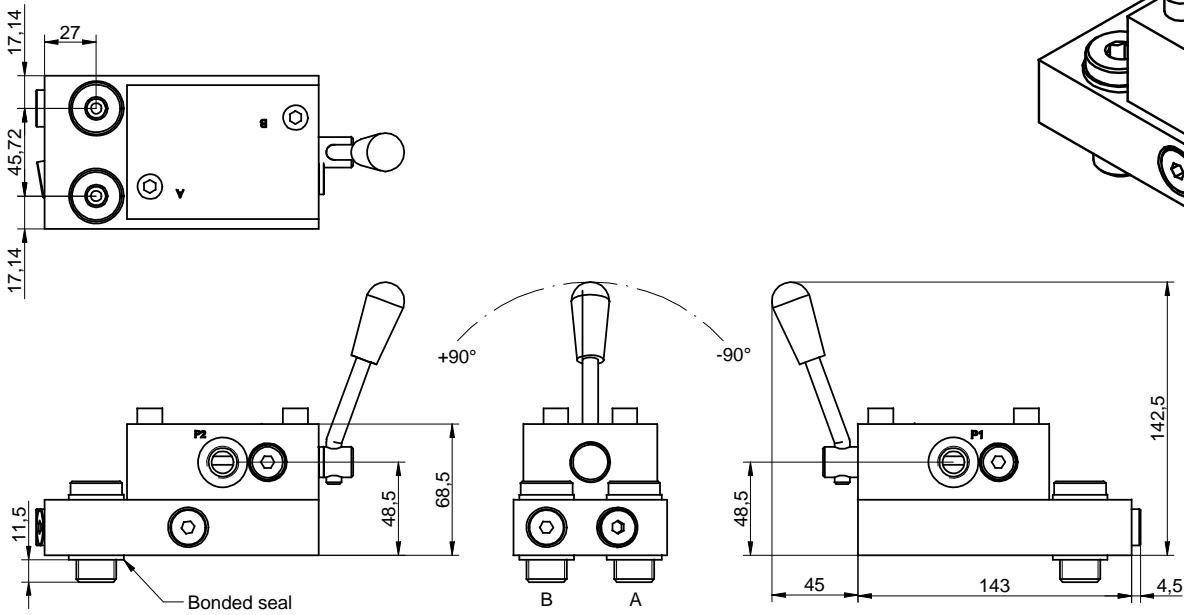
Features

Max Flow	60 lpm
Max Pressure	250 bar
Pilot Ratio	4,2:1
Ports	V1-V2: G 1/2 C1-C2: G 1/2 C3: G 1/4
Std. Pressure range	100 - 350 bar

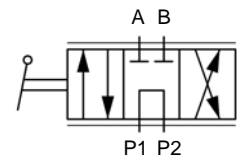
Ordering Code

CBDLSFDPCHLH 03

Dimensions



Hydraulic Symbol



Curves

Features

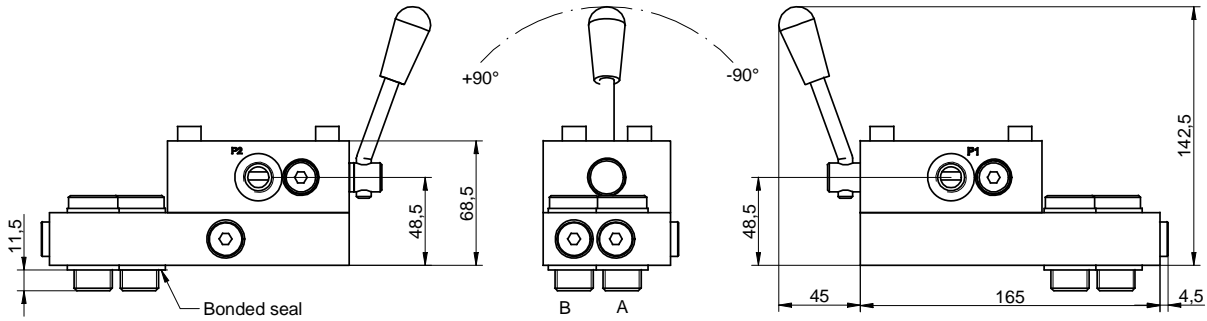
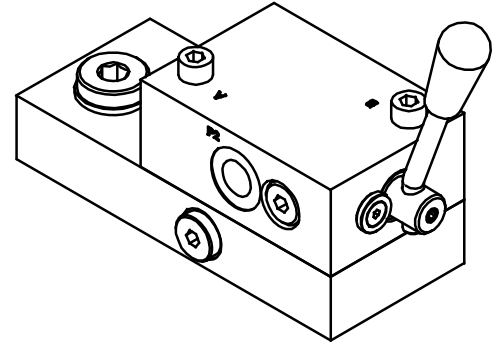
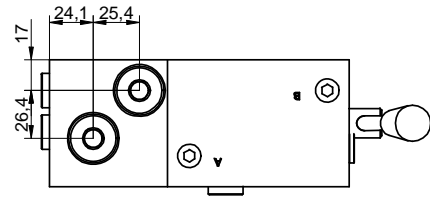
Max Flow	50 lpm
Max Pressure	350 bar
Port Sizes	P1 - P2: G 3/8 A - B: G 1/2

Materials: Zinc plated steel body

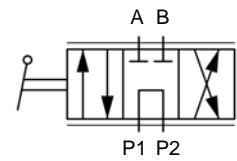
Ordering Code

VINVCHLH02

Dimensions



Hydraulic Symbol



Curves

Features

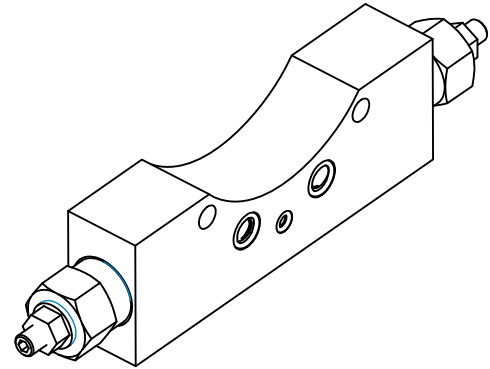
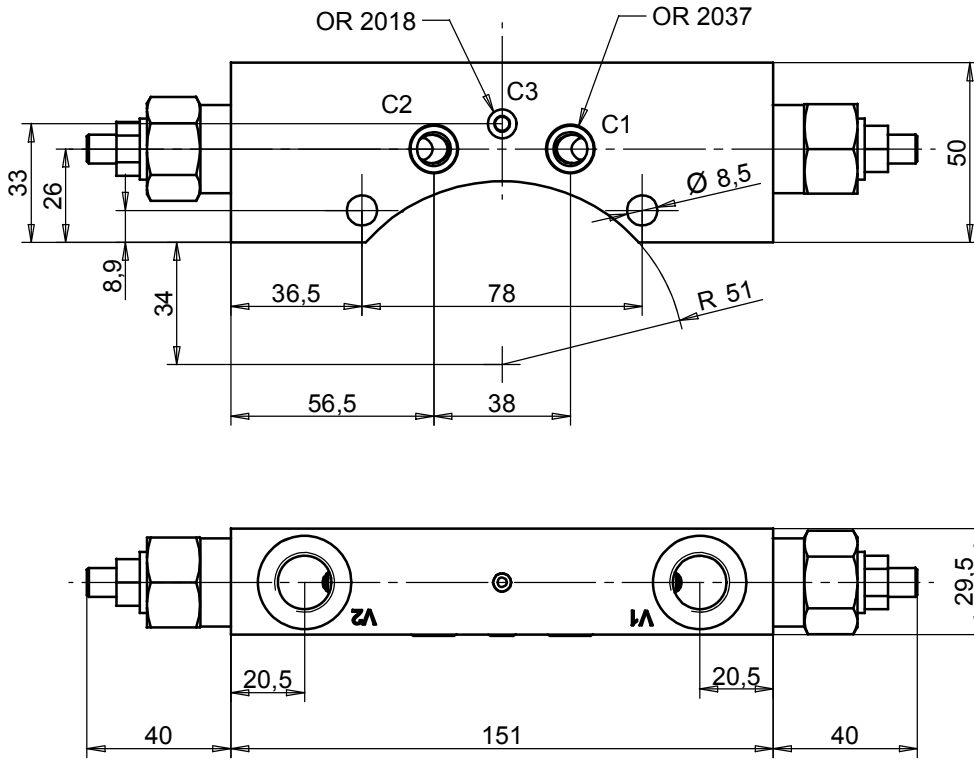
Max Flow	50 lpm
Max Pressure	350 bar
Port Sizes	P1 - P2: G 3/8 A - B: G 1/2

Materials: Zinc plated steel body

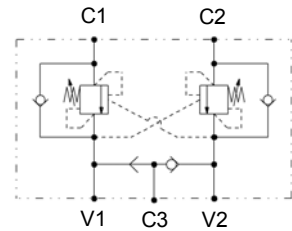
Ordering Code

VINVCHLDM02

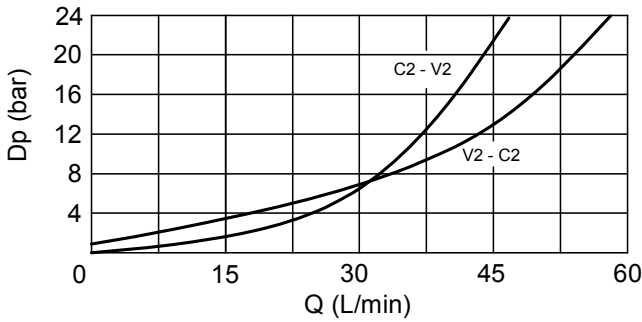
Dimensions



Hydraulic Symbol



Curves



Features

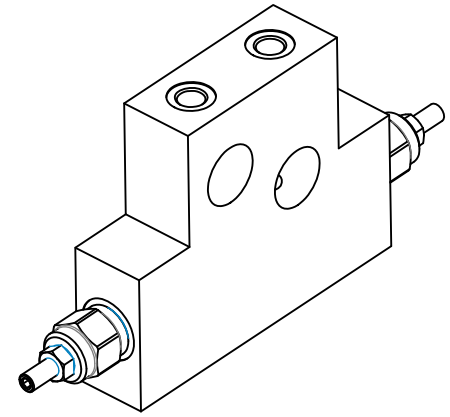
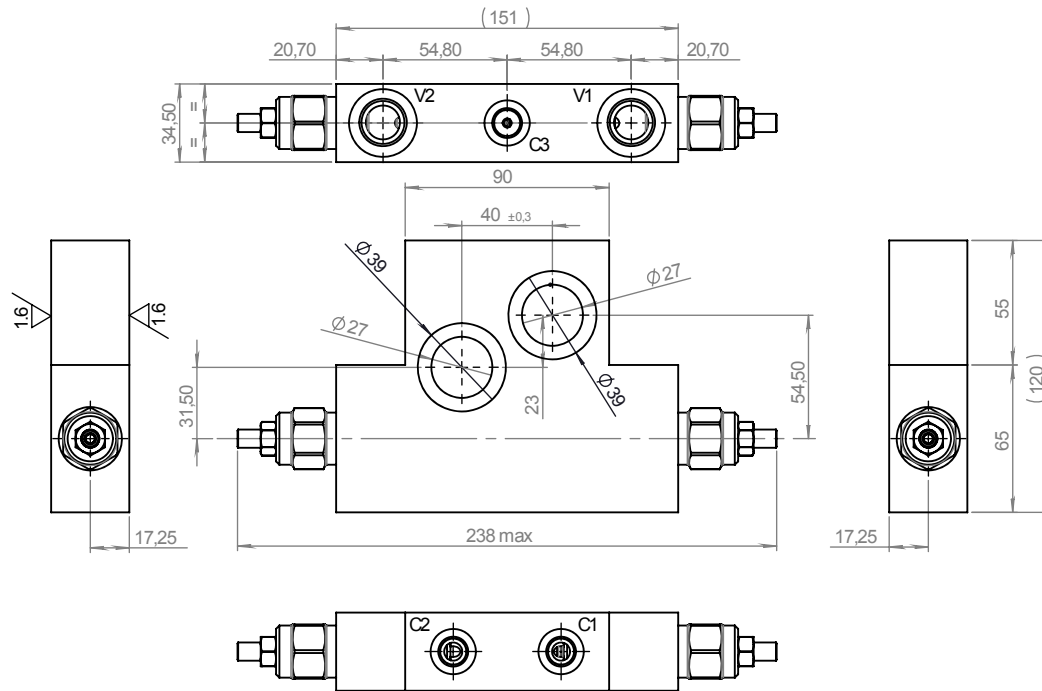
Max Flow	60 lpm
Max Pressure	250 bar
Pilot Ratio	4,2:1
Std. Pressure range	100 - 350 bar
Ports	V1-V2: G 3/8

Materials: Zinc plated steel cartridge, hardened steel inner parts.
Aluminium manifold.

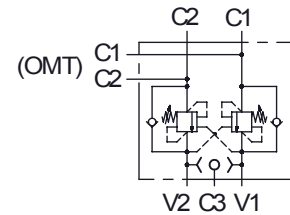
Ordering Code

CBDLSFGWP 02

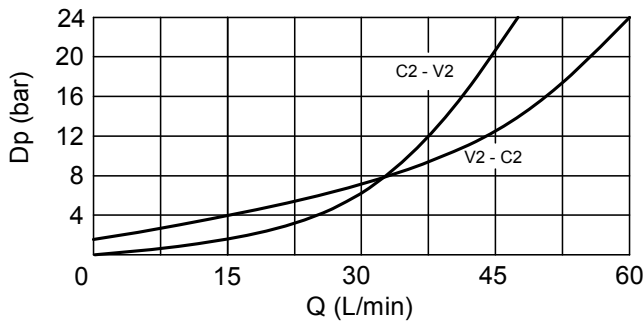
Dimensions



Hydraulic Symbol



Curves



Materials: Zinc plated steel cartridge, hardened steel inner parts.
Aluminium manifold.

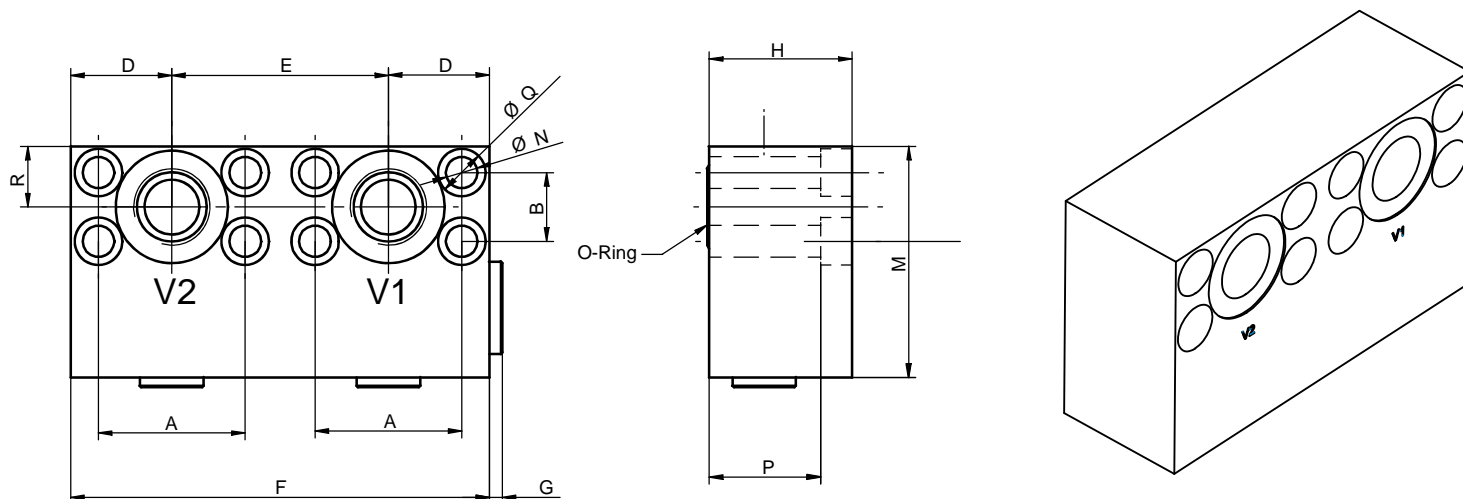
Features

Max Flow	60 lpm
Max Pressure	250 bar
Pilot Ratio	4,2:1
Std. Pressure range	100 - 350 bar
Ports V1 - V2	G 1/2
Ports C1 - C2 - C3	G 1/4

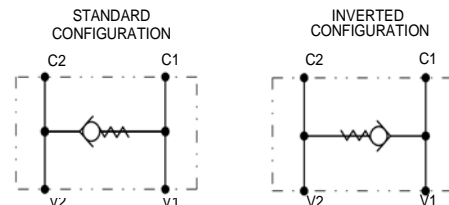
Ordering Code

CBDLSFOMT04

Dimensions



Hydraulic Symbol



Size	V1-V2 BSP	A	B	C1-C2 Ø	D	E	F	G	H	M	N Ø	P	Q Ø	R	Weight kg
03	1/2	40,5	18,2	13,5	28	59	115	4,5	39,5	70	13,5	29,5	8,5	17	2,05
04	3/4	50,8	23,8	19	35	75	145	4,5	49,5	80	16,5	38,5	11	21	3,55
05	1	57,2	27,8	25	39,5	84	163	4,5	49,5	90	18,5	36	12,5	25	4,38
06	1	66,7	31,8	30	47,5	99	194	4,5	59,5	100	22	45,5	15	28	7,95

Features

Size	03	04	05	06
Max Pressure (bar)	350	350	350	350
Max Flow (lpm)	120	170	250	320
V1 - V2 Ports (BSP)	1/2	3/4	1	1
C1 - C2 Ports (Ø mm)	13,5	19	25	30
Cracking Pressure (bar)	0,5	0,5	0,5	0,5

Materials: Zinc plated steel body.

Ordering Code

ACVSU -- -

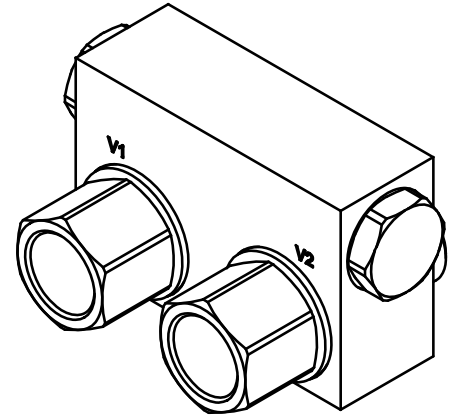
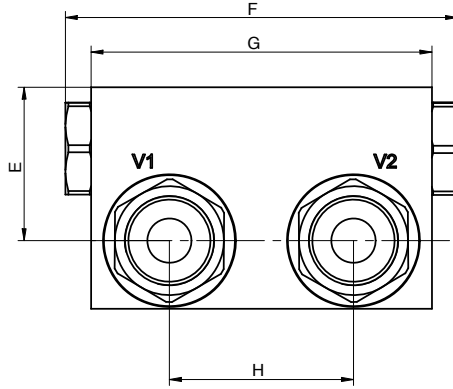
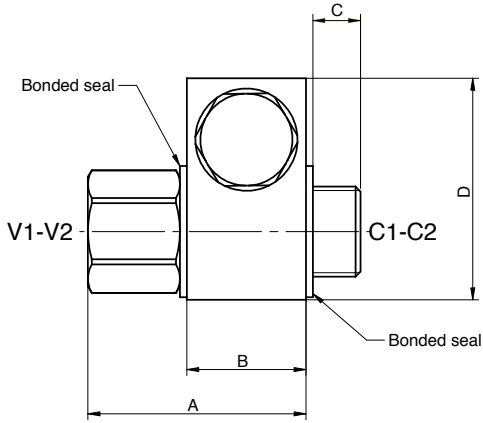
	V1-V2 Size (BSP)	C1-C2 Size (Ømm)
03	1/2	13,5
04	3/4	19
05	1	25
06	1	30

Configuration

	Standard configuration
R	Inverted configuration

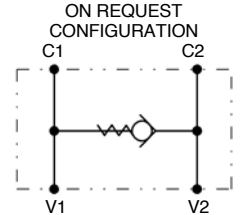
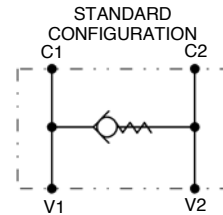
Ordering Code Example: ACVSU04R = 3/4 BSP (V1 - V2), Ø19 mm (C1 - C2), inverted configuration

Dimensions



Size	A	B	C	D	E	F	G	H	Weight kg
04	64	35	14	65	45	115	100	54	-
05	78	45	18	80	55	129	110	60	-

Hydraulic Symbol



Curves

Features

Size	04	05
Max Flow	120 lpm	150 lpm
Max Pressure	350 bar	350 bar
Port Sizes	V - C: G 3/4	V - C: G 1"

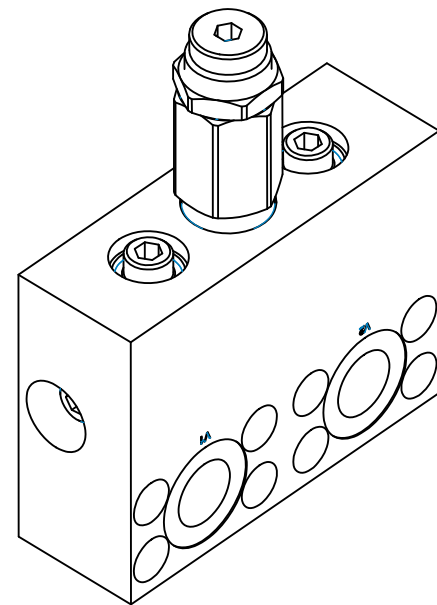
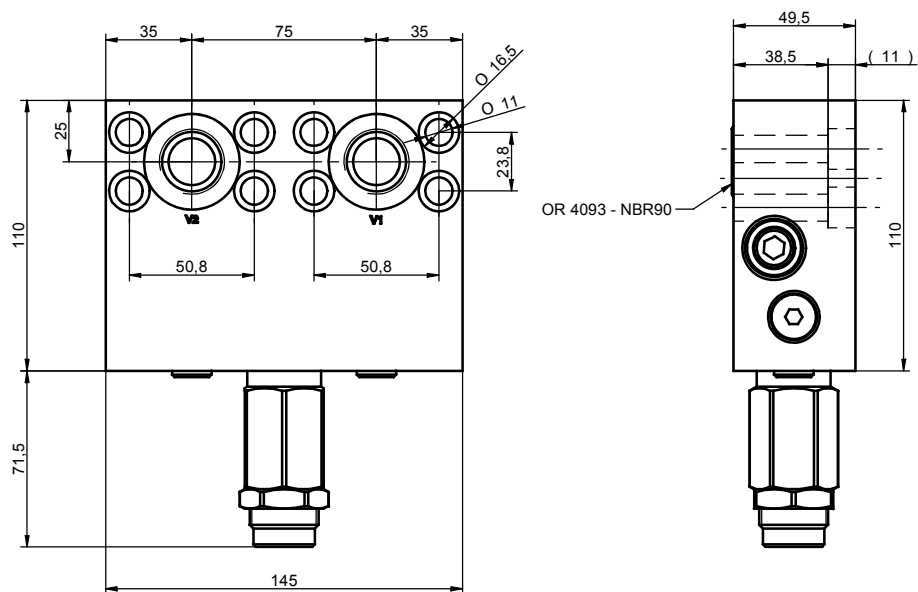
Materials: Zinc plated steel body.

Ordering Code

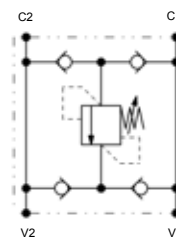
ACVSUBHL	--
	Port Size BSP
04	3/4
05	1"

Ordering Code Example: ACVSUBHL04 = 3/4 Port Size

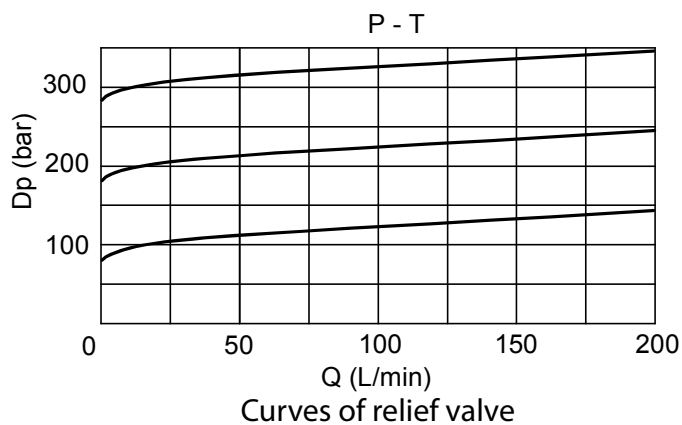
Dimensions



Hydraulic Symbol



Curves



Features

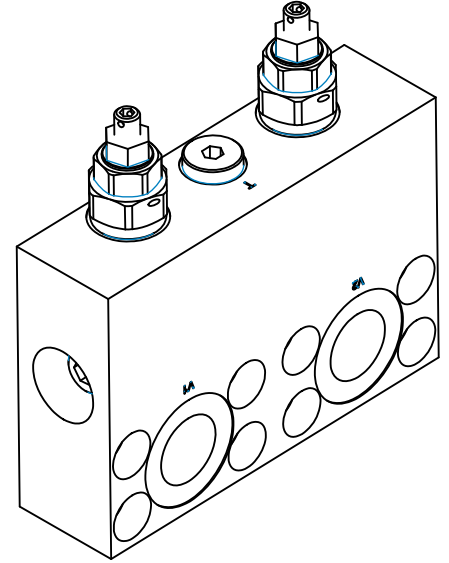
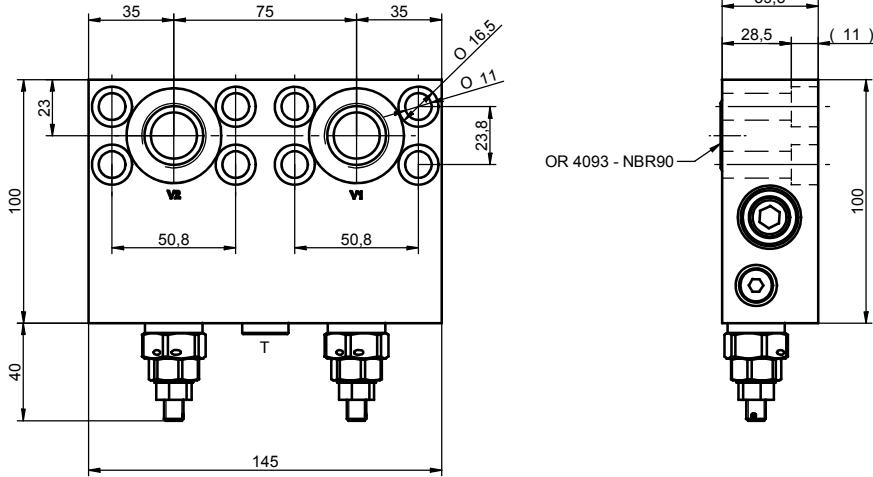
Max Flow	170 lpm
Max Pressure	350 bar
Relief Pressure Range	100 - 350 bar
Ports	V1-V2: G 3/4 C1-C2: \varnothing 19 mm

Materials: Zinc plated steel manifold, hardened steel inner parts.

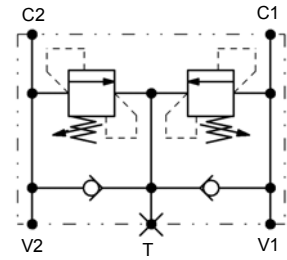
Ordering Code

ACVDRSUA04

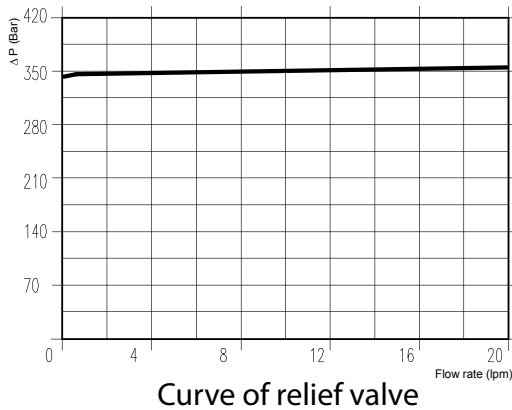
Dimensions



Hydraulic Symbol



Curves



Features

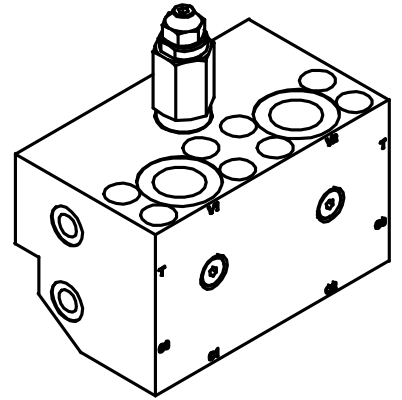
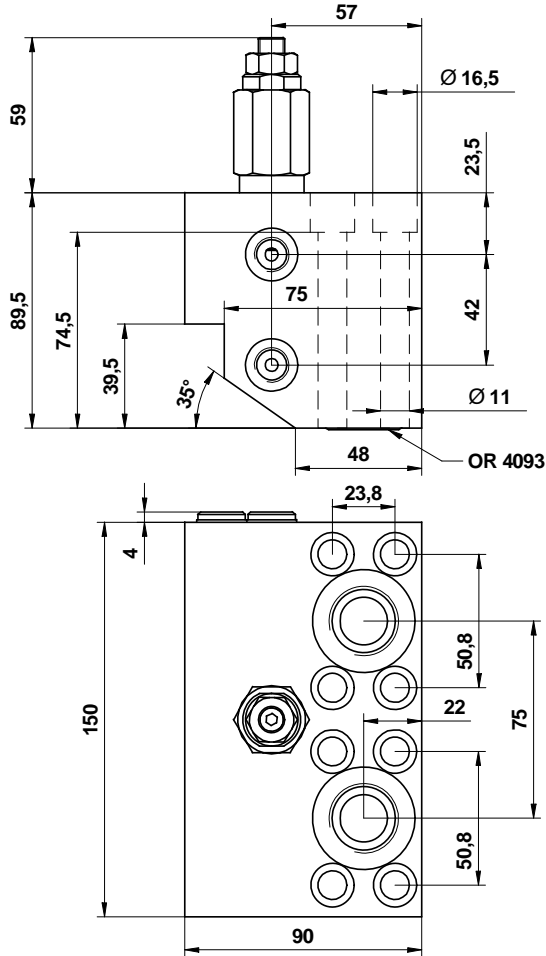
Max Flow	170 lpm
Max Pressure	350 bar
Relief Pressure Range	100 - 350 bar
Relief Max Flow	20 lpm
Ports	V1-V2: G 3/4 C1-C2: \varnothing 19 mm

Materials: Zinc plated steel manifold, hardened steel inner parts.

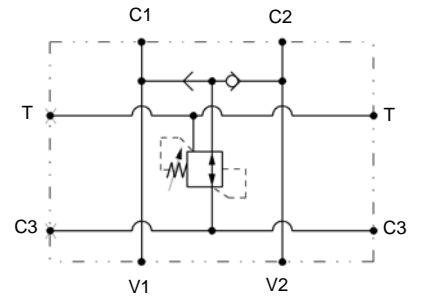
Ordering Code

ACVDRSUB04

Dimensions



Hydraulic Symbol



Curves

Features

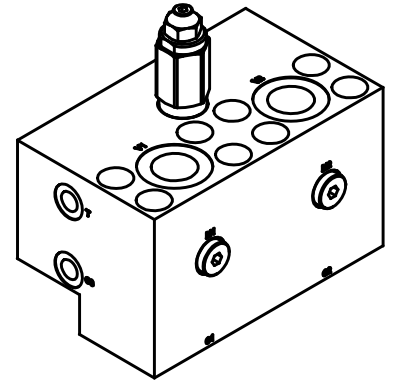
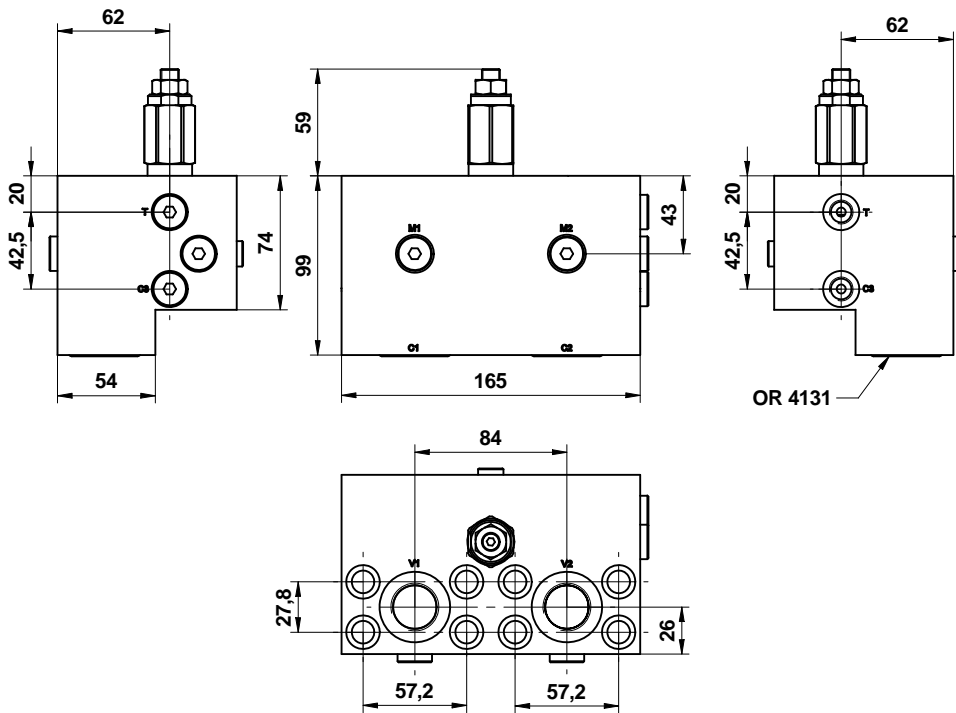
Brake pressure reduced range	20-140 bar
Port Sizes	V1 - V2: G 3/4 C1 - C2: 3/4" SAE 6000 C3 - T: G 1/4

Materials: Aluminium body

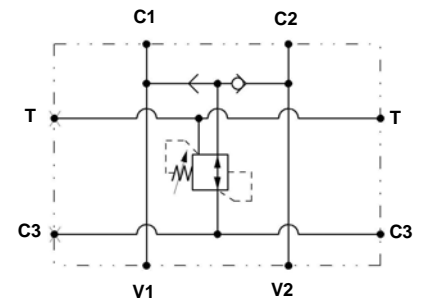
Ordering Code

VPREDF04S04

Dimensions



Hydraulic Symbol



Curves

Features

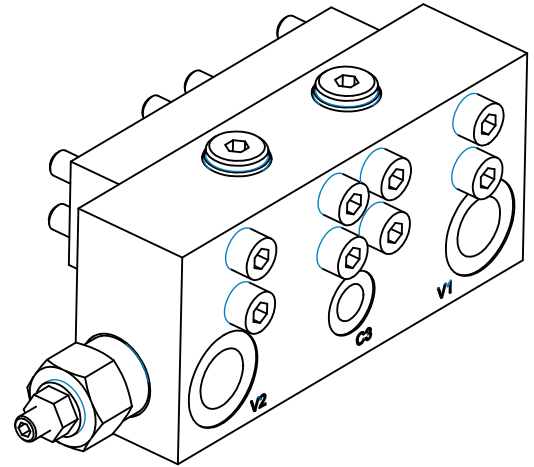
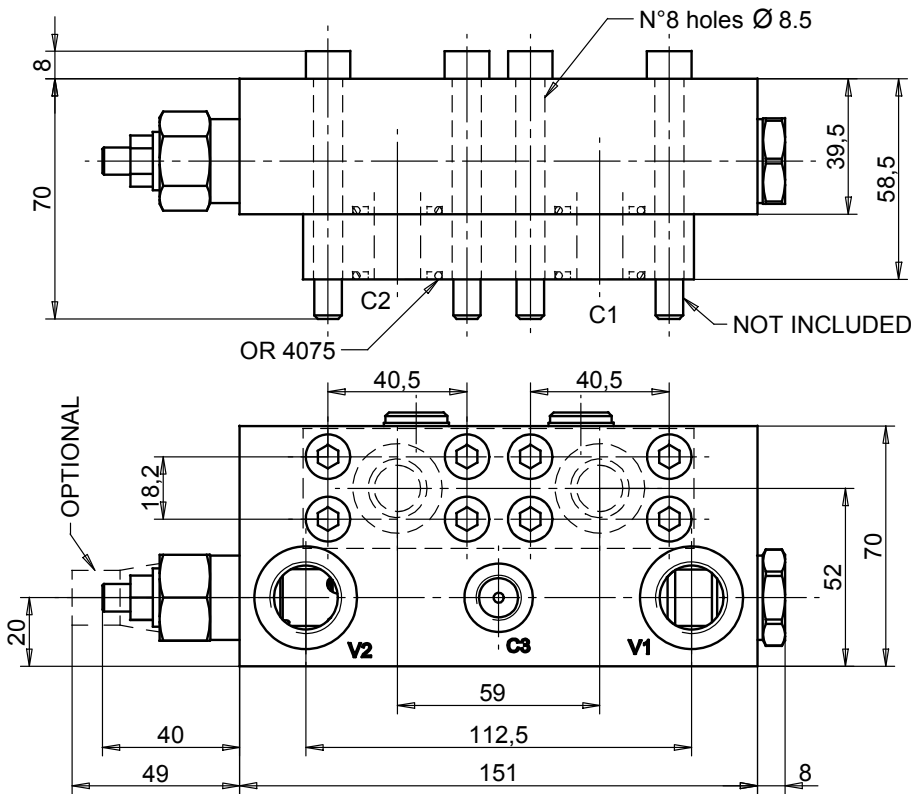
Brake pressure reduced range	20-140 bar
Standard setting	35 bar
Port Sizes	V1 - V2: G 3/4 C1 - C2: 1" SAE 6000 C3 - T - M1 - M2: G 1/4

Materials: Aluminium body

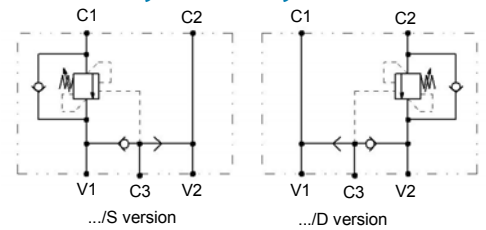
Ordering Code

VPREDF05S04

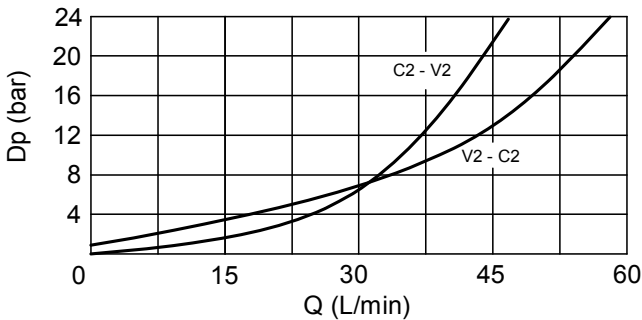
Dimensions



Hydraulic Symbol



Curves



Materials: Zinc plated steel cartridge, hardened steel inner parts.
Aluminium manifold.

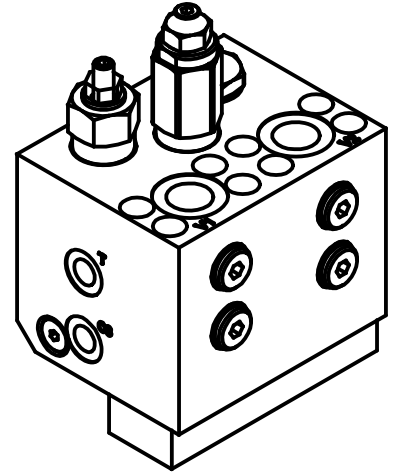
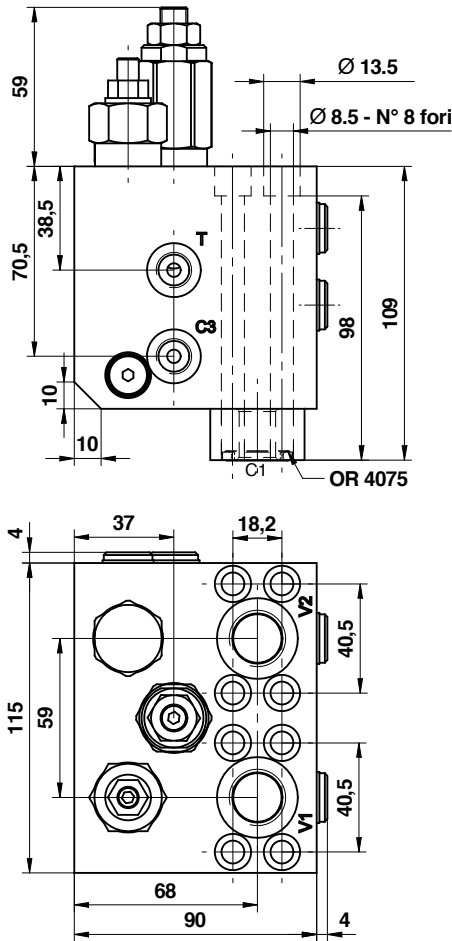
Features

Max Flow	60 lpm
Max Pressure	250 bar
Pilot Ratio	4,2:1- Standard
Ports	V1-V2: G 1/2 C1-C2: 1/2 SAE 6000 C3: G 1/4
Std. Pressure range	100 - 350 bar

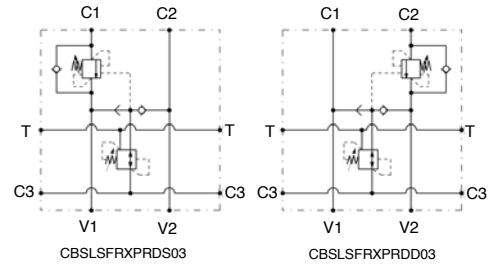
Ordering Code

CBSLSFRX 03

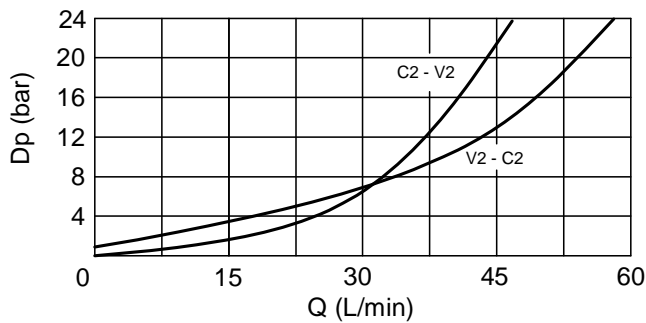
Dimensions



Hydraulic Symbol



Curves



Features

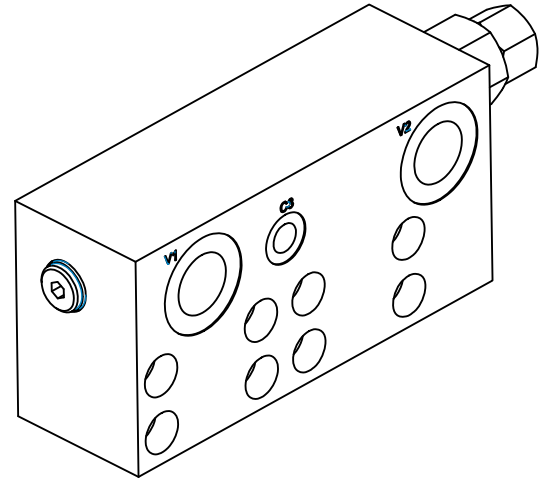
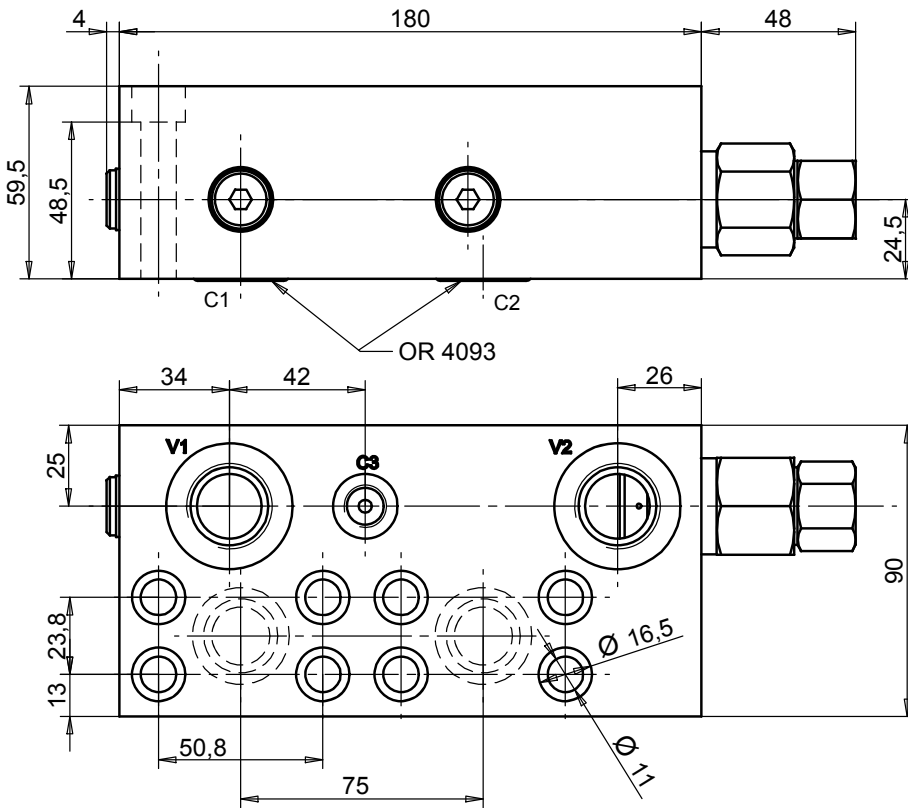
Flow max	60 lpm
Pressure max	280 bar (350 bar with steel body)
Overcentre pressure range	100-350 bar
Pilot Ratio	4,2:1
Brake pressure reduced range	30-200 bar
Port Sizes	V1 - V2: G 1/2 C1 - C2: 1/2" SAE 6000 C3 - T: G 1/4

Materials: Aluminium (standard), Zinc plated steel body (on request)

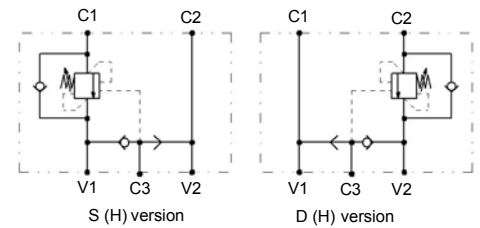
Ordering Code

CBSLSFRXPRD03

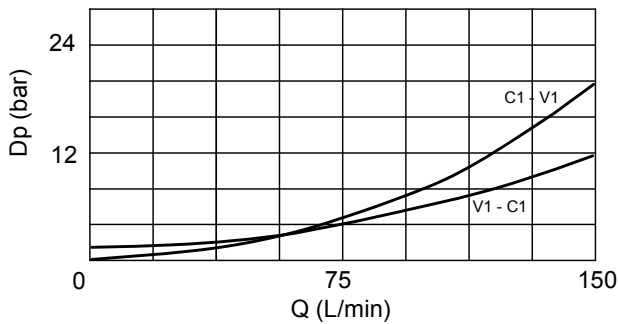
Dimensions



Hydraulic Symbol



Curves



Materials: Zinc plated steel cartridge, hardened steel inner parts.
Aluminium manifold.

Features

Max Flow	120 lpm
Max Pressure	350 bar
Pilot Ratio	4:1 Standard
Ports	V1-V2: G 3/4 C1-C2: 3/4 SAE 6000 C3: G 1/4
Std. Pressure range	100 - 350 bar

Ordering Code

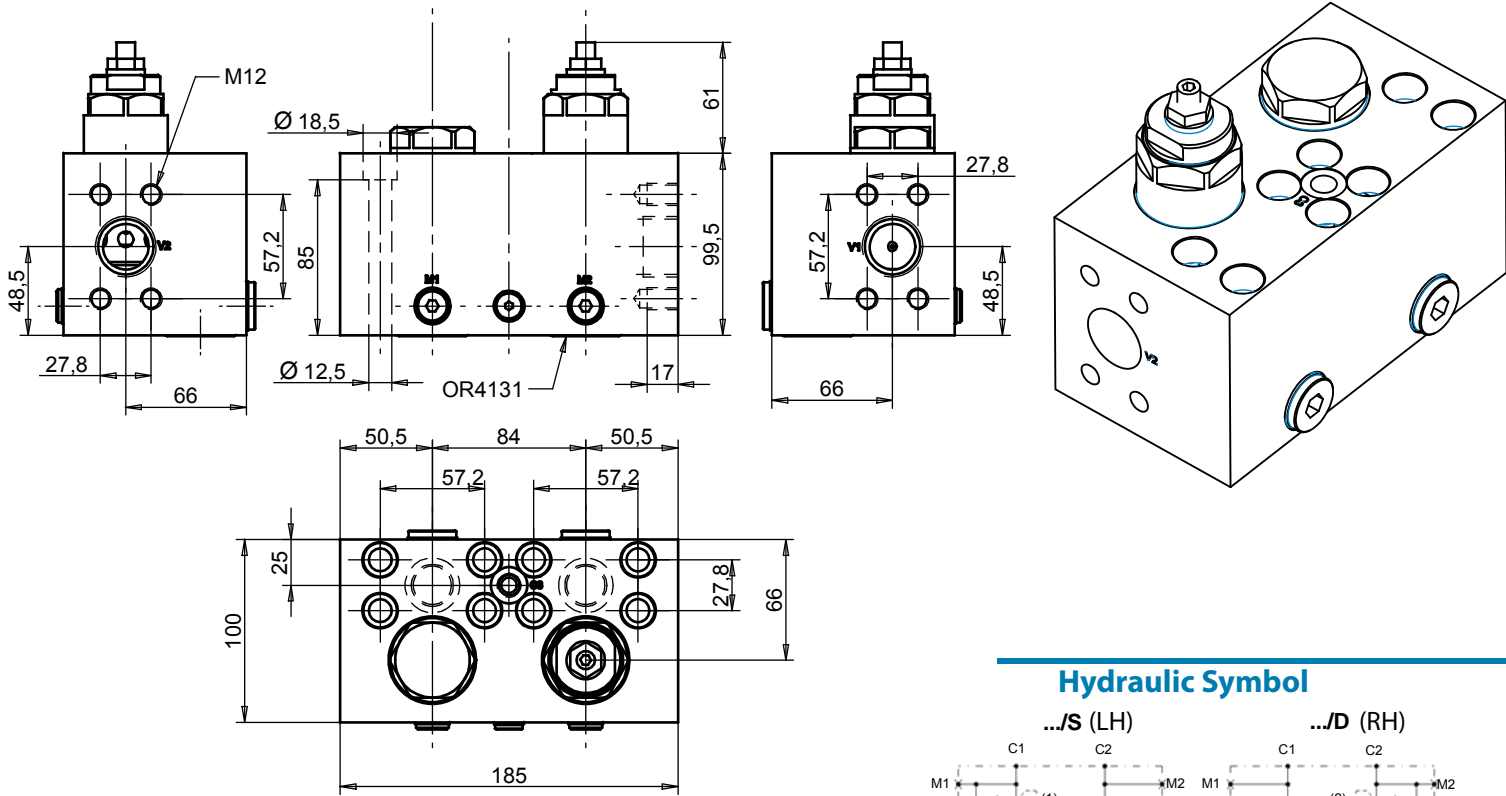
CB150SLSFRX 04 -

Valve side

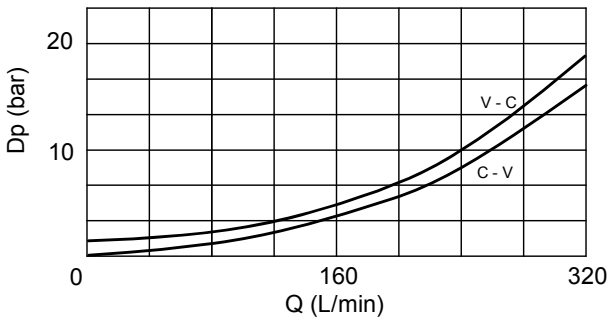
D	Right hand side
S	Left hand side

Ordering Code Example: CB150SLSFRX04D - 100-350 bar setting range - Right hand side.

Dimensions



Curves



Materials: Zinc plated steel body

Features

Max Flow	320 lpm
Max Pressure	350 bar
Pilot Ratio	4:1 Standard
Std. Pressure range	140-350 bar
Ports	V1-V2: 1" SAE 6000 C1-C2: 1" SAE 6000 C3-M1-M2: G 1/4

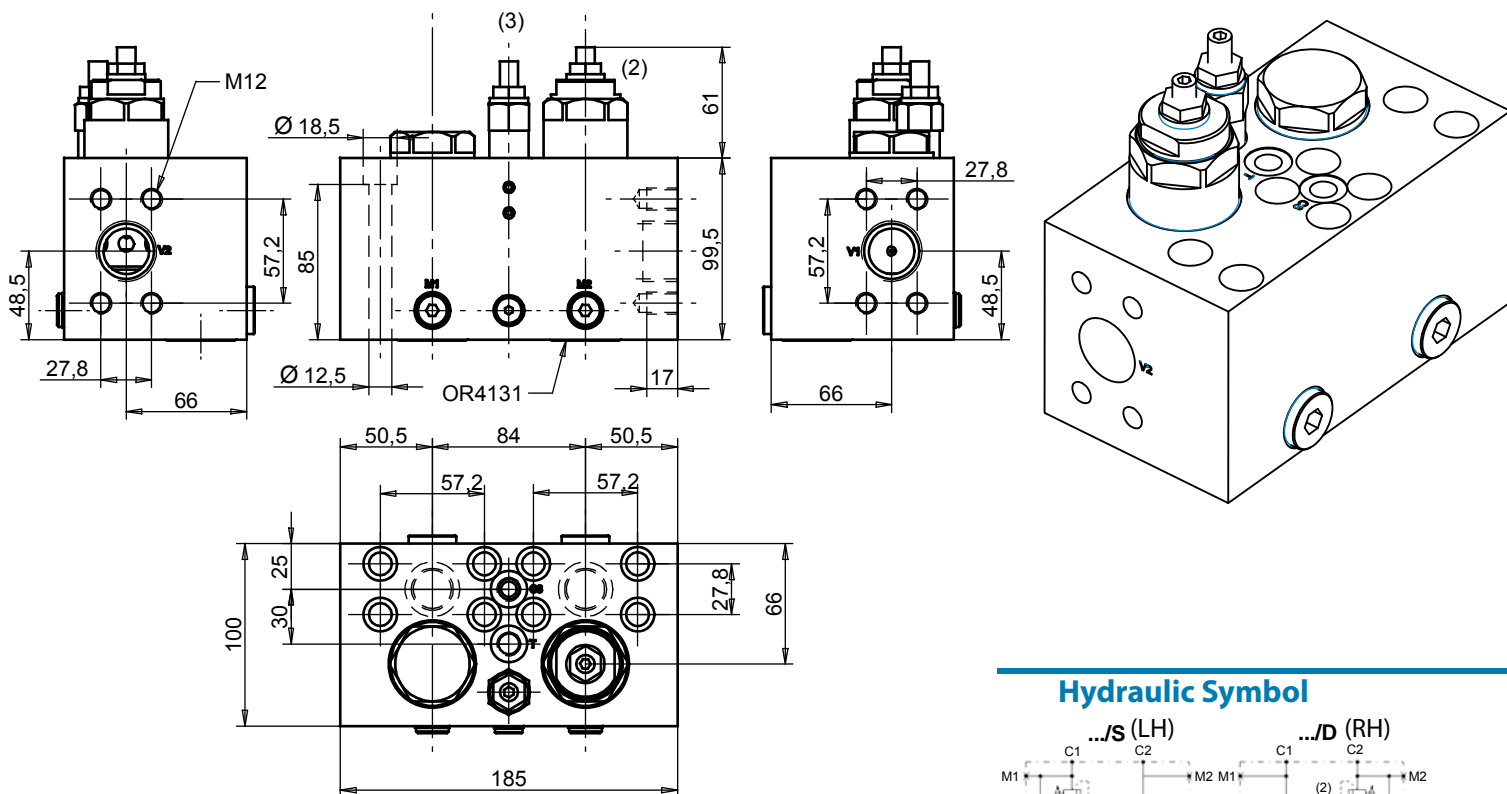
Ordering Code

CBCE300SLSFRX 05 -

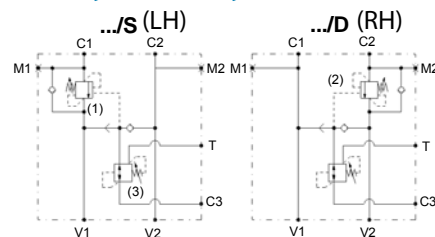
Valve side	
D	Right hand side
S	Left hand side

Ordering Code Example: CBCE300SLSFRX05S - 140-350 bar setting range - Left hand side.

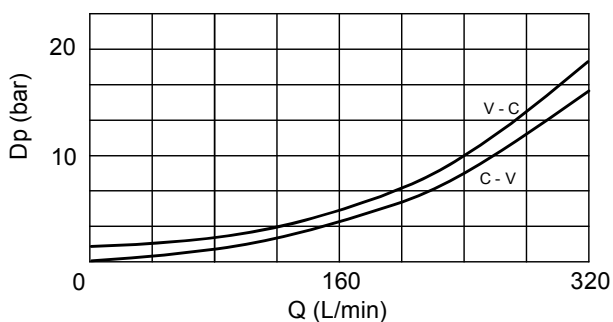
Dimensions



Hydraulic Symbol



Curves



Materials: Zinc plated steel body.

Features

Max Flow	320 lpm
Max Pressure	350 bar
Pilot Ratio	4:1 Standard
Std. Pressure range	(2):140-350 bar / (3):10-100 bar
Ports	V1-V2: 1" SAE 6000 C1-C2: 1" SAE 6000 C3-T-M1-M2: G 1/4

Ordering Code

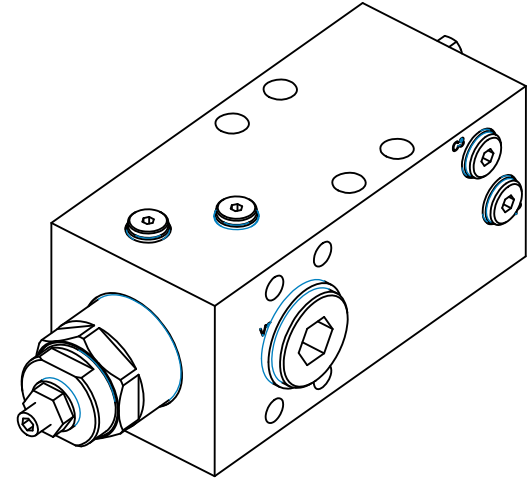
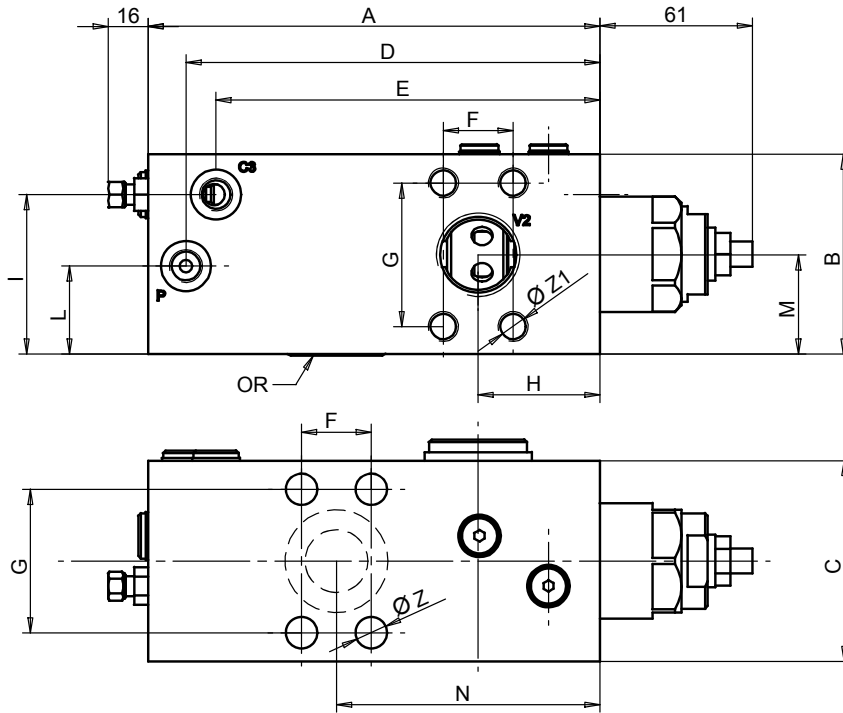
CBCE300SLSFPRDRXD 05 -

Valve side

D	Right hand side
S	Left hand side

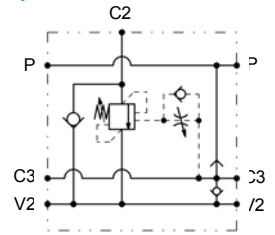
Ordering Code Example: CBCE300SLSFPRDRXD05D - Right hand side.

Dimensions

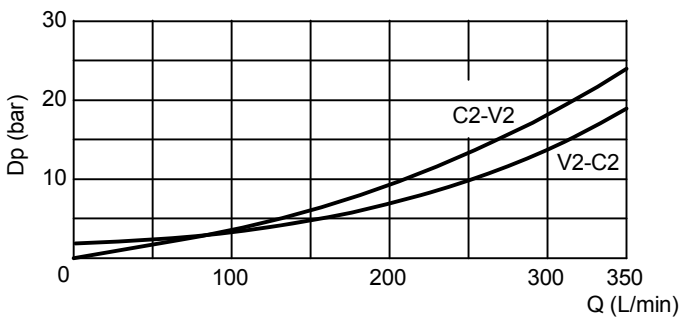


"X"	V2-C2	A	B	C	D	E	F	G	H	I	L	M	N	Z	Z1	OR
1000	1" SAE 6000	180	79,5	80	165	153	27,8	57,2	48,5	63,5	35	39,5	105	12,5	M12	4131

Hydraulic Symbol



Curves



Features

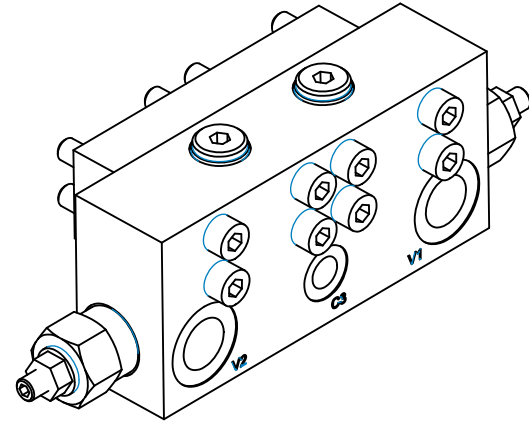
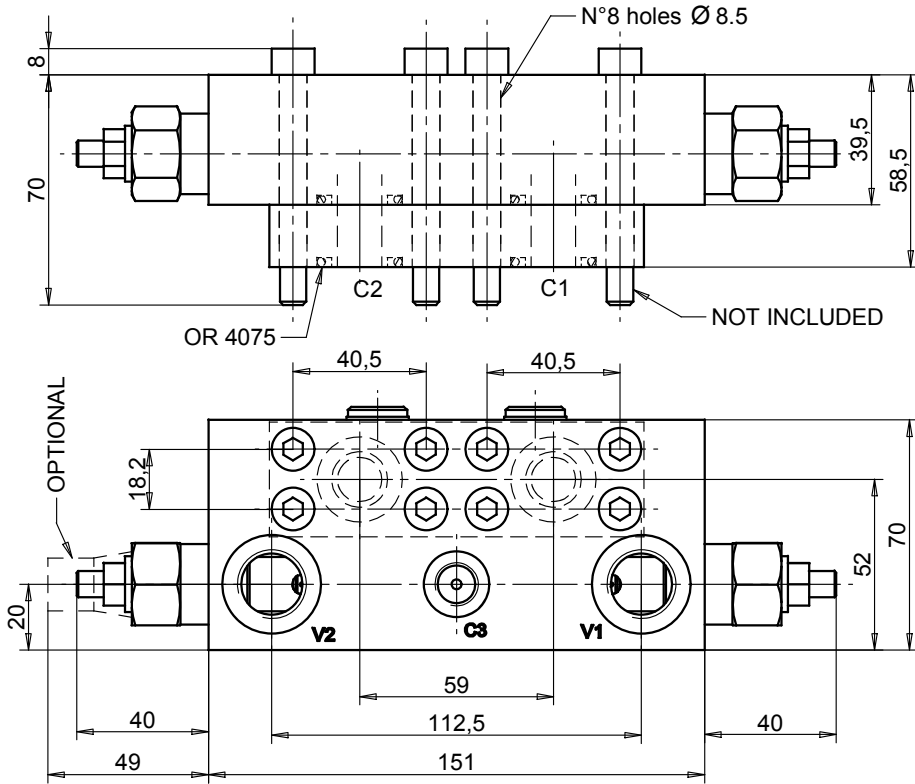
Max Flow	350 lpm
Max Pressure	500 bar
Ports	P-C3: G 1/4
	Standard
Pilot Ratio	4:1
Std. Pressure range	140 - 350 bar

Materials: Zinc plated steel body

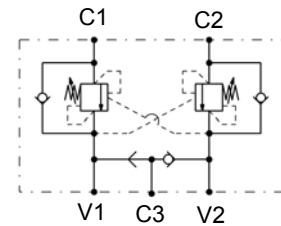
Ordering Code

CBCE300SLSF6S 05

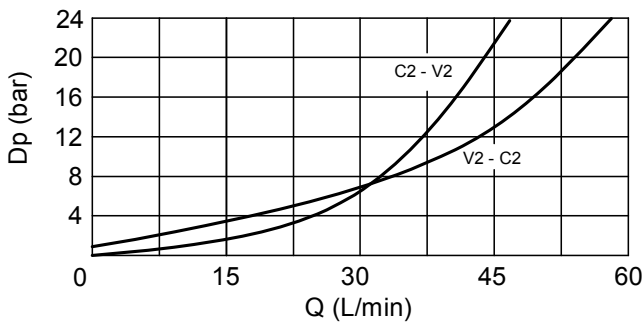
Dimensions



Hydraulic Symbol



Curves



Materials: Zinc plated steel cartridge, hardened steel inner parts. Aluminium manifold.

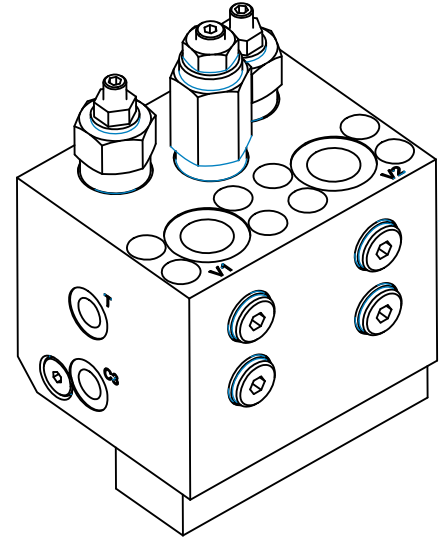
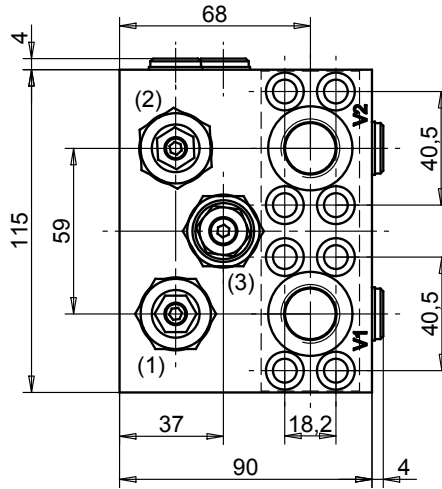
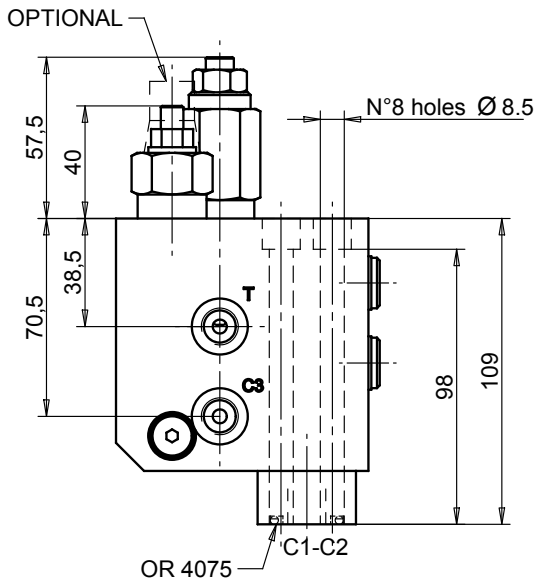
Features

Max Flow	60 lpm
Max Pressure	250 bar
Pilot Ratio	4:1 Standard
Ports	V1-V2: G 1/2 C1-C2: 1/2 SAE 6000 C3: G 1/4
Std. Pressure range	100 - 350 bar

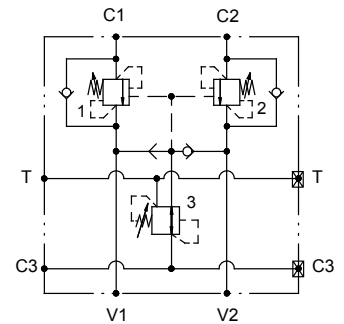
Ordering Code

CBDLSFRX 03

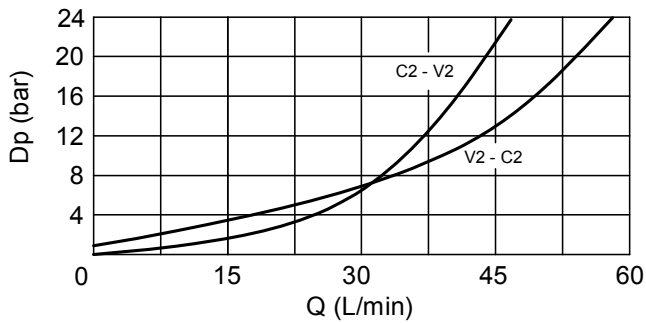
Dimensions



Hydraulic Symbol



Curves



Materials: Aluminium body.

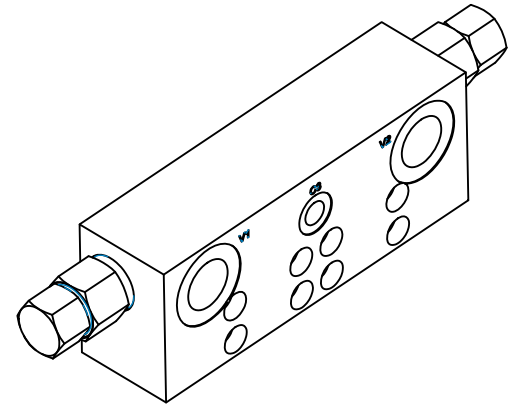
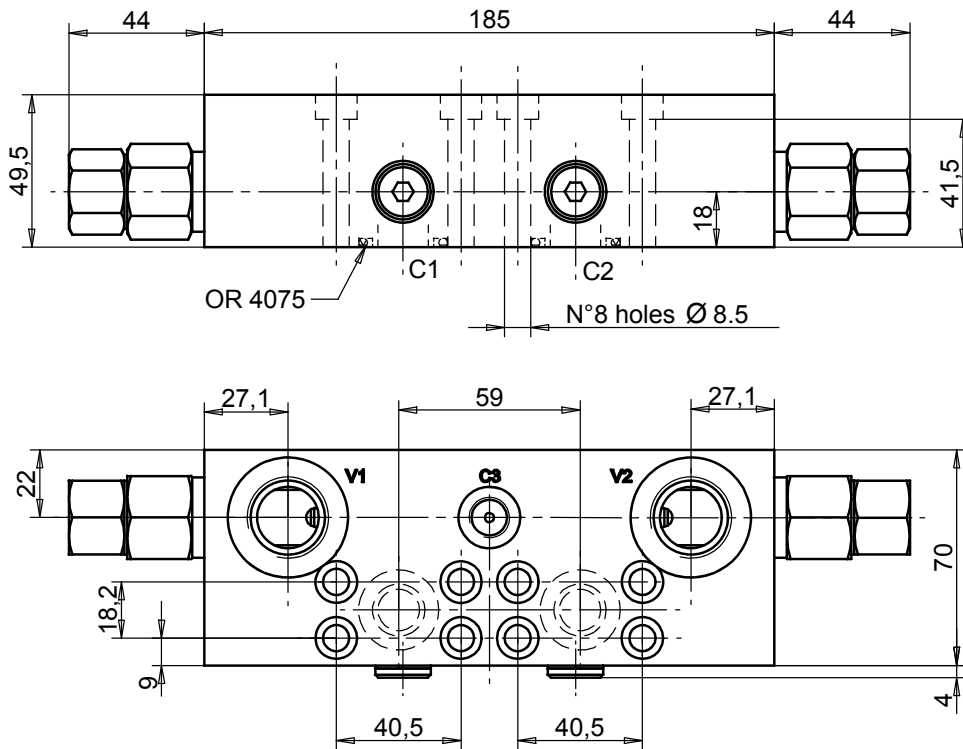
Features

Max Flow	60 lpm
Max Pressure	350 bar
Pilot Ratio	4,2:1 Standard
Ports	V1-V2: G 1/2 C1-C2: 1/2 SAE 6000 C3-T: G 1/4
Std. Pressure range	100 - 350 bar

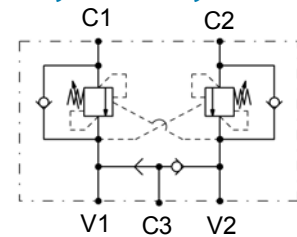
Ordering Code

CBDLSFRXPRD 03

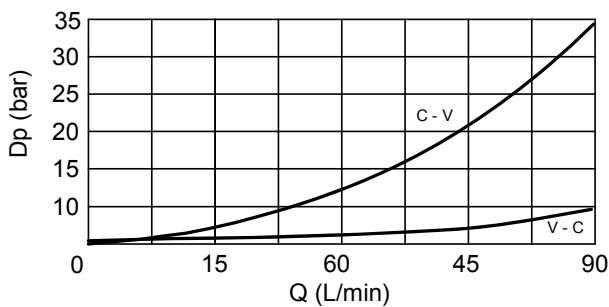
Dimensions



Hydraulic Symbol



Curves



Materials: Aluminium body.

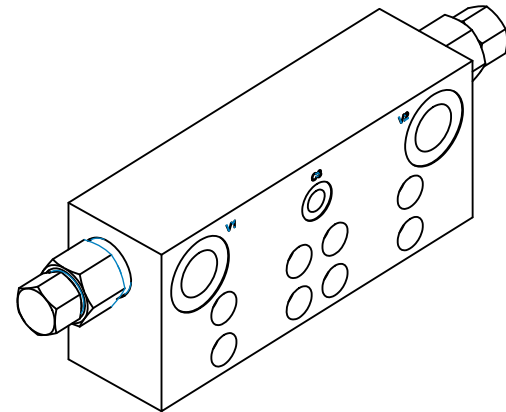
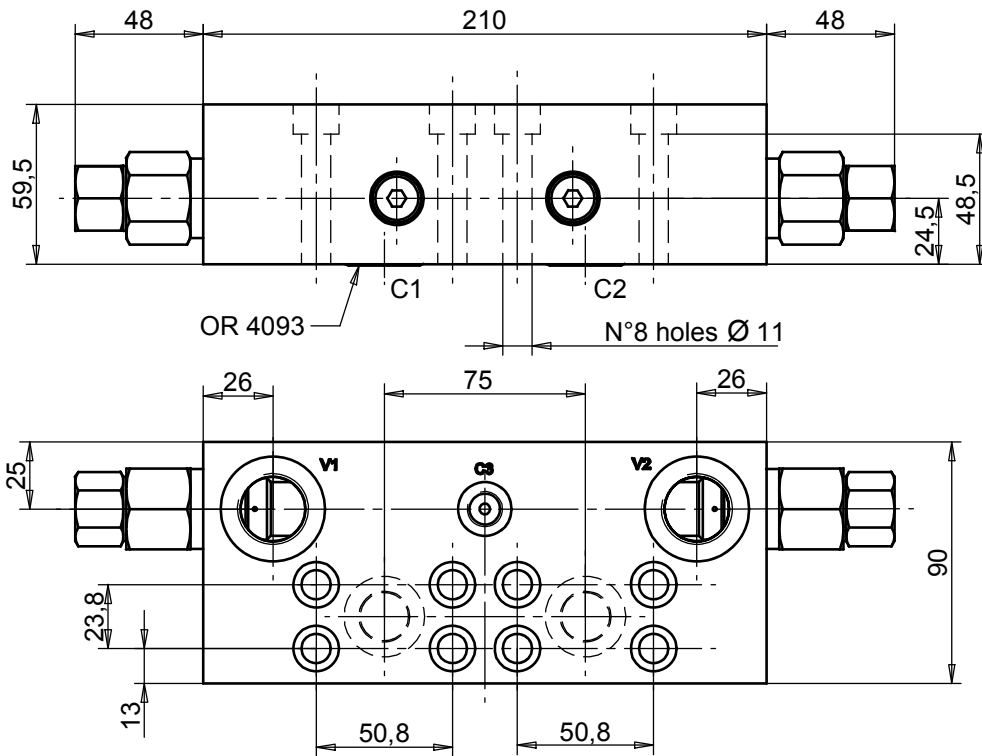
Features

Max Flow	90 lpm
Max Pressure	350 bar
Pilot Ratio	4,2:1
Ports	V1-V2: G 3/4 C1-C2: 1/2 SAE 6000 C3: G 1/4
Std. Pressure range	100 - 350 bar

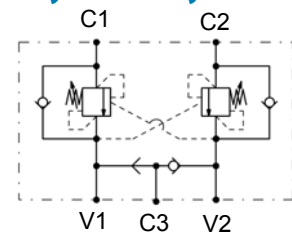
Ordering Code

CB90DLSFRX 04

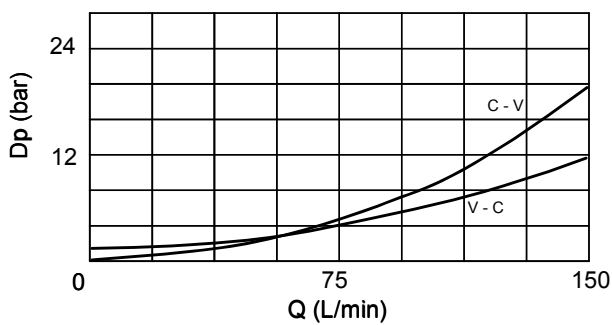
Dimensions



Hydraulic Symbol



Curves



Features

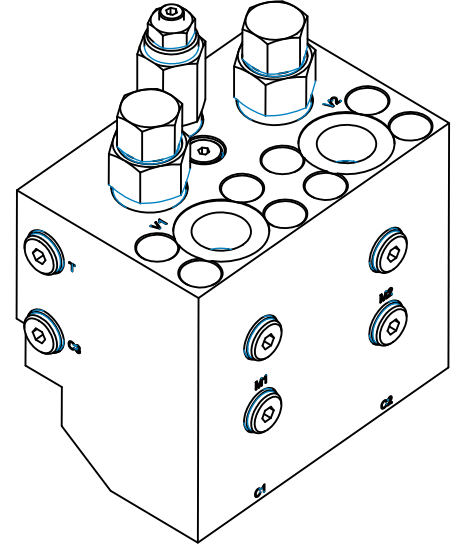
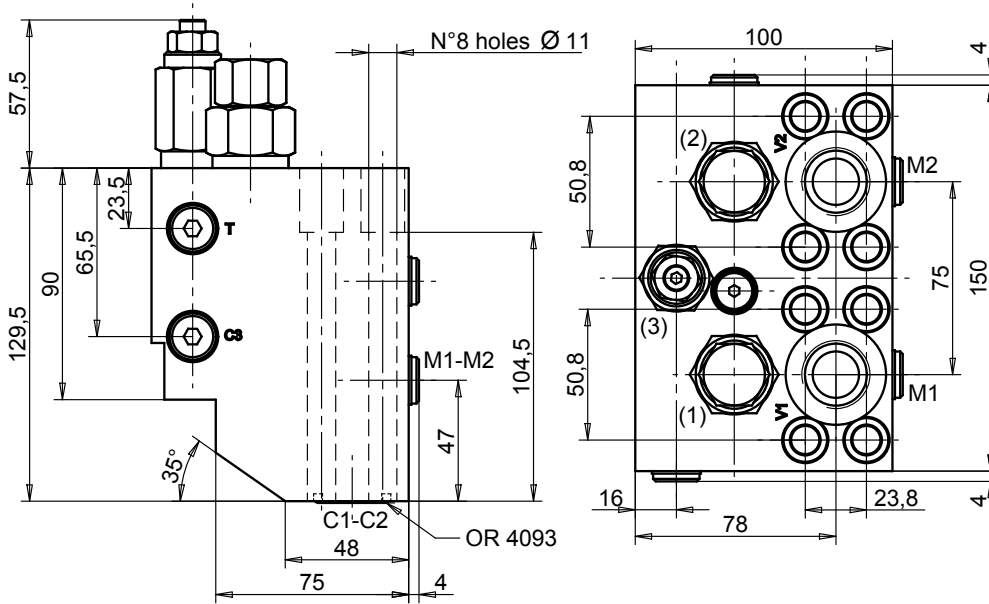
Max Flow	120 lpm
Max Pressure	350 bar
Pilot Ratio	4,2:1
Ports	V1-V2: G 3/4 C1-C2: 3/4 SAE 6000 C3: G 1/4

Materials: Aluminium body.

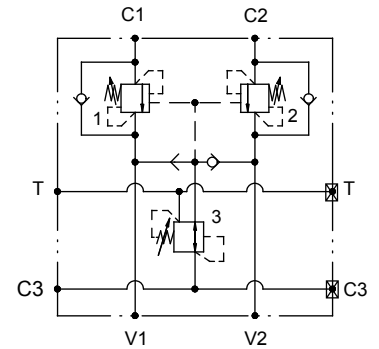
Ordering Code

CB150DL2FSFRX 04

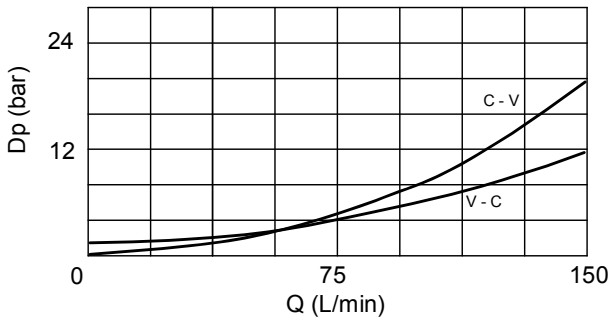
Dimensions



Hydraulic Symbol



Curves



Materials: Aluminium body.

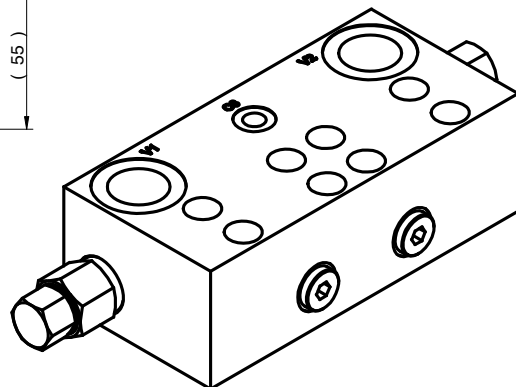
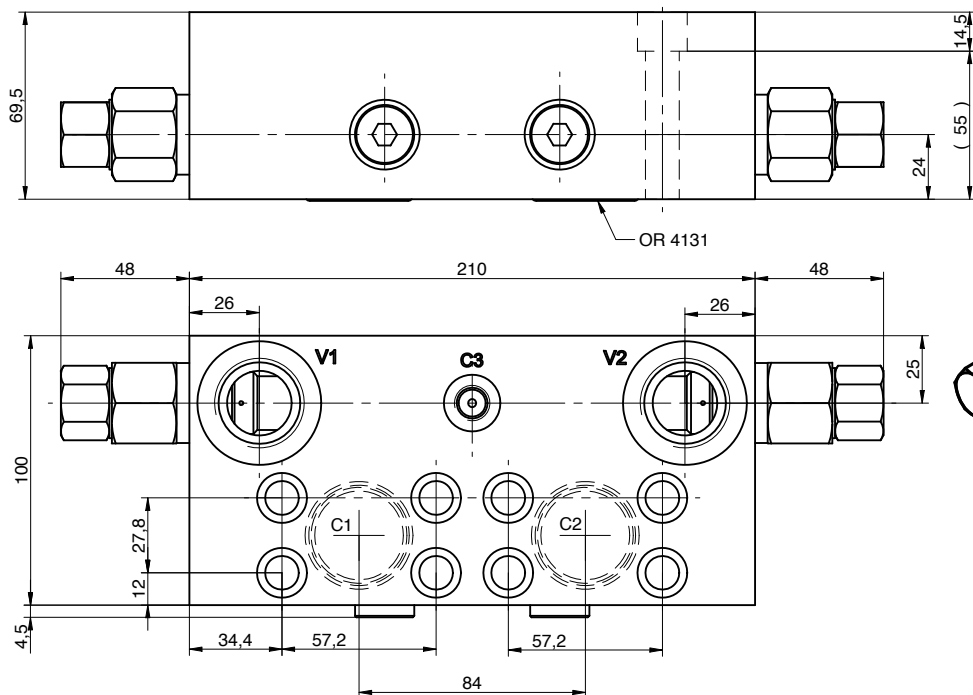
Features

Max Flow	170 lpm
Max Pressure	410 bar
Pilot Ratio	4:1 Standard
Ports	V1-V2: G 3/4 C1-C2: 3/4 SAE 6000 C3-T: G 1/4
Std. Pressure range	(1)-(2) 100 - 350 bar (3) 10-140 bar

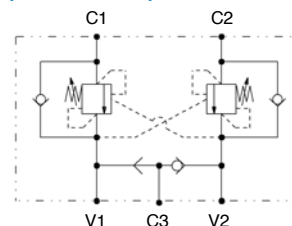
Ordering Code

CB150DLSFRXPRD 04

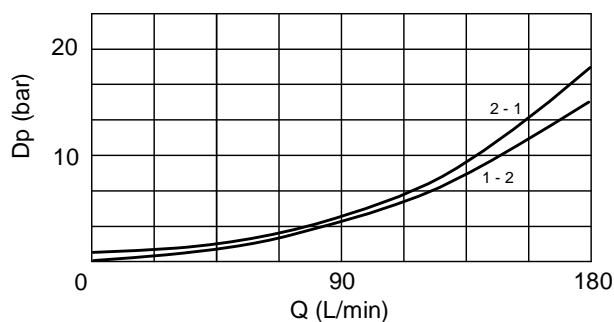
Dimensions



Hydraulic Symbol



Curves



Features

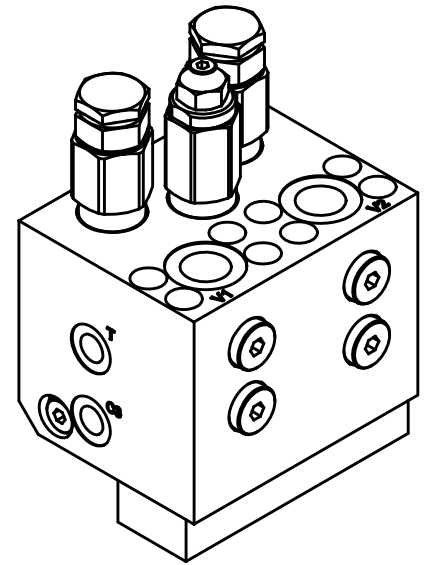
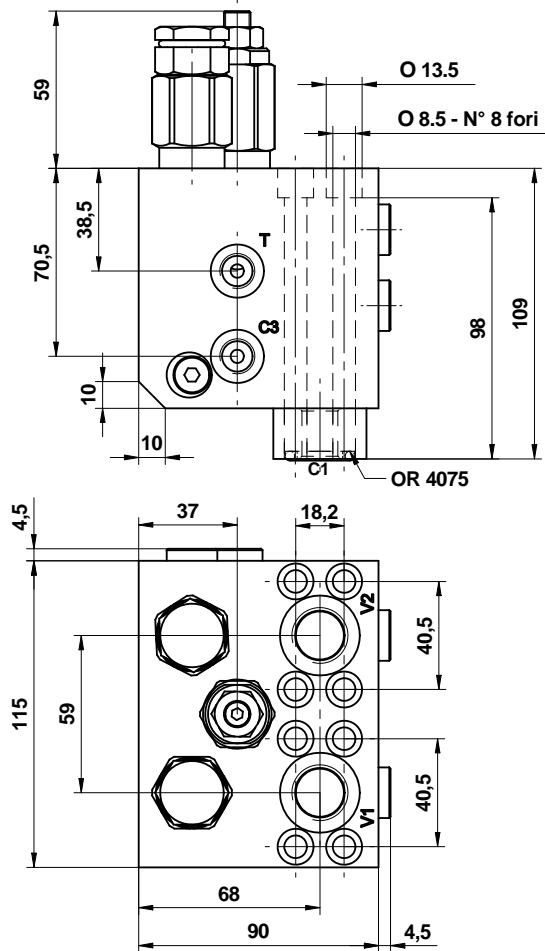
Max flow	180 lpm
Max pressure	350 bar
Pilot ratio	4:1 or 8:1
Port Sizes	V1 - V2: G 1 C1 - C2: Ø 20 C3: G 1/4

Materials: Aluminium body

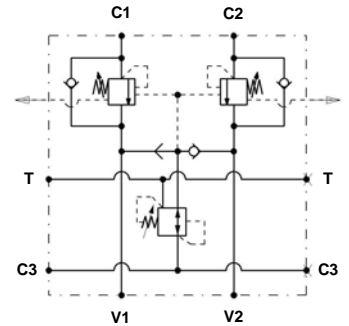
Ordering Code

CB150DL2FSFRX 05

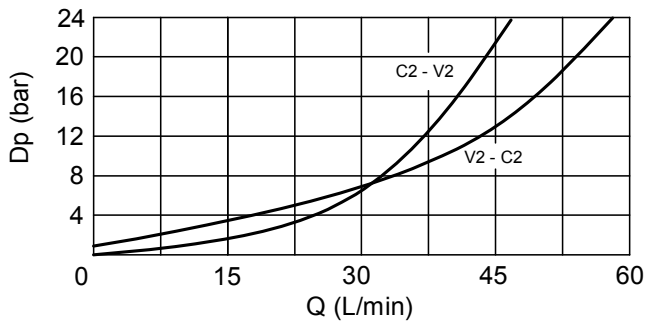
Dimensions



Hydraulic Symbol



Curves



Features

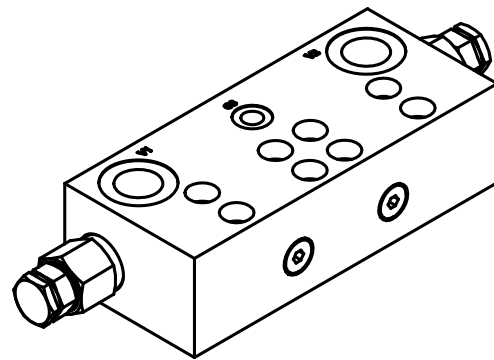
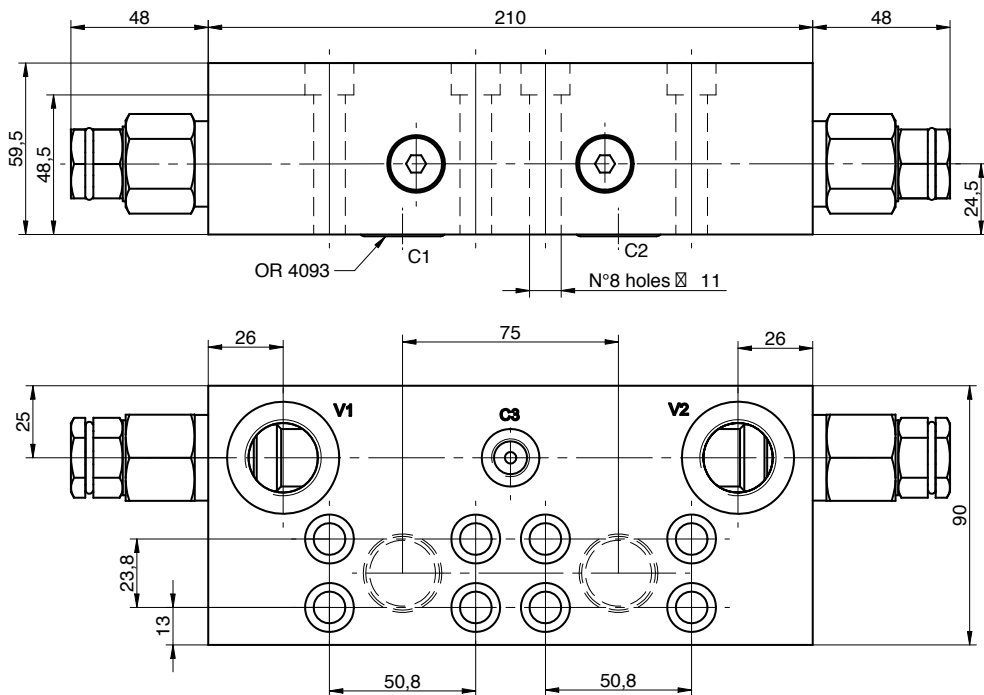
Flow max	60 lpm
Pressure max	280 bar (350 bar with steel body)
Overcentre pressure range	100-350 bar
Pilot Ratio	4,2:1
Brake pressure reduced range	20-140 bar
Port Sizes	V1 - V2: G 1/2 C1 - C2: 1/2" SAE 6000 C3 - T: G 1/4

Materials: Aluminium (standard), Zinc plated steel body (on request)

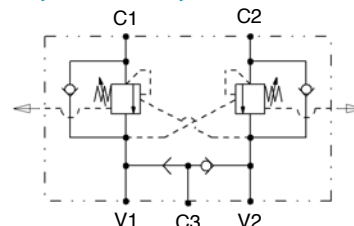
Ordering Code

CBDLSFRXPRDCC03

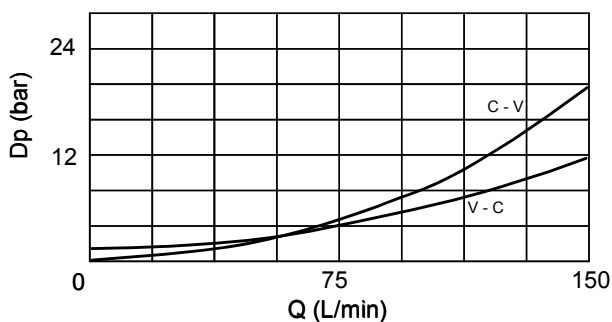
Dimensions



Hydraulic Symbol



Curves



Features

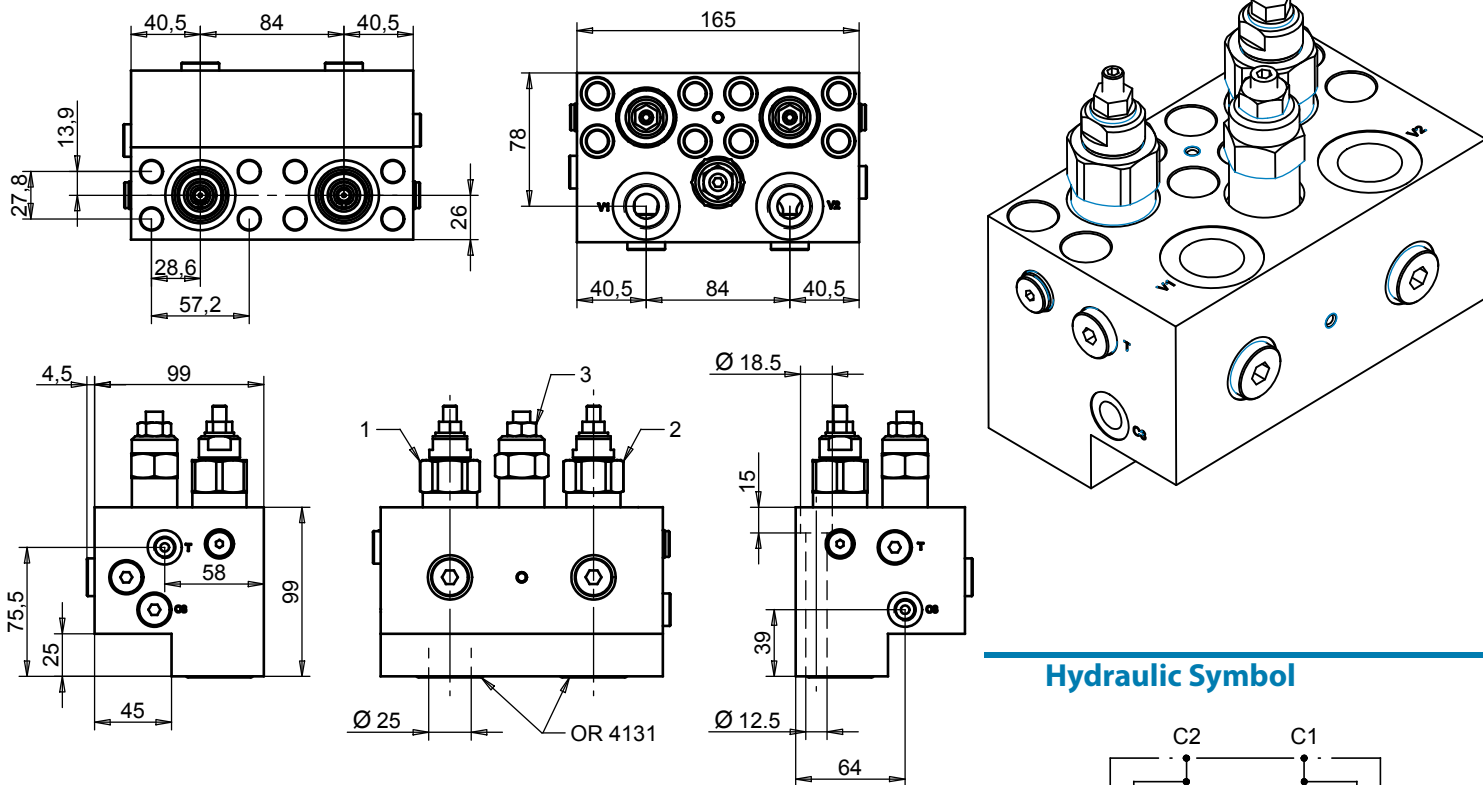
Max flow	120 lpm
Max pressure	350 bar
Pilot ratio	4:1
Port Sizes	V1 - V2: G 3/4 C1 - C2: 3/4 SAE 6000 C3: G 1/4

Materials: Aluminium body

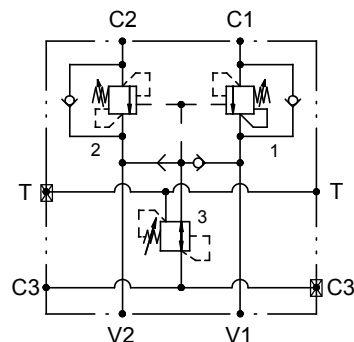
Ordering Code

CB150DL2FSFRXCC 04

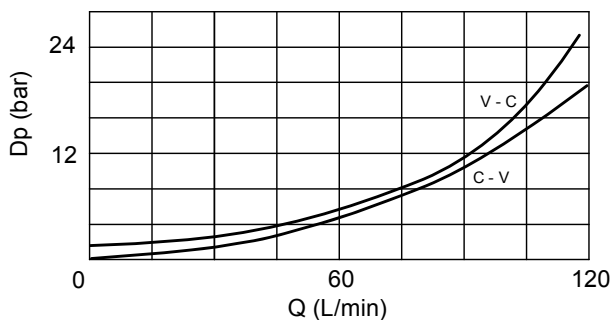
Dimensions



Hydraulic Symbol



Curves



Materials: Zinc plated steel manifold, hardened steel inner parts.

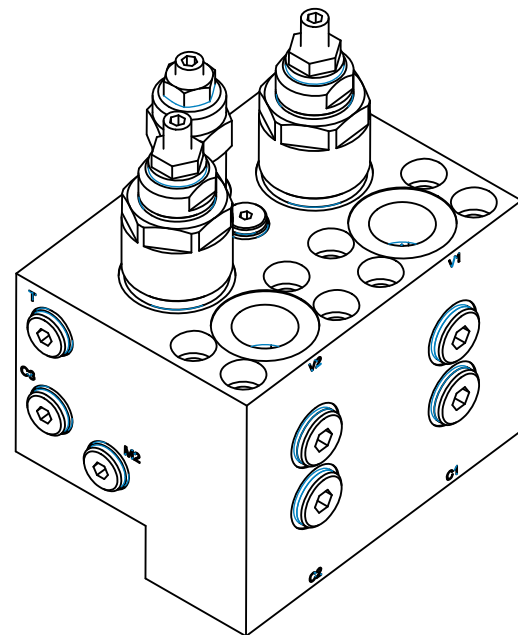
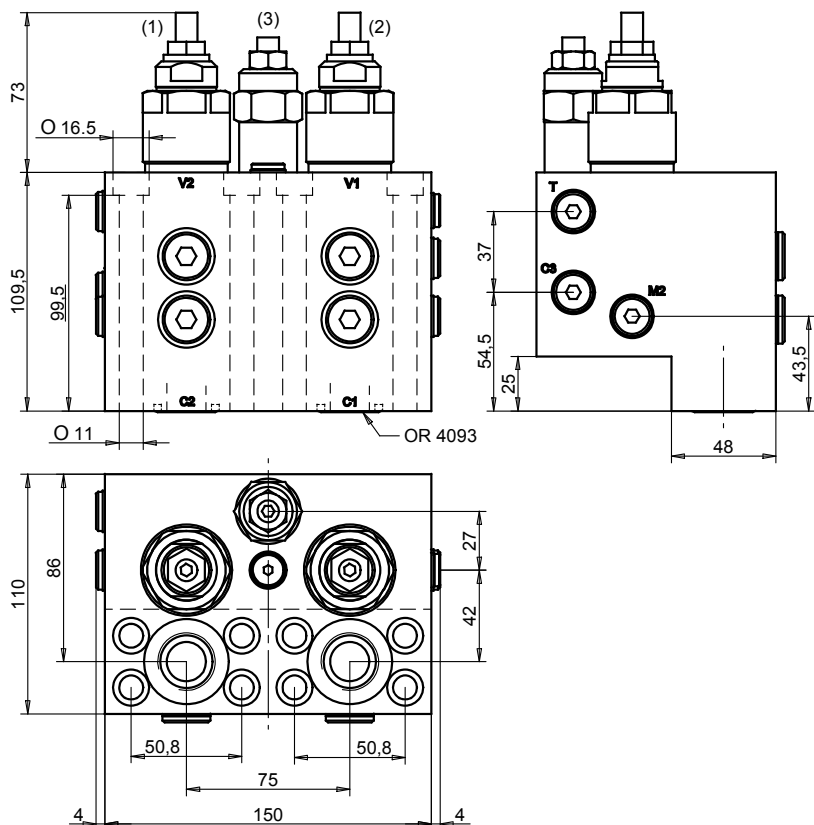
Ordering Code

CBCE120DLSFPRDRX 04

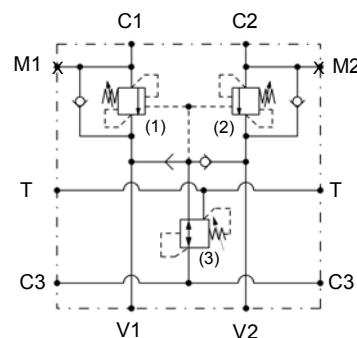
Features

Max Flow	120 lpm
Max Pressure	350 bar
Pilot Ratio	4:1
Std. Pressure range	(1)-(2):140-350 bar / (3):10-100 bar
Ports	V1-V2: G 3/4 C1-C2: 1" SAE 6000 C3-T: G 1/4

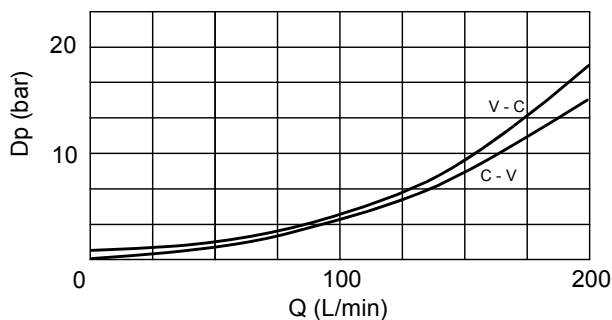
Dimensions



Hydraulic Symbol



Curves



Materials: Zinc plated steel manifold, hardened steel inner parts.

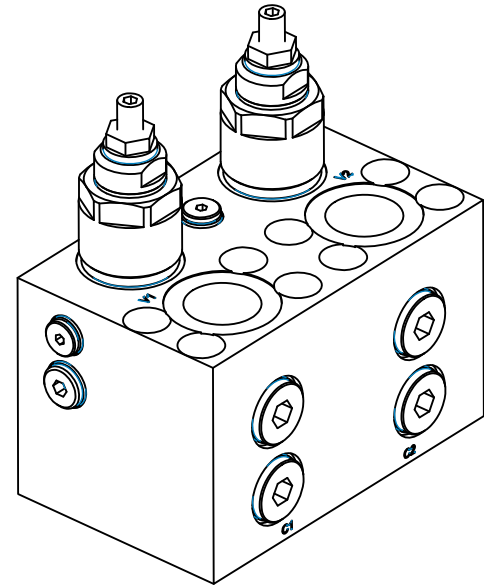
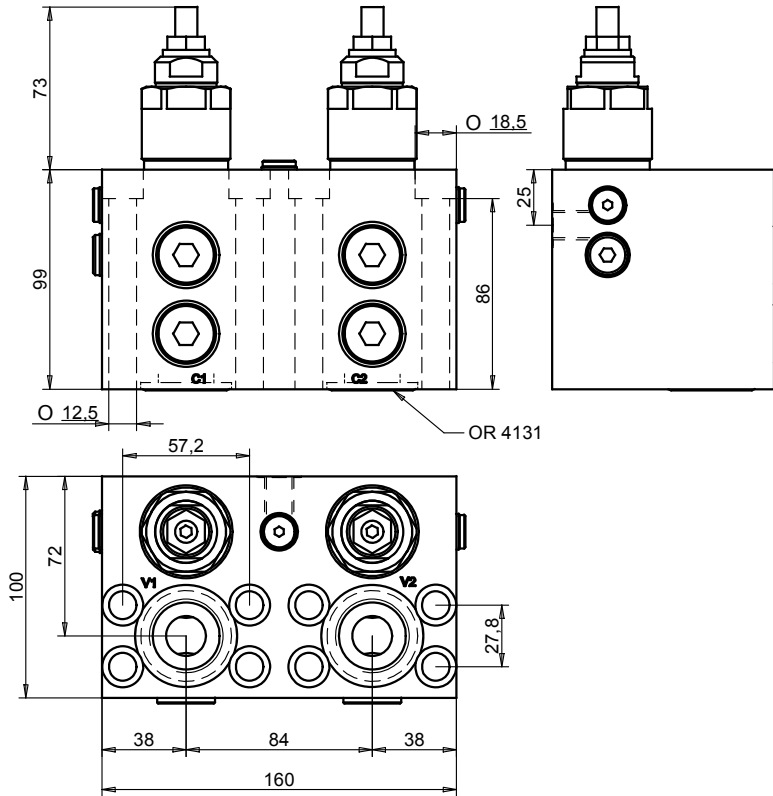
Features

Max Flow	200 lpm
Max Pressure	350 bar
Pilot Ratio	4:1
Std. Pressure range	(1)-(2):140-350 bar / (3):10-50 bar
Ports	V1-V2: G 3/4 C1-C2: 3/4" SAE 6000 C3-T-M1-M2: G 1/4

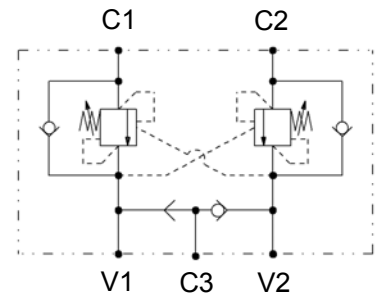
Ordering Code

CBCE200DLSFPRDRX 04

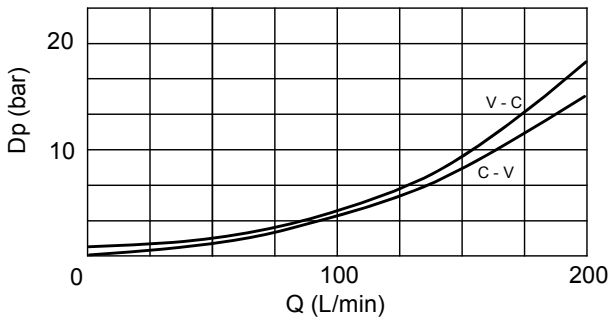
Dimensions



Hydraulic Symbol



Curves



Materials: Zinc plated steel manifold, hardened steel inner parts.

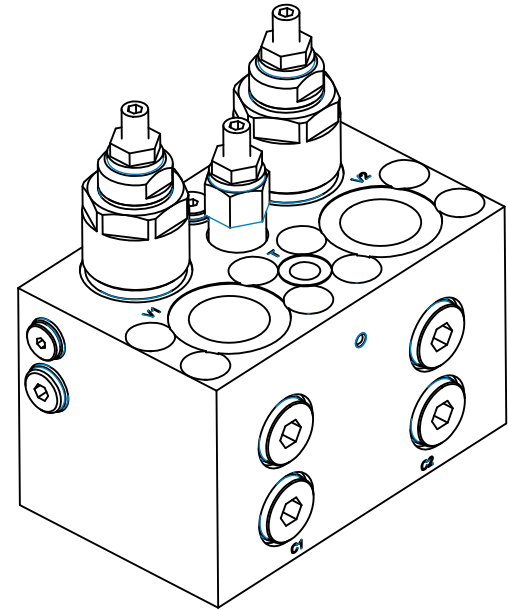
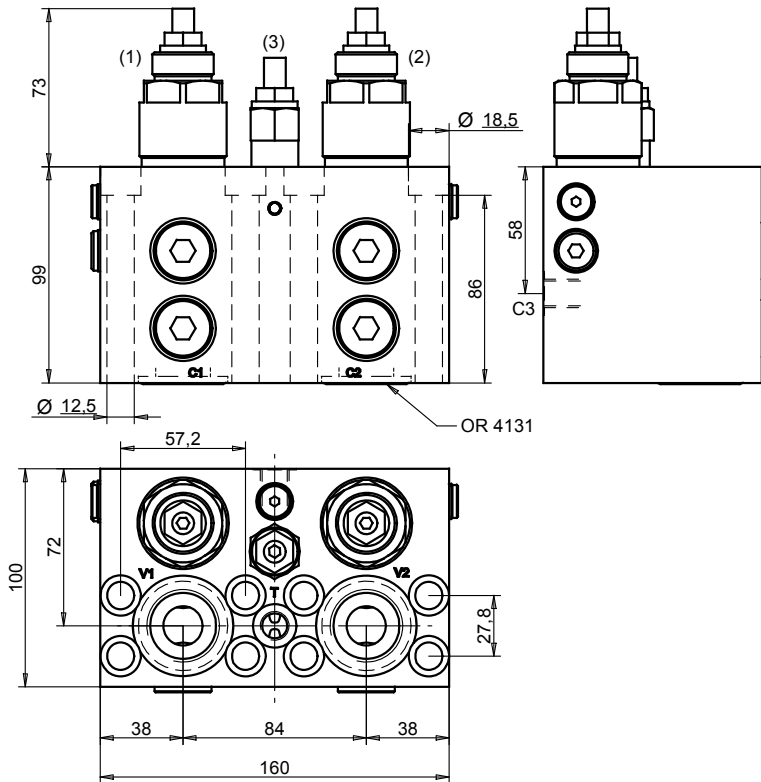
Features

Max Flow	200 lpm
Max Pressure	350 bar
Pilot Ratio	4:1
Std. Pressure range	140-350 bar
Ports	V1-V2: G 1 C1-C2: 1" SAE 6000 C3: G 1/4

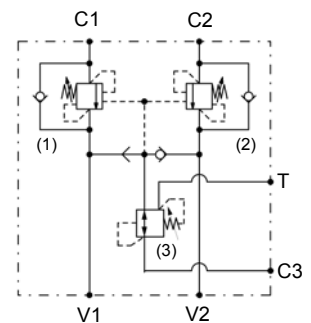
Ordering Code

CBCE200DLSFRX 05

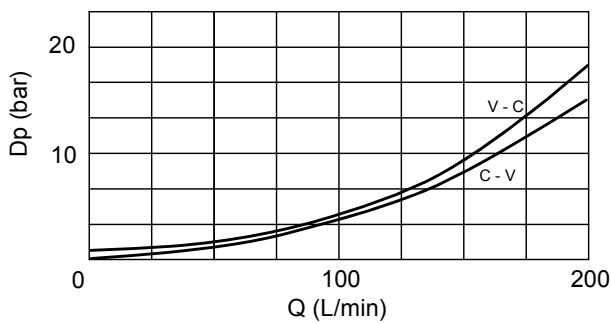
Dimensions



Hydraulic Symbol



Curves



Materials: Zinc plated steel manifold, hardened steel inner parts.

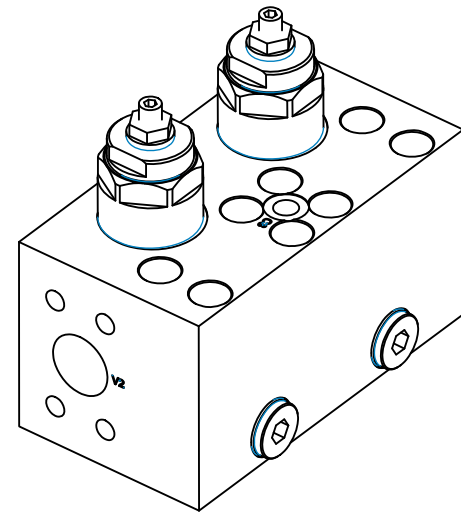
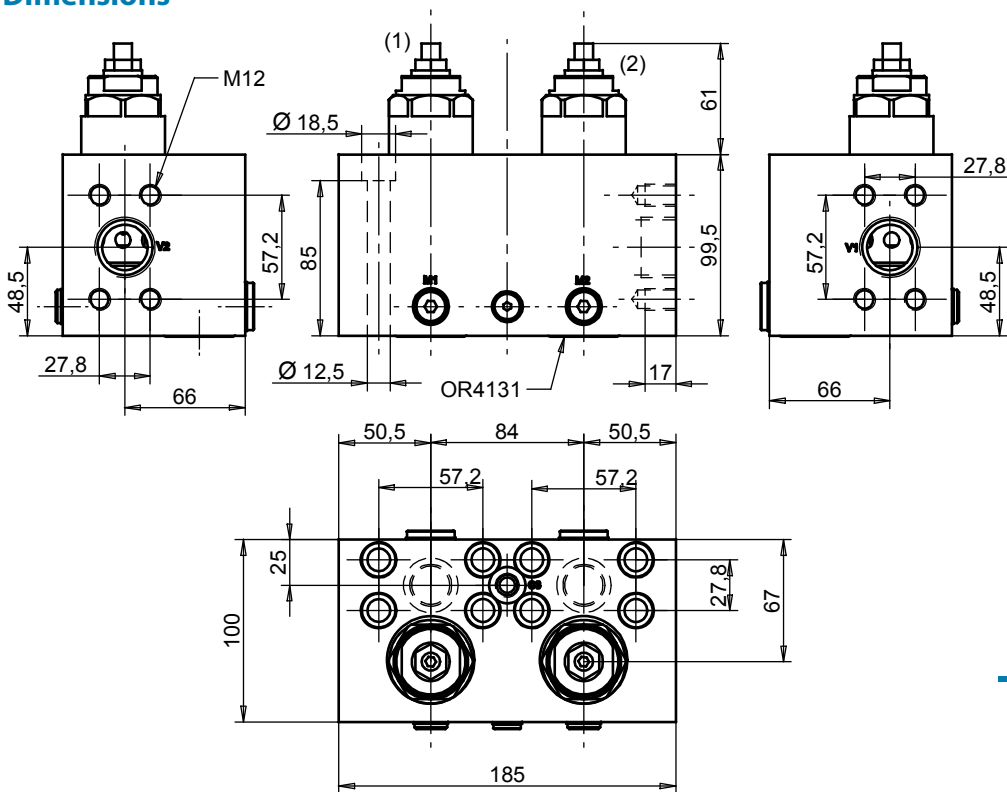
Features

Max Flow	200 lpm
Max Pressure	350 bar
Pilot Ratio	4:1
Std. Pressure range	1-2:140-350 bar / 3:10-100 bar
Ports	V1-V2: G 1 C1-C2: 1" SAE 6000 C3-T: G 1/4

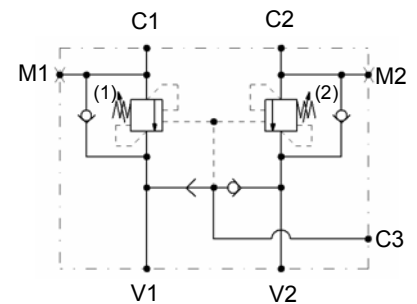
Ordering Code

CBCE200DLSFPRDRX 05

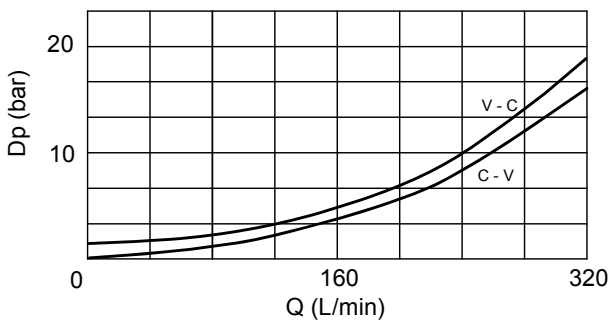
Dimensions



Hydraulic Symbol



Curves



Materials: Zinc plated steel manifold, hardened steel inner parts.

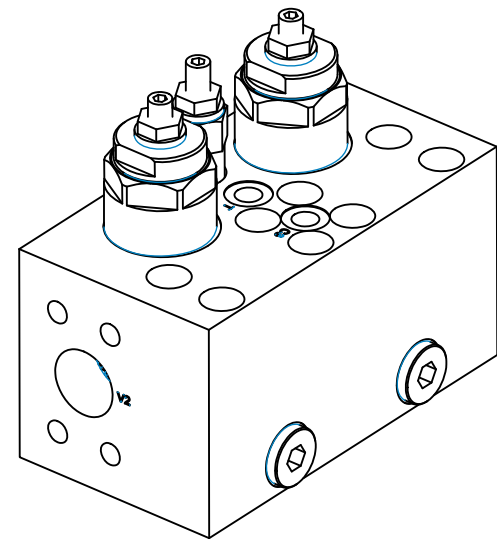
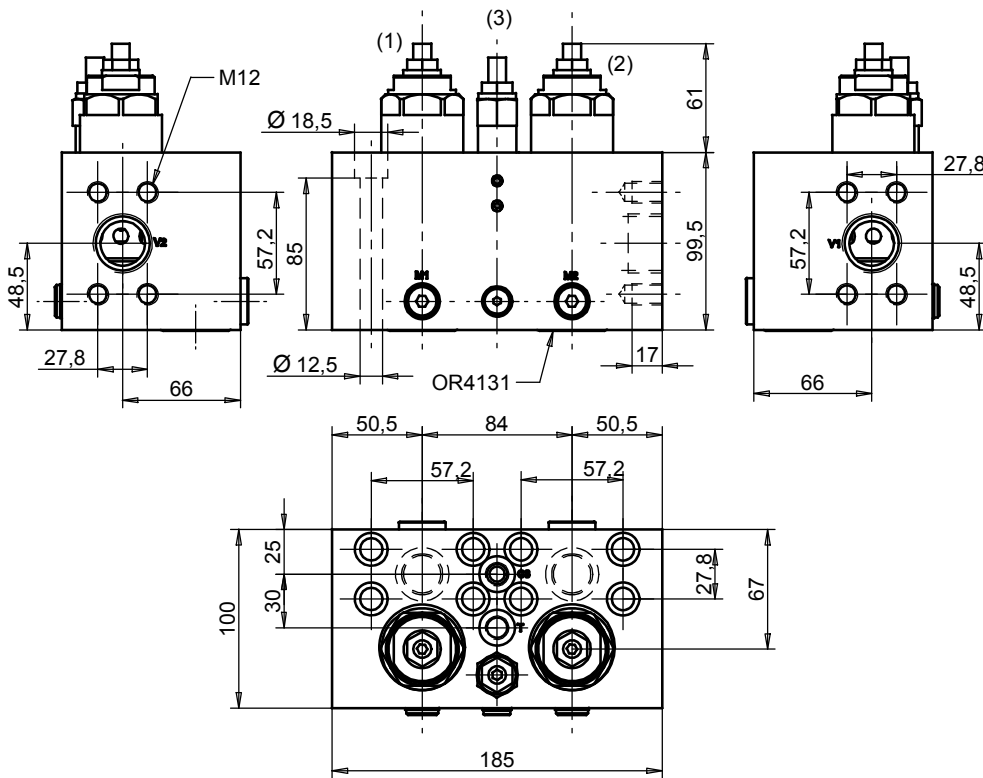
Features

Max Flow	320 lpm
Max Pressure	350 bar
Pilot Ratio	4:1
Std. Pressure range	140-350 bar
Ports	V1-V2: 1" SAE 6000 C1-C2: 1" SAE 6000 C3-M1-M2: G 1/4

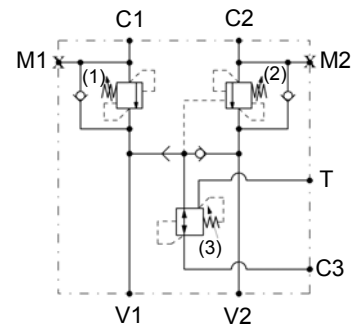
Ordering Code

CBCE300DLSFRX 05

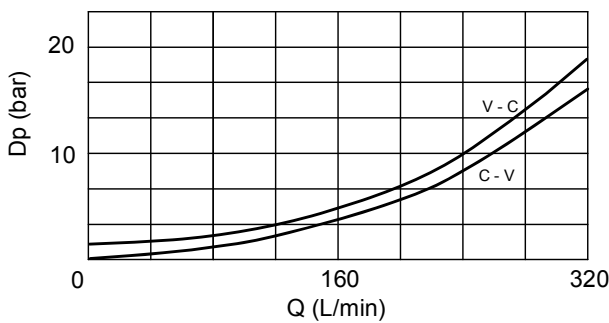
Dimensions



Hydraulic Symbol



Curves



Materials: Zinc plated steel manifold, hardened steel inner parts.

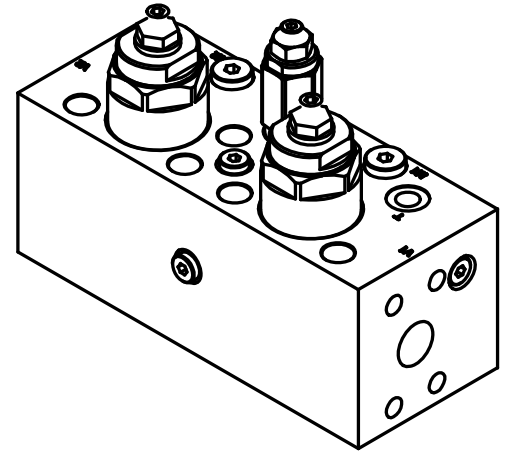
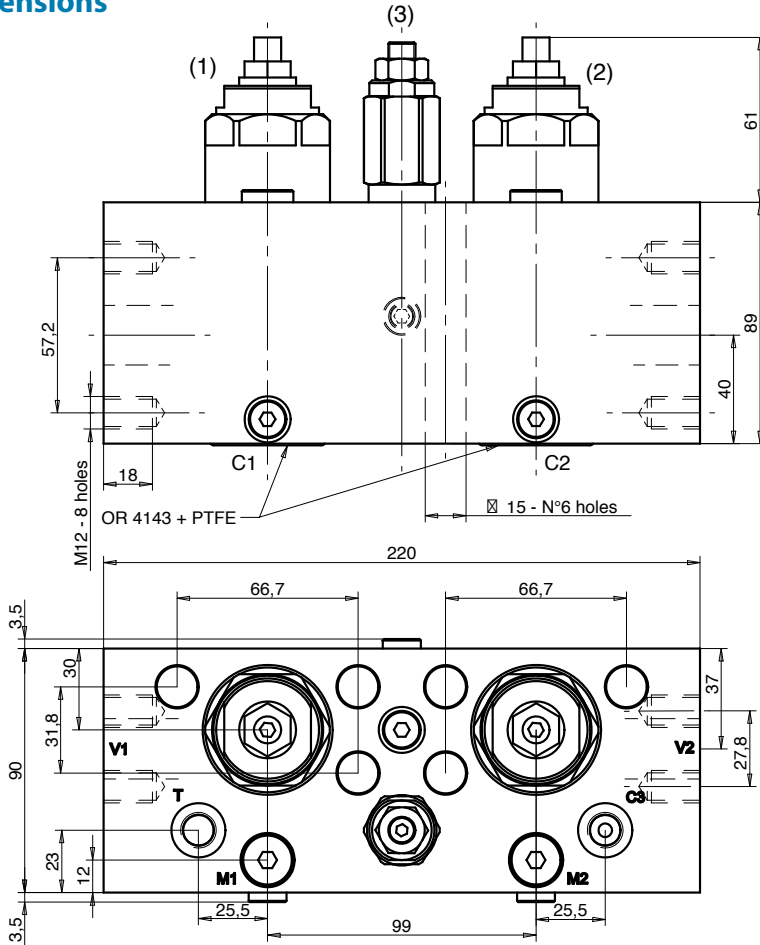
Ordering Code

CBCE300DLSFPRDRX 05

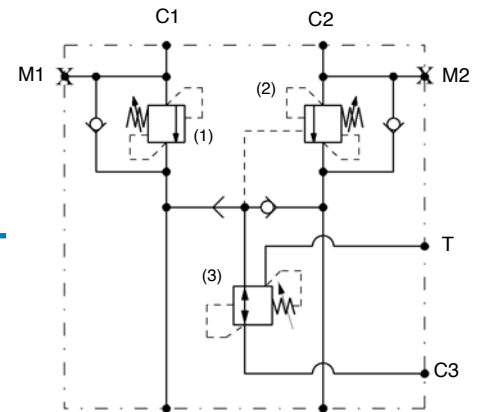
Features

Max Flow	320 lpm
Max Pressure	350 bar
Pilot Ratio	4:1 - Standard
Std. Pressure range	(1)-(2):140-350 bar / (3):10-100 bar
Ports	V1-V2: 1" SAE 6000 C1-C2: 1" SAE 6000 C3-T-M1-M2: G 1/4

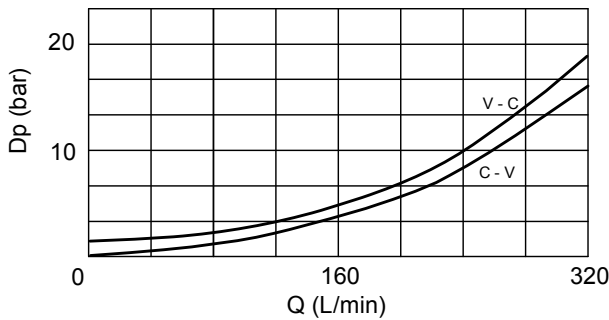
Dimensions



Hydraulic Symbol



Curves



Features

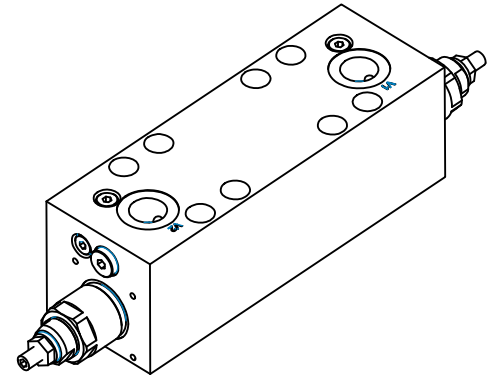
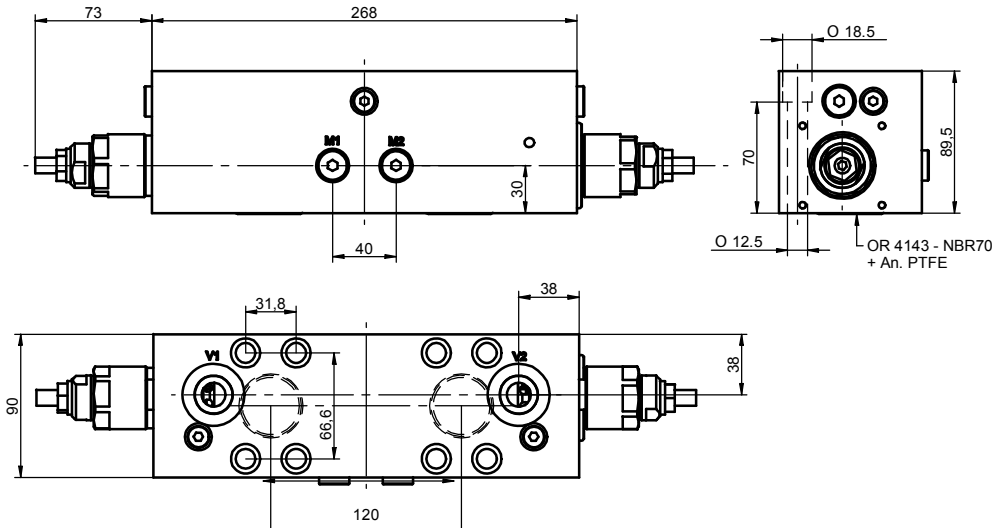
Max flow	320 lpm
Max pressure	350 bar
Pressure range	(1) - (2): 140 - 350 bar (3): 10 - 140 bar
Pilot Ratio	4:1
Port Sizes	V1 - V2: 1" SAE 6000 C1 - C2: 1" 1/4 SAE 6000 C3 - T - M1 - M2: G 1/4

Materials: Zinc plated steel manifold

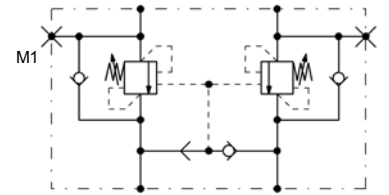
Ordering Code

CBCE300DLSFPRDRX06

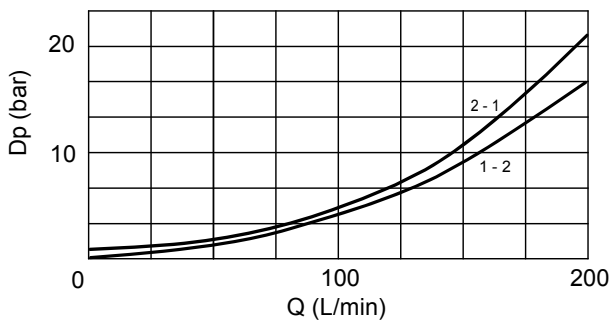
Dimensions



Hydraulic Symbol



Curves



Features

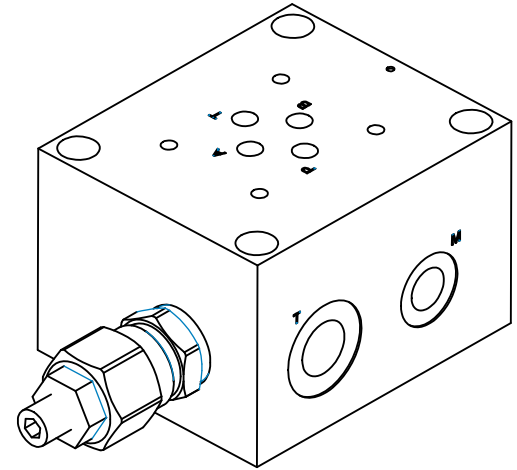
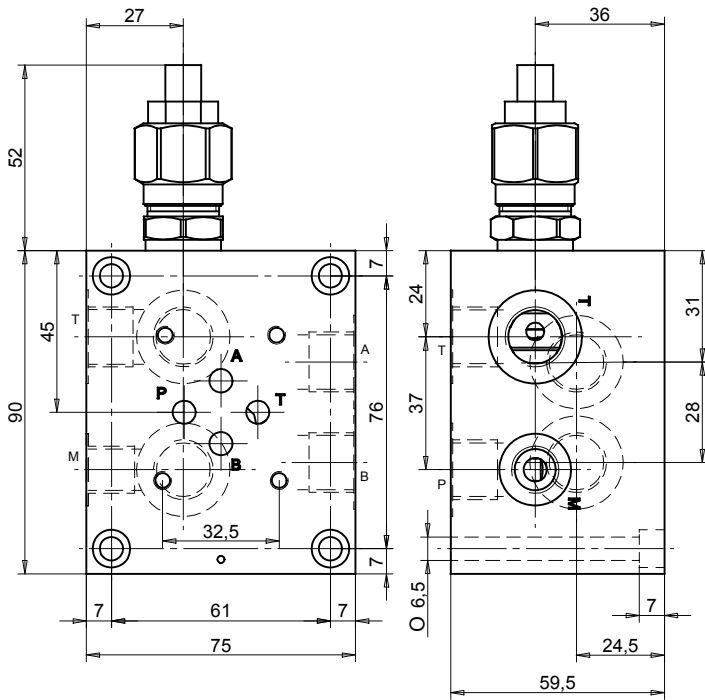
Max Flow	170 lpm
Max Pressure	350 bar
Pilot Ratio	4,1:1
Ports	V1-V2: G 3/4 C1-C2: 1"1/4 SAE 6000 M1- M2: G 1/4
Std. Pressure range	100 - 350 bar

Materials: Zinc plated steel manifold and cartridge, hardened steel inner parts

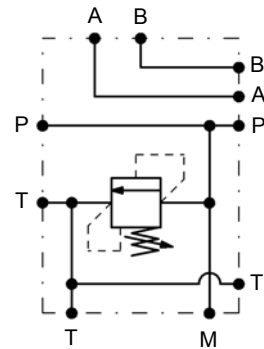
Ordering Code

CBCE200DLDF06SV04

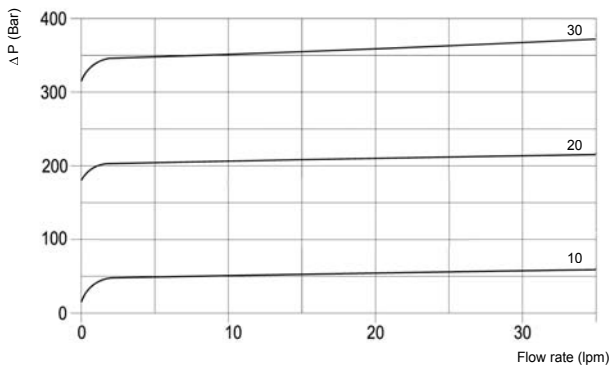
Dimensions



Hydraulic Symbol



Curves



Features

Max Flow	50 lpm
Max Pressure	210 bar

Materials: Zinc plated steel cartridge, hardened steel inner parts.
Aluminium manifold.

Ordering Code

PRNG6 -- -

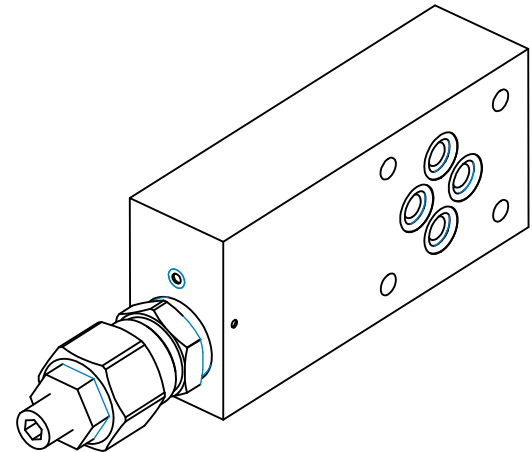
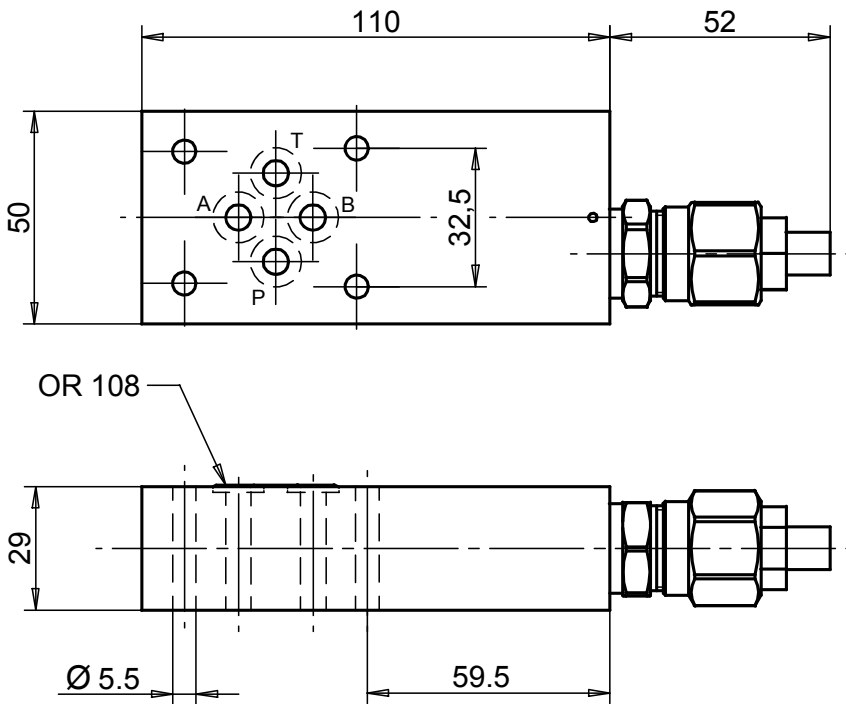
	Spring (bar)
10	5-50
20	40-210
30	100-350

Adjustments

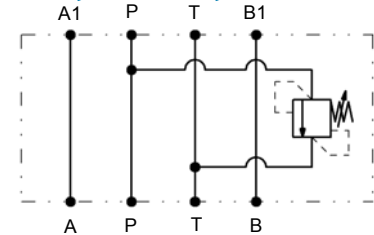
A		Socket Screw
B		Handknob
C		Tamperproof Cap

Ordering Code Example: PRNG630A - 100-350 bar setting range - Socket Screw adjustment.

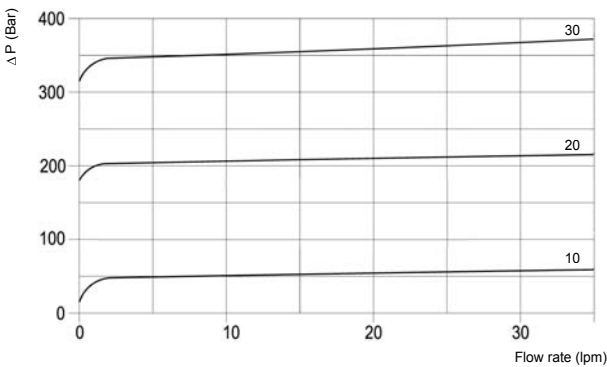
Dimensions



Hydraulic Symbol



Curves



Features

Max Flow	40 lpm
Max Pressure	250 bar

Materials: Zinc plated steel cartridge, hardened steel inner parts.
Aluminium manifold.

Ordering Code

PRPNG6 -- -

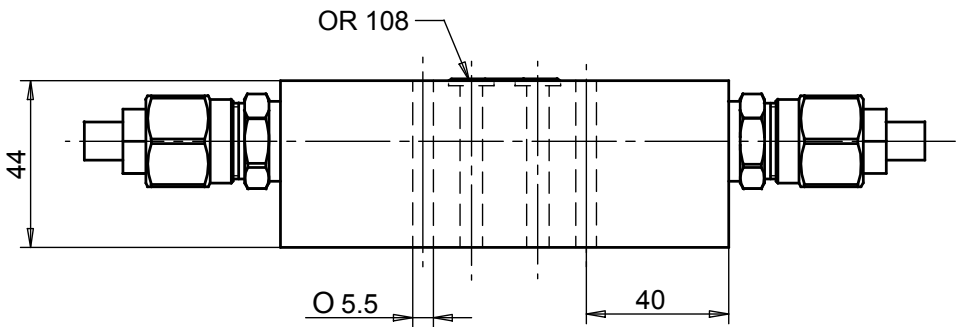
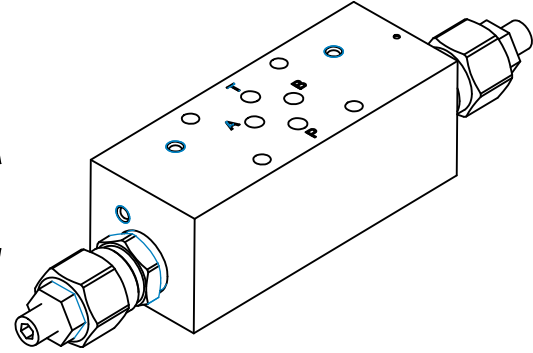
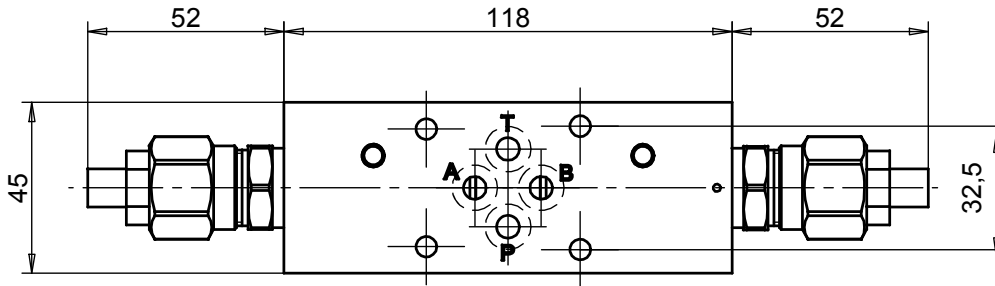
	Spring (bar)
10	5-50
20	40-210
30	100-350

Adjustments

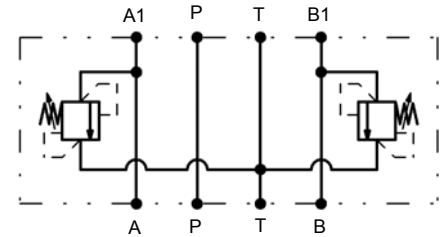
A		Socket Screw
B		Handknob
C		Tamperproof Cap

Ordering Code Example: PRPNG630A - 100-350 bar setting range - Socket Screw adjustment.

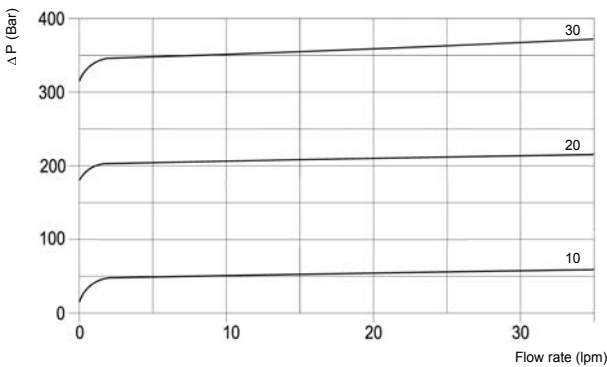
Dimensions



Hydraulic Symbol



Curves



Features

Max Flow	40 lpm
Max Pressure	250 bar

Materials: Zinc plated steel cartridge, hardened steel inner parts.
Aluminium manifold.

Ordering Code

PRABNG6 -- -

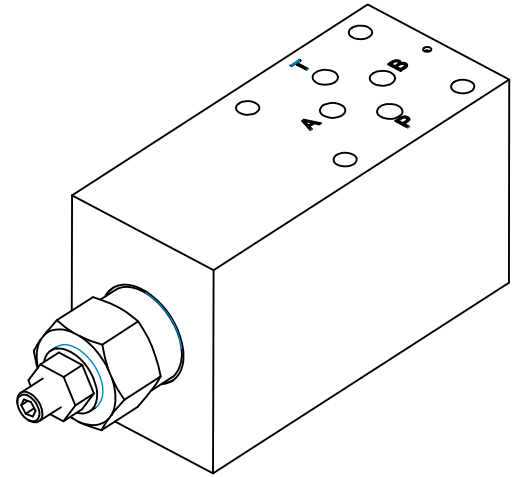
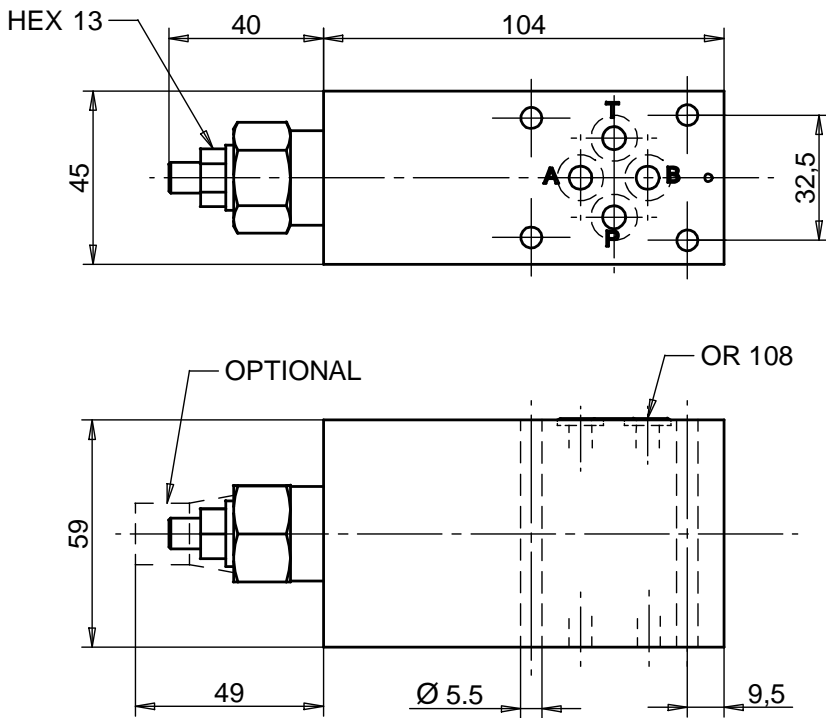
	Spring (bar)
10	5-50
20	40-210
30	100-350

Adjustments

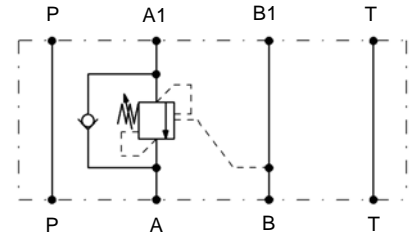
A		Socket Screw
B		Handknob
C		Tamperproof Cap

Ordering Code Example: PRPNG630B - 100-350 bar setting range - Handknob adjustment.

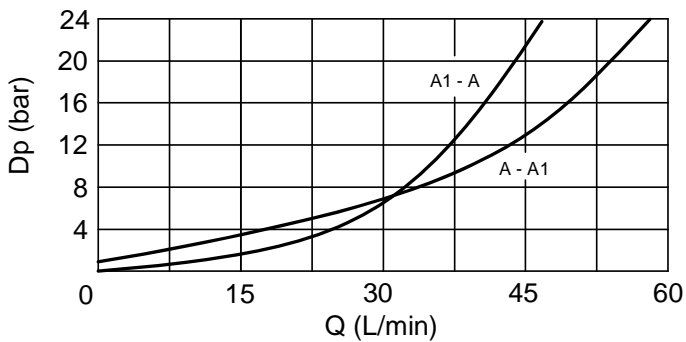
Dimensions



Hydraulic Symbol



Curves



Features

Max Flow	50 lpm
Max Pressure	350 bar
Pilot Ratio	4,2:1
Std. Pressure range	100 - 350 bar

Materials: Zinc plated steel cartridge, hardened steel inner parts. Aluminium manifold.

Ordering Code

CBSLANG6

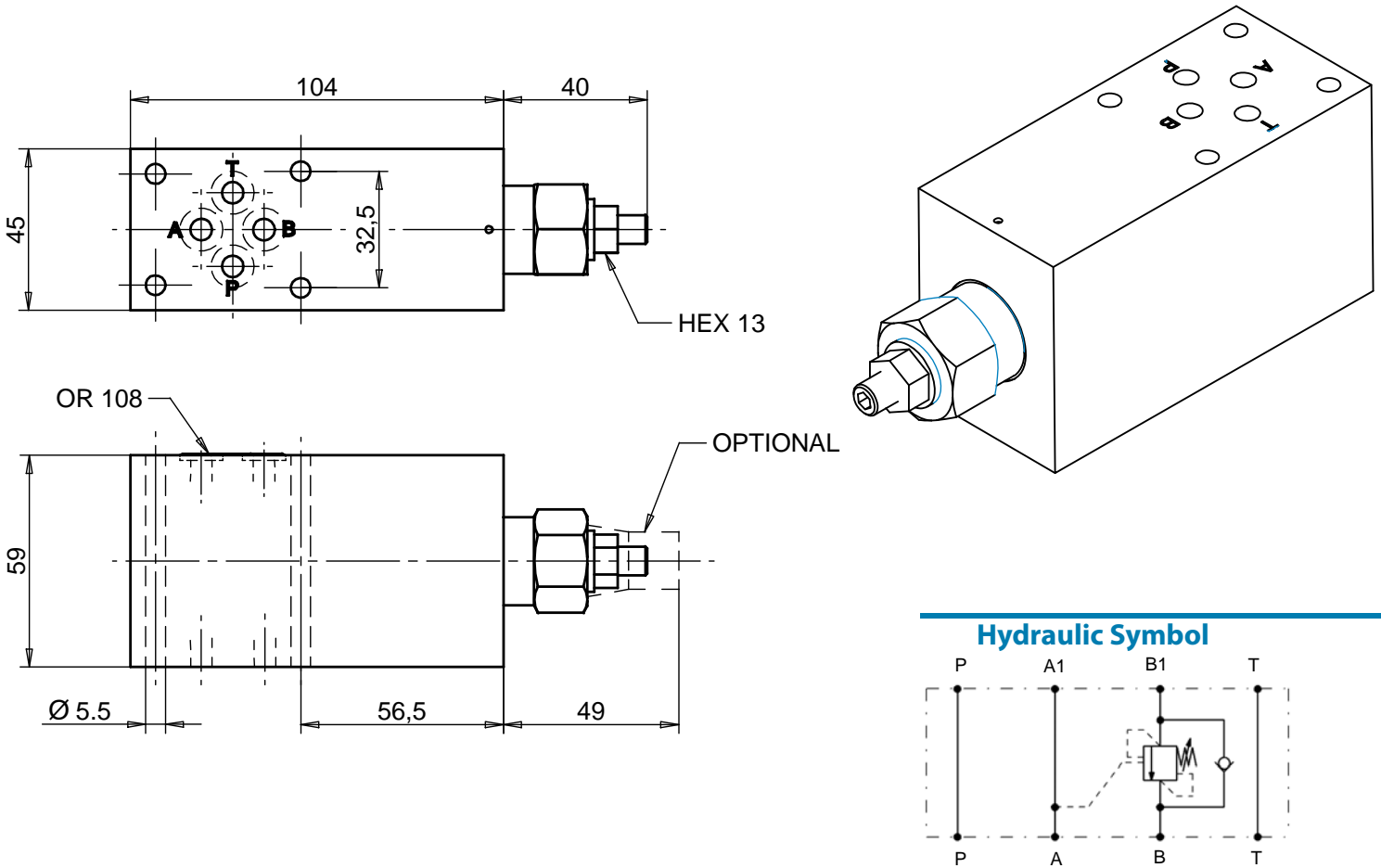
--

Spring (bar)

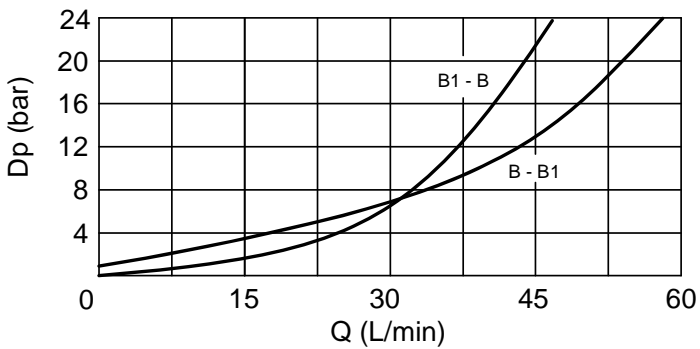
20	60-210
30	100-350

Ordering Code Example: CBSLANG630 - 100-350 bar setting range.

Dimensions



Curves



Features

Max Flow	50 lpm
Max Pressure	350 bar
Pilot Ratio	4,2:1
Std. Pressure range	100 - 350 bar

Materials: Zinc plated steel cartridge, hardened steel inner parts. Aluminium manifold.

Ordering Code

CBSLBNG6

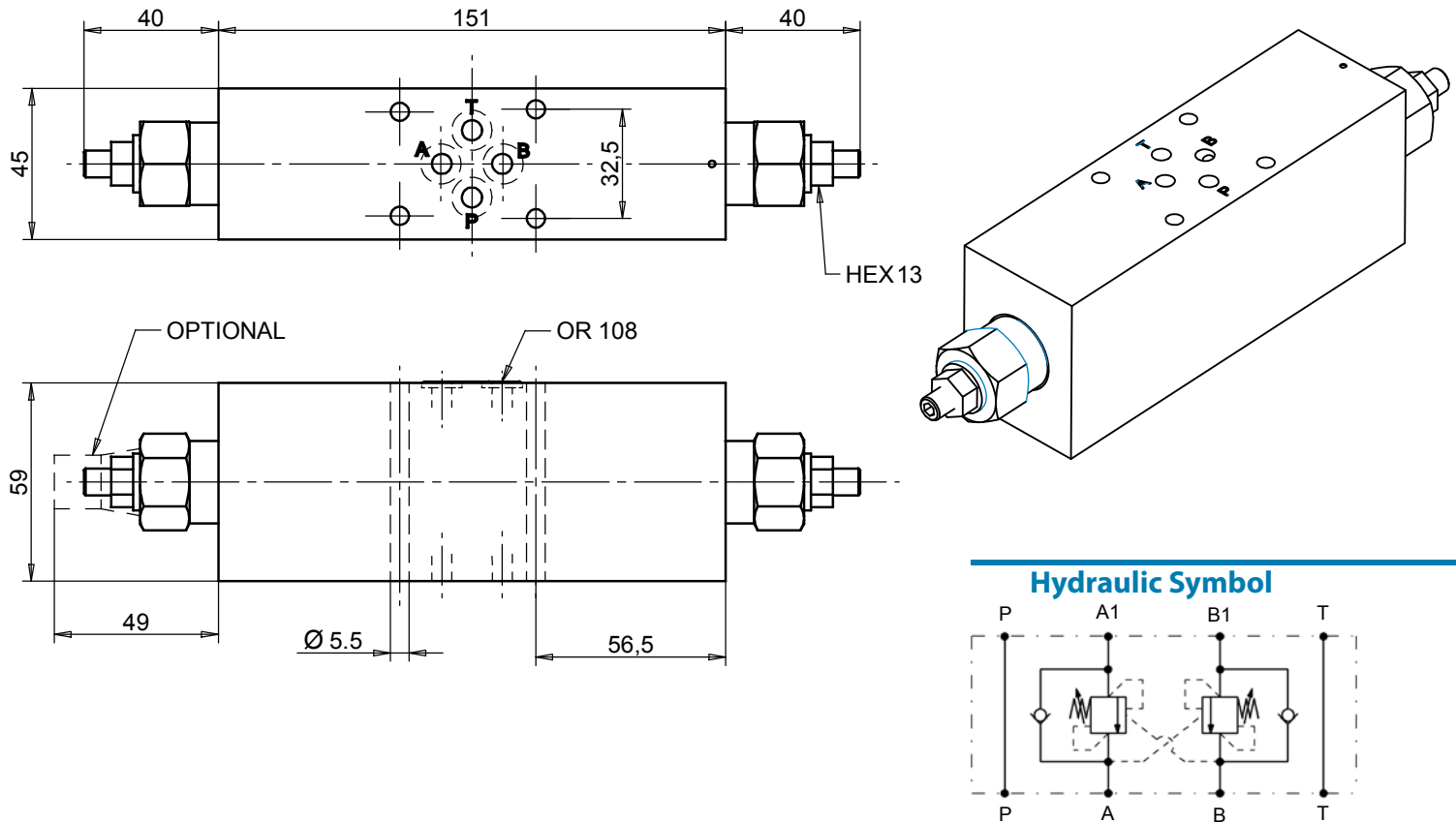
--

Spring (bar)

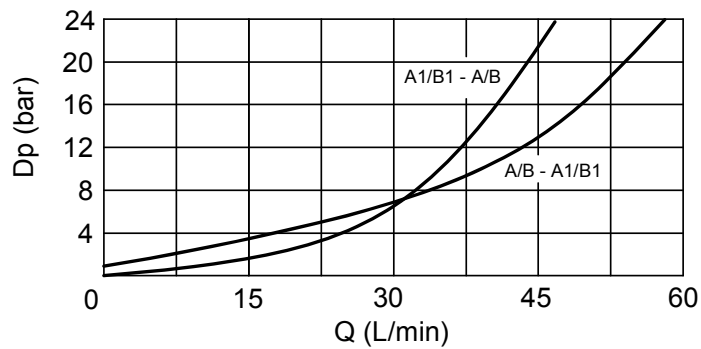
20	60-210
30	100-350

Ordering Code Example: CBSLBNG630 - 100-350 bar setting range.

Dimensions



Curves



Features

Max Flow	50 lpm
Max Pressure	350 bar
Pilot Ratio	4,2:1

Materials: Zinc plated steel cartridge, hardened steel inner parts.
Aluminium manifold.

Ordering Code

CBDLNG6

--

-

Spring

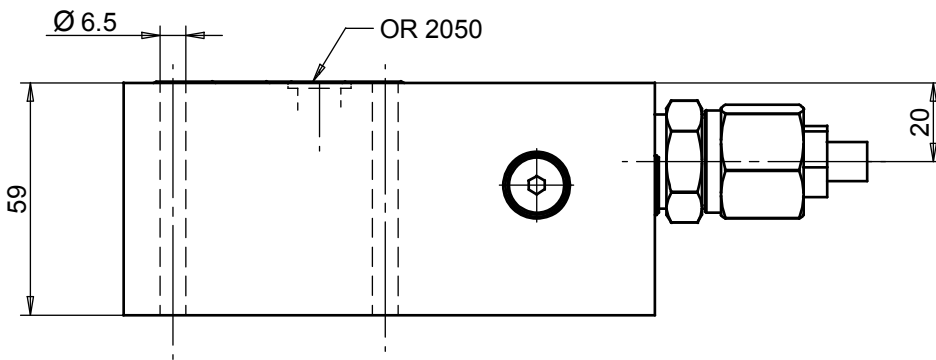
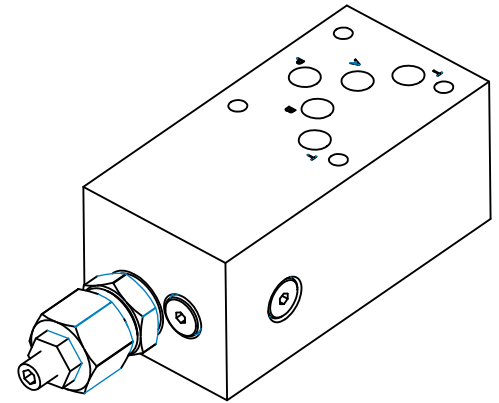
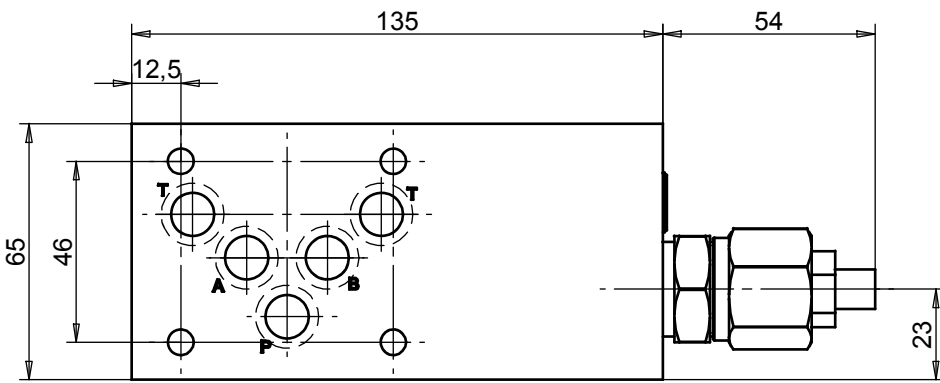
	Pressure Range (bar)	Increase (bar/turn)	Standard Setting (bar) Q=5 lpm
20	60 - 210	61	180
30	100 - 350	100	250

Pilot Ratio

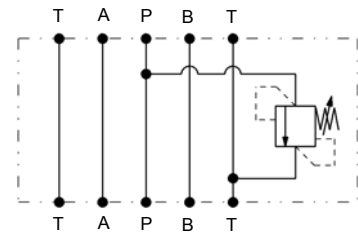
	4,2 : 1
8	8 : 1

Ordering Code Example: CBDLNG6208 - 61-180 bar setting range, 8:1 Pilot Ratio.

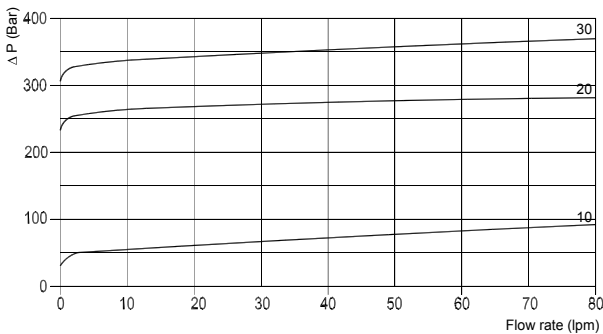
Dimensions



Hydraulic Symbol



Curves



Features

Max Flow	80 lpm
Max Pressure	250 bar

Materials: Zinc plated steel cartridge, hardened steel inner parts.
Aluminium manifold.

Ordering Code

PRPNG10 -- -

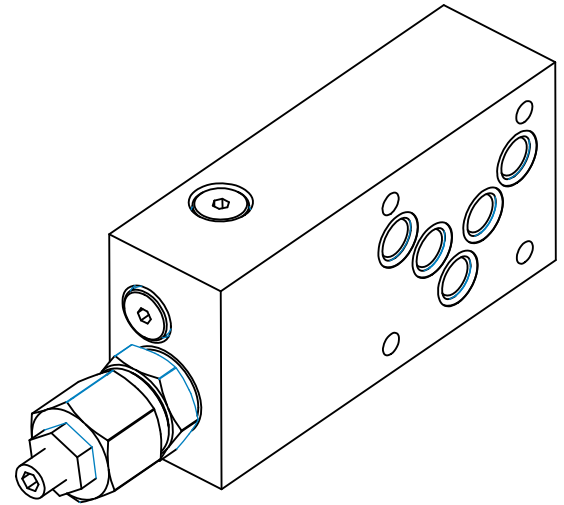
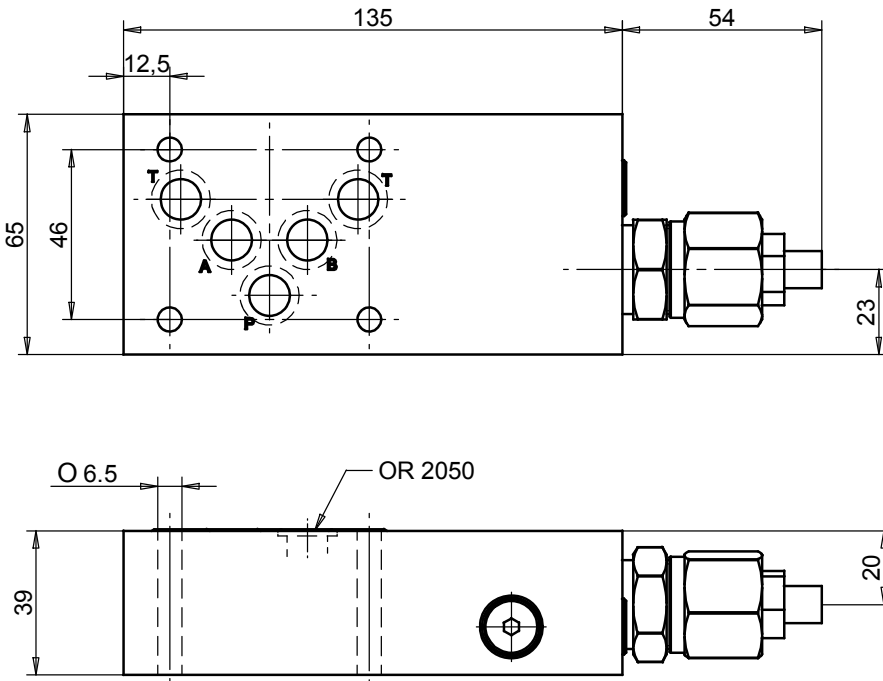
	Spring (bar)
10	5-50
20	30-260
30	130-350

Adjustments

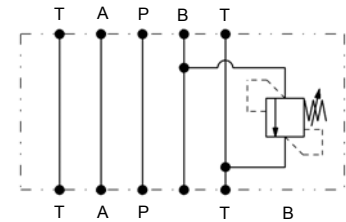
A		Socket Screw
B		Handknob
C		Tamperproof Cap

Ordering Code Example: PRPNG1020A - 30-260 bar setting range, Socket screw adjustment.

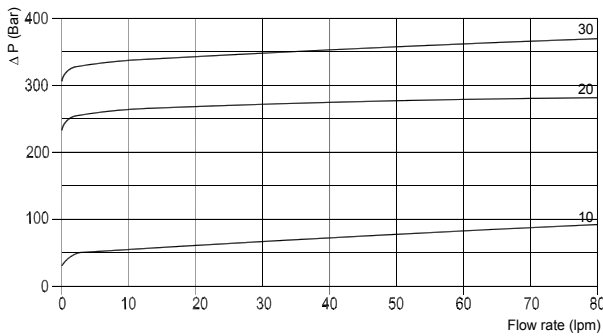
Dimensions



Hydraulic Symbol



Curves



Features

Max Flow	80 lpm
Max Pressure	250 bar

Materials: Zinc plated steel cartridge, hardened steel inner parts.
Aluminium manifold.


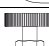
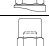
Ordering Code

PRPBNG10

Spring (bar)

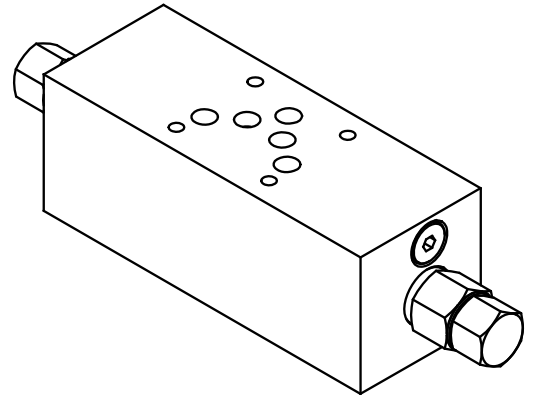
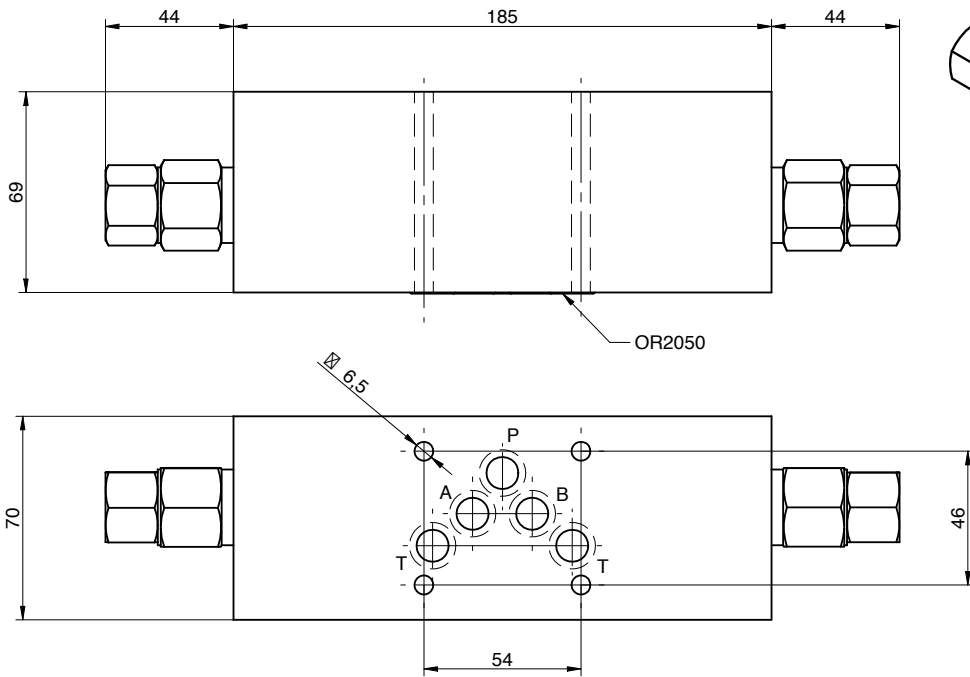
10	5-50
20	30-260
30	130-350

Adjustments

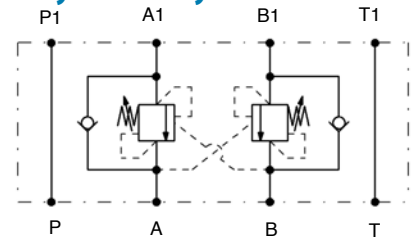
A		Socket Screw
B		Handknob
C		Tamperproof Cap

Ordering Code Example: PRPBNG1030A - 130-350 bar setting range, Socket screw adjustment.

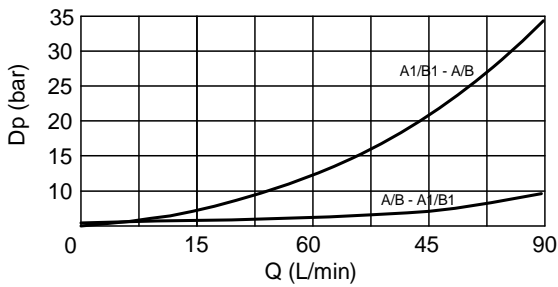
Dimensions



Hydraulic Symbol



Curves



Features

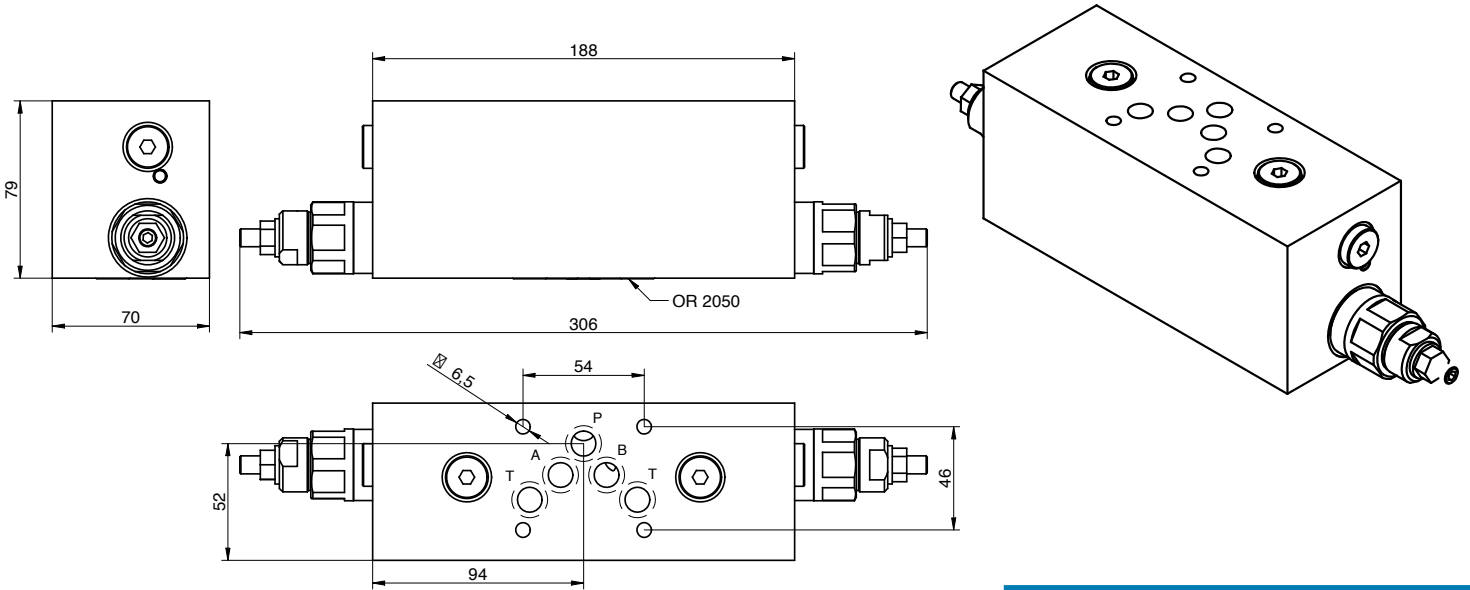
Max flow	85 lpm
Max pressure	350 bar
Pressure Range	100 - 350 bar
Pilot ratio	4,2 : 1

Materials: Aluminium body

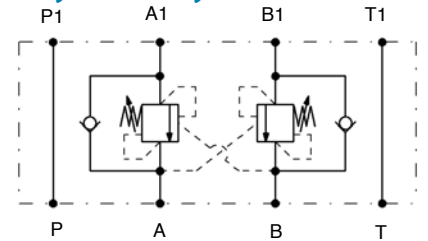
Ordering Code

CBDLNG10

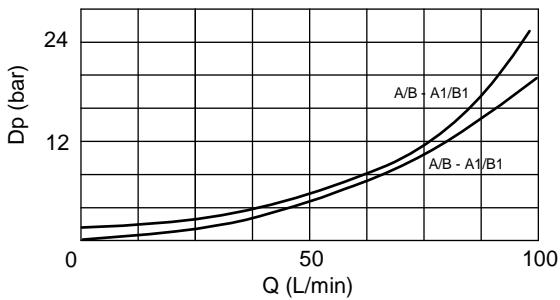
Dimensions



Hydraulic Symbol



Curves



Features

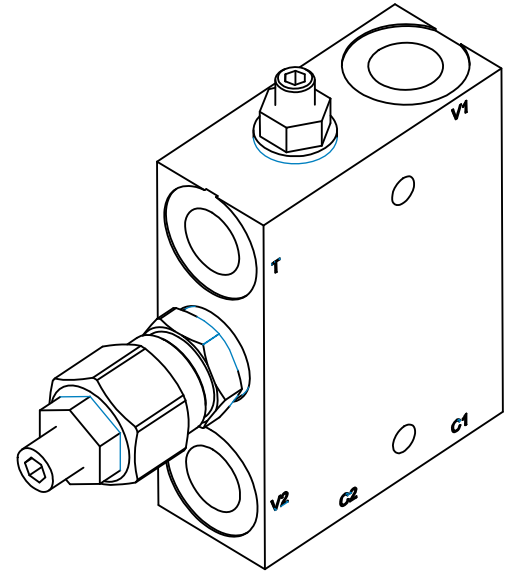
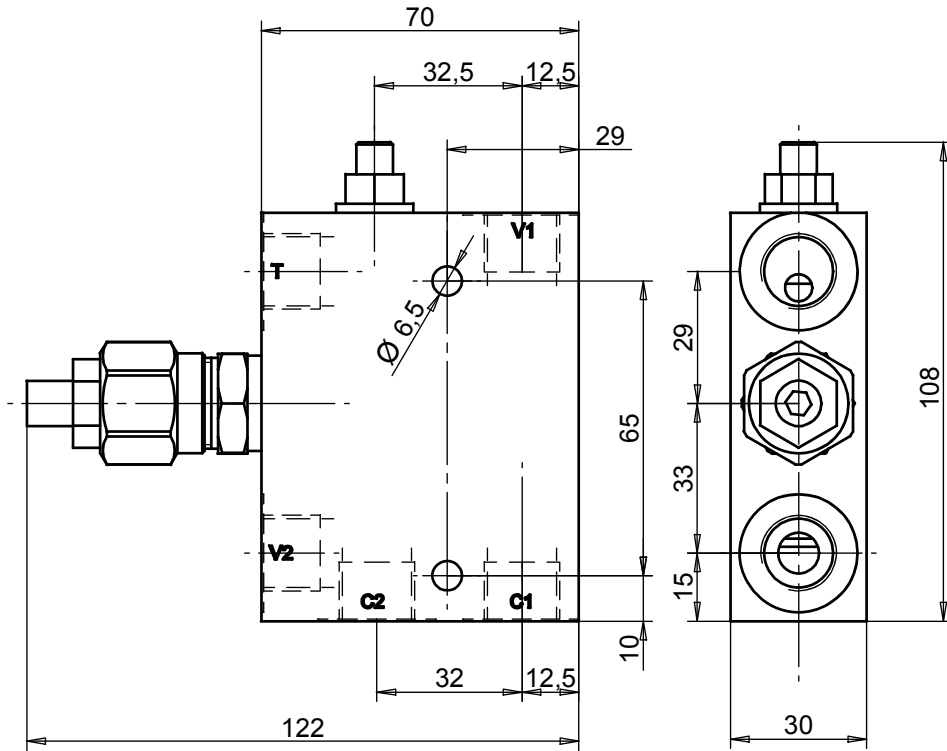
Max flow	100 lpm
Max pressure	250 bar
Pressure Range	140 - 350 bar
Pilot ratio	4 : 1

Materials: Aluminium body

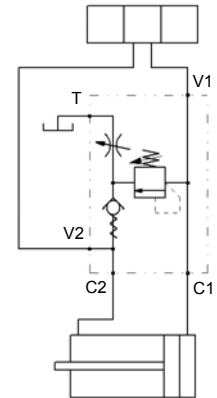
Ordering Code

CBCE120DLNG10

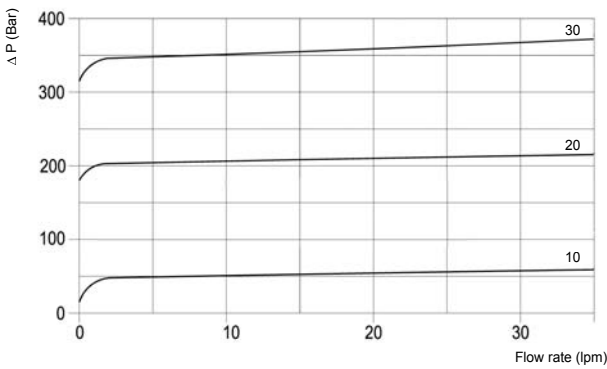
Dimensions



Hydraulic Symbol



Curves



Features

Max Flow	30 lpm
Max Pressure	350 bar
Ports	V1-V2: G 3/8 C1-C2: G 3/8 T: G 3/8

Materials: Zinc plated steel cartridge, hardened steel inner parts.
Aluminium manifold.

Ordering Code

BIPRST 02 -- -

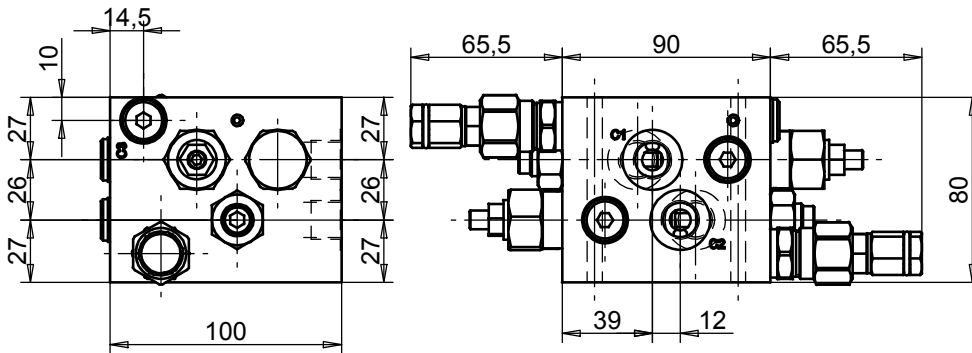
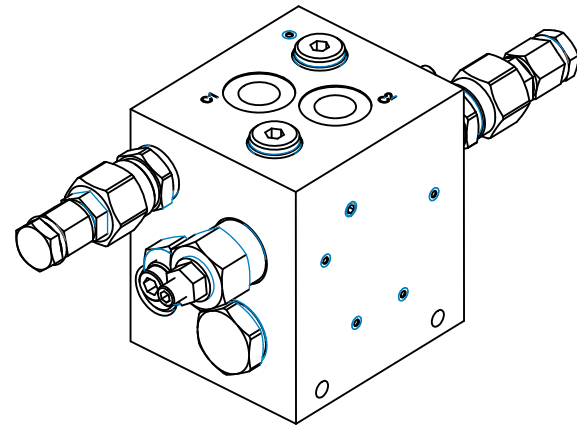
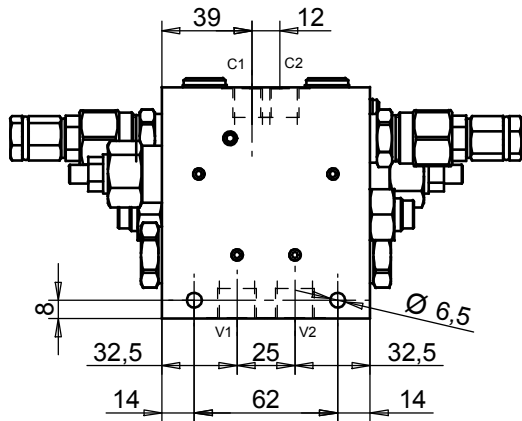
	Spring (bar)
10	5-50
20	40-210
30	100-350

Adjustments

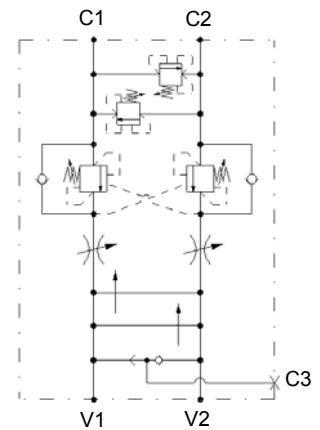
A		Socket Screw
B		Handknob
C		Tamperproof Cap

Ordering Code Example: BIPRST0220B - 40-210 bar setting range, Handknob adjustment.

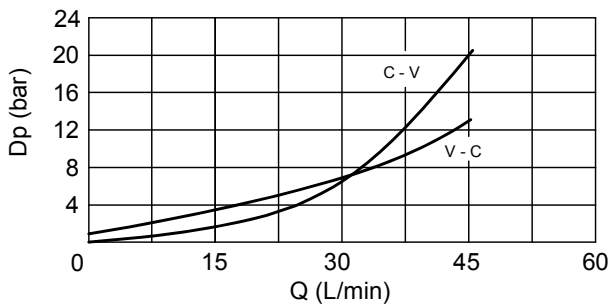
Dimensions



Hydraulic Symbol



Curves



Materials: Zinc plated steel cartridge, hardened steel inner parts.
Aluminium manifold.

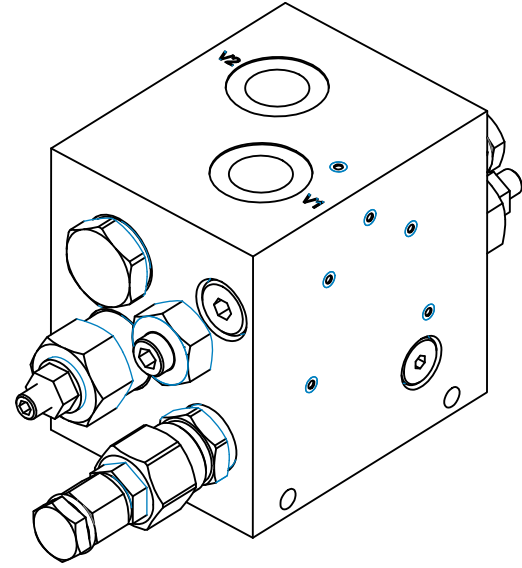
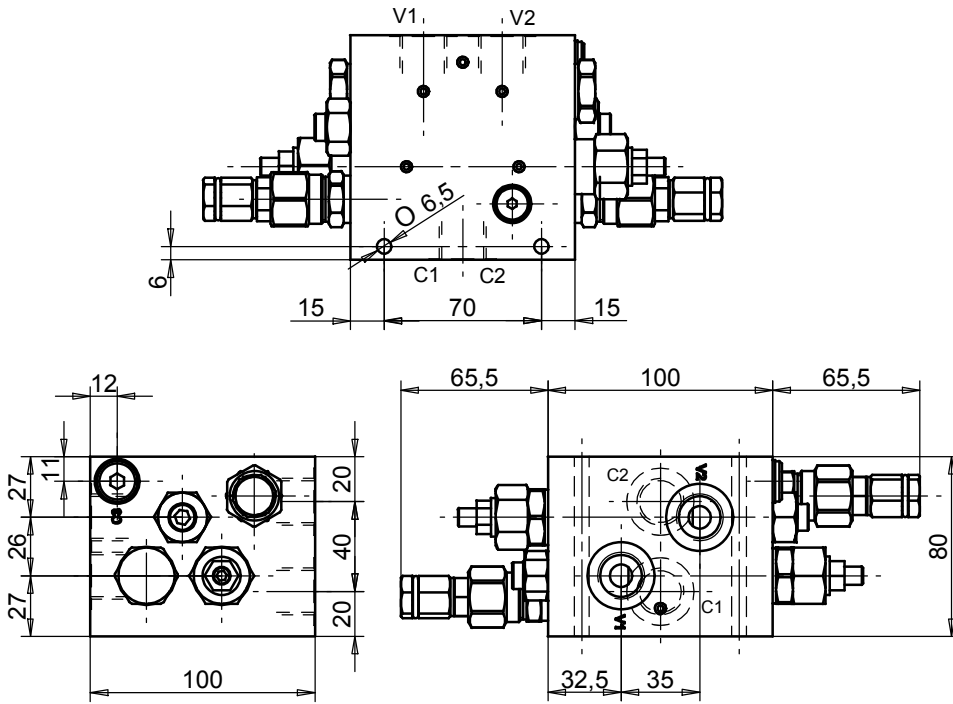
Features

Max Flow	45 lpm
Max Pressure	270 bar
Pilot Ratio	4,2:1 Standard
Ports	V1-V2: G 3/8 C1-C2: G 3/8 C3: G 1/4
Std. Pressure range	100 - 350 bar

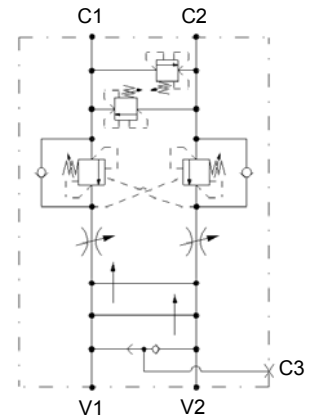
Ordering Code

VCRT 02

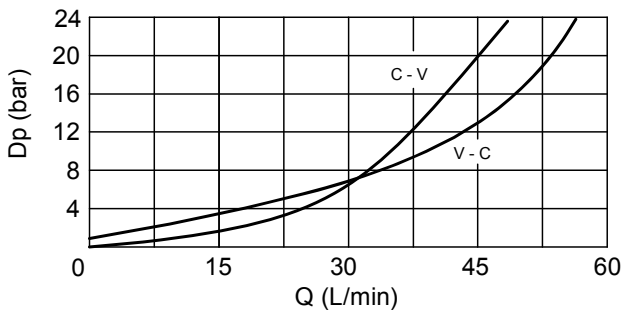
Dimensions



Hydraulic Symbol



Curves



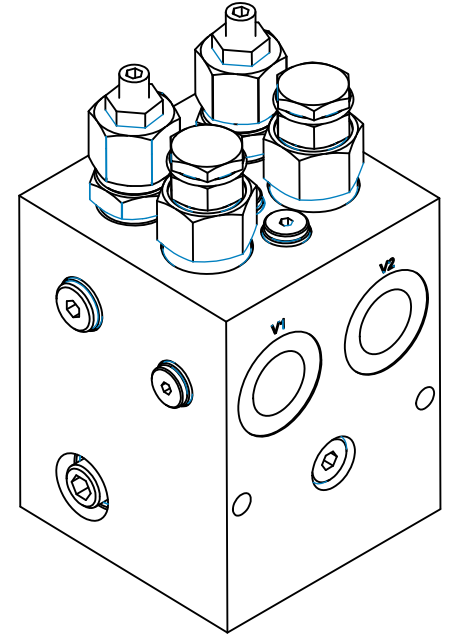
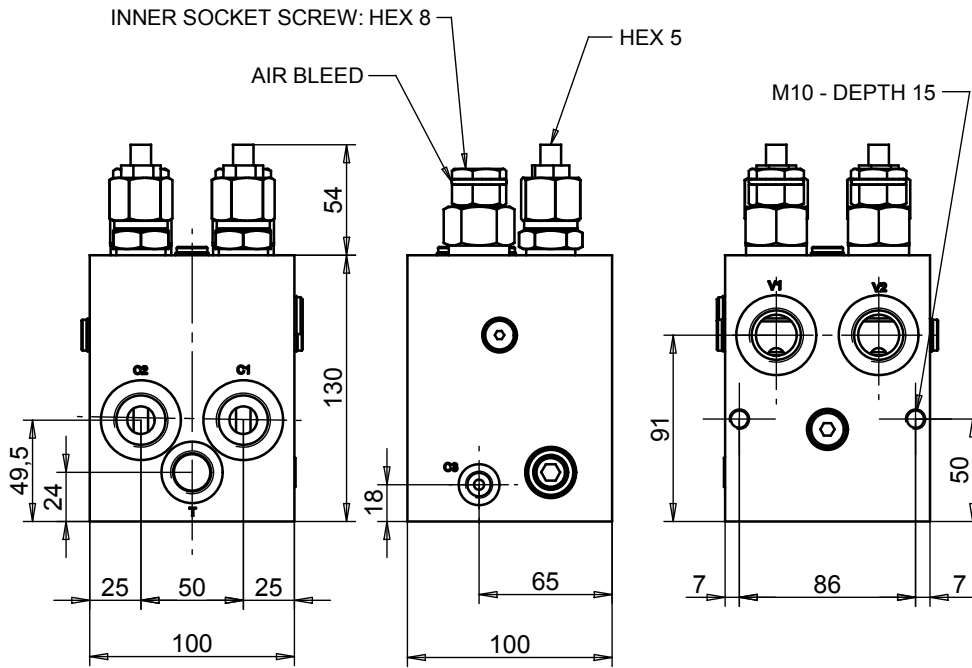
Features

Max Flow	60 lpm
Max Pressure	270 bar
Pilot Ratio	4,2:1
Ports	V1-V2: G 1/2 C1-C2: G 1/2 C3: G 1/4
Std. Pressure range	100 - 350 bar

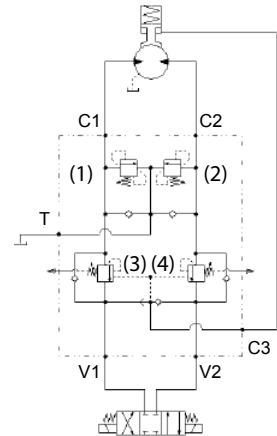
Ordering Code

VCRT 03

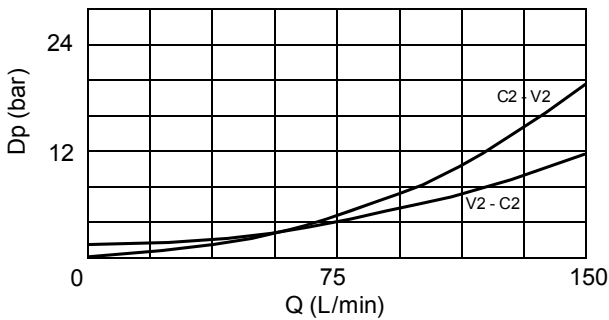
Dimensions



Hydraulic Symbol



Curves



Materials: Zinc plated steel cartridge, hardened steel inner parts.
Aluminium manifold.

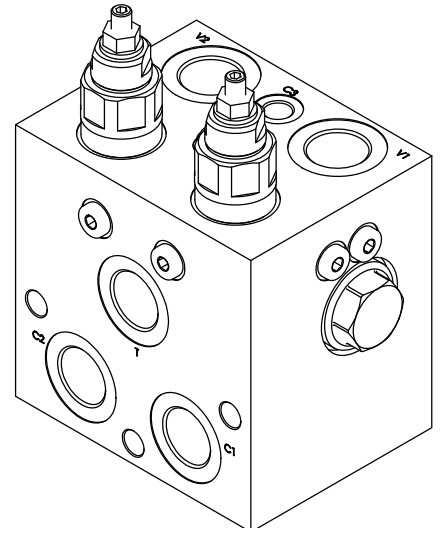
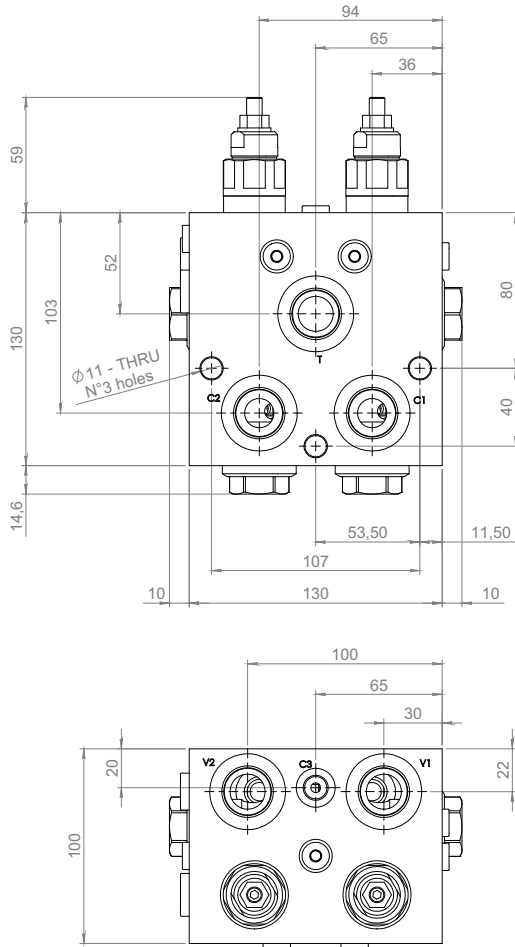
Features

Max Flow	150 lpm
Max Pressure	250 bar
Pilot Ratio	4:1
Ports	V1-V2-C1-C2: G 3/4 T: G 1/2 C3: G 1/4
Std. Pressure range	(3)-(4) 100 - 350 bar (1)-(2) 140 - 350 bar

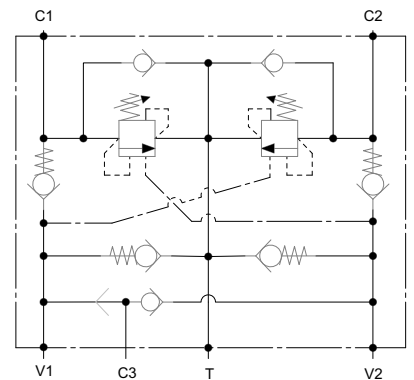
Ordering Code

VMOCL150CC 04

Dimensions



Hydraulic Symbol



Curves

Features

Size	04	05
Max Pressure (bar)	280	280
Max Flow Rate (lpm)	100	100
Overcentre Setting Range (bar)	140 - 350	140 - 350
Pilot ratio	4 : 1	4 : 1

Materials: Aluminium body

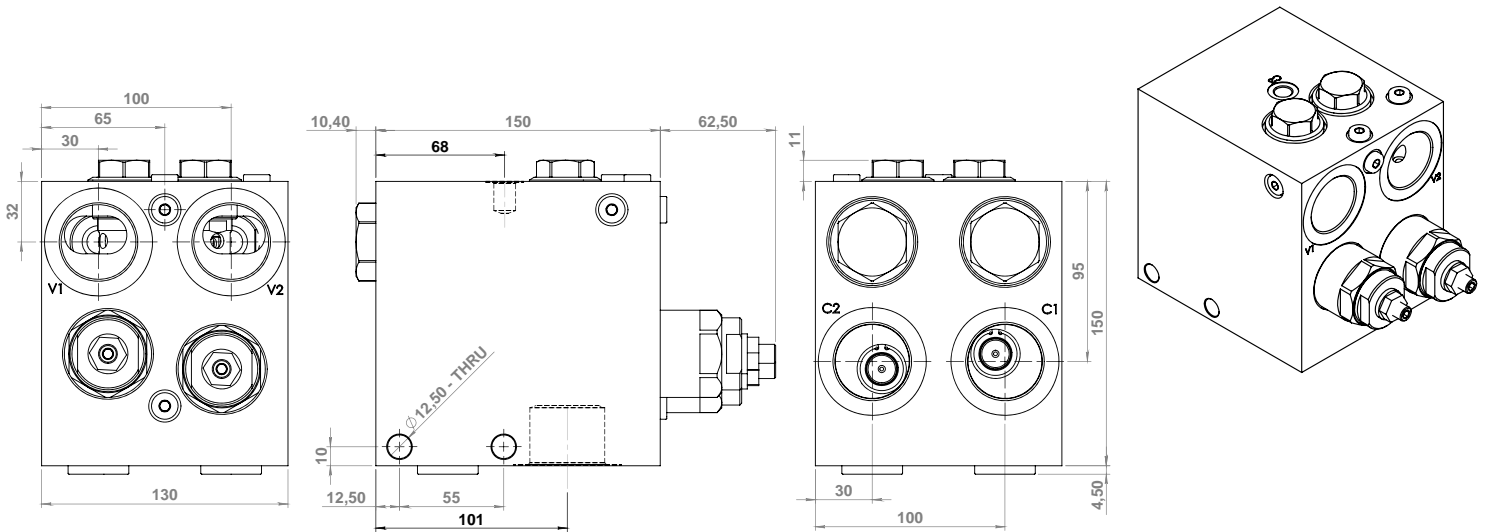
Ordering Code

VMOCLHSF - -

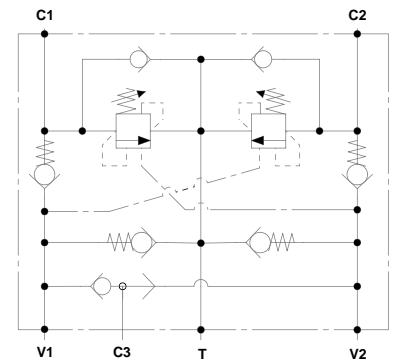
	Size BSP
04	3/4
05	1

Ordering Code Example: VMOCLHSF05 - 1" port size.

Dimensions



Hydraulic Symbol



Curves

Features

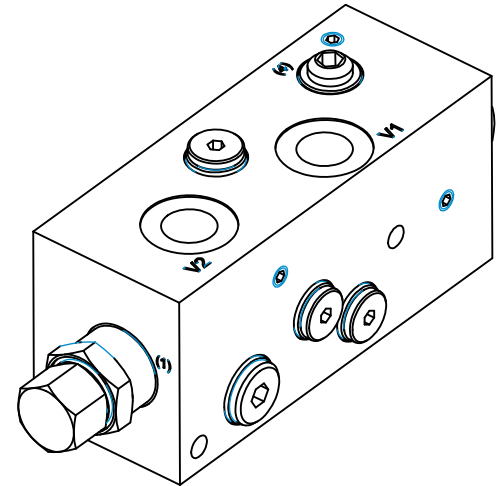
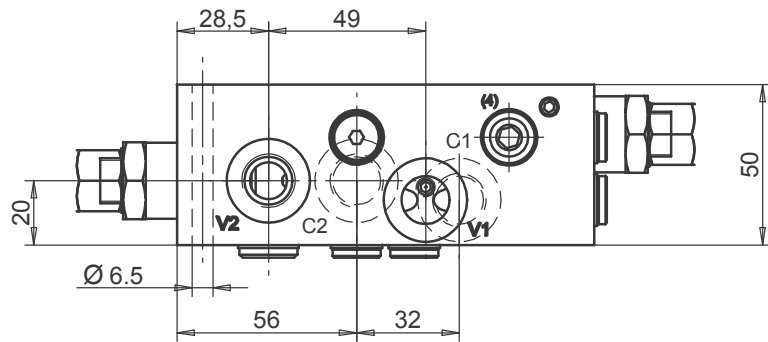
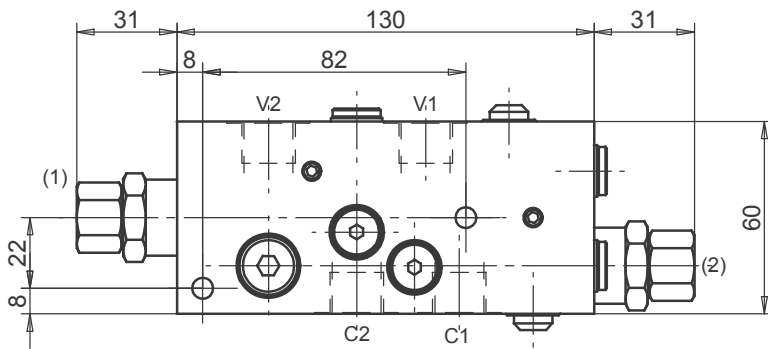
Max Pressure (bar)	280
Max Flow Rate (lpm)	350
Overcentre Setting Range (bar)	140 - 350
Pilot ratio	4 : 1
Port Size	V1-V2-C1-C2-T = G 1"1/4 BSP; C3 = G 1/4 BSP

Materials: Aluminium body

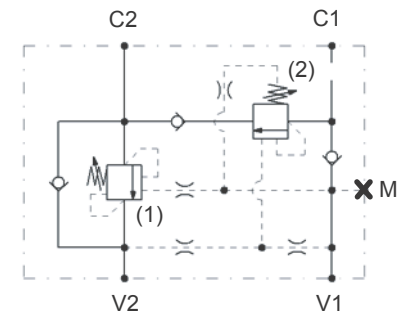
Ordering Code

VMOCLHSF0630

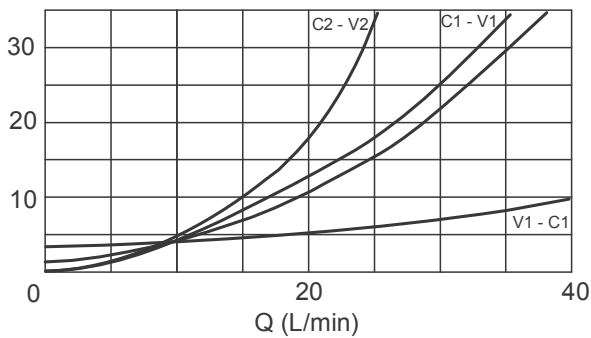
Dimensions



Hydraulic Symbol



Curves



Materials: Zinc plated steel cartridge, hardened steel inner parts.
Aluminium manifold.

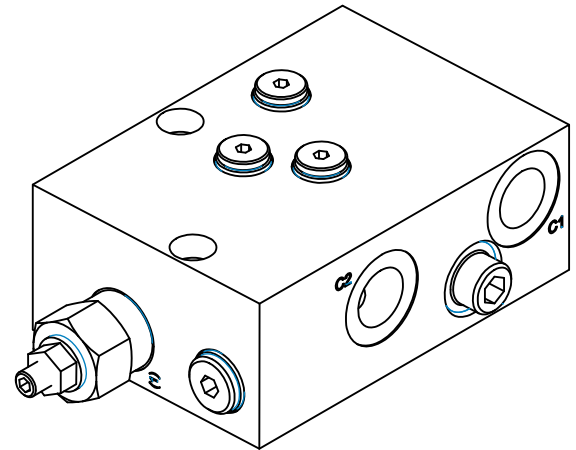
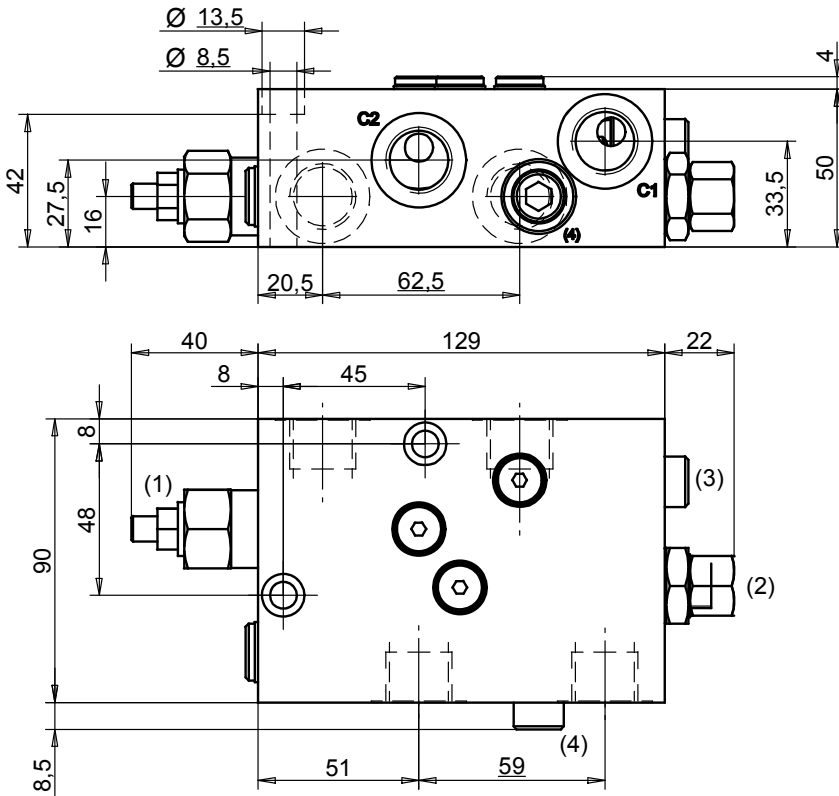
Features

Max Flow	40 lpm
Max Pressure	350 bar
Ports	V1-V2: G 3/8 C1-C2: G 3/8
Pressure increase/turn	140 bar
Pilot Ratio	4:1
Std. Pressure range	100 - 350 bar

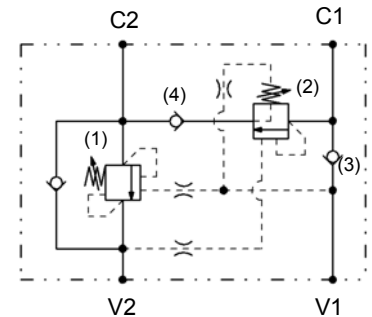
Ordering Code

CBDLRG 02

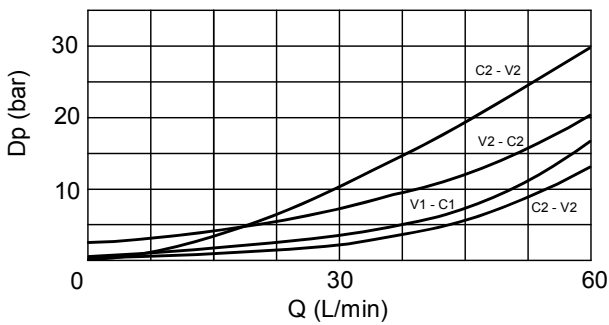
Dimensions



Hydraulic Symbol



Curves



Materials: Zinc plated steel cartridge, hardened steel inner parts.
Aluminium manifold.

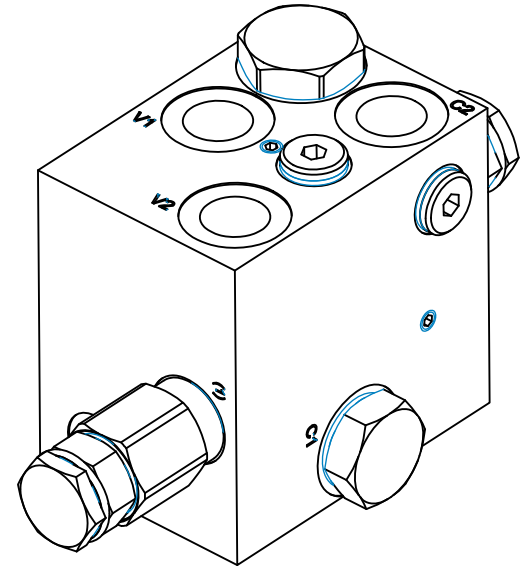
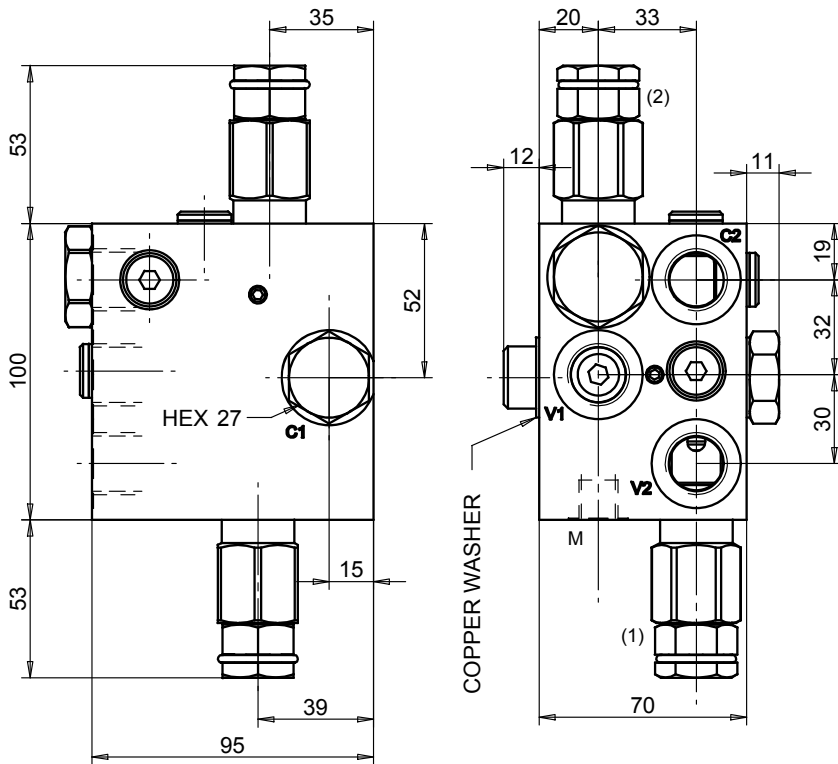
Features

Max Flow	60 lpm	
Max Pressure	350 bar	
Ports	V1-V2: G 1/2 C1-C2: G 1/2	
	1	2
Pilot Ratio	4,2:1	4:1
Std. Pressure range	100 - 350 bar	100 - 350 bar

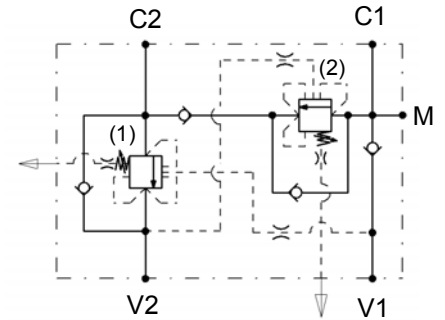
Ordering Code

CBDLRG 03

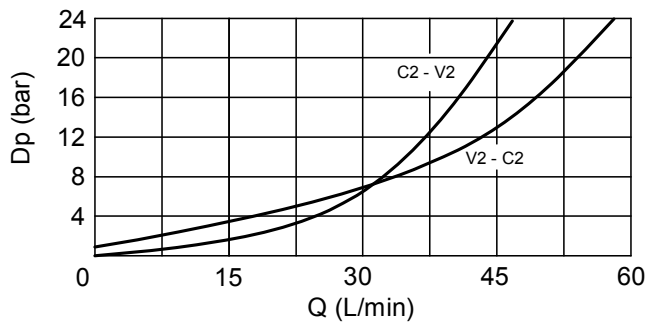
Dimensions



Hydraulic Symbol



Curves



Materials: Zinc plated steel cartridge, hardened steel inner parts.
Aluminium manifold.

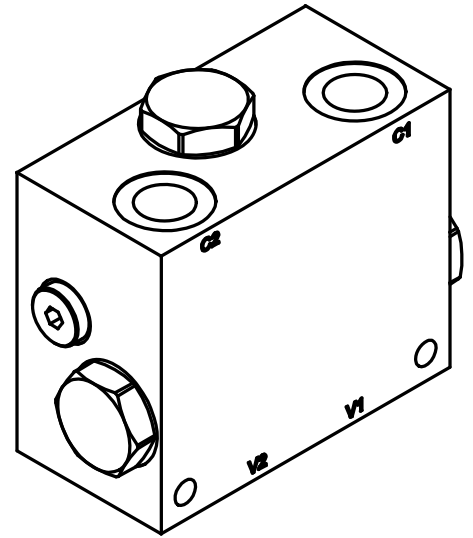
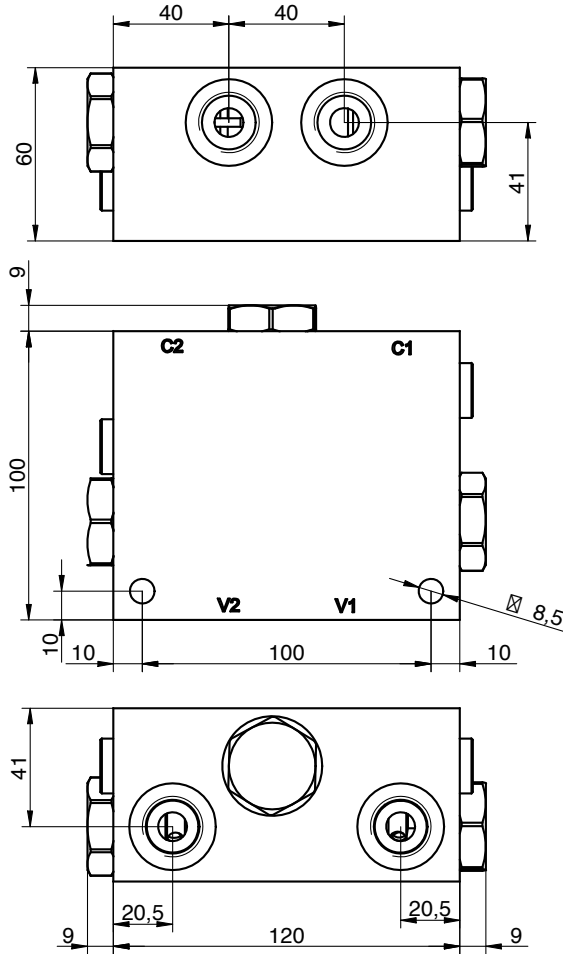
Features

Max Flow	40 lpm
Max Pressure	350 bar
Ports	V1-V2-C1-C2: G 1/2 M: G 1/4
Pilot Ratio	4,2:1
Std. Pressure range	100 - 350 bar

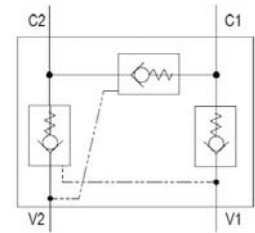
Ordering Code

CBSLRGBFCC 03

Dimensions



Hydraulic Symbol



Curves

Features

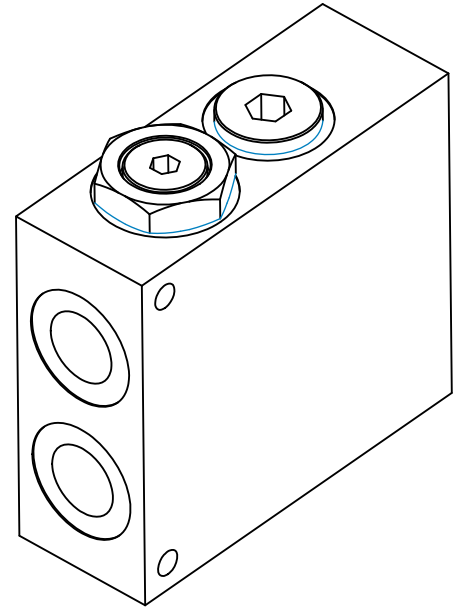
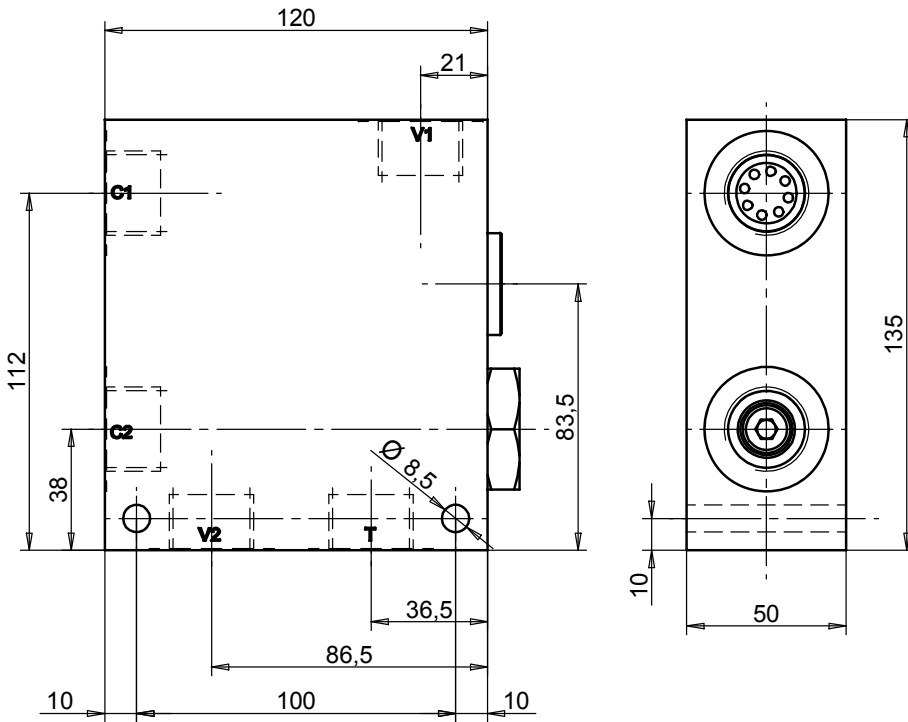
Max flow	60 lpm
Max pressure	350 bar
Cracking pressure	3 bar
Pilot ratio	3,2 : 1
Port Sizes	V1 - V2 - C1 - C2: G 1/2

Materials: Aluminium body

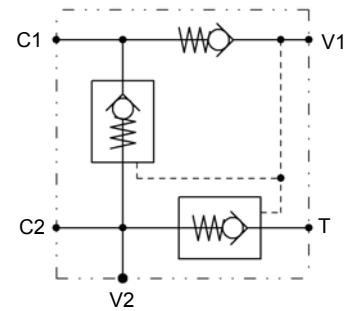
Ordering Code

RGV3RH03

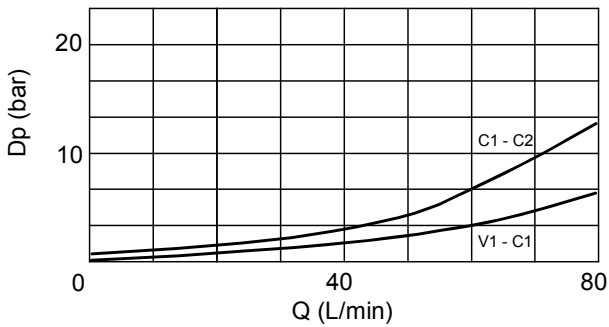
Dimensions



Hydraulic Symbol



Curves



Features

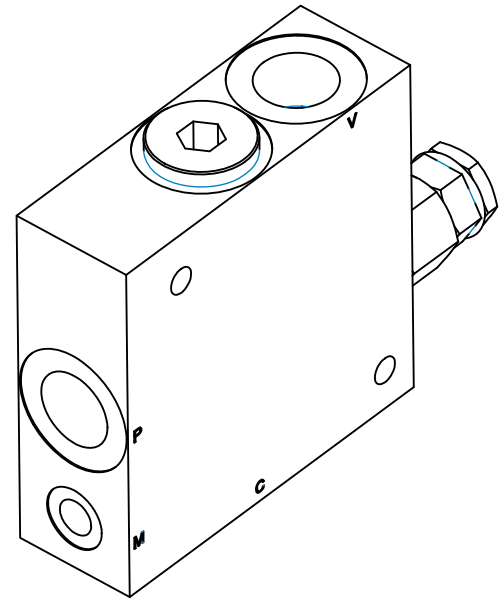
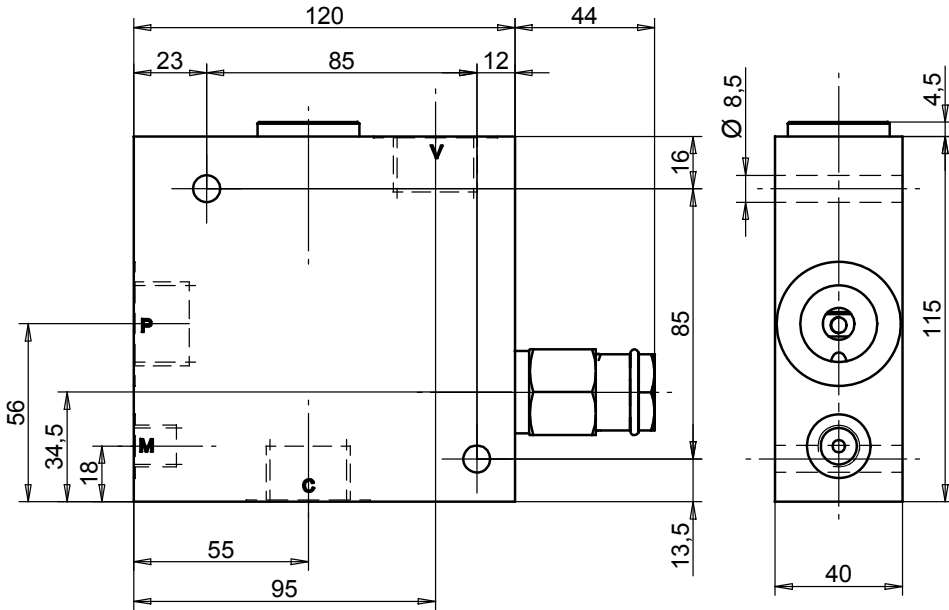
Max Flow	80 lpm
Max Pressure	350 bar
Ports	V1-V2-C1-C2-T: G 3/4

Materials: Zinc plated steel manifold, hardened steel inner parts.

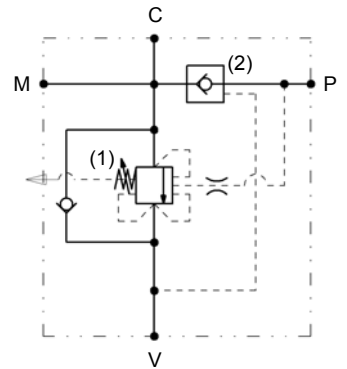
Ordering Code

RGV3R 04

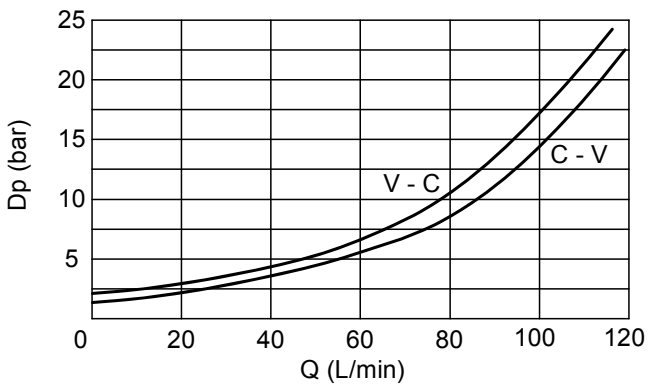
Dimensions



Hydraulic Symbol



Curves



Features

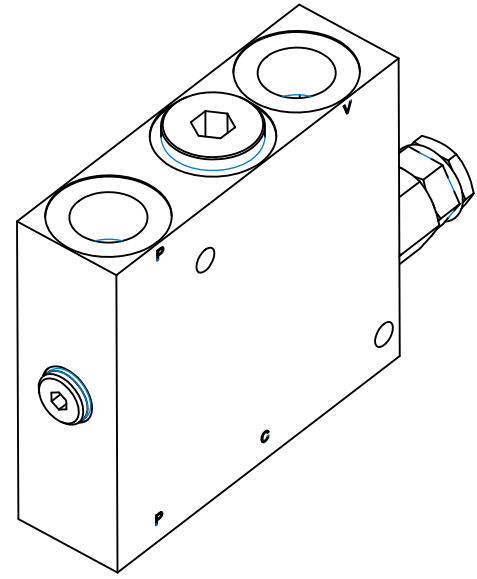
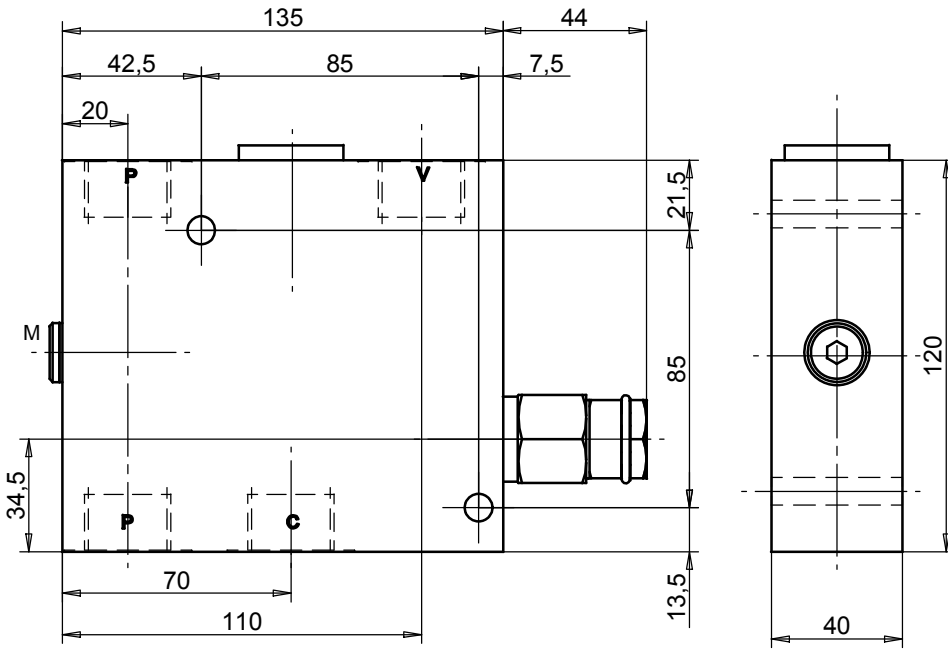
Max Flow	120 lpm	
Max Pressure	350 bar	
Ports	V-C-P: G 3/4 M: G 1/4	
Pilot Ratio	(1) 4,2:1	(2) 4:1
Std. Pressure range	100 - 350 bar	

Materials: Zinc plated steel manifold, hardened steel inner parts.

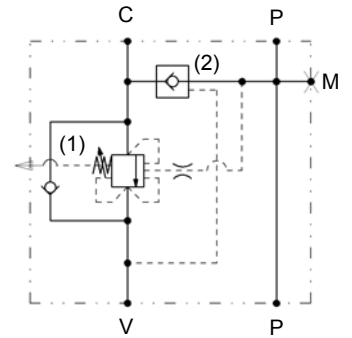
Ordering Code

CB90SLRGCC 04

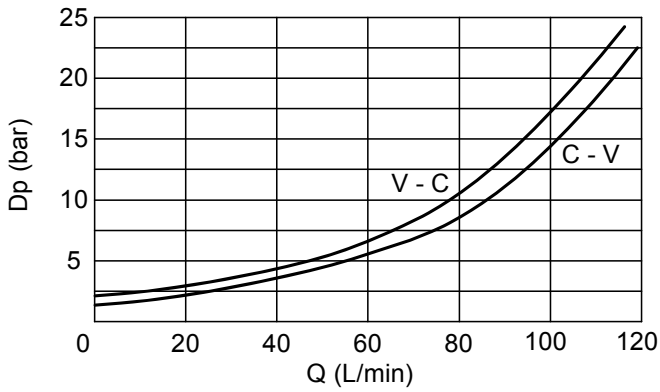
Dimensions



Hydraulic Symbol



Curves



Features

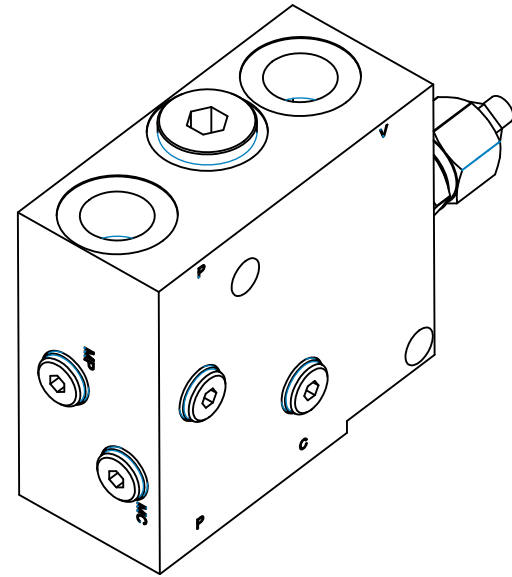
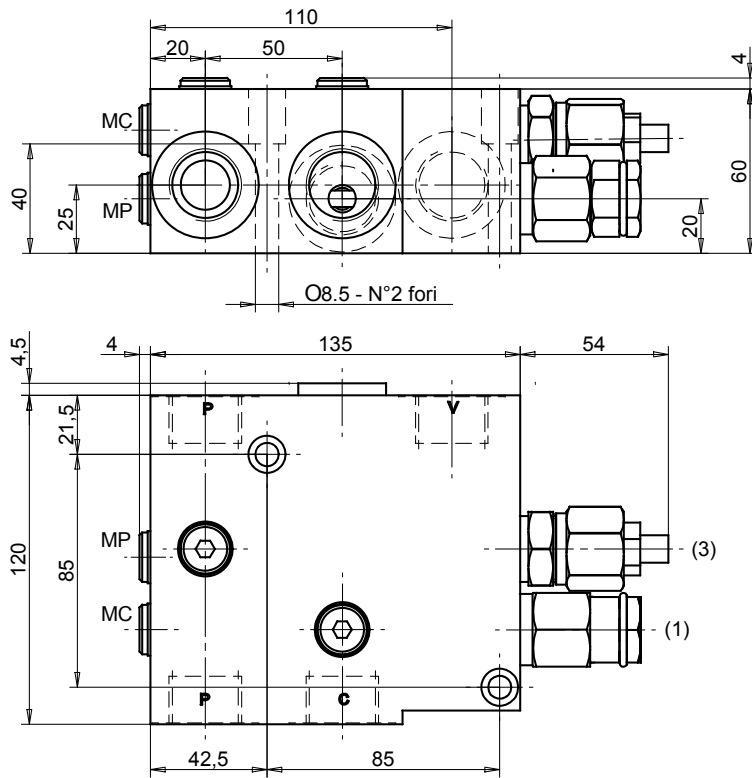
Max Flow	120 lpm	
Max Pressure	350 bar	
Ports	V-P-C: G 3/4 MP-MC: G 1/4	
Pilot Ratio	(1) 4,2:1	(2) 4:1
Std. Pressure range	100 - 350 bar	

Materials: Zinc plated steel manifold, hardened steel inner parts.

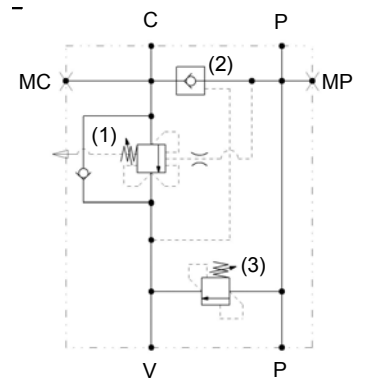
Ordering Code

CB90SLRGTC 04

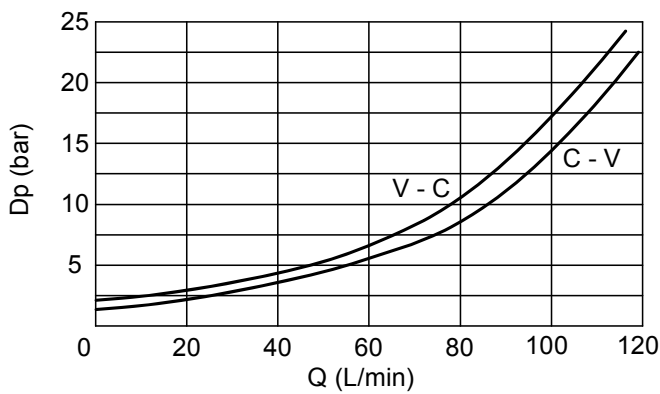
Dimensions



Hydraulic Symbol



Curves



Materials: Zinc plated steel body

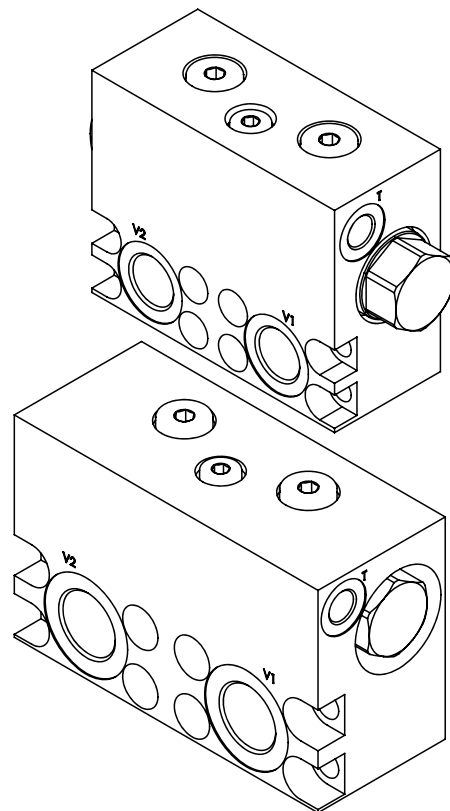
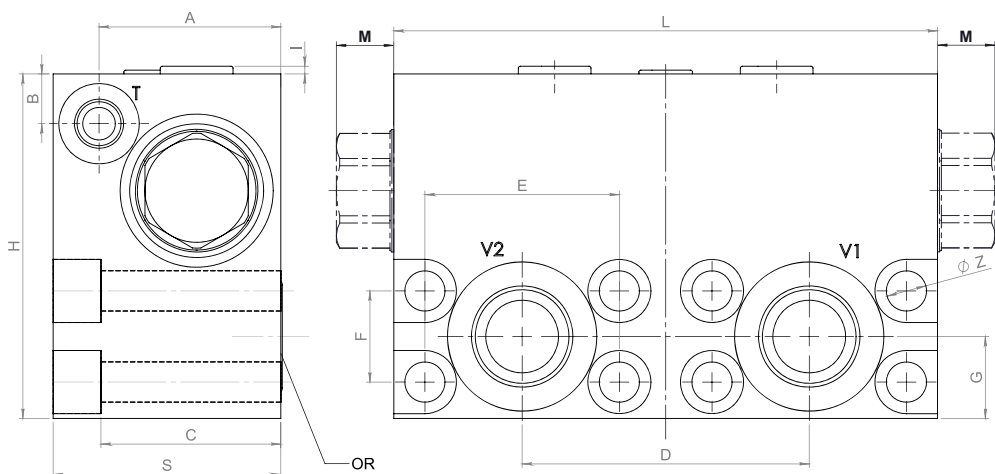
Features

Max Flow	120 lpm		
Max Pressure	350 bar		
Ports	V-P-C: G 3/4 MP-MC: G 1/4		
Pilot Ratio	(1)	(2)	(3)
Std. Pressure range	100 - 350 bar		130 - 350 bar

Ordering Code

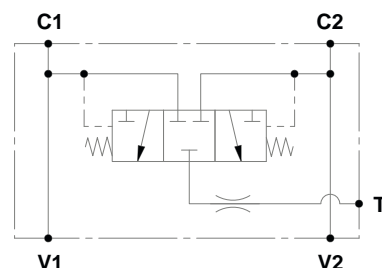
CB90SLRGTPRCC 04

Dimensions



Size	A	B	C	D	E	F	G	H	I	L	M	S	Ø Z	OR
03	36,5	15,5	39	59	40,5	18,2	17,6	90	-	113,5	15	49,5	8,5	18,64x3,53
04	47,5	13	47	75	50,8	23,8	21,4	90	2	142	-	59,5	10,5	23,40x3,53
05	47,5	17	45	84	57,5	27,8	25	100	-	160	-	59,5	12,5	32,93x3,53

Hydraulic Symbol



Curves

Features

Size	03	04	05
Max Pressure (bar)	420	420	420
Max Flow Rate (lpm)	150	300	500
Flushing Flow (lpm)	6 ÷ 8	8 ÷ 10	10 ÷ 12
Orifice Diameter (mm)	1,7	1,9	2,1
Port Sizes	V1 - V2: G 1/2 C1 - C2: 1/2 SAE6000 T: G 1/4	V1 - V2: G 3/4 C1 - C2: 3/4 SAE6000 T: G 1/4	V1 - V2: G 1 C1 - C2: 1 SAE6000 T: G 1/4

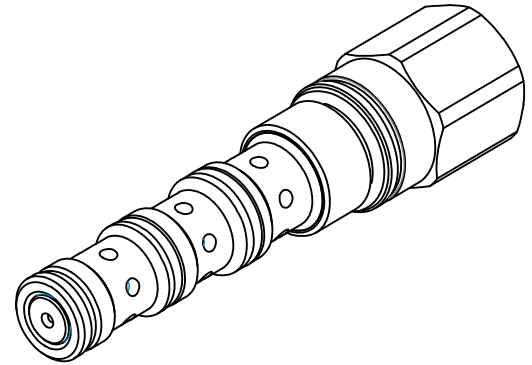
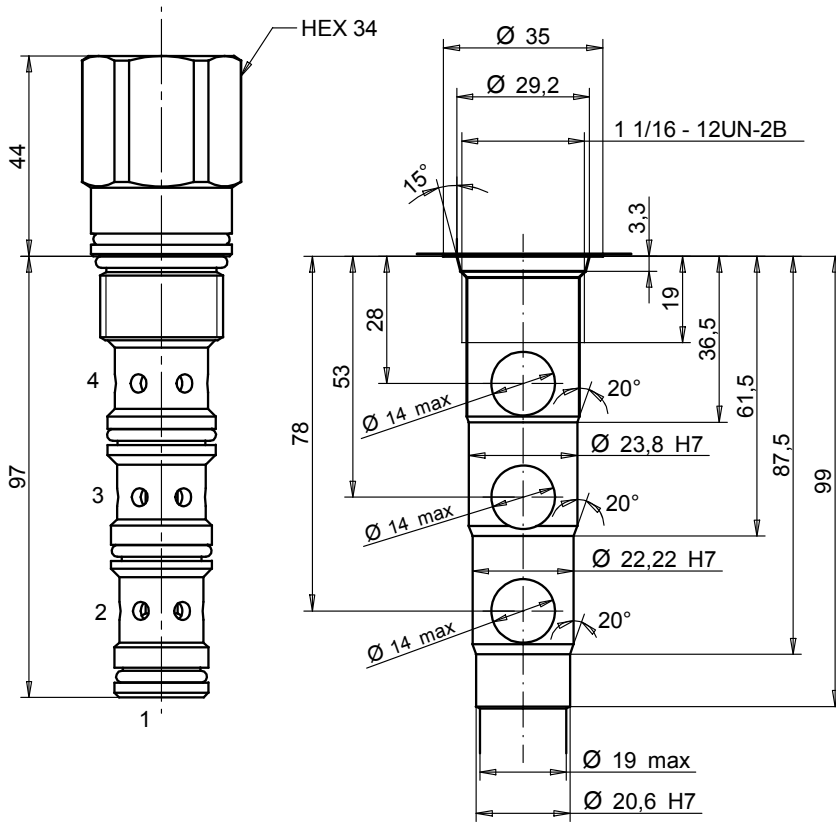
Materials: Zinc plated steel manifold

Ordering Code

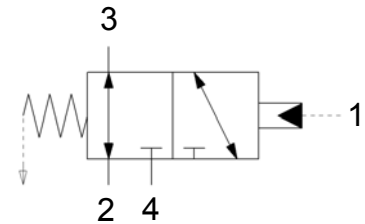
VPURX	--	T01
Port Size BSP		
03		1/2
04		3/4
05		1

Ordering Code Example: VPURX05T01 - 1" port size.

Dimensions



Hydraulic Symbol



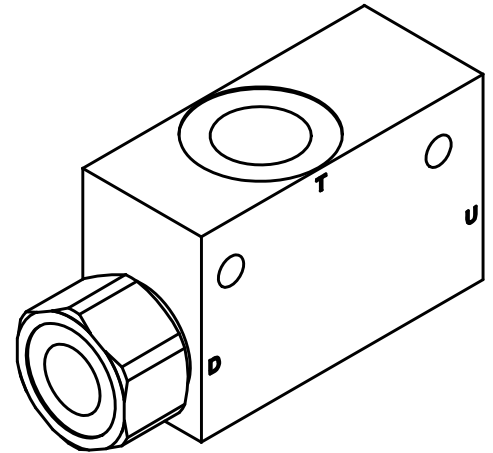
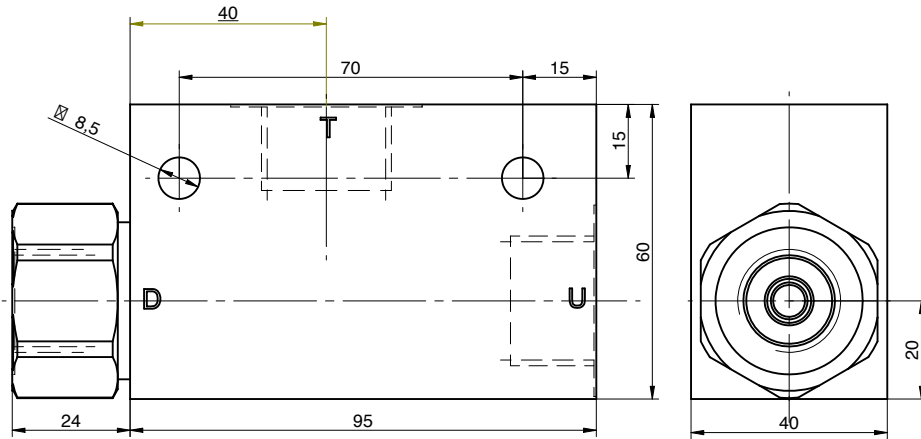
Features

Max Flow	120 lpm
Max Pressure	350 bar
Pilot pressure	11 bar
Installation torque	90 - 110 Nm

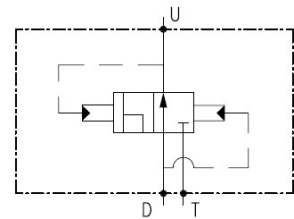
Ordering Code

VD32CS 120

Dimensions



Hydraulic Symbol



Curves

Features

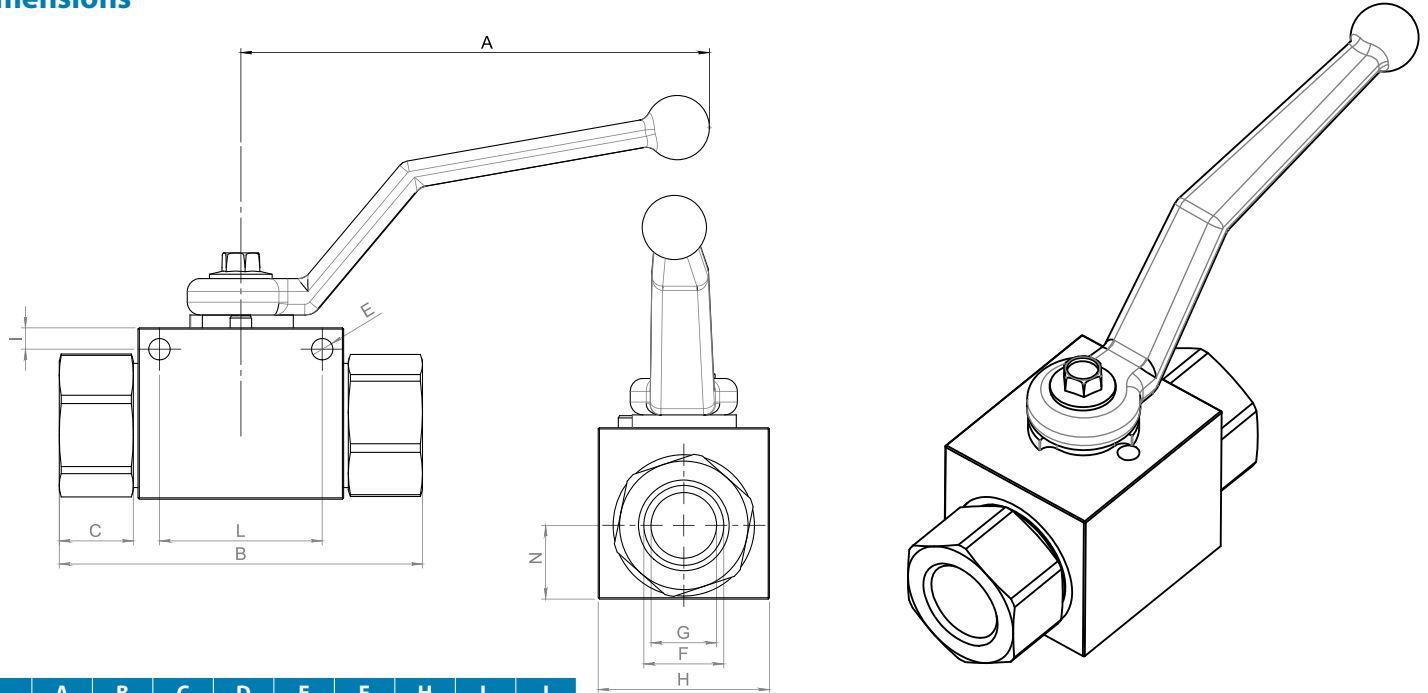
Max flow	90 lpm
Max pressure	210 bar
Port Sizes	D: G 1/2 U - T: G 3/4

Materials: Aluminium body

Ordering Code

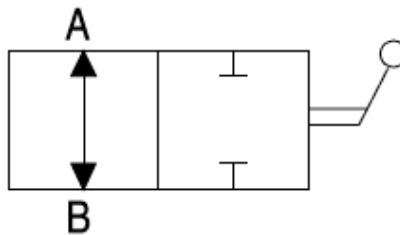
ADV04

Dimensions



Size	A	B	C	D	E	F BSP	H	L	I
01	105	69	17	35	4,5	1/4	25	25	7,5
02	105	73	15	40	5	3/8	30	35	5
03	105	86	19	40	6	1/2	40	38	5
04	160	97	17	55	8	3/4	55	49	6
05	160	114	24	60	8	1"	60	55	6
06	160	125	29	60	8	1" 1/4	60	55	6
07	160	125	29	60	8	1" 1/2	60	55	6

Hydraulic Symbol



Ordering Code

BV2W

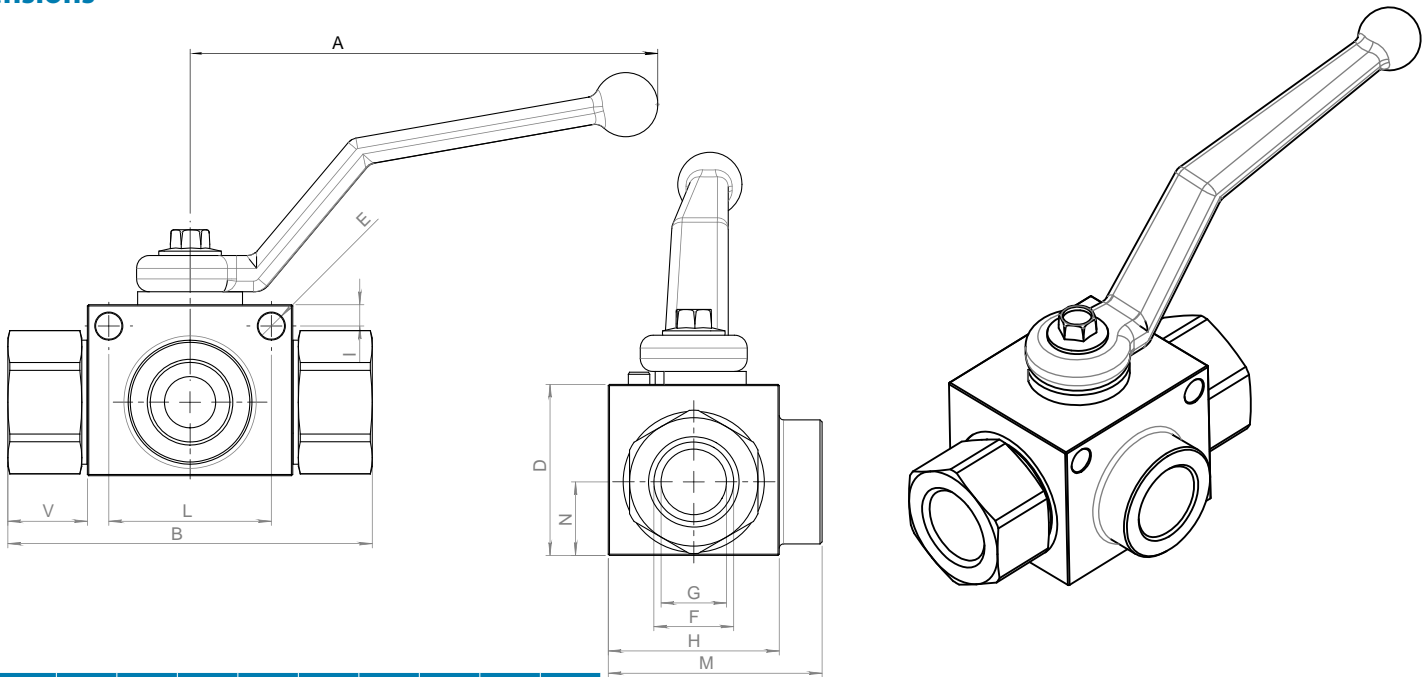
--

Port Size BSP

01	1/4
02	3/8
03	1/2
04	3/4
05	1"
06	1" 1/4
07	1" 1/2

Ordering Code Example: **BV2W02** - 3/8" BSP Ports.

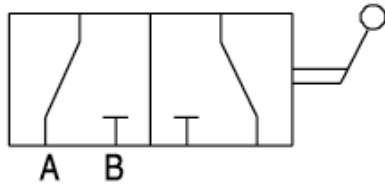
Dimensions



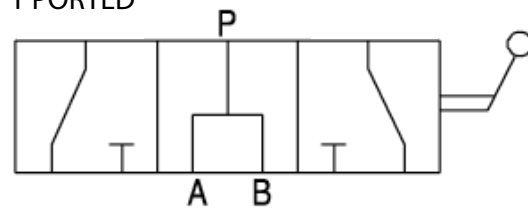
Size	A	B	C	D	E	F BSP	H	I	L	M
01	105	69	17	35	4,5	1/4	25	7,5	25	40
02	105	73	15	40	5	3/8	30	5	35	44
03	105	85	19	40	6	1/2	40	5	38	54
04	160	97	17	55	8	3/4	55	7	49	71
05	160	114	24	60	8	1"	60	6	55	84
06	160	125	29	60	8	1" 1/4	60	6	55	88
07	160	125	29	60	8	1" 1/2	60	6	55	88

Hydraulic Symbol

L PORTED



T PORTED



Ordering Code

BV3W

--

-

Port Size BSP

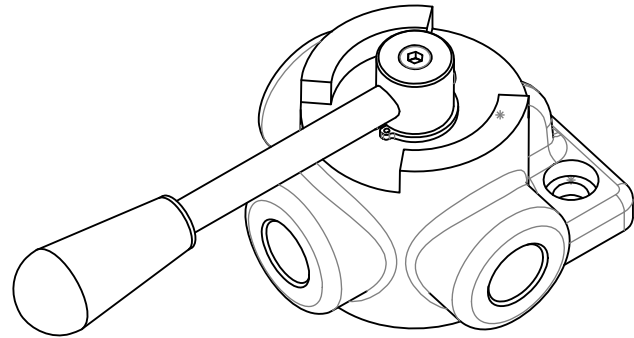
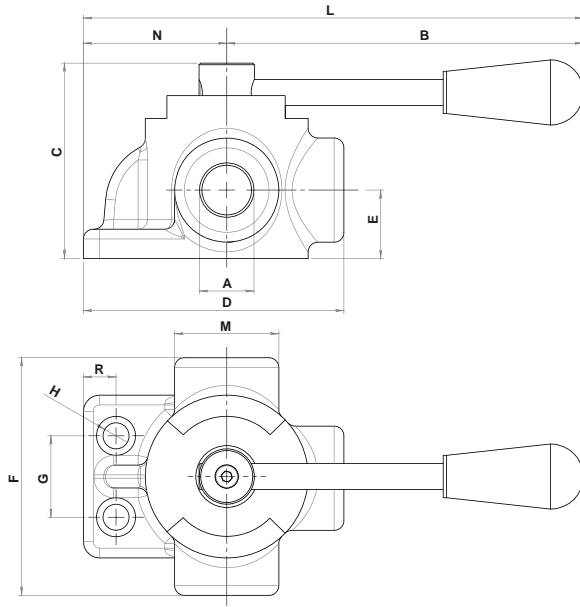
01	1/4
02	3/8
03	1/2
04	3/4
05	1"
06	1" 1/4
07	1" 1/2

Hydraulic symbol

L	L Ported
T	T Ported

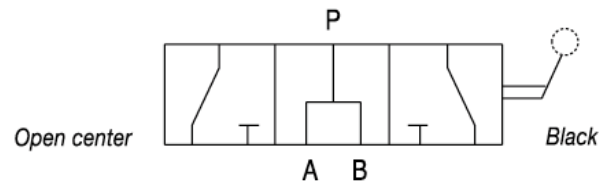
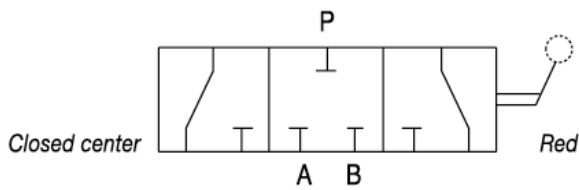
Ordering Code Example: **BV3W02L** - 3/8" BSP Ports, L ported.

Dimensions



Size	A BSP	B	C	D	E	F	G	H	L	M	N	R	Weight kg
01	1/4	128	62	77	21	73	24	8,5	169	35	41		0,95
02	3/8	128	62	77	21	73	24	8,5	169	35	41		0,89
03	1/2	128	70	96	25	85	32	10,5	180	40	52		1,45
04	3/4	125	80	100	28	90	32	10,5	180	45	55		1,82
05	1	140	90	115	32,5	96	32	11	207	56	67		2,50
07	1-1/2	140	115	145	44	130	43	11	220	80	80		6,20

Hydraulic Symbol



Ordering Code

FD3W

--

-

Port Size BSP

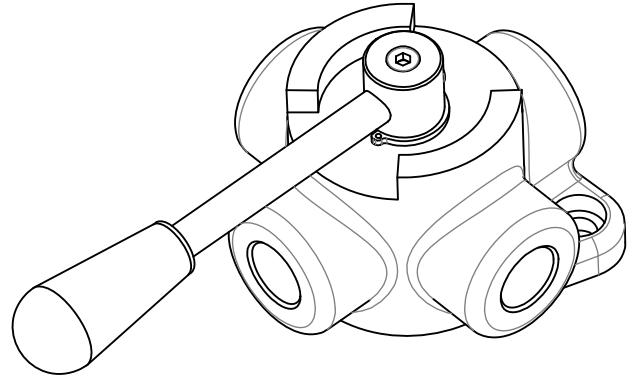
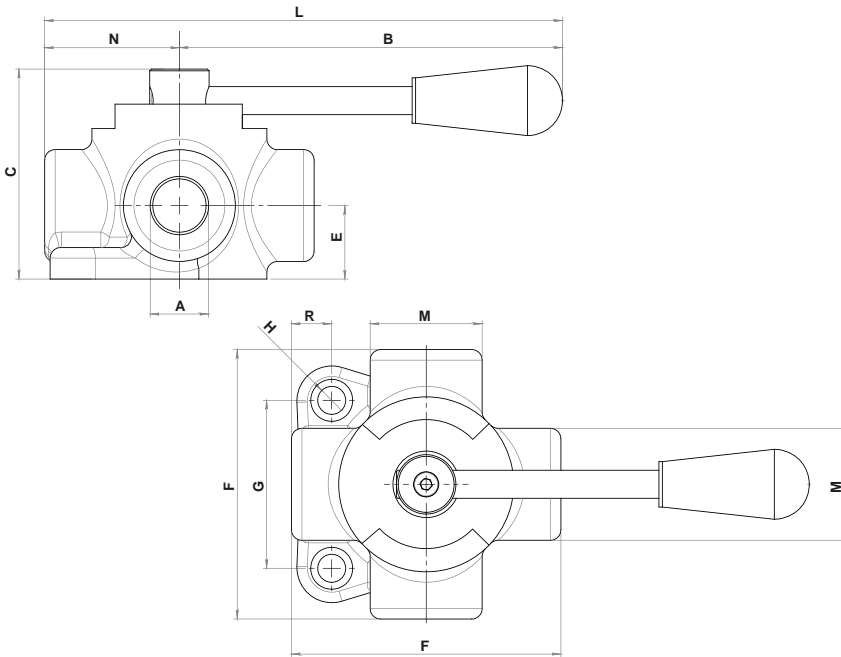
01	1/4
02	3/8
03	1/2
04	3/4
05	1"
07	1" 1/2

Hydraulic symbol

O	Open Center
C	Closed Center

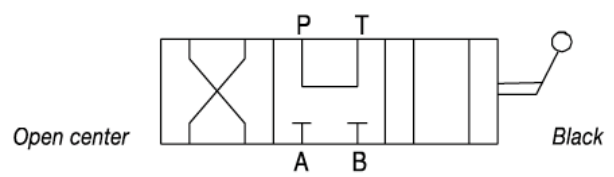
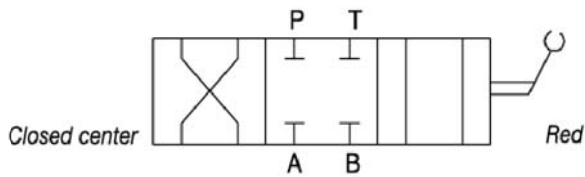
Ordering Code Example: FD3W02O - 3/8" BSP Ports, open center.

Dimensions



Size	A BSP	B	C	E	F	G	H	L	M	N	R	Weight kg	Max Pressure bar
01	1/4	126	70	24	77	53,5	8,5	165	35	39	11	1,33	
02	3/8	126	70	24	77	53,5	8,5	165	35	39	11	1,27	
03	1/2	123	80	28	90	68	8,5	168	42	45	10	1,87	
04	3/4	145	90	32	95	74	8,5	195	49	50	12	2,50	

Hydraulic Symbol



Ordering Code

FD4W

--

-

Port Size BSP

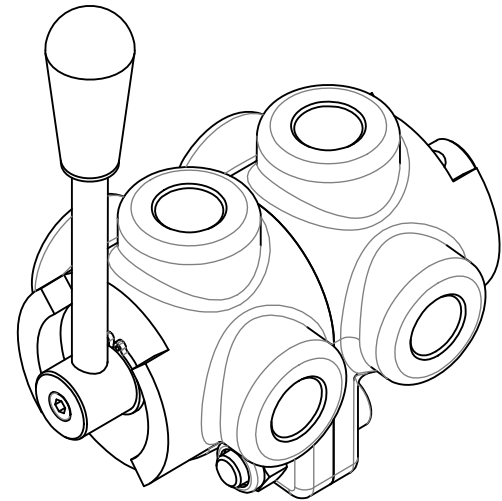
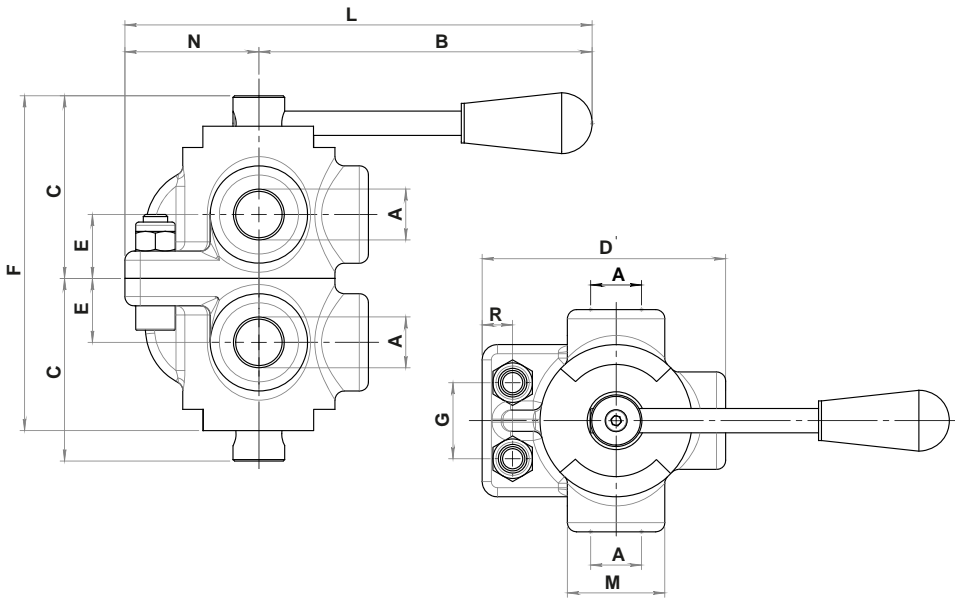
01	1/4
02	3/8
03	1/2
04	3/4

Hydraulic symbol

O	Open Center
C	Closed Center

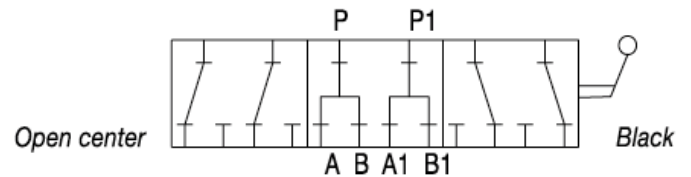
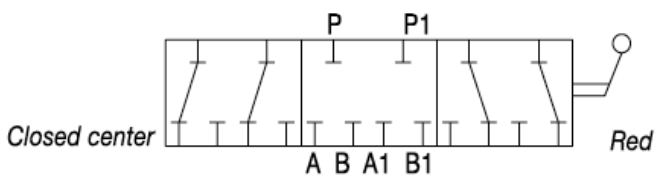
Ordering Code Example: FD4W03C - 1/2" BSP Ports, closed center.

Dimensions



Size	A BSP	B	C	D	E	F	G	L	M	N	R	Weight kg
01	1/4	128	62	77	21	146	24	169	35	41		1,90
02	3/8	128	62	77	21	146	24	169	35	41		1,78
03	1/2	128	70	96	25	170	32	180	40	52		2,90
04	3/4	125	80	100	28	180	32	180	45	55		3,64
05	1	140	90	115	32,5	192	32	207	56	67		5,00

Hydraulic Symbol



Ordering Code

FD6W

--

-

Port Size BSP

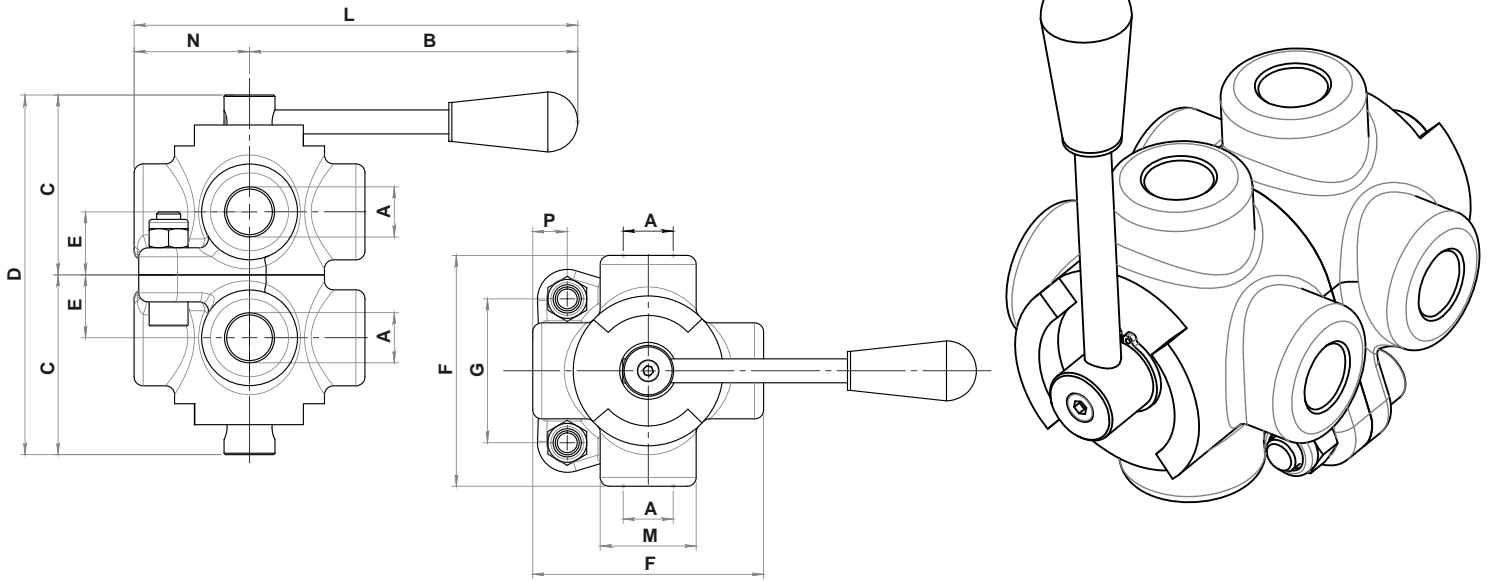
01	1/4
02	3/8
03	1/2
04	3/4
05	1"

Hydraulic symbol

O	Open Center
C	Closed Center

Ordering Code Example: FD6W04C - 3/4" BSP Ports, closed center.

Dimensions



Size	A BSP	B	C	D	E	F	G	L	M	N	R
01	1/4	126	70	140	24	77	53,5	165	35	39	11
02	3/8	126	70	140	24	77	53,5	165	35	39	11
03	1/2	123	80	160	28	90	68	168	42	45	10
04	3/4	145	90	180	32	95	74	195	49	50	12

Hydraulic Symbol



Ordering Code

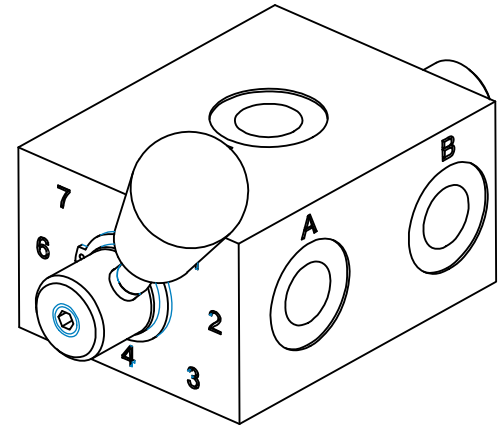
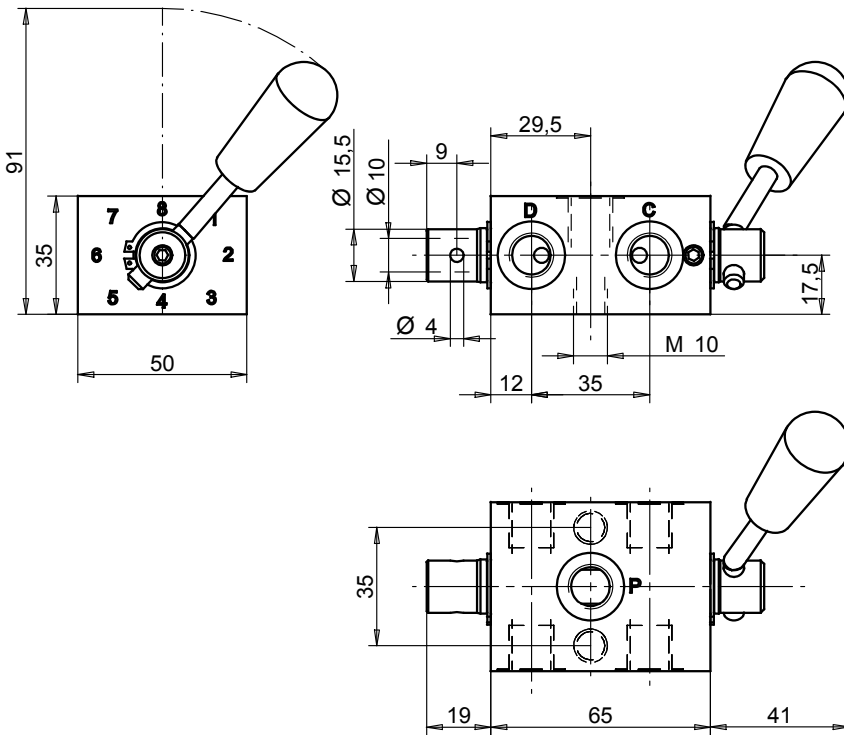
FD8W -- -

Port Size BSP	
01	1/4
02	3/8
03	1/2
04	3/4

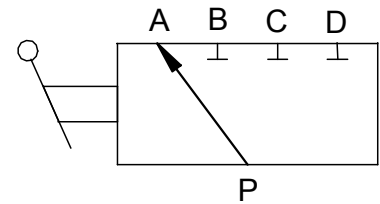
Hydraulic symbol	
O	Open Center
C	Closed Center

Ordering Code Example: FD8W02O - 3/8" BSP Ports, open center.

Dimensions



Hydraulic Symbol



Features

Max Flow	40 lpm
Max Pressure	350 bar
Ports	P-A-B-C-D: G 1/4

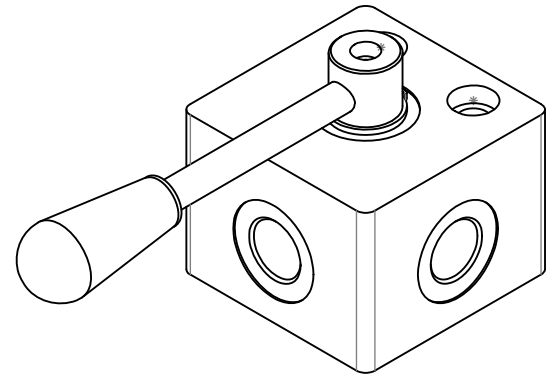
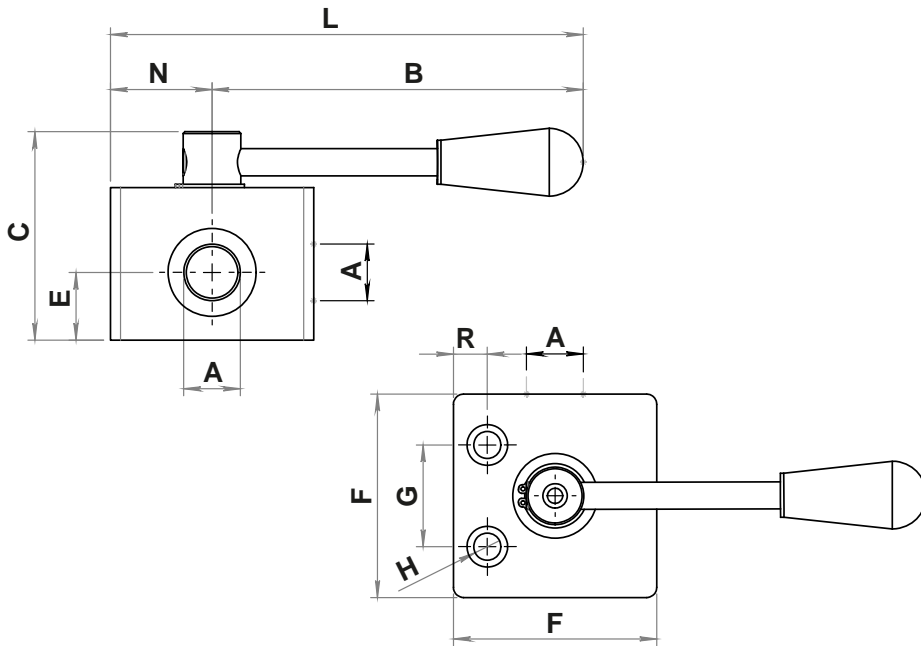
1	P ↔ Open → A	5	P ↔ Open → C
2	Closed	6	Closed
3	P ↔ Open → B	7	P ↔ Open → D
4	Closed	8	Closed

Materials: Zinc plated steel manifold, hardened steel inner parts.

Ordering Code

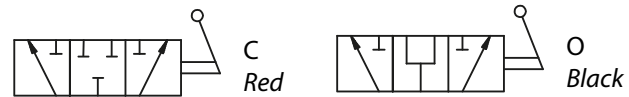
DEV58 01

Dimensions



Size	A BSP	B	C	E	F	G	H	L	N	R	Weight kg
01	1/4	127	68	20	60	30	8,5	155	30	10	1,1
02	3/8	127	68	20	60	30	8,5	155	30	10	1,1
03	1/2	127	68	20	60	30	8,5	155	30	10	1,06
04	3/4	127	68	20	80	32	8,5	165	40	14	1,7
05	1	127	68	20	100	37	8,5	187	50	14	3,5

Hydraulic Symbol



Features

Size	01	02	03	04	05
Max Pressure	400 bar	400 bar	400 bar	400 bar	400 bar
Flow	40 lpm	60 lpm	90 lpm	120 lpm	190 lpm
Ports	G 1/4	G 3/8	G 1/2	G 3/4	G 1

Ordering Code

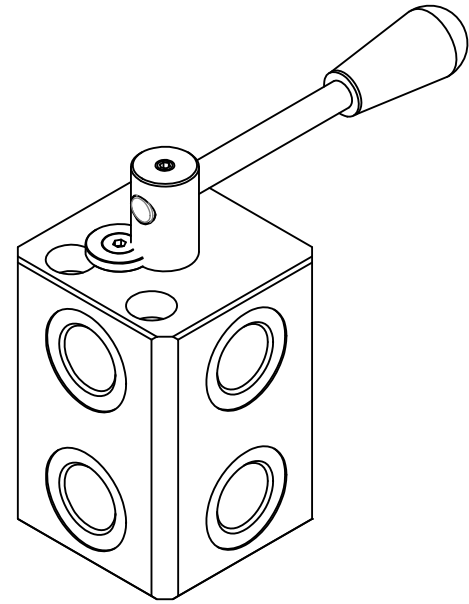
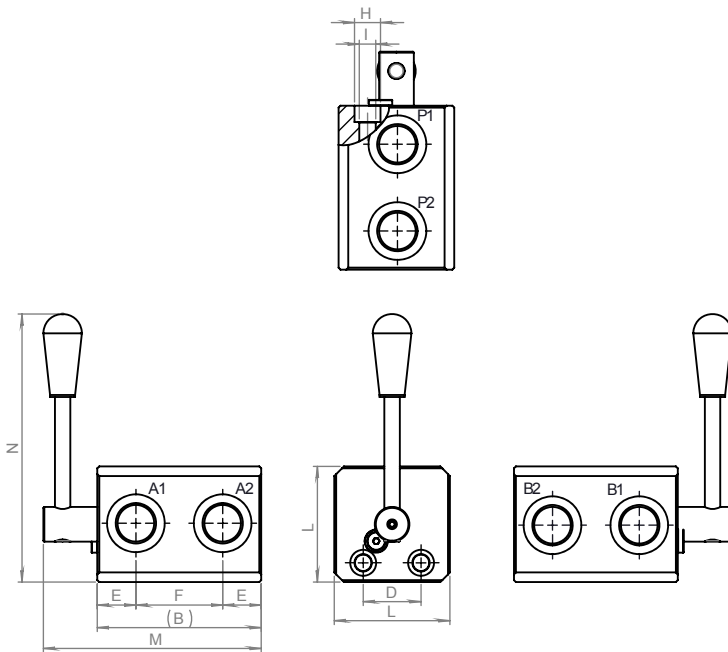
DEV32 -- -

	Port Size BSP
01	1/4
02	3/8
03	1/2
04	3/4
05	1

Hydraulic symbol	
O	Open Center
C	Closed Center

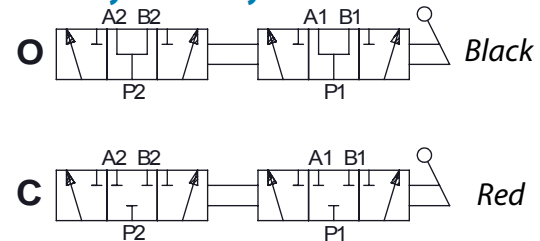
Ordering Code Example: DEV3203C - 1/2" BSP Ports, closed center.

Dimensions



Size	BSP	B	D	E	F	H	I	L	M	N	Weight (kg)
02	3/8	85	30	20	45	13,5	8,5	60	113	125	2,13
03	1/2	85	30	20	45	13,5	8,5	60	113	125	2,10
04	3/4	85	30	20	45	13,5	8,5	80	113	125	3,67

Hydraulic Symbol



Features

Size	02	03	04
Max Pressure	350 bar	350 bar	350 bar
Flow	60 lpm	90 lpm	120 lpm

Ordering Code

DEV62 -- -

Port Size BSP

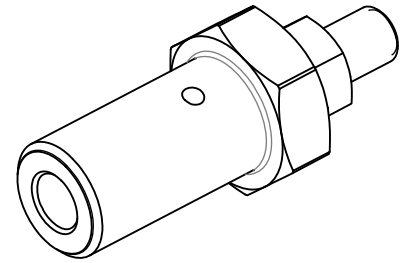
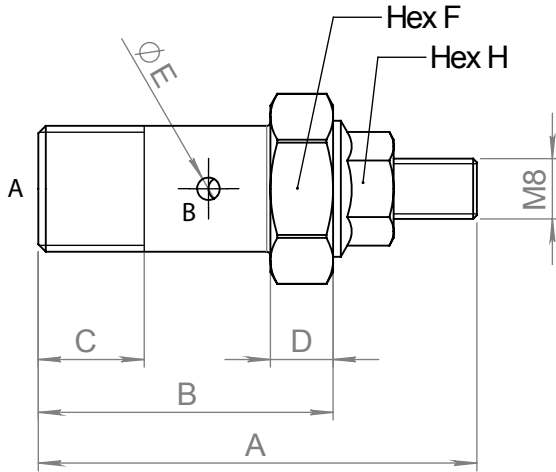
02	3/8
03	1/2
04	3/4

Hydraulic symbol

O	Open Center
C	Closed Center

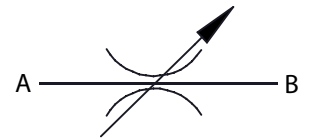
Ordering Code Example: DEV6202C - 3/8" BSP Ports, closed center.

Dimensions



Size	A	B	C	D	E	F	H	Weight kg
01	53	36	14	7,25	2,5	19	13	0,048
02	58	39	14	8,30	3	22	13	0,076
03	64	46	16	8,30	4	27	13	0,120

Hydraulic Symbol



Curves

Features

Materials: Zinc plated steel cartridge

Ordering Code

THR

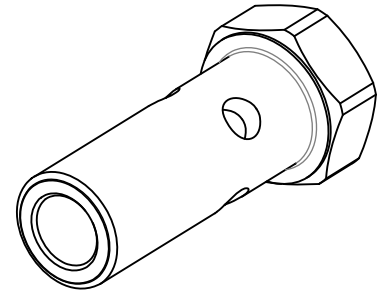
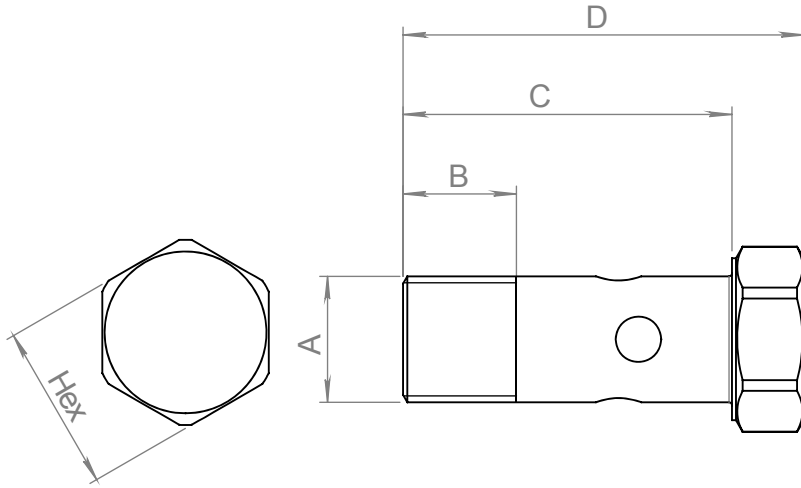
--

Screw Size BSP

01	1/4
02	3/8
03	1/2

Ordering Code Example: THR02 = 3/8 Screw Size

Dimensions



Size	A	B	C	D	Hex	Weight kg
14	1/4	13	26	33	19	0,030
38	3/8	15	31	39	22	0,056
12	1/2	18	38	46	27	0,087

Hydraulic Symbol

Curves

Features

Materials: Zinc plated steel.

Ordering Code

BOLT

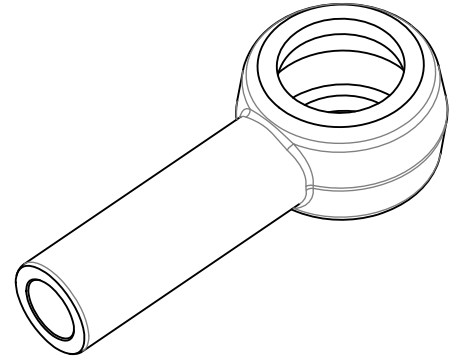
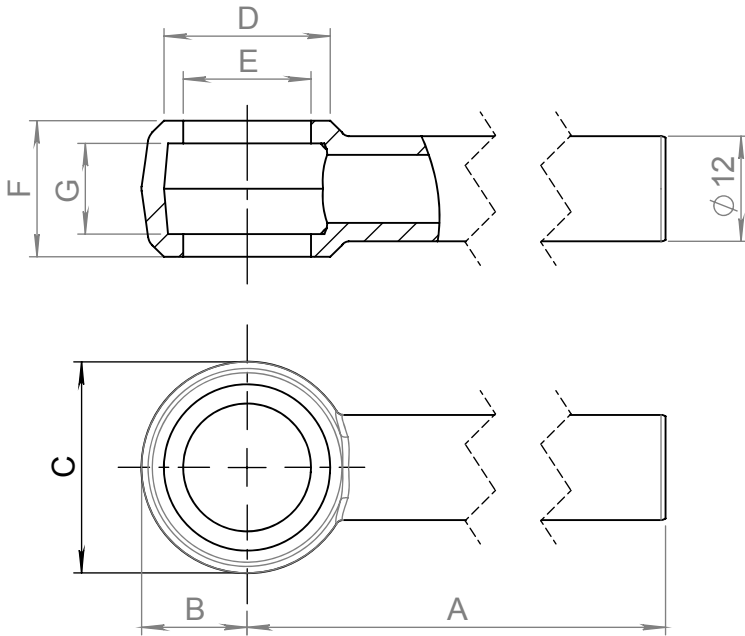
--

Screw Size BSP

14	1/4
38	3/8
12	1/2

Ordering Code Example: THR02 = 3/8 Screw Size

Dimensions



Hydraulic Symbol

Size	A	B	C	D	E	F	G
14	*	10	24	17	13	15	9
38	*	12	28	22	16,9	18	7

* For dimension **A**, see the **Ordering Code** section below.

Materials: Zinc plated steel.

Ordering Code

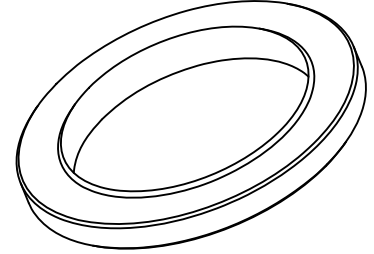
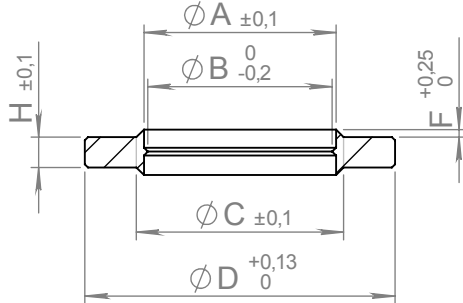
TUBE -- **12** --

Screw Size BSP	
14	1/4
38	3/8

Center to center Lenght (mm)	14	38
	A	A
38	38	-
40	-	40
45	45	-
60	60	60
100	100	100
150	150	150
200	200	200
250	250	250
300	300	300
350	350	350
400	400	400
450	450	450
500	500	500

Ordering Code Example: TUBE3812350 = Tube Size 3/8", Ø 12 mm, "A" lenght (center to center) 350 mm.

Dimensions



Size	THREAD BSP	A	B	C	D	F	H	MINIMUM BURST PRESSURE (bar)
01	1/4	13,74	11,45	15,21	20,57	0,3	2,1	1550
02	3/8	17,28	14,96	18,75	23,80	0,3	2,1	1260
03	1/2	21,54	18,64	23,01	28,58	0,4	2,5	1150
04	3/4	27,05	24,13	28,53	34,93	0,4	2,5	1060
05	1	33,89	30,30	36,88	42,80	0,5	3,4	790
06	1-1/4	42,93	38,96	45,93	52,38	0,5	3,4	690
07	1-1/2	48,44	44,86	51,39	58,60	0,5	3,4	690

Curves

Features

Materials: Zinc plated steel ring, BUNA-N seals

Ordering Code

BS **--**

	Size BSP
01	1/4
02	3/8
03	1/2
04	3/4
05	1
06	1 1/4
07	1 1/2



Via Giovanni Falcone, 10/A
42020 Borzano di Albinea
Reggio Emilia, Italy

Tel +39 0522 347247
Fax +39 0522 347259

ofc@ofc-hydraulics.com
www.ofc-hydraulics.com